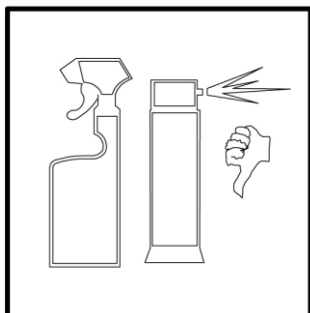
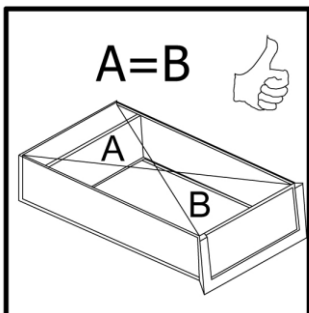
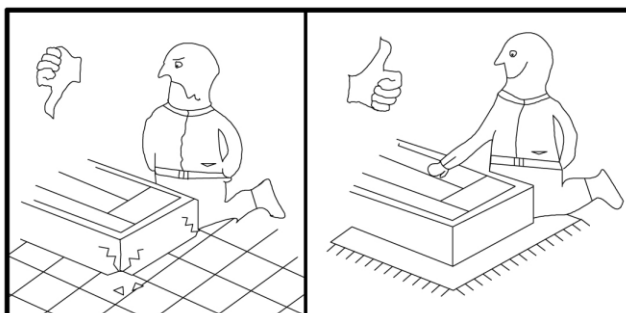
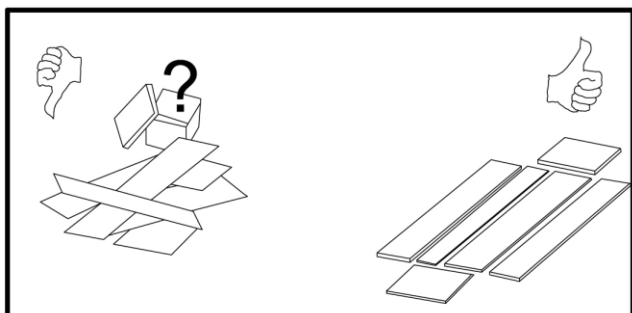
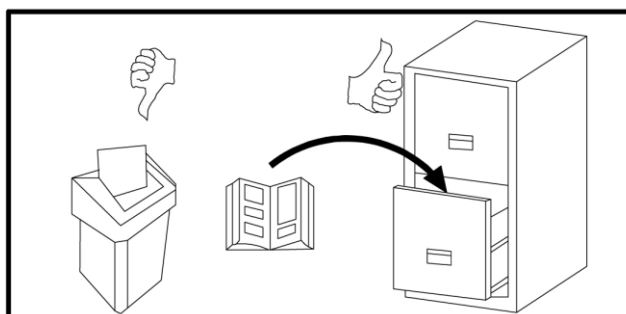
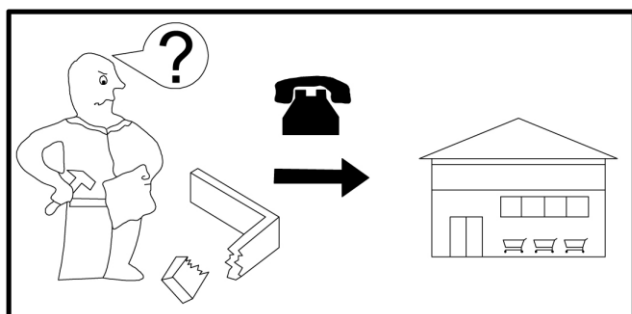
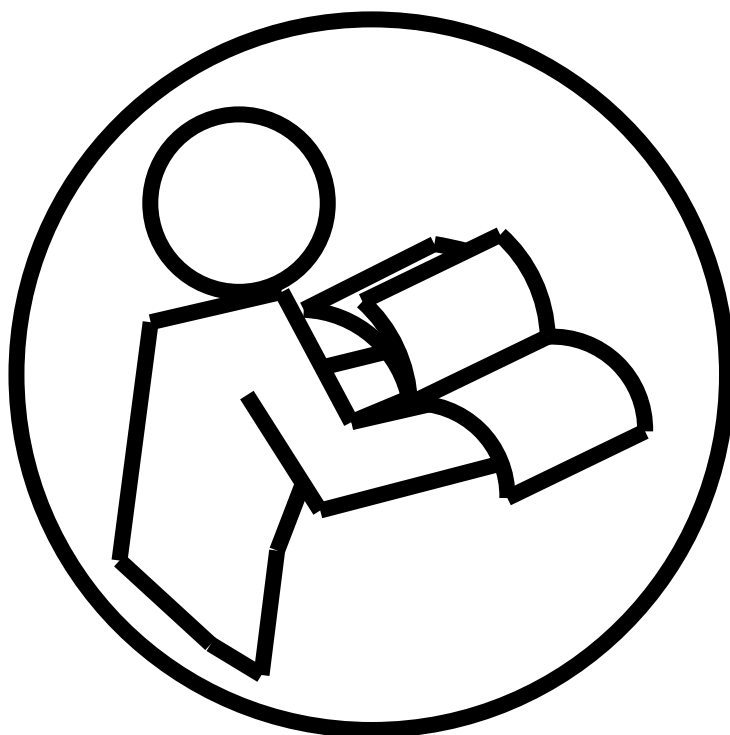
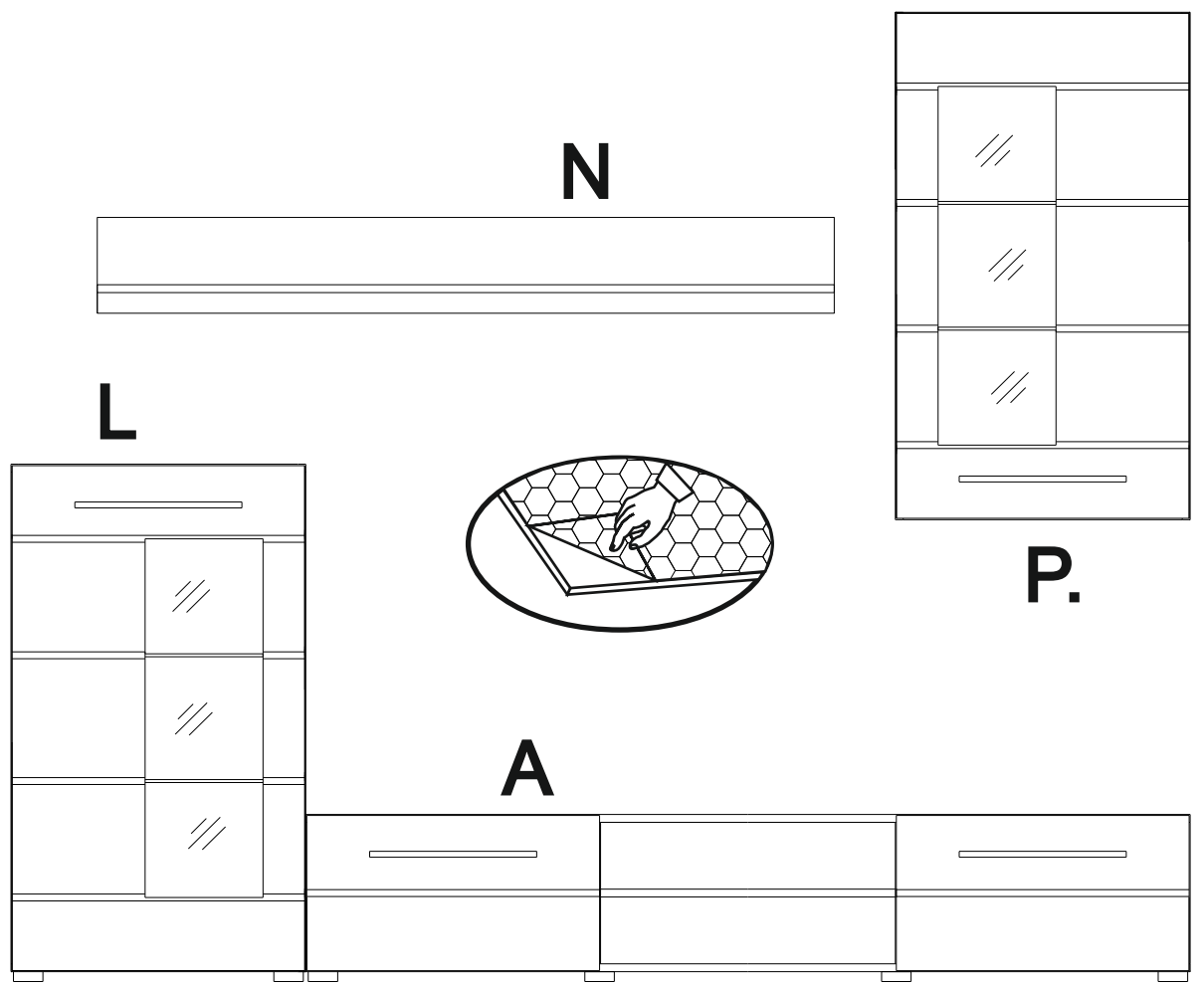
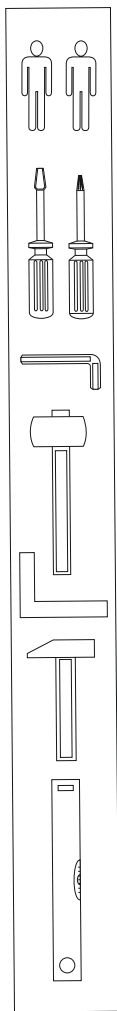



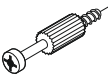


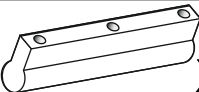
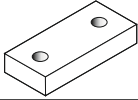


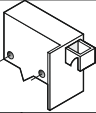
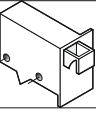

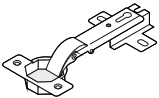


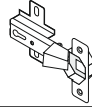
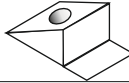


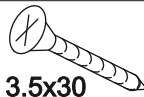
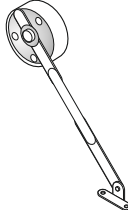
# ENRIQUE 1 o. Bel.


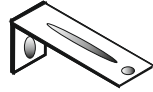
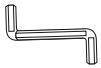

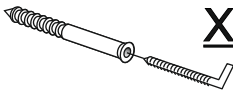





1	 8x35	<u>X 32</u>
22	 7x50	<u>X 18</u>
22A		<u>X 18</u>
2		<u>X 20</u>
9		<u>X 20</u>
9A		<u>X 20</u>
3		<u>X 4</u>

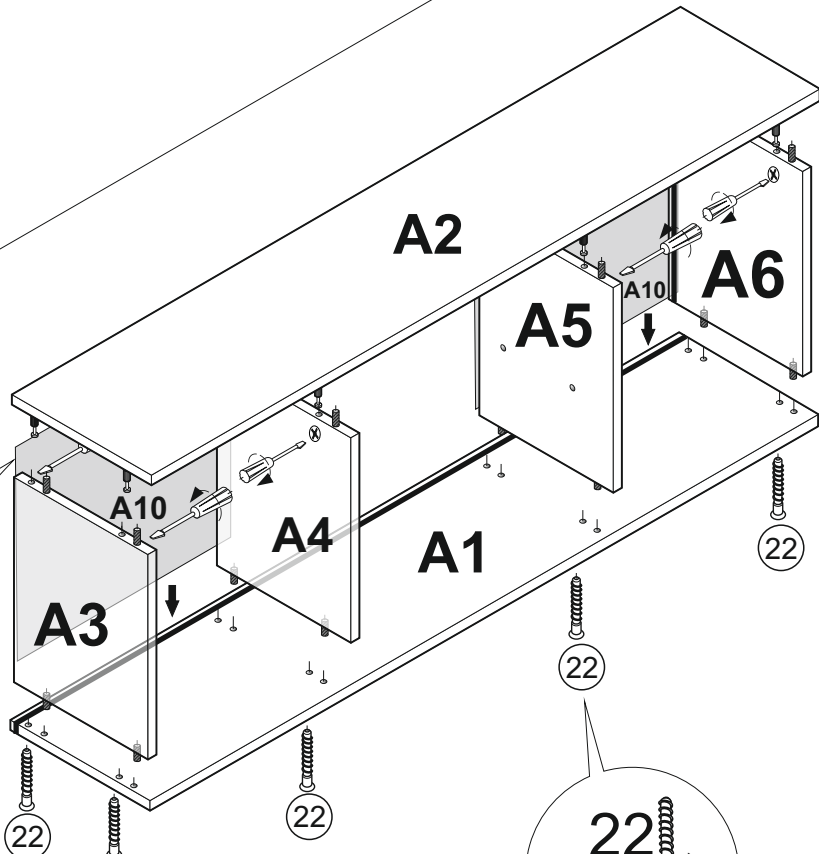
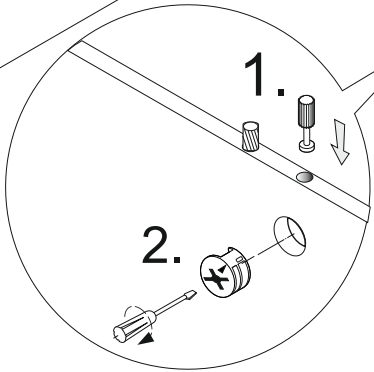
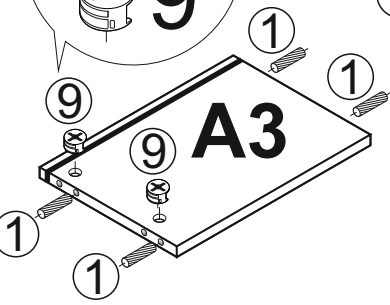
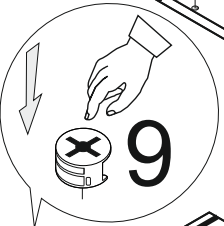
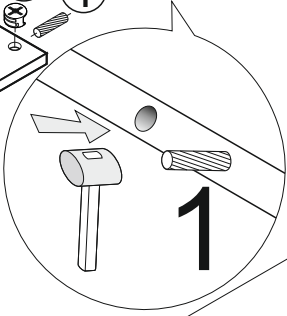
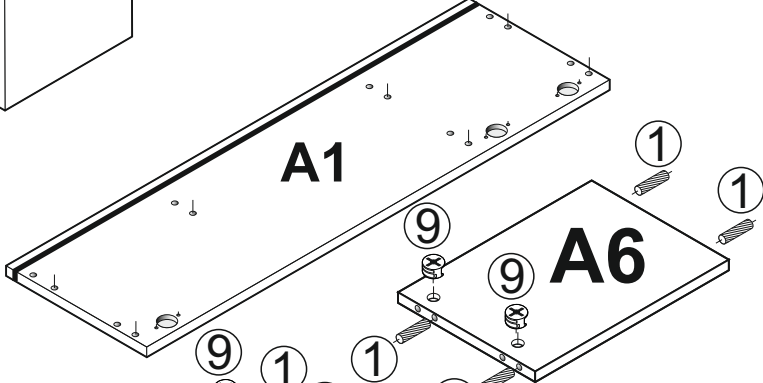
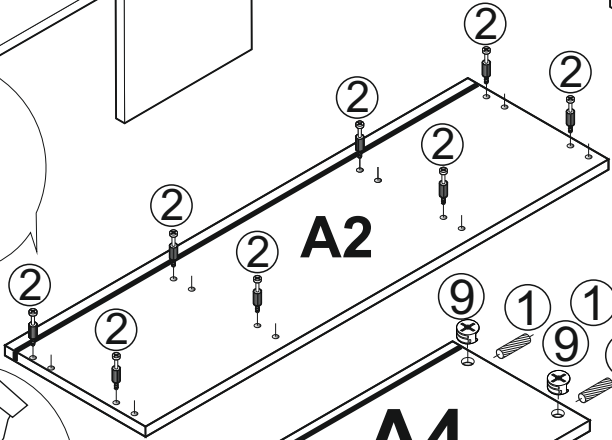
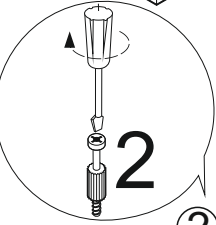
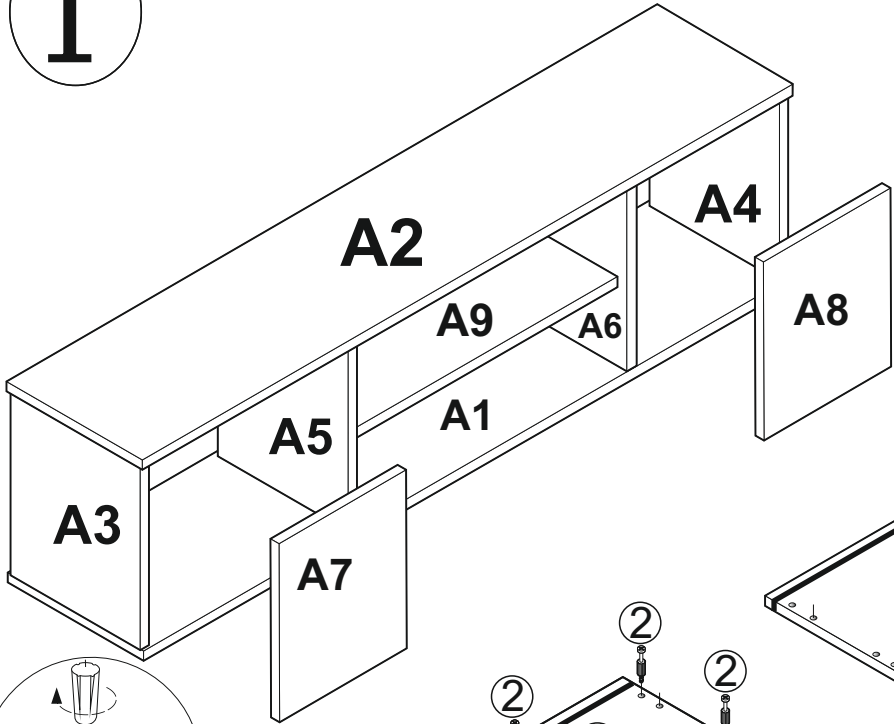
10		<u>X 10</u>
13		<u>X 4</u>
14		<u>X 16</u>
17		<u>X 1</u>
18		<u>X 1</u>
72		<u>X 2</u>
5		<u>X 4</u>

29		<u>X 4</u>
38		<u>X 22</u>
39	 3x20	<u>X 54</u>
42	 3.5x13	<u>X 7</u>
21	 3.5x30	<u>X 4</u>
71		<u>X 2</u>

40		<u>X 16</u>
41		<u>X 1</u>
26		<u>X 1</u>
6	 5x11	<u>X 46</u>
80		<u>X 5</u>
4	 3.5x30	<u>X 12</u>

# I

A1 / A2	1801mm x 413mm
A3 / A4	288mm x 413mm
A5 / A6	288mm x 393mm
A7 / A8	316mm x 596mm



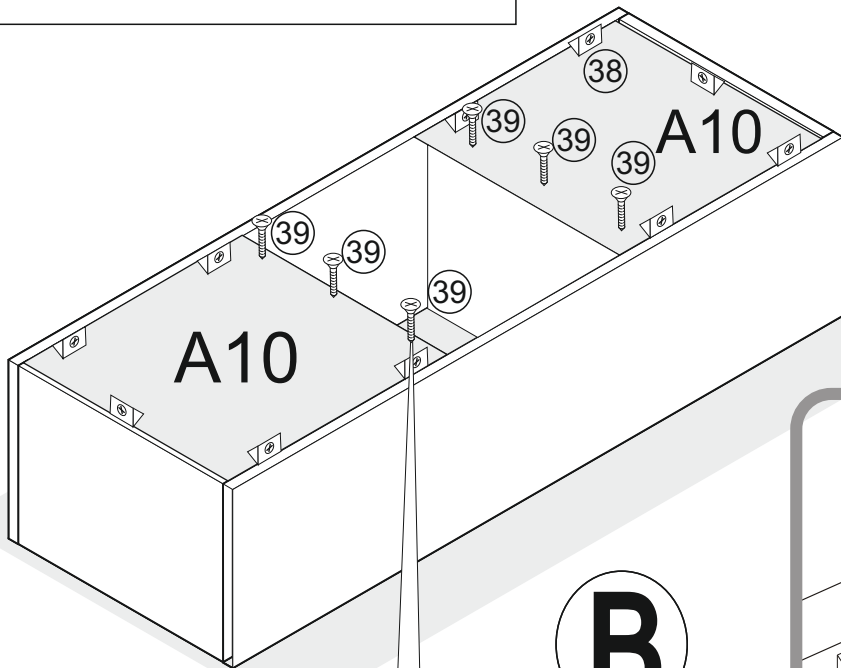
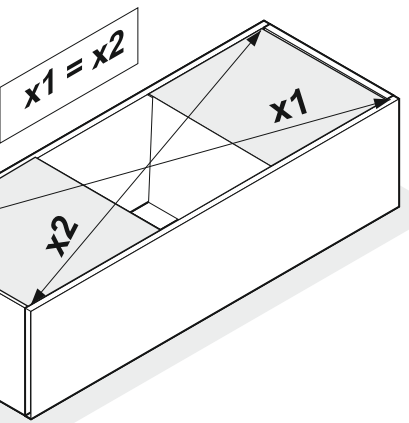
# II



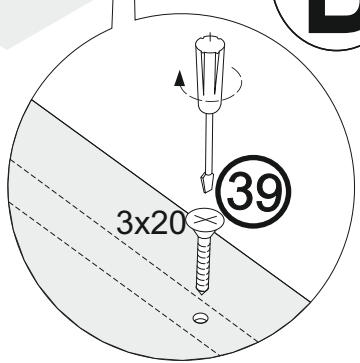
# III

A10 298mm x 586mm

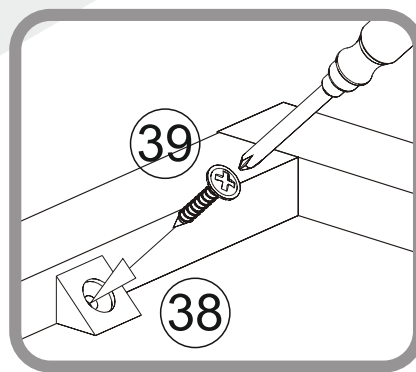
## A



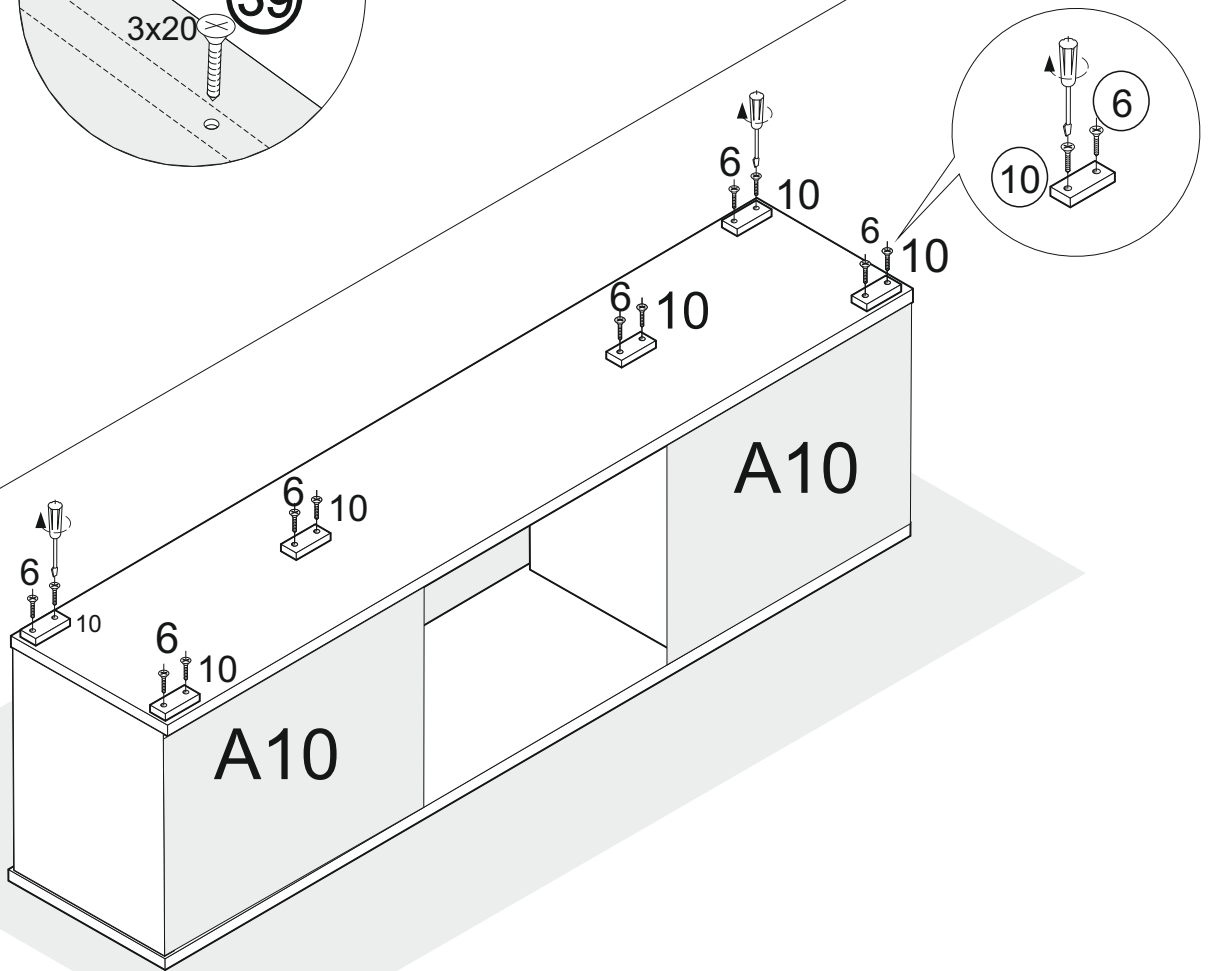
## B



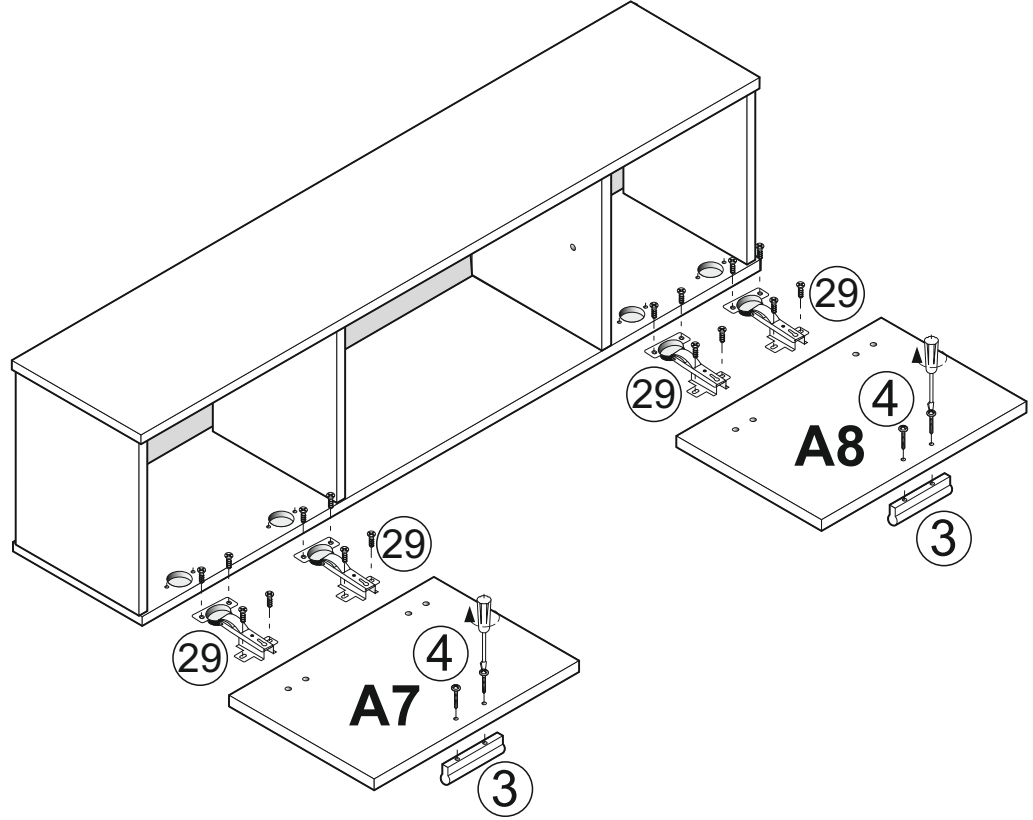
## C



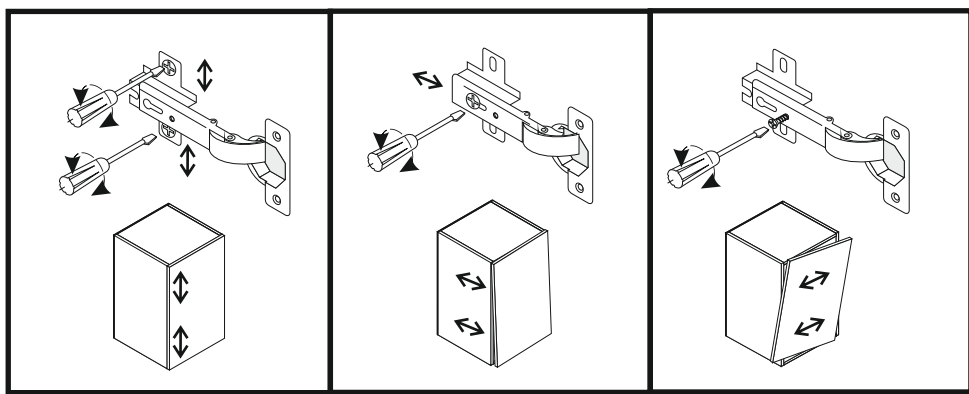
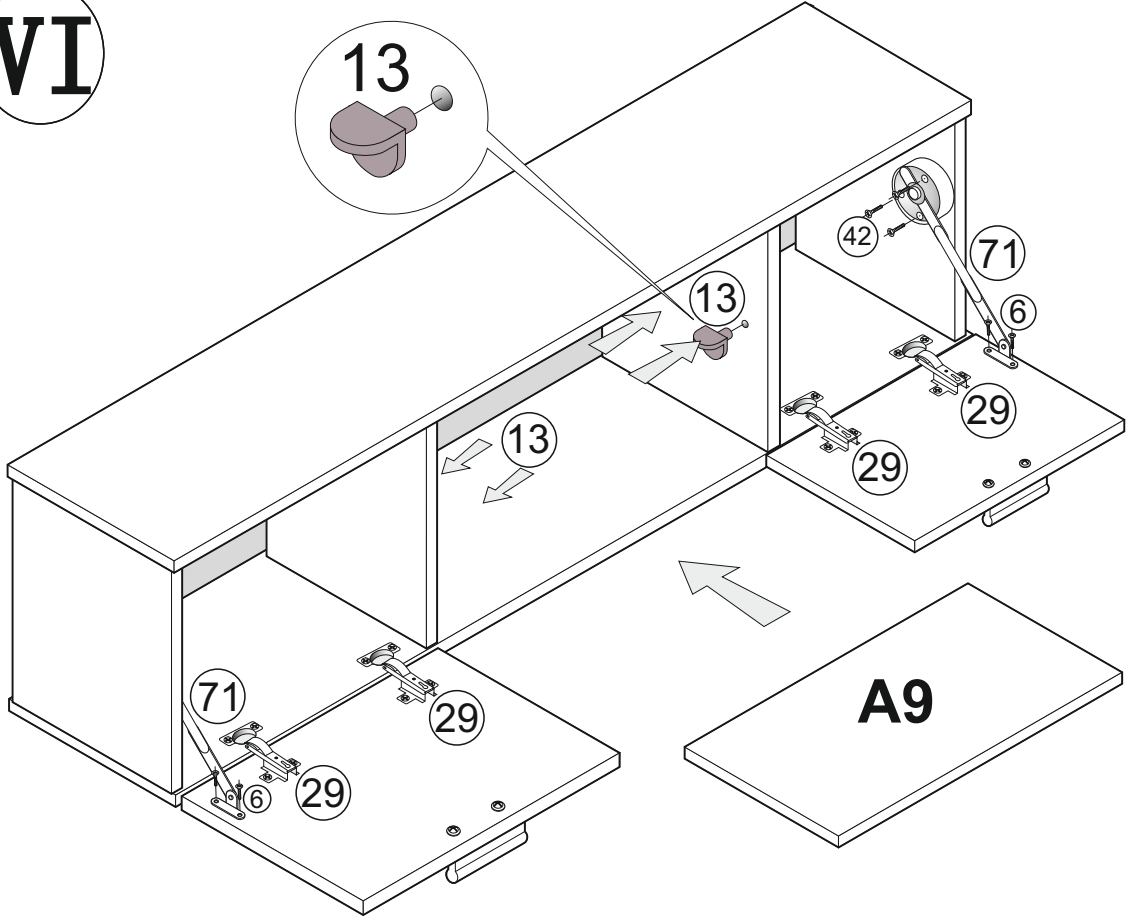
# IV



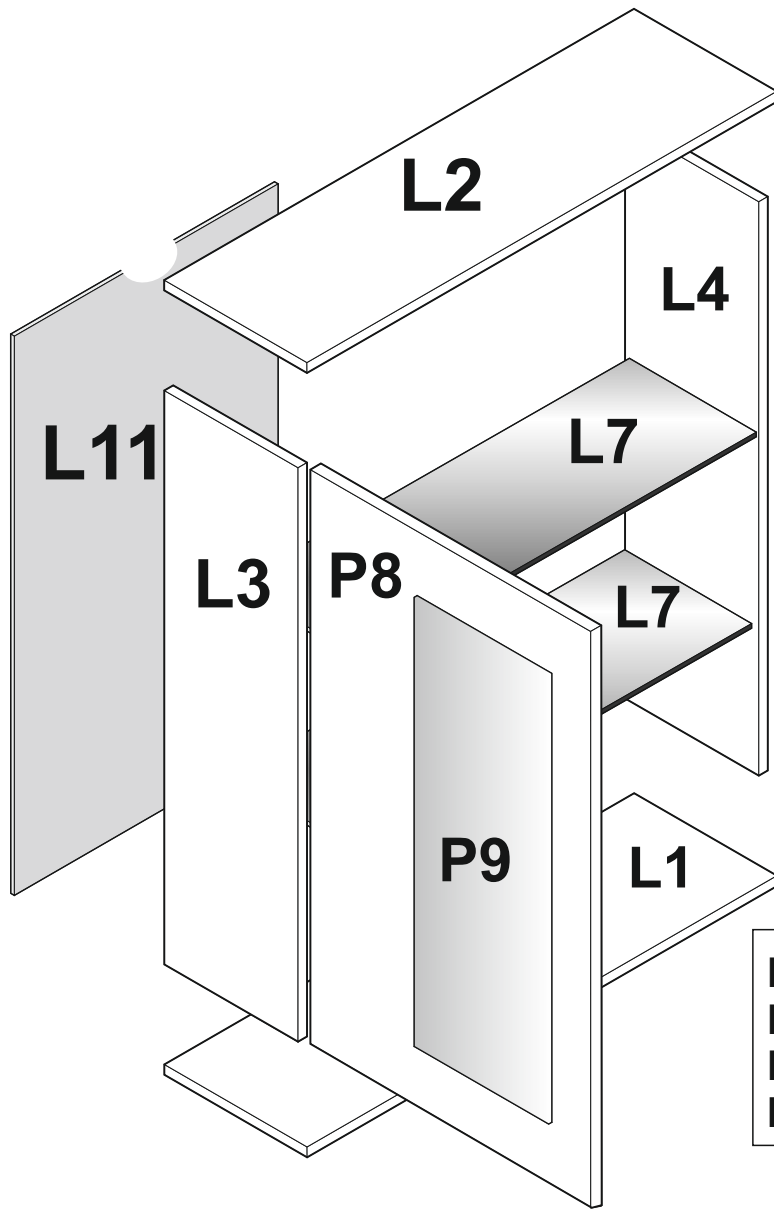
# V



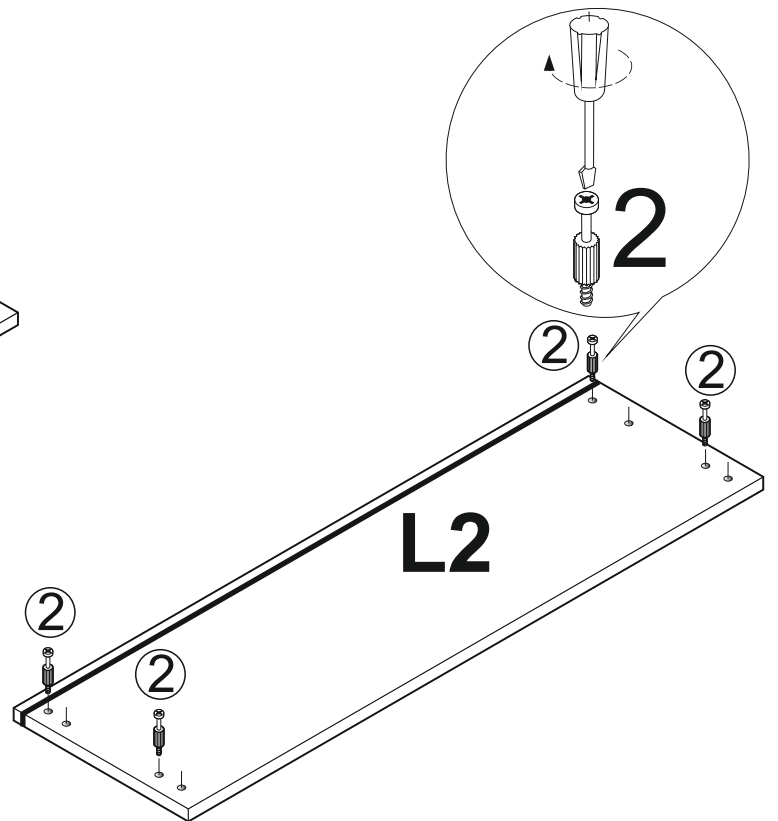
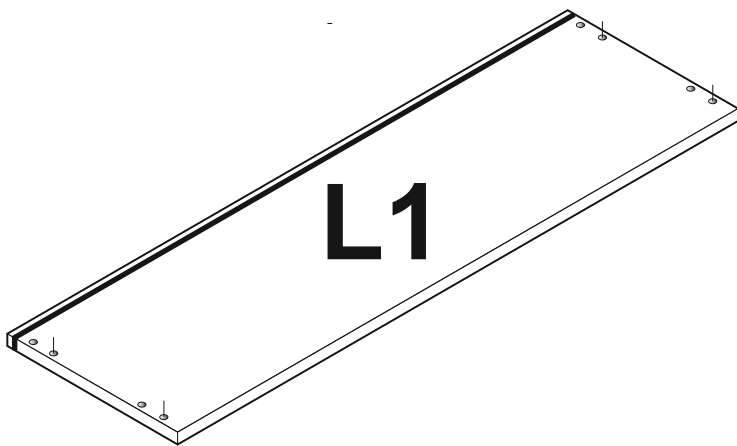
# VI



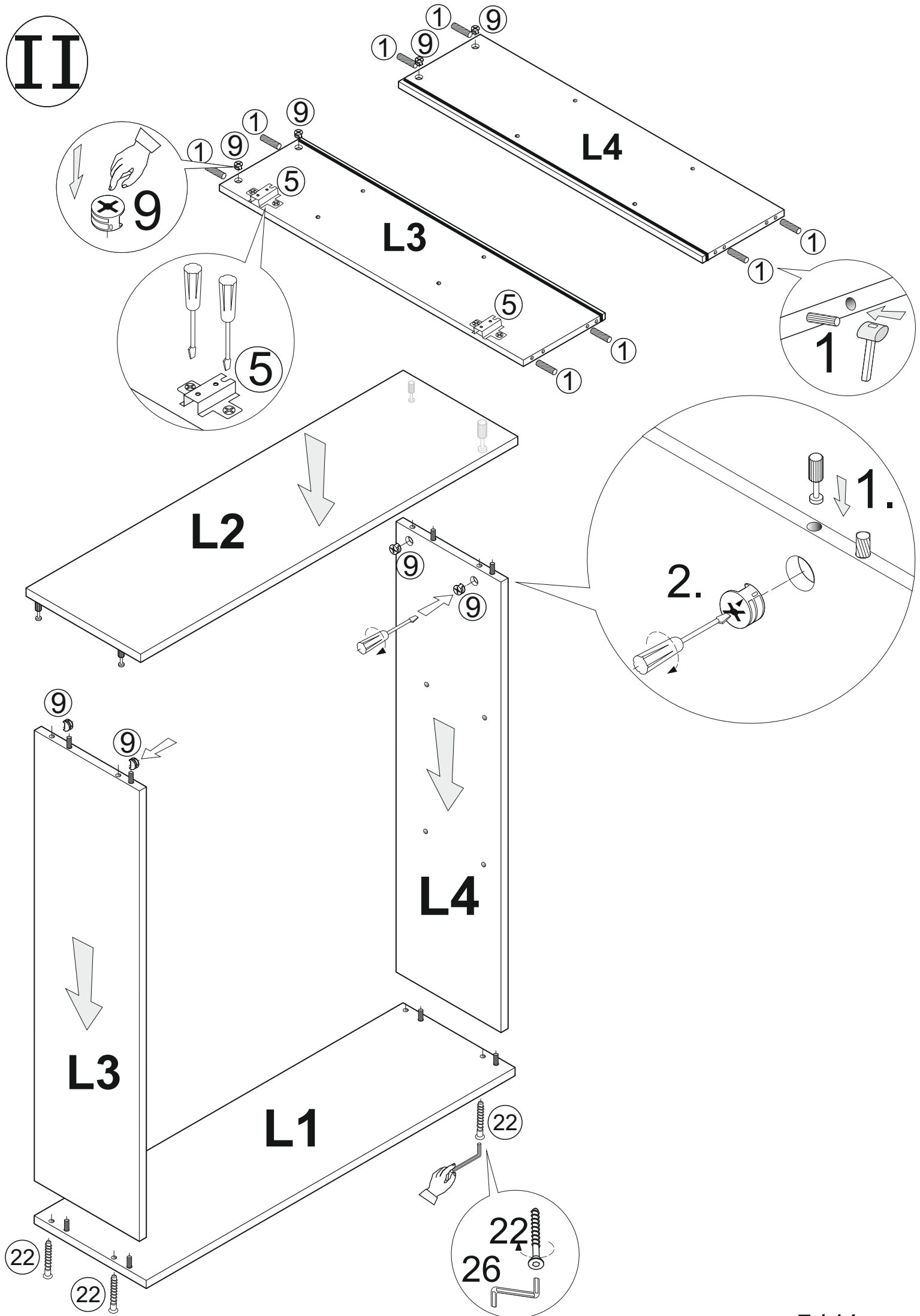
I



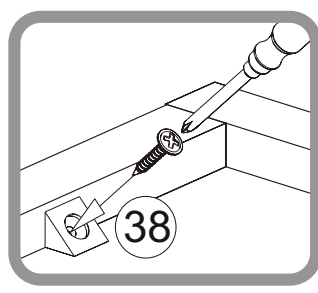
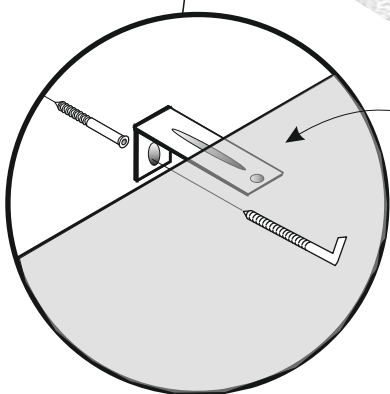
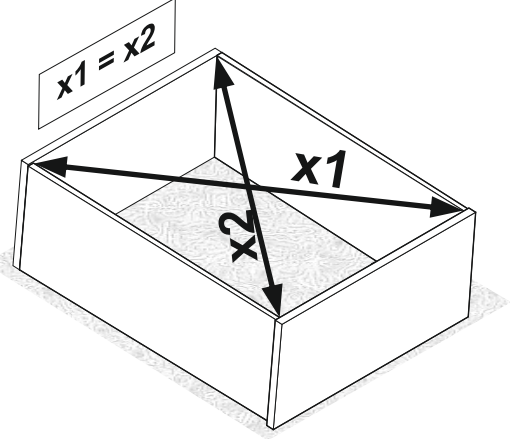
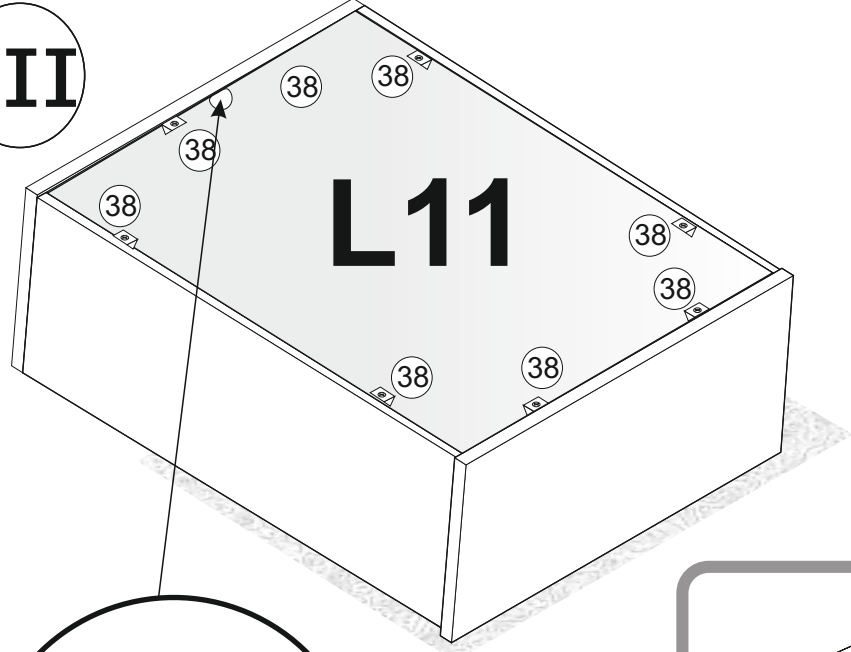
L1 / L2	601mm x 334mm
L3 / L4	1002mm x 334mm
L11	1012mm x 578mm
P8	1028mm x 596mm



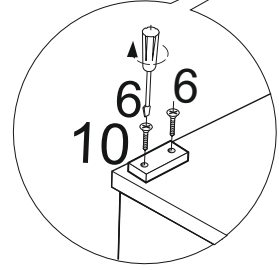
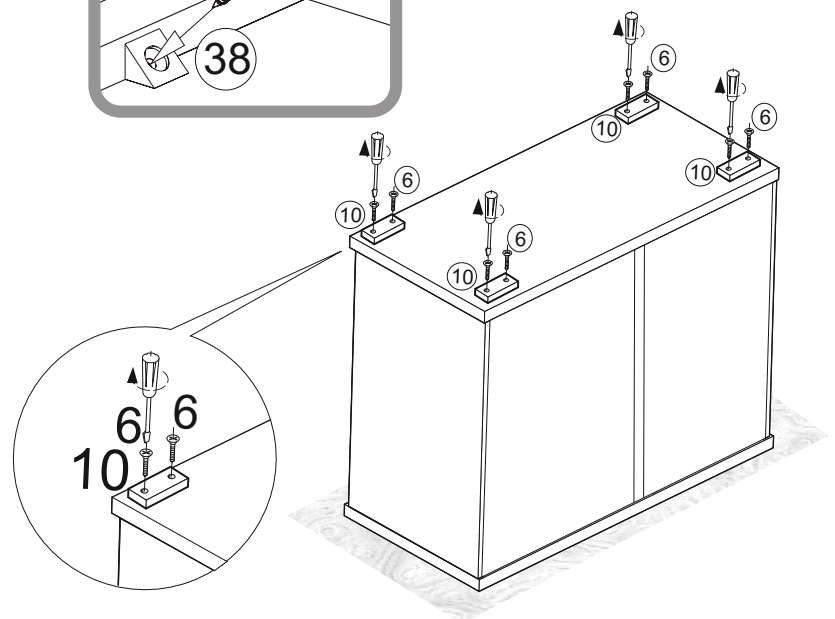
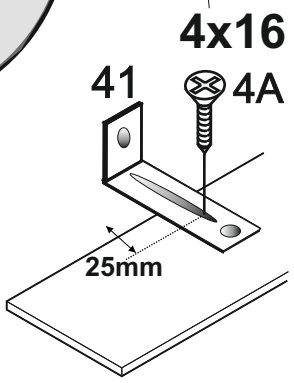
# II



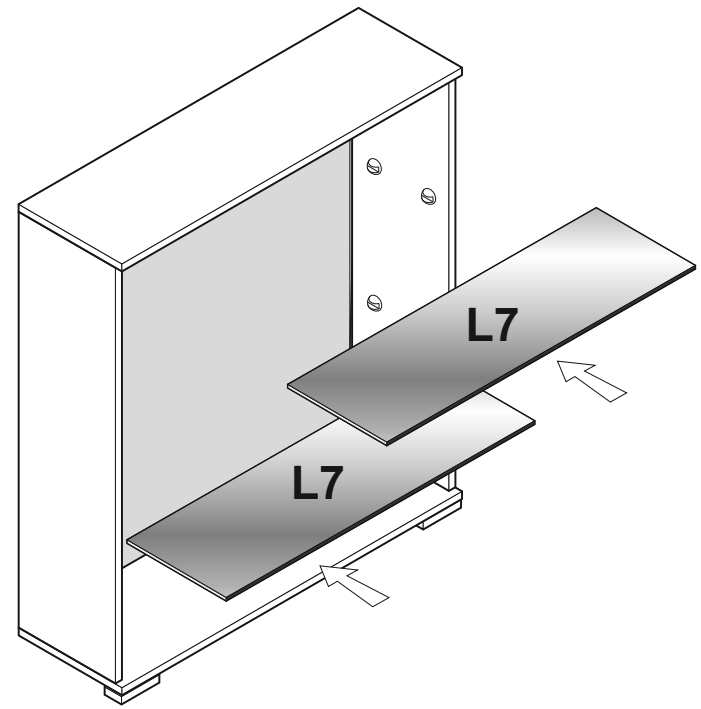
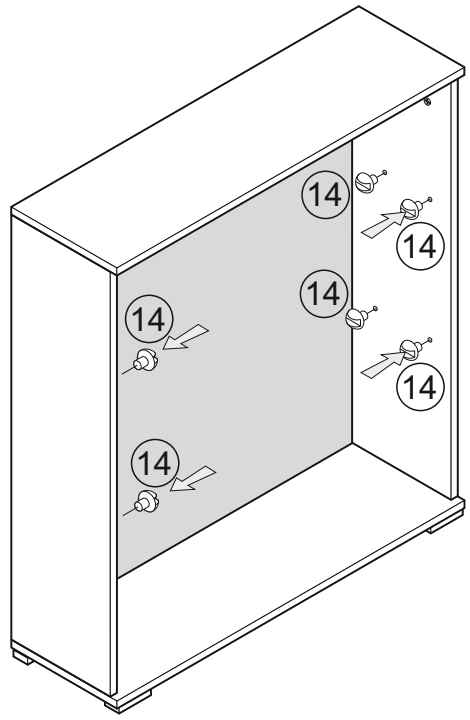
# III



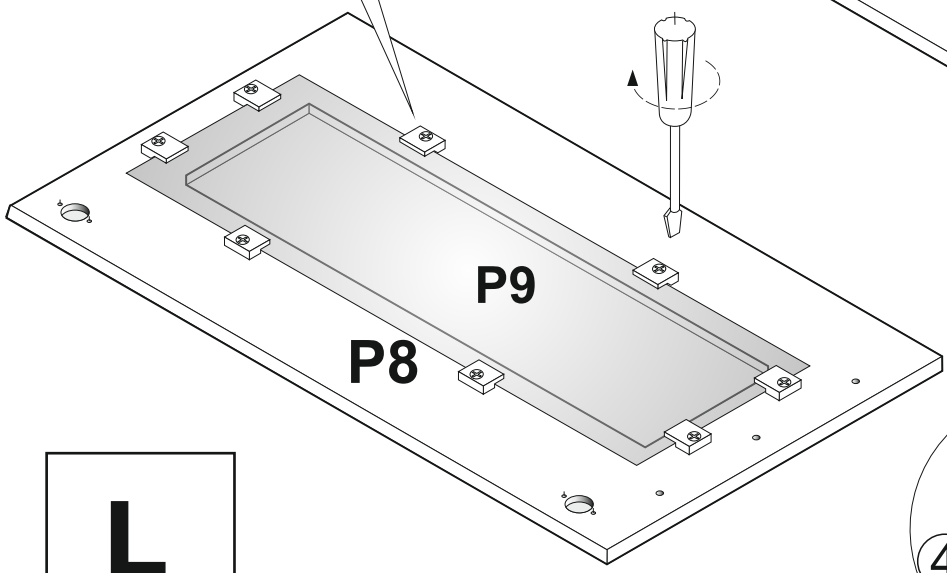
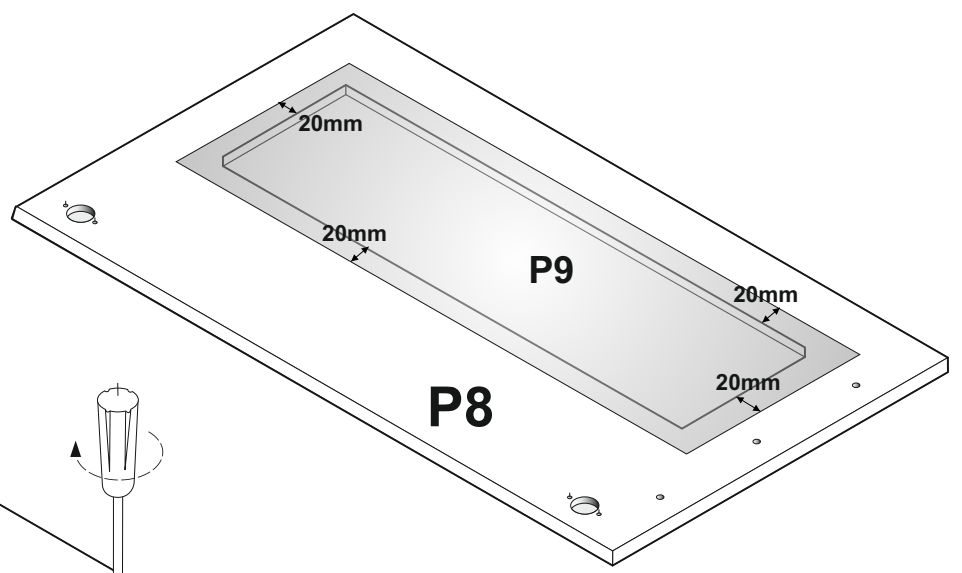
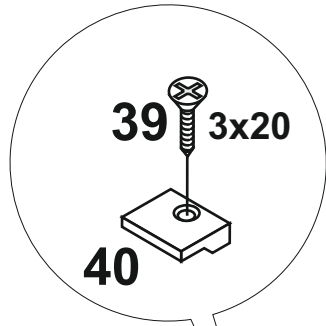
41		X 1
4A		X 1



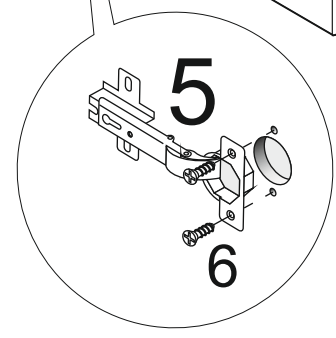
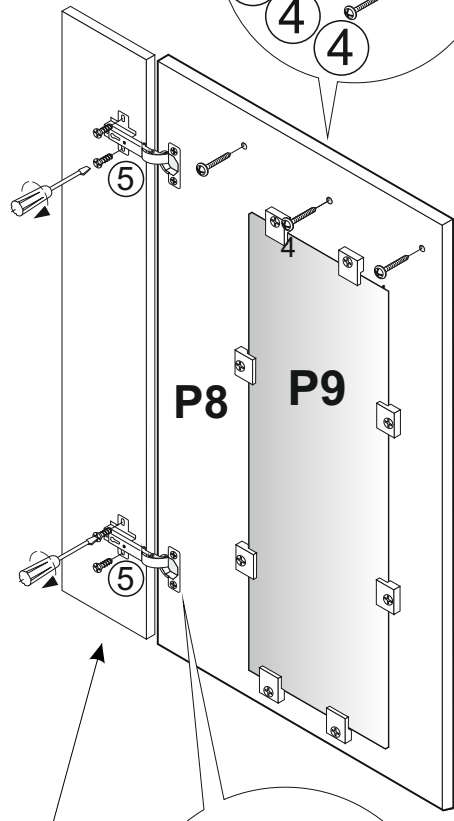
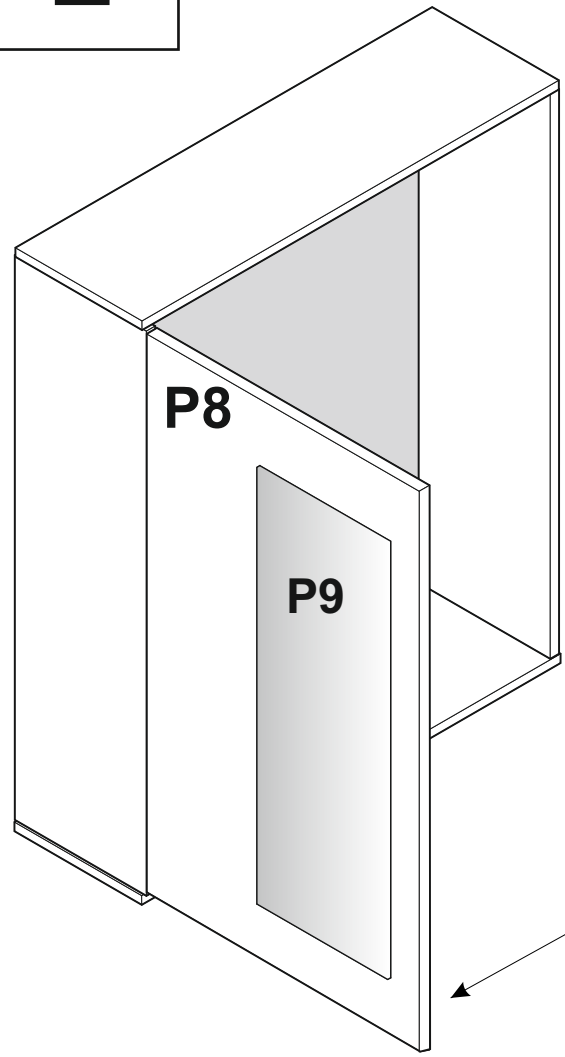
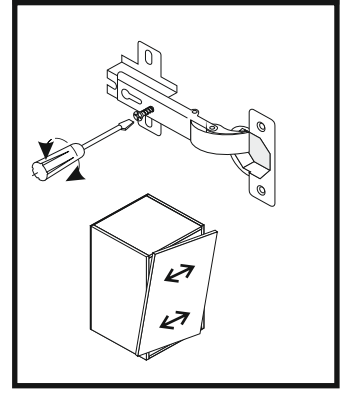
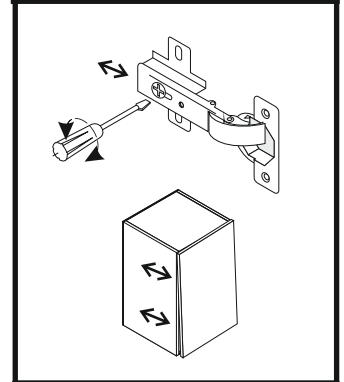
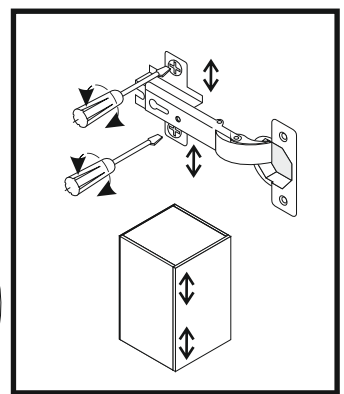
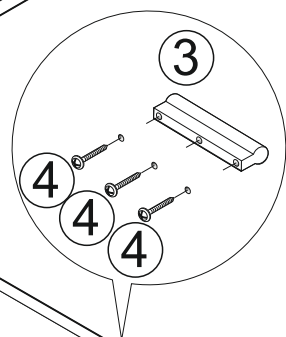
# IV



**V**

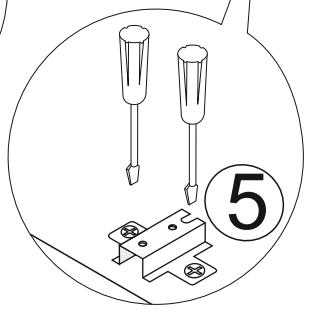
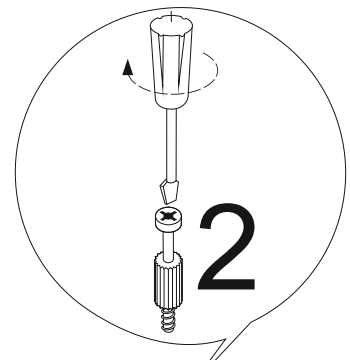
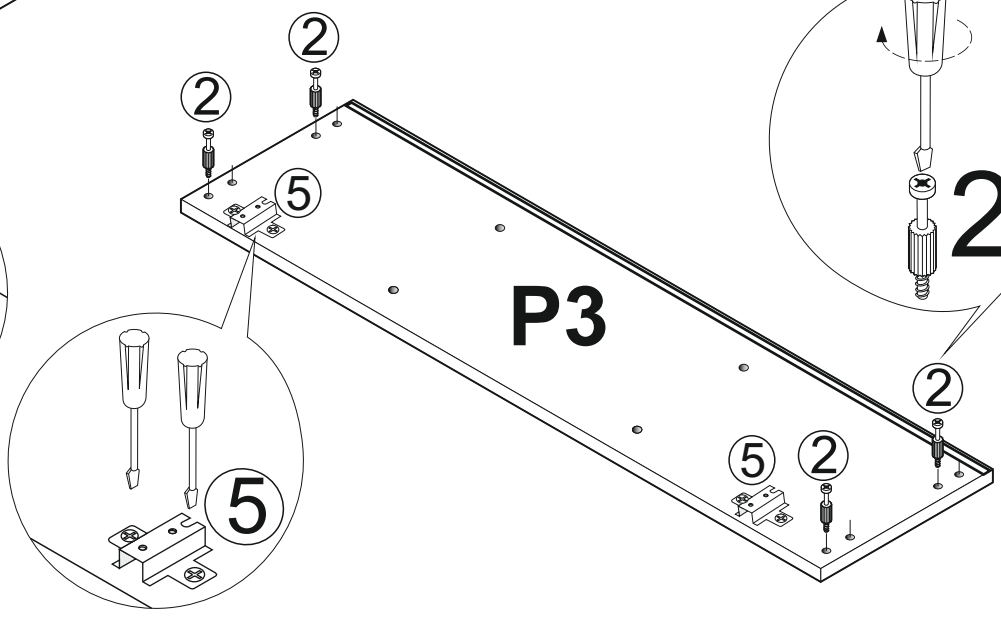
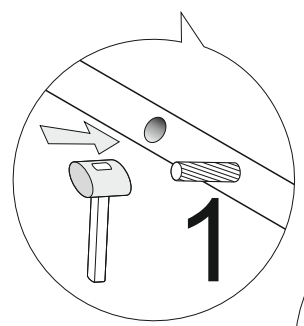
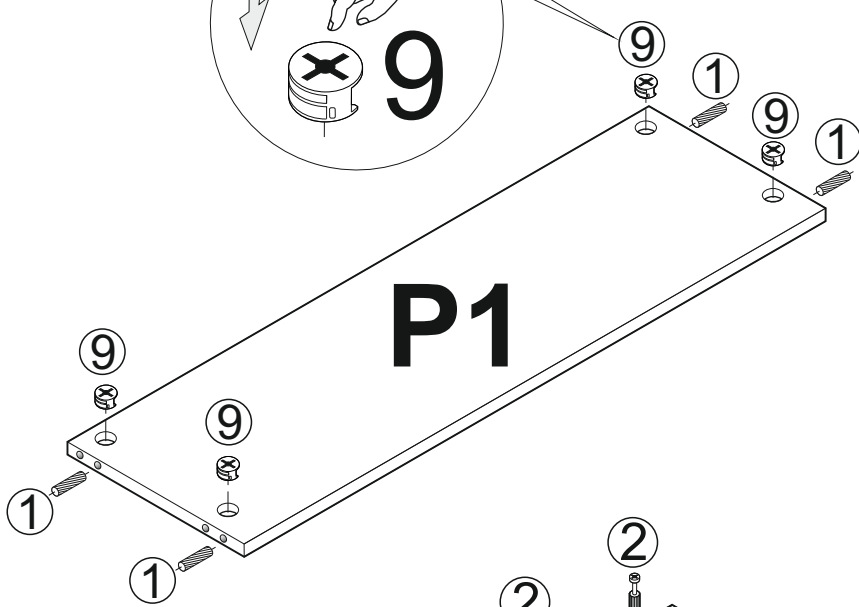
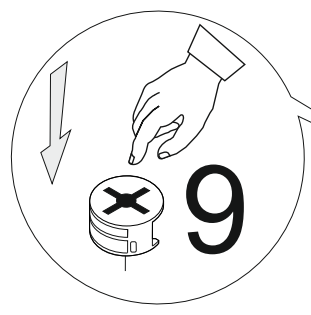
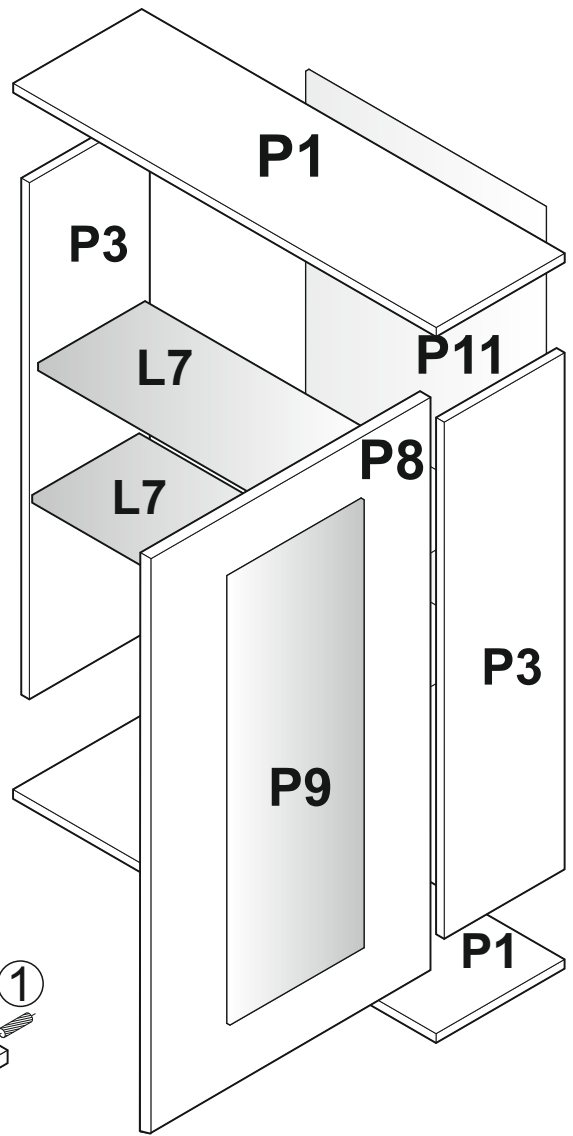


**L**

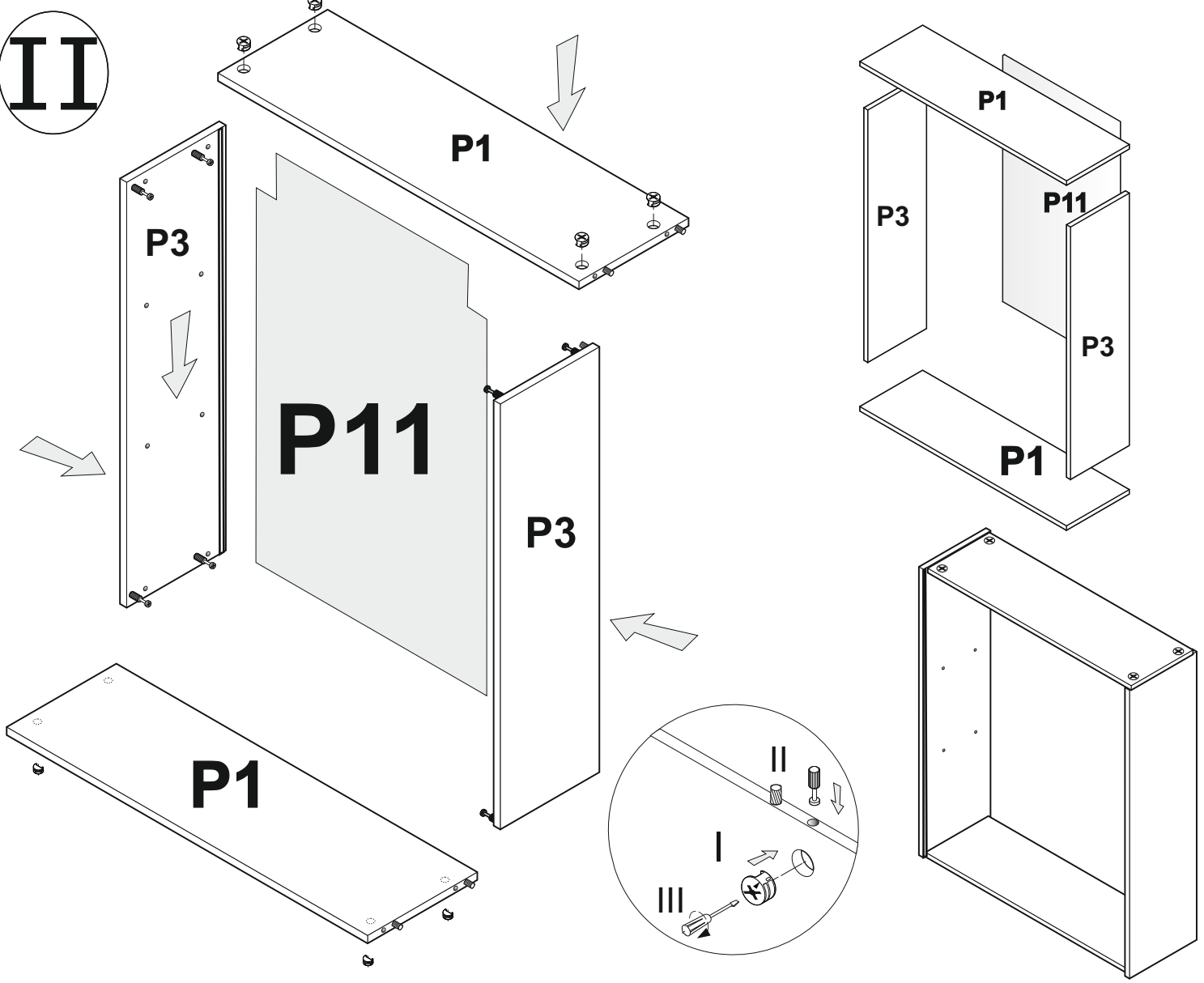


# I

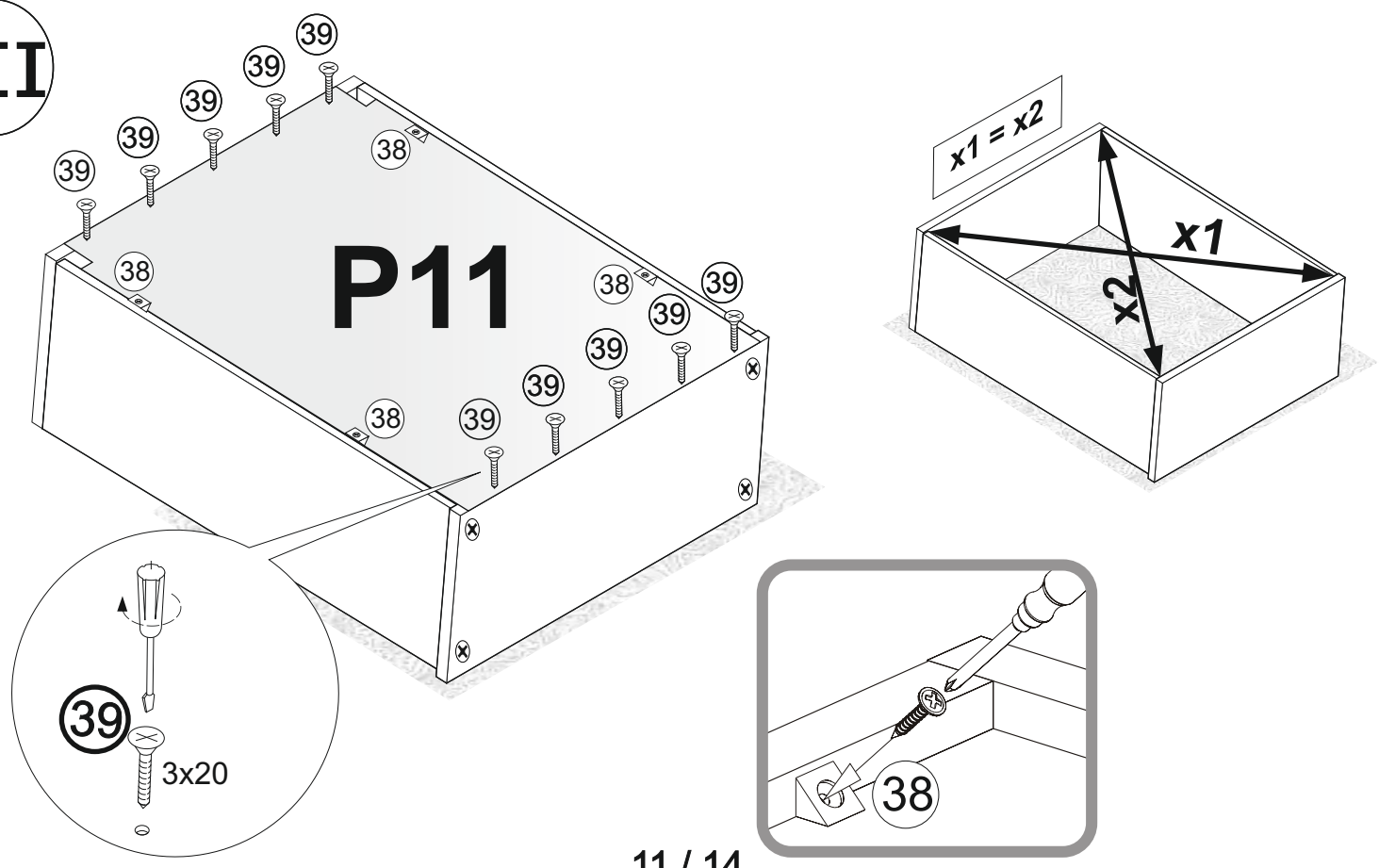
P1	568mm x 294mm
P3	1034mm x 314mm
P11	1028mm x 578mm
P8	1028mm x 596mm



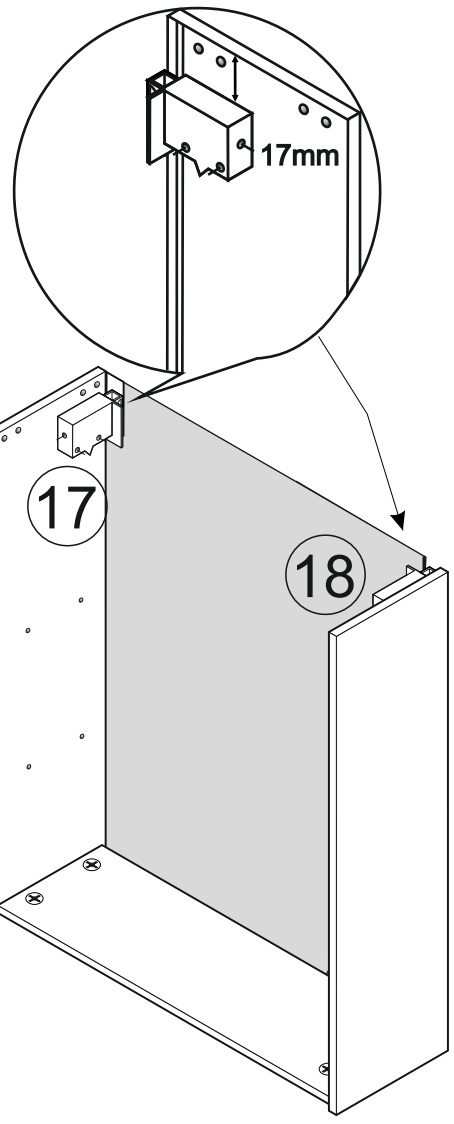
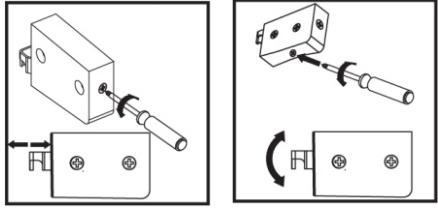
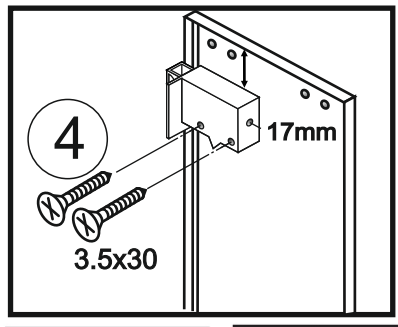
# II



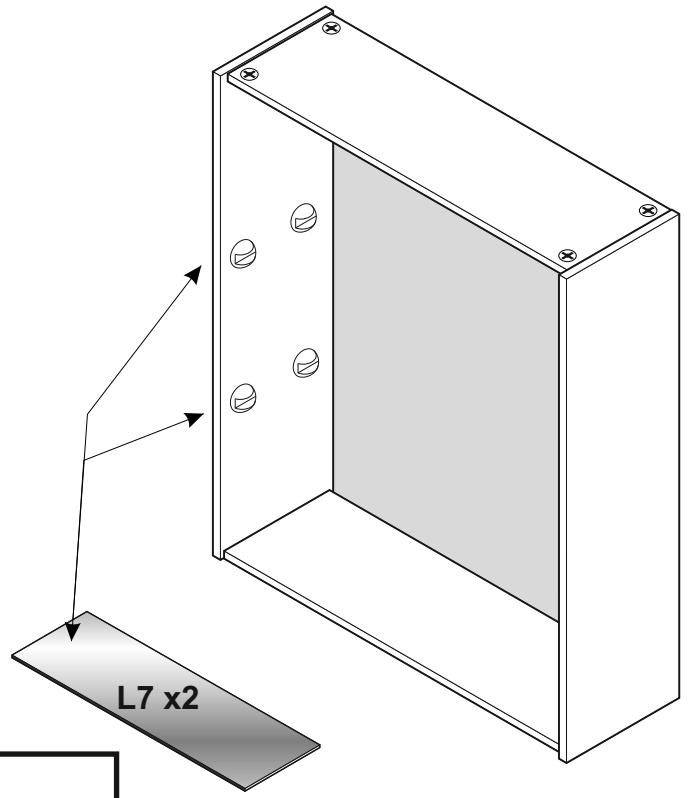
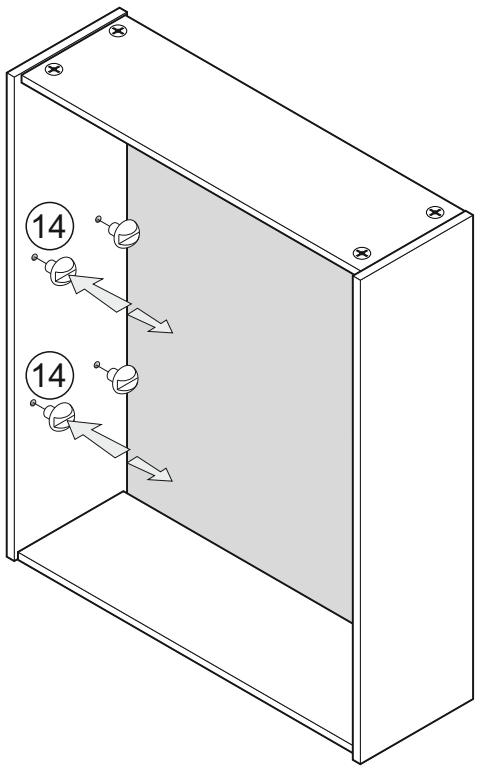
# III



# IV

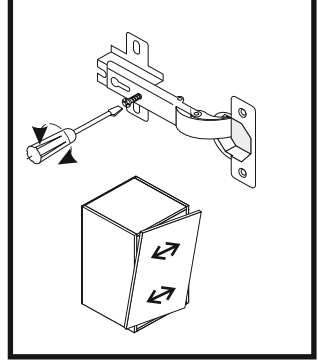
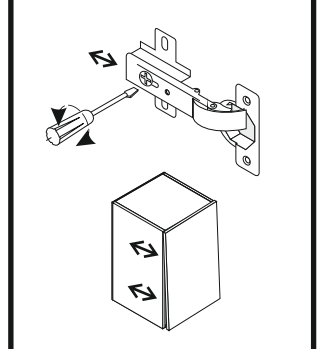
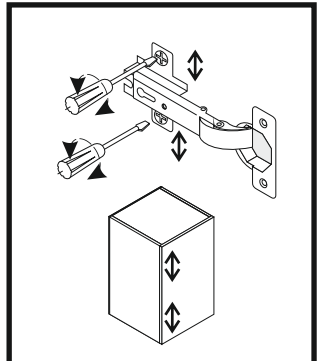
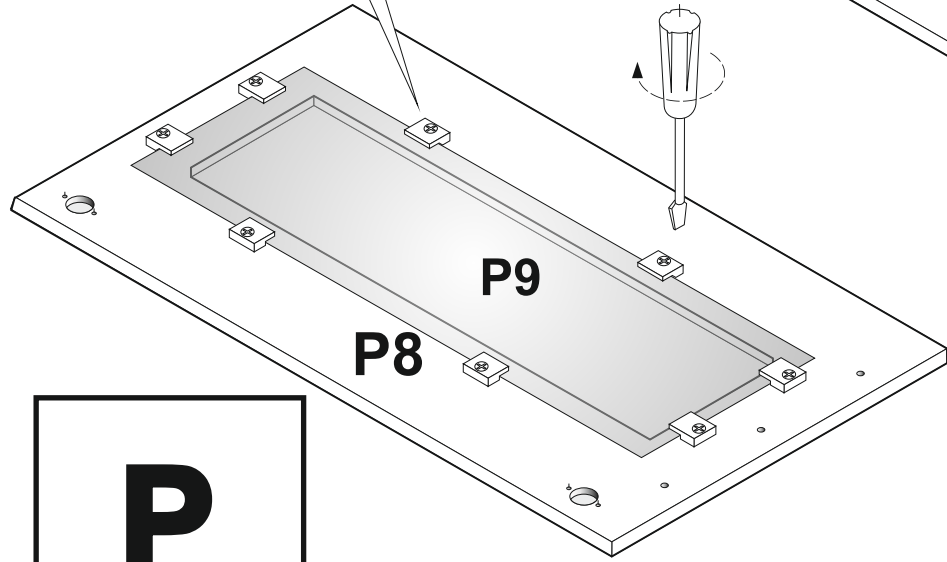
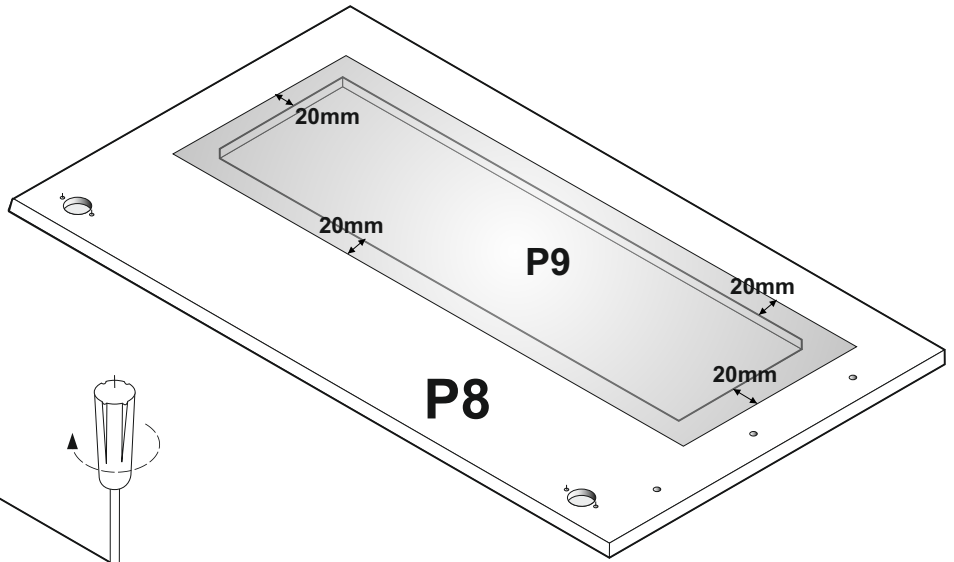
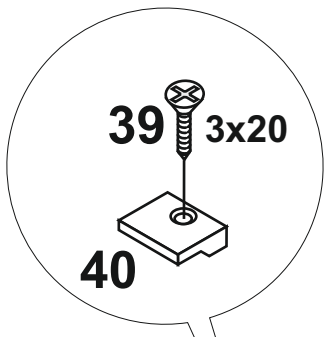


# V

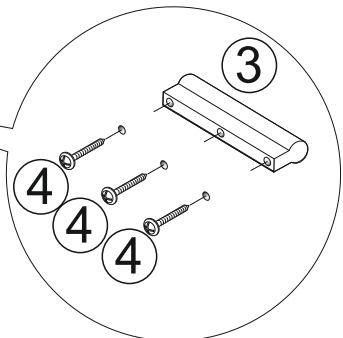
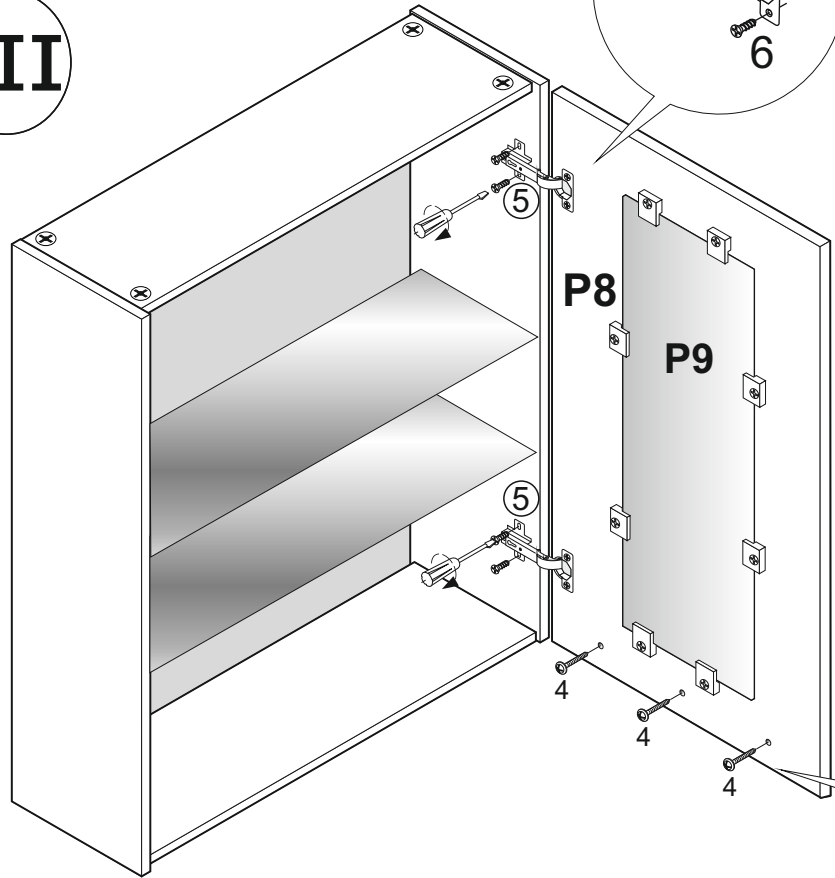
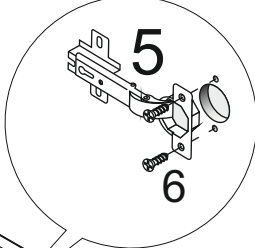


# P

**VI**



**VII**



**(N)**  
**N1 1500mm x 195mm**  
**N2 1498mm x 195mm**

