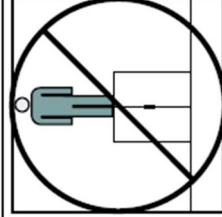
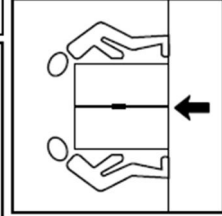
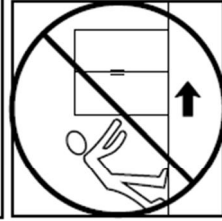
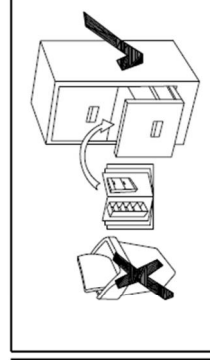
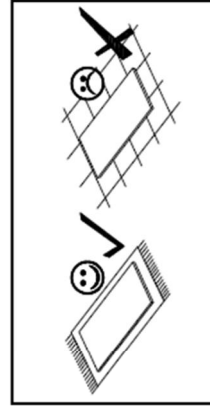
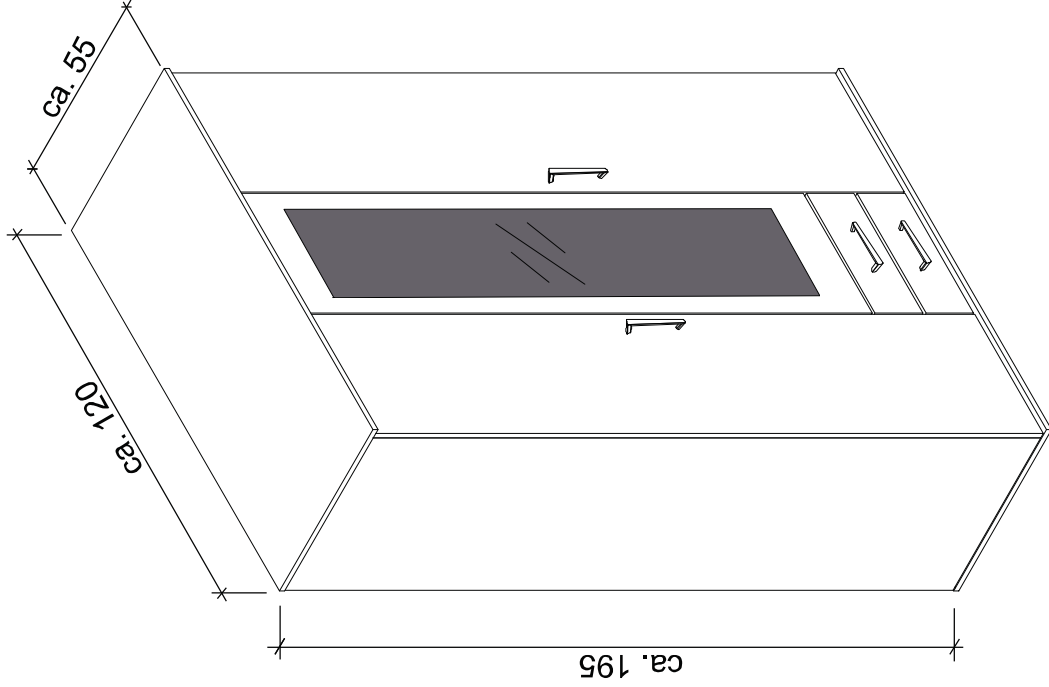
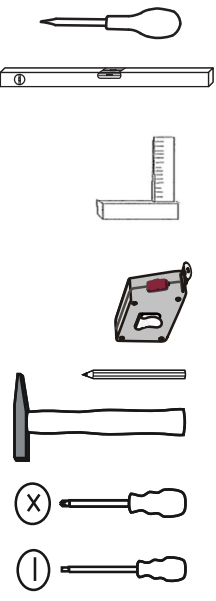
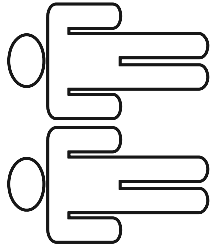
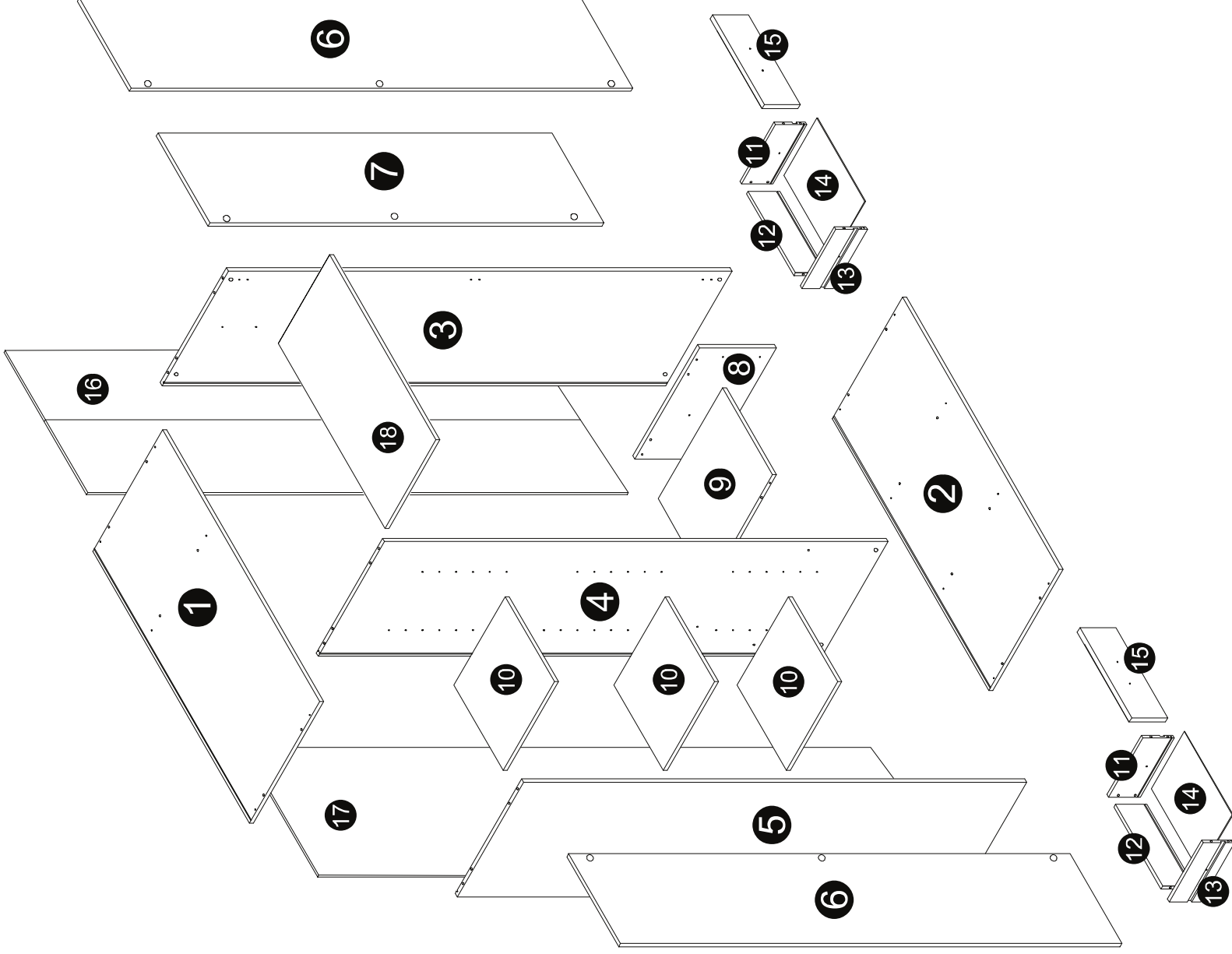


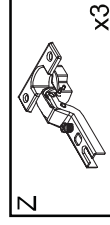
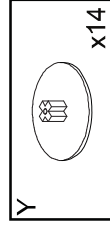
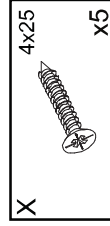
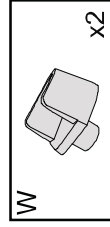
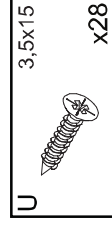
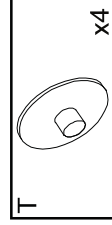
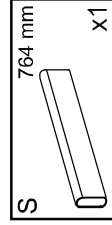
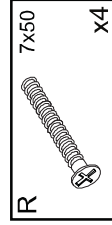
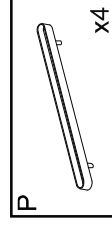
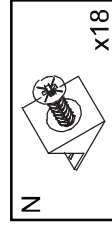
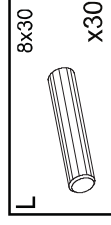
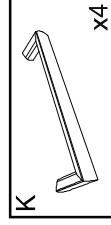
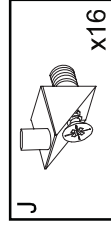
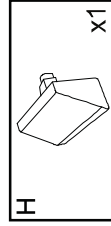
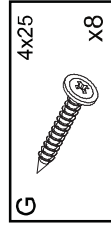
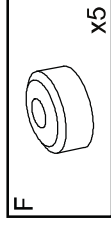
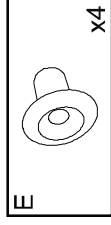
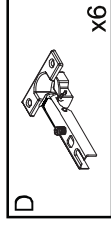
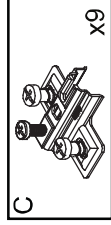
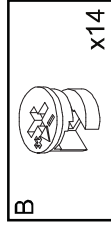
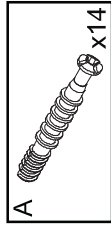
KARL

58-795-17-9

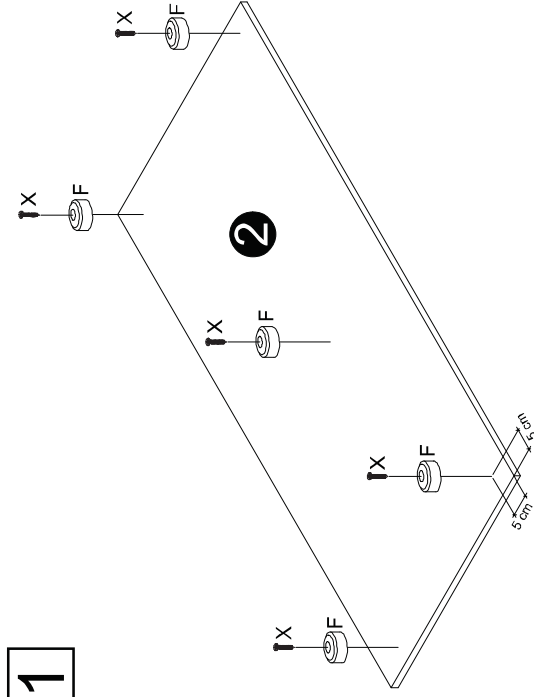


1	x1	ca. 1195x535x15	1/2	7	x1	ca. 1629x395x15	2/2	13	x2	ca. 278x80x12	2/2
2	x1	ca. 1195x535x15	1/2	8	x1	ca. 490x292x15	1/2	14	x2	ca. 360x276x2,5	2/2
3	x1	ca. 1917x504x15	1/2	9	x1	ca. 489x383x15	1/2	15	x2	ca. 395x137x15	2/2
4	x1	ca. 1917x504x15	1/2	10	x3	ca. 390x375x15	2/2	16	x1	ca. 1926x782x2,5	2/2
5	x1	ca. 1917x504x15	1/2	11	x2	ca. 278x80x12	2/2	17	x1	ca. 1926x385x2,5	2/2
6	x2	ca. 1909x395x15	2/2	12	x2	ca. 350x80x12	2/2	18	x1	ca. 773x390x15	2/2

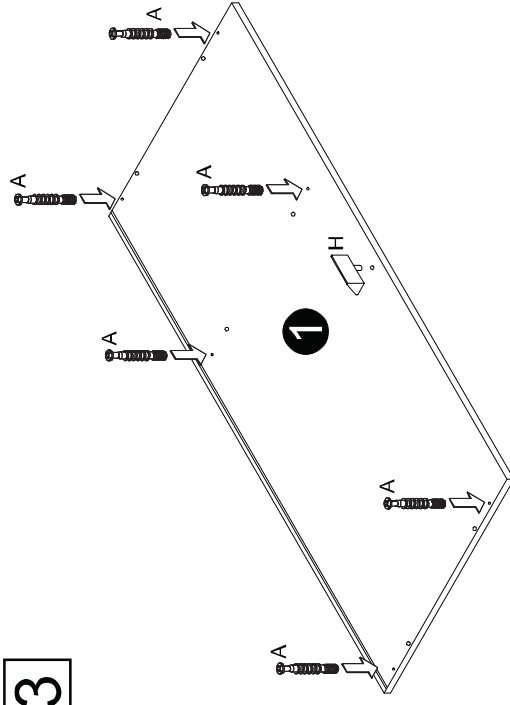




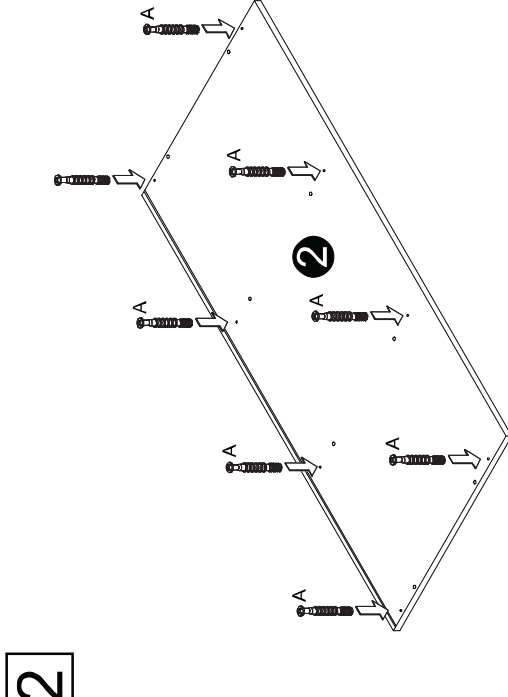
1



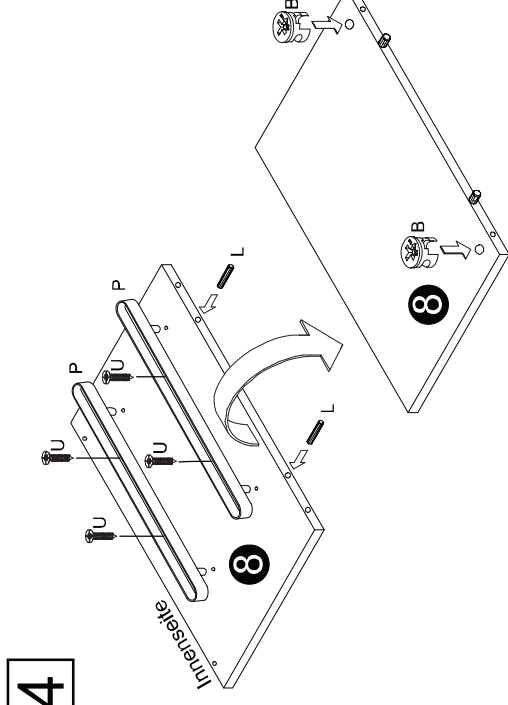
3

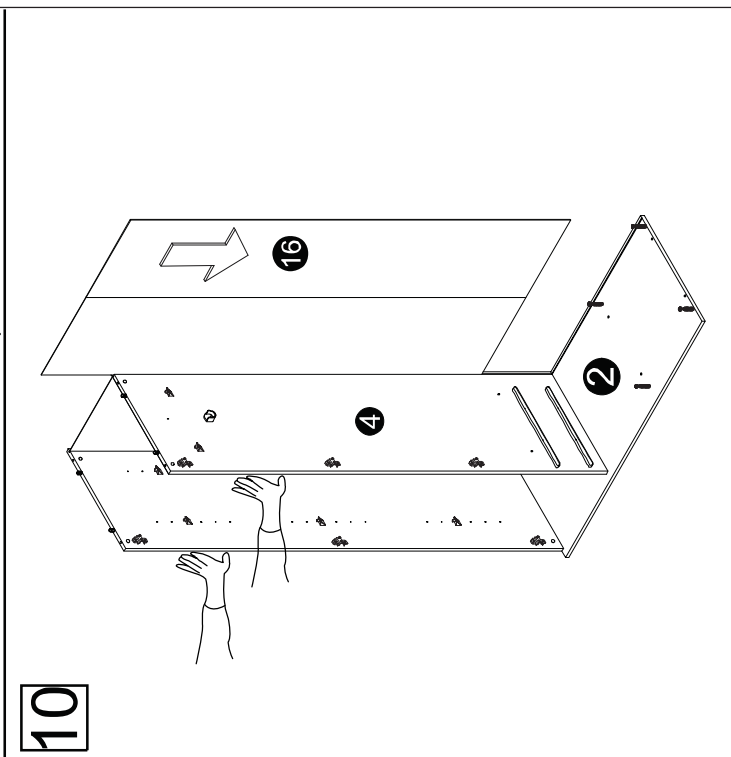
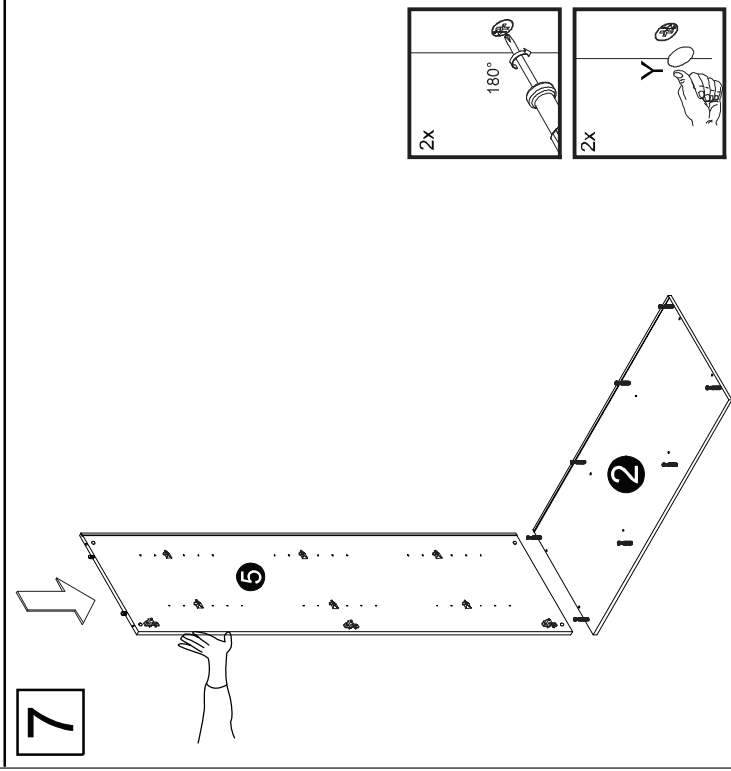
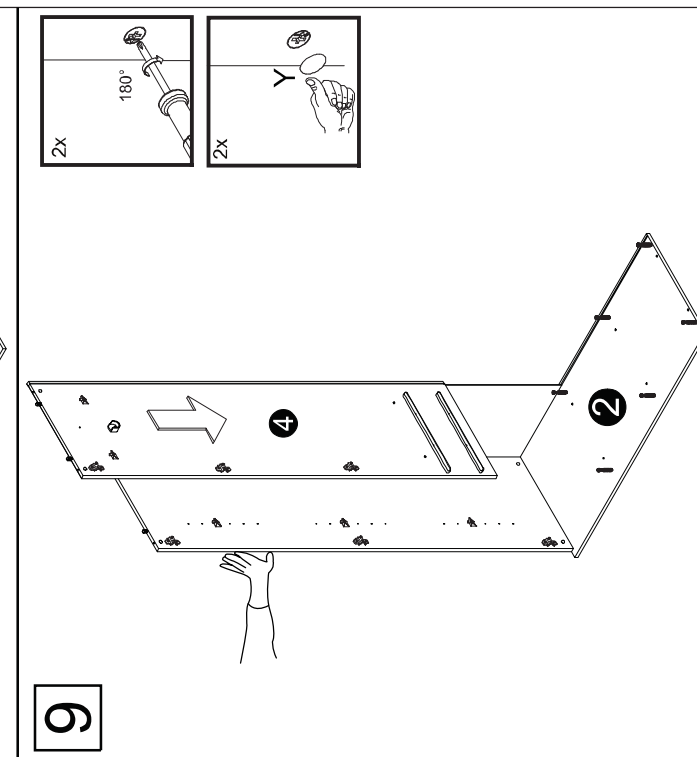
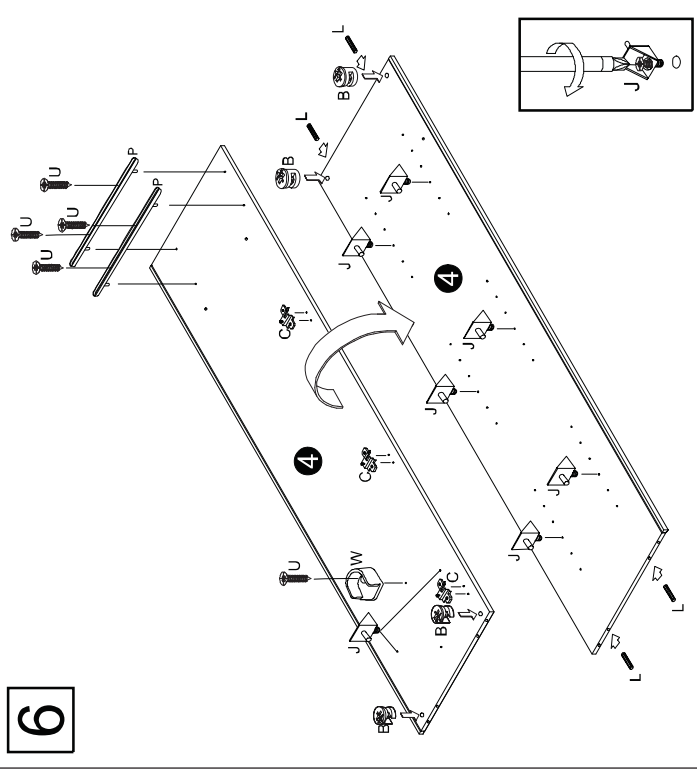
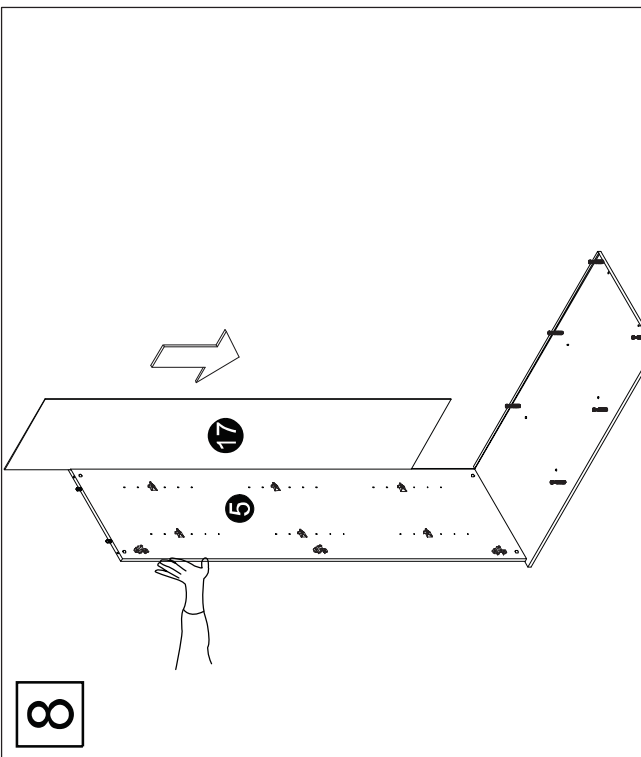
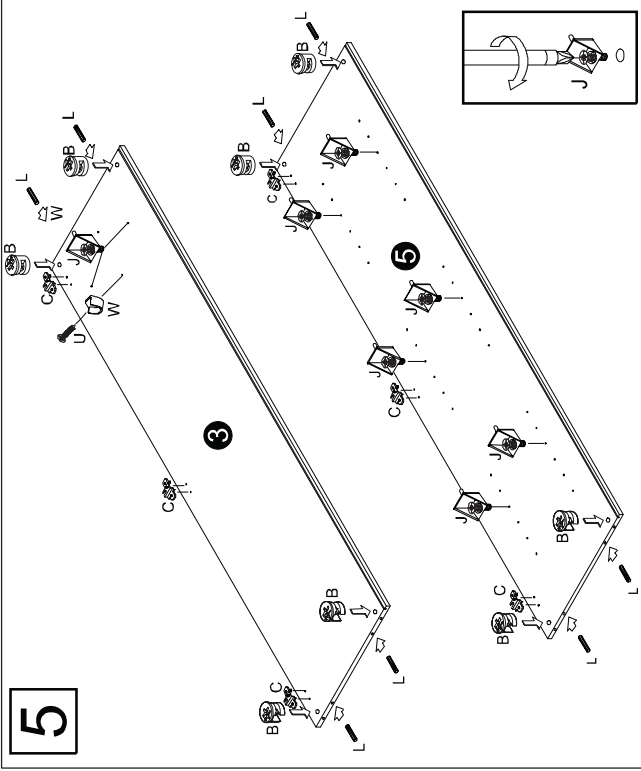


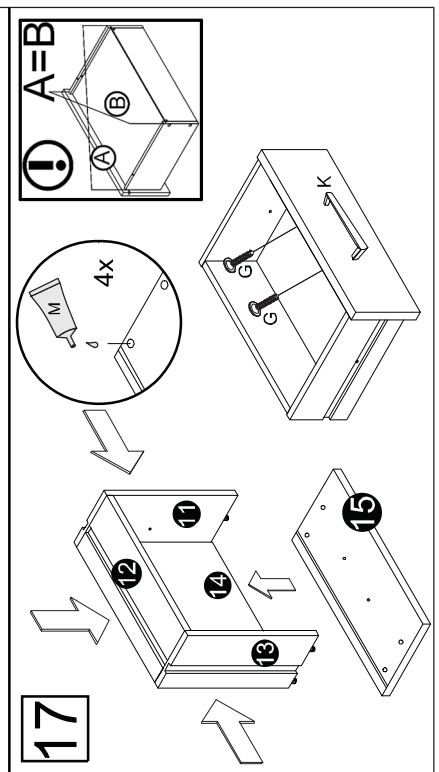
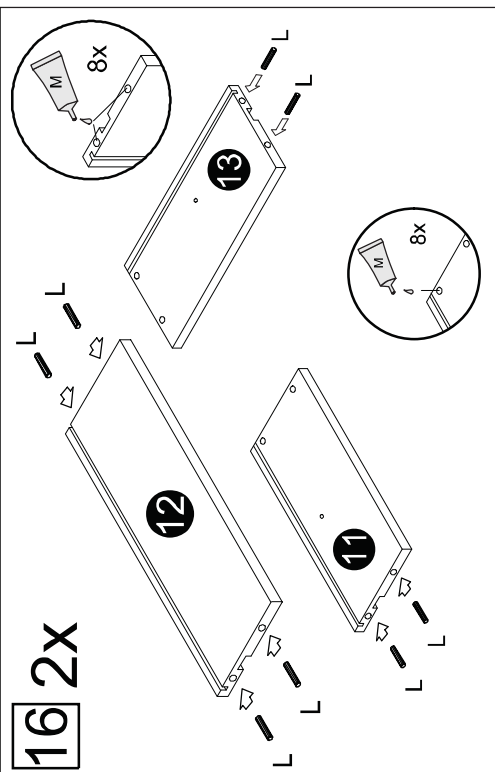
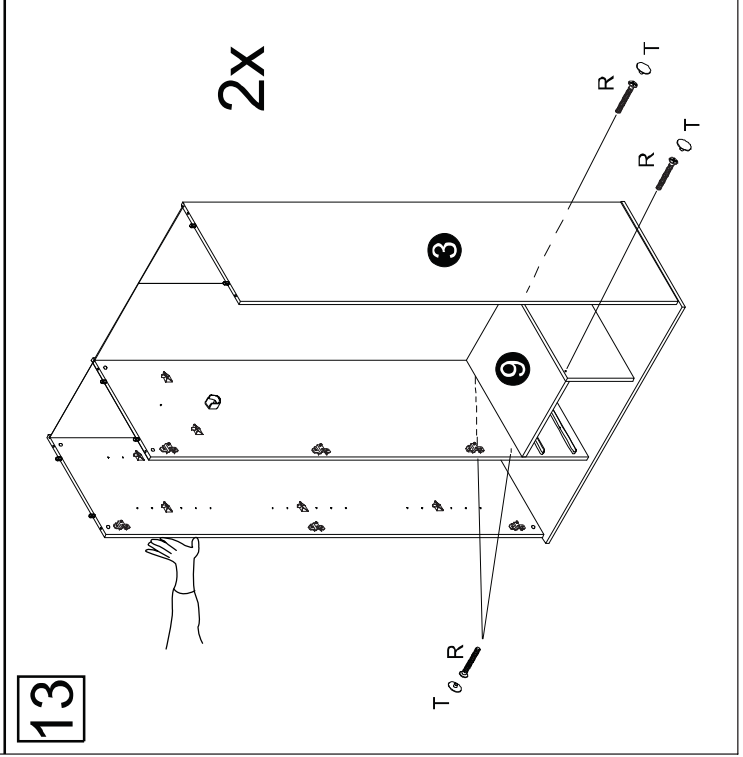
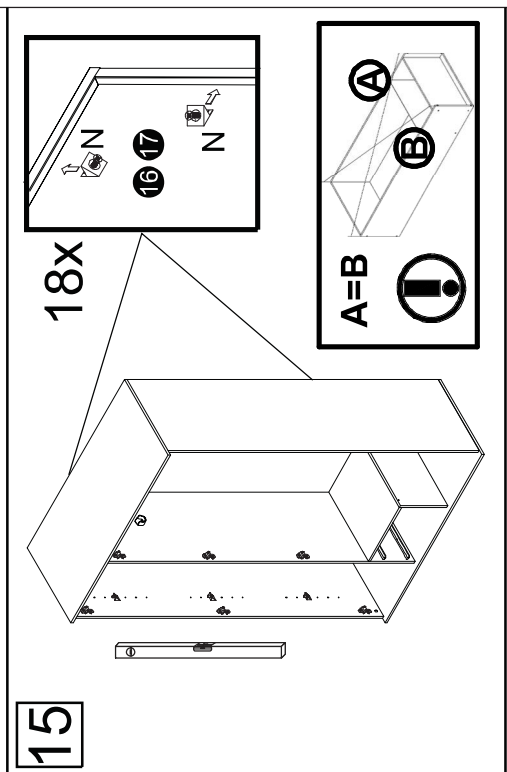
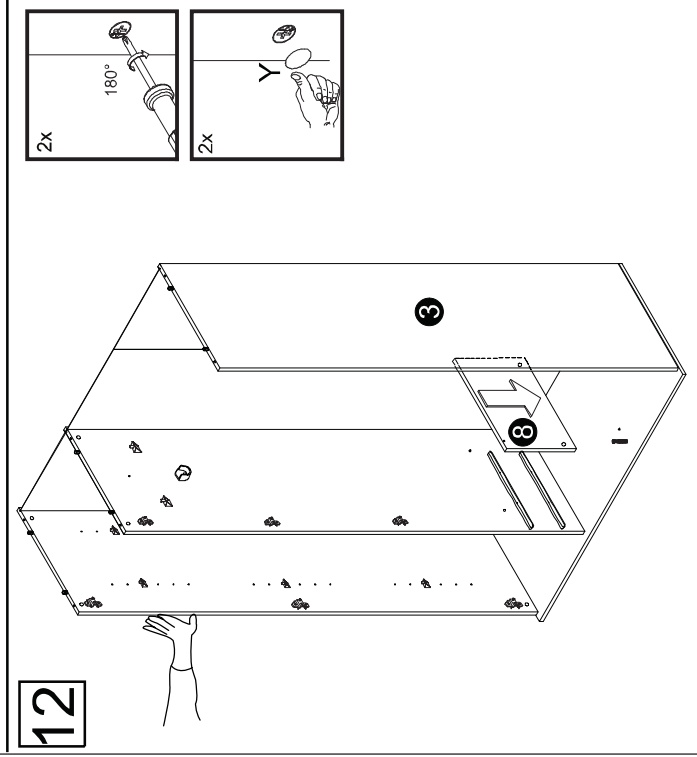
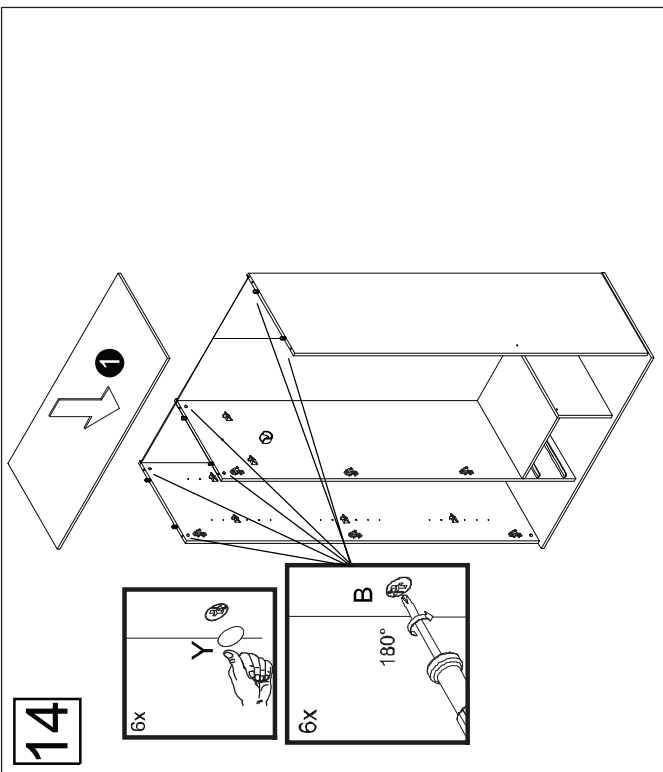
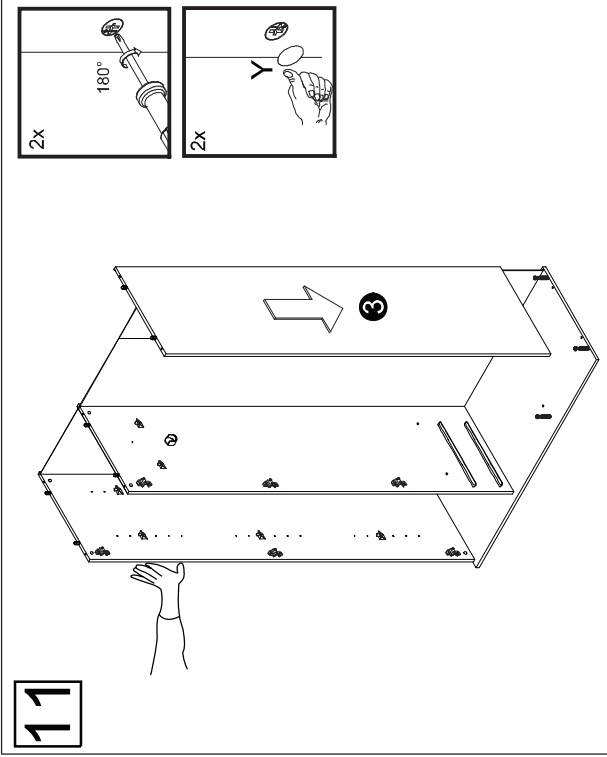
2



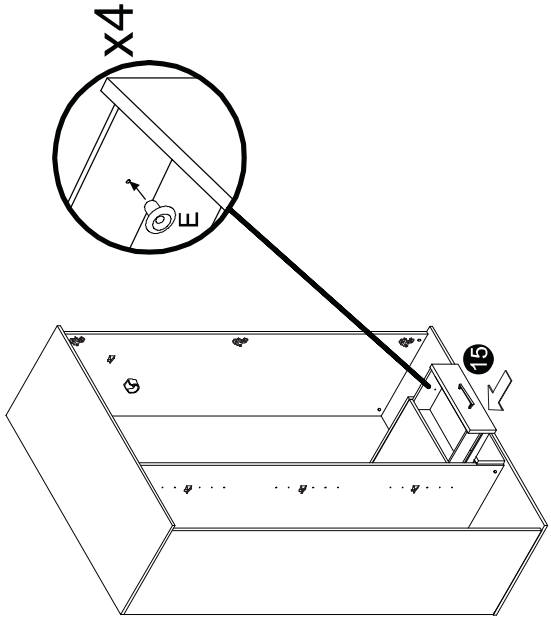
4



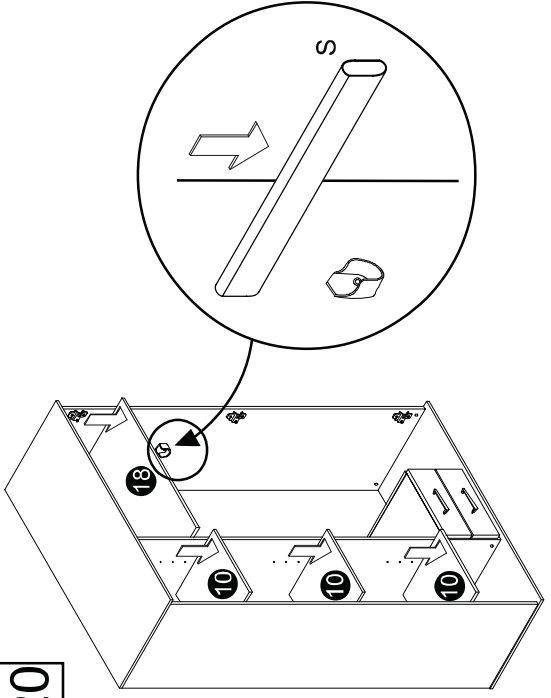




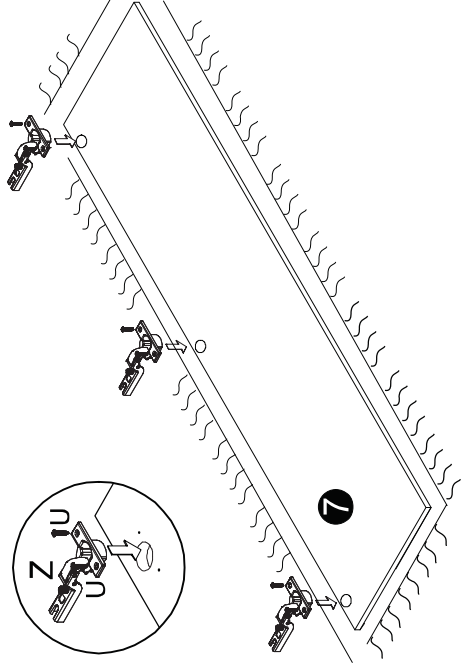
18



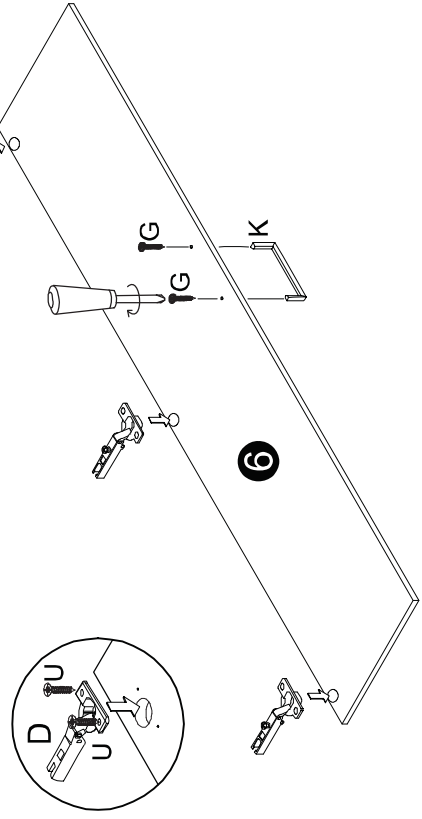
20



19



21



22

