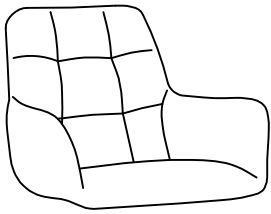
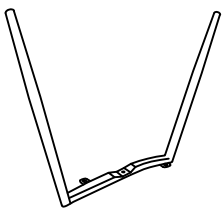
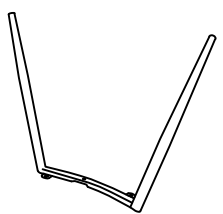

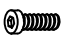


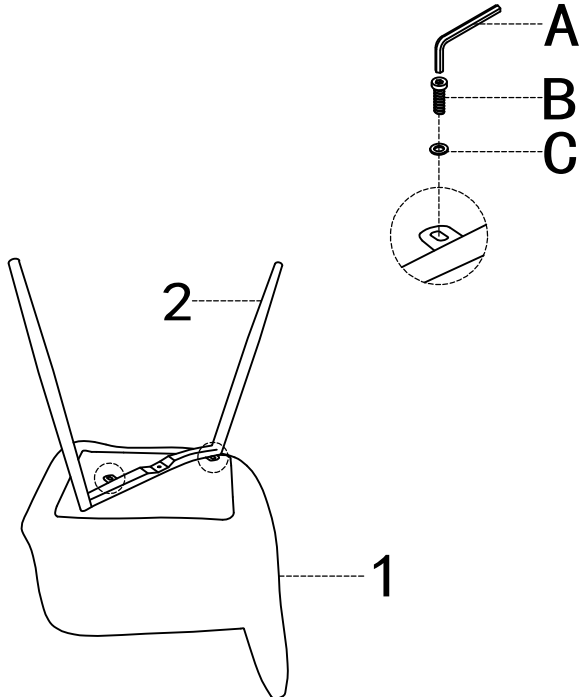



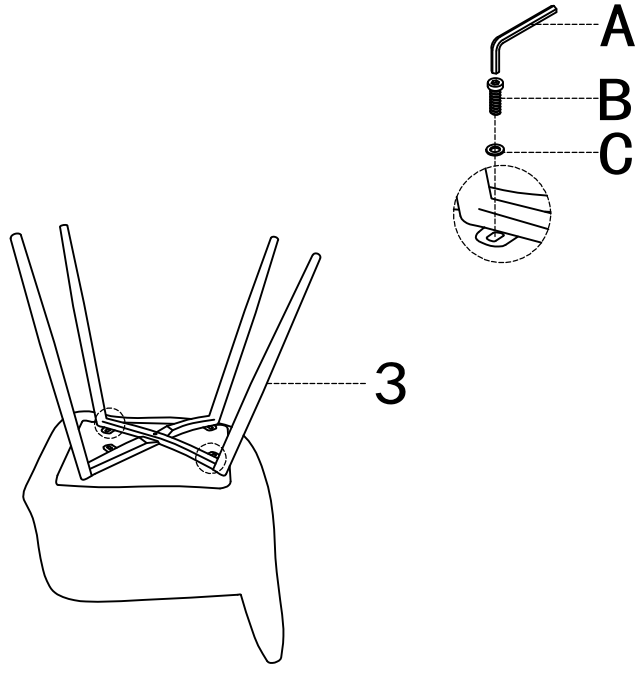
# ASSEMBLY INSTRUCTION

① 	② 	③ 
A 	B 	C 
x1	x1	x1
x1	M6x18	x5
M6x18	x5	M6x18
x5	x5	x5

1 



2 



3 