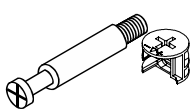

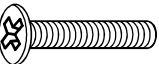
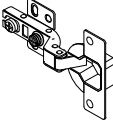
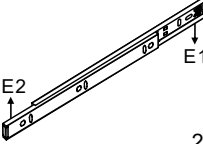


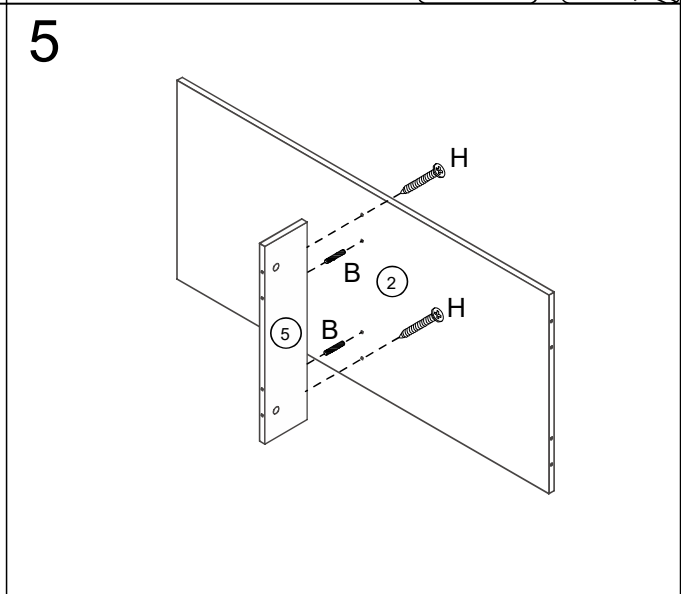
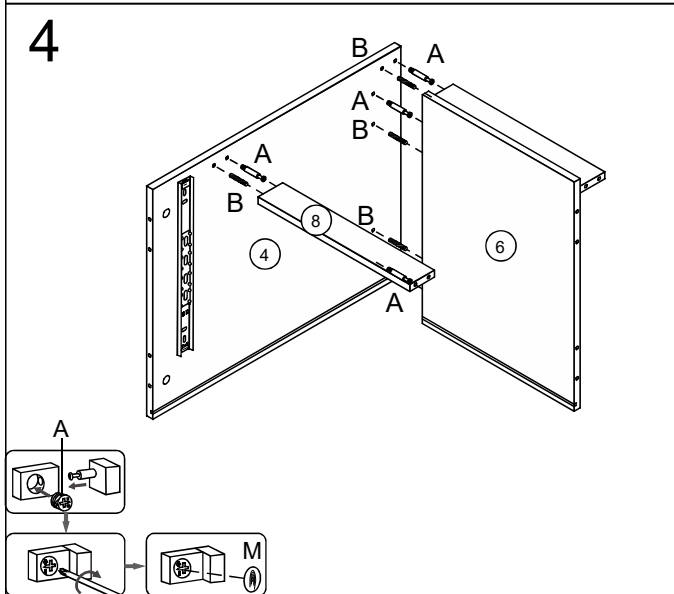
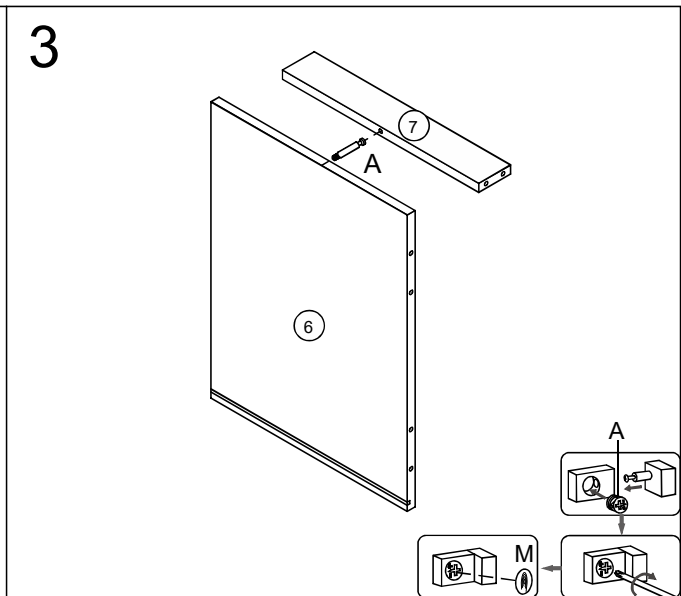
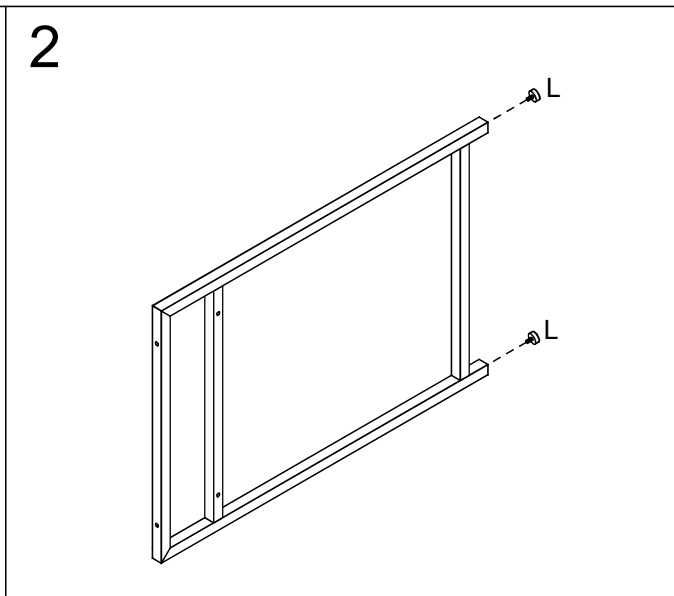
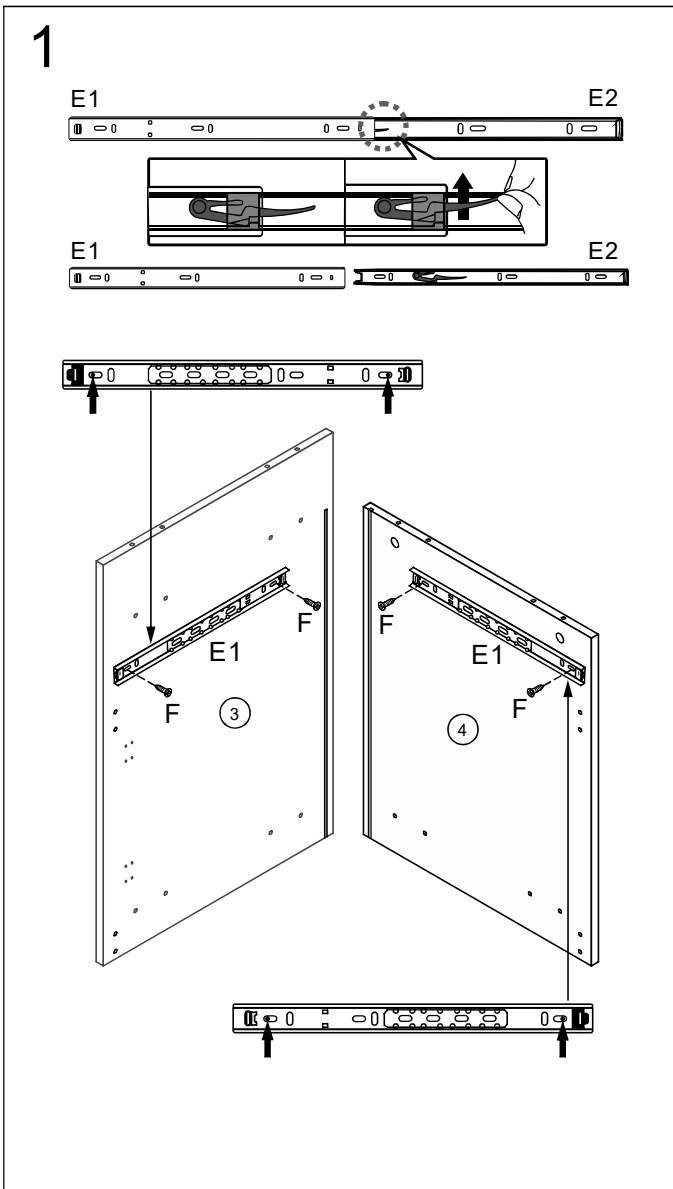

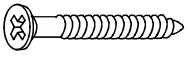
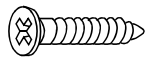
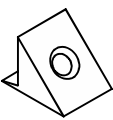
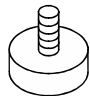

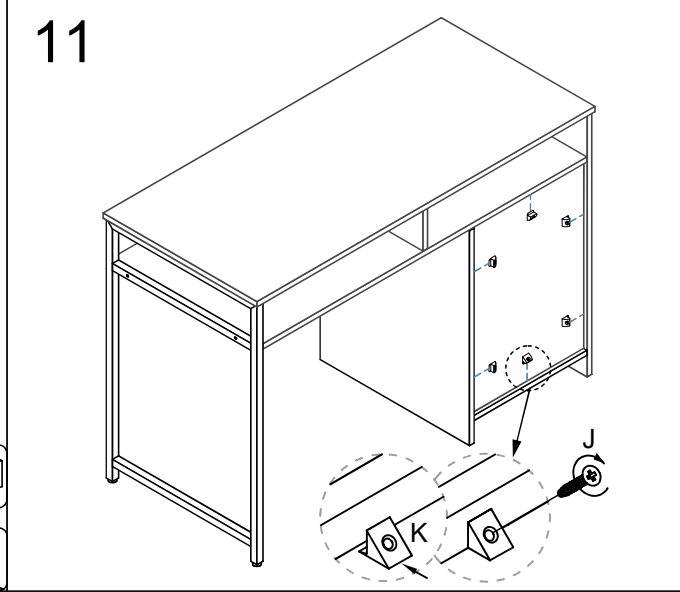
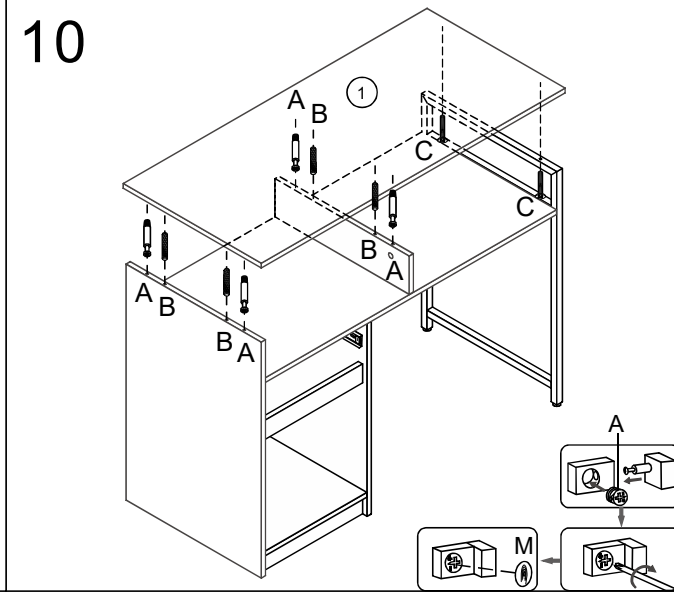
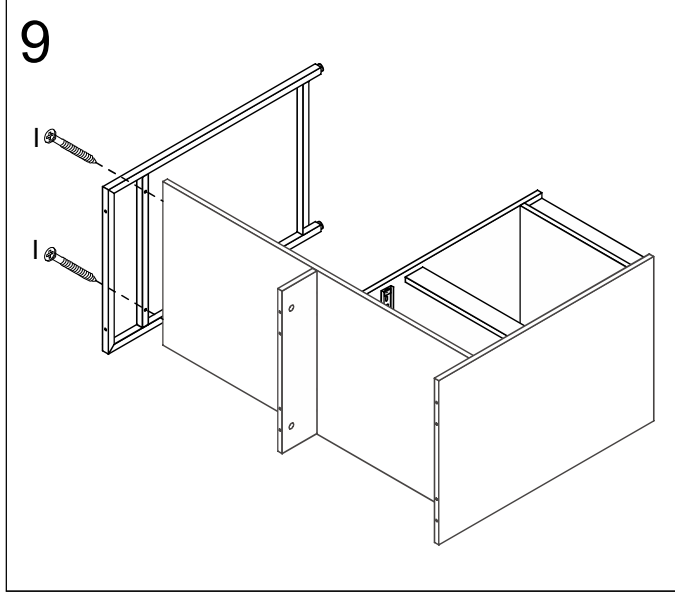
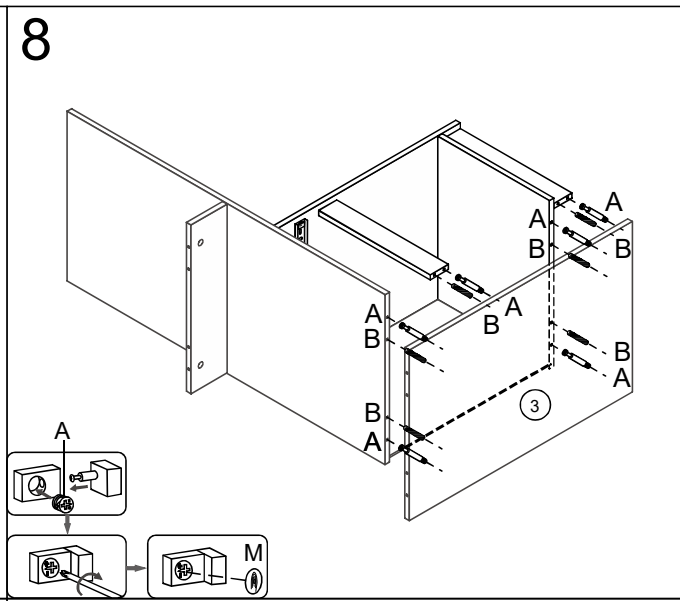
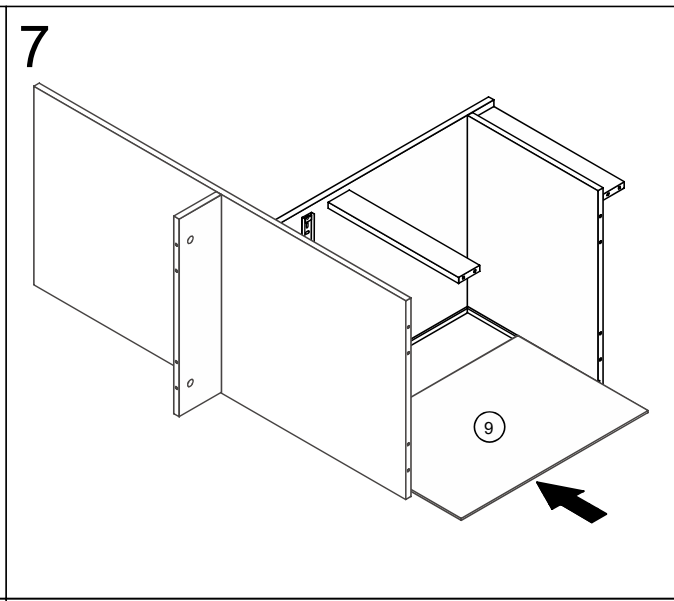
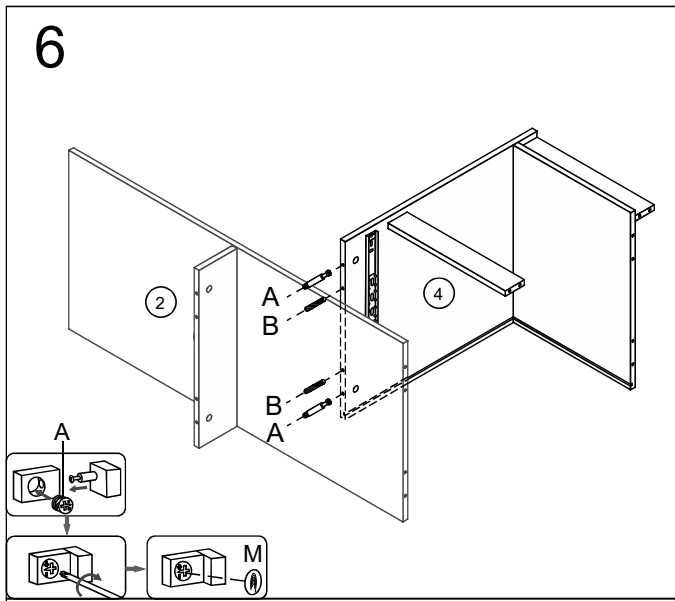


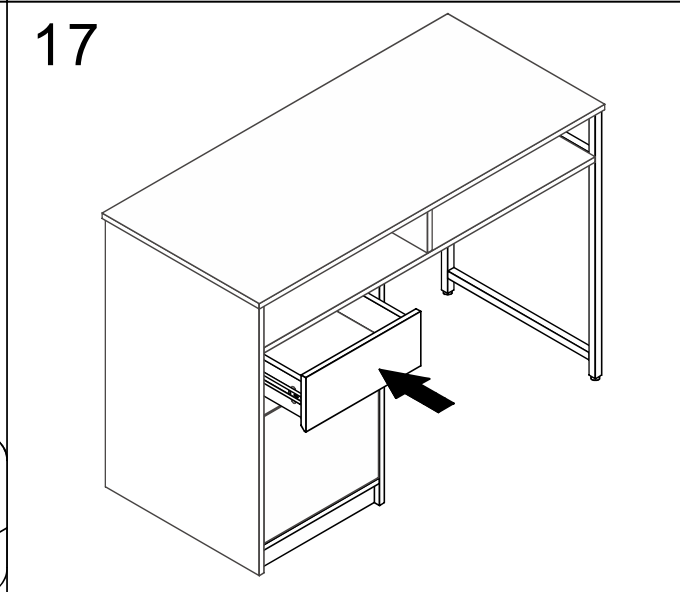
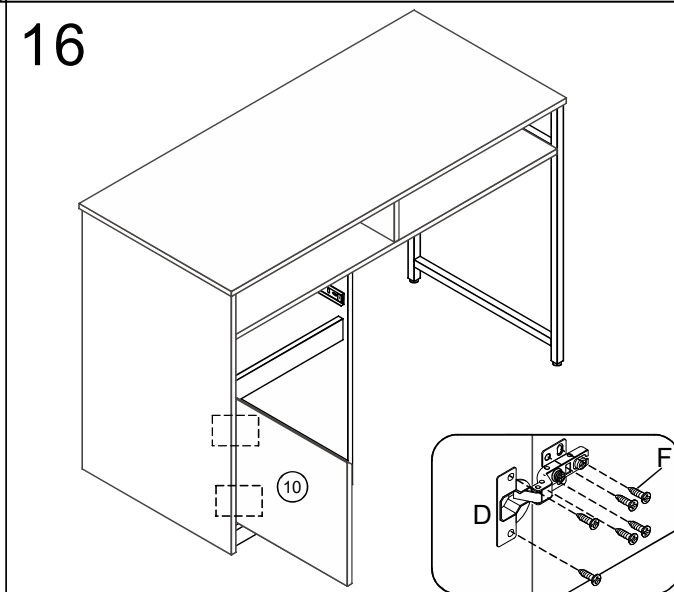
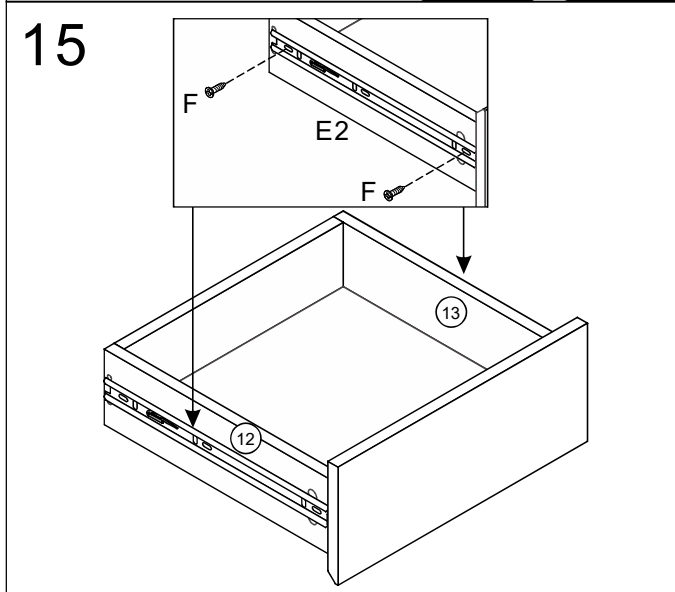
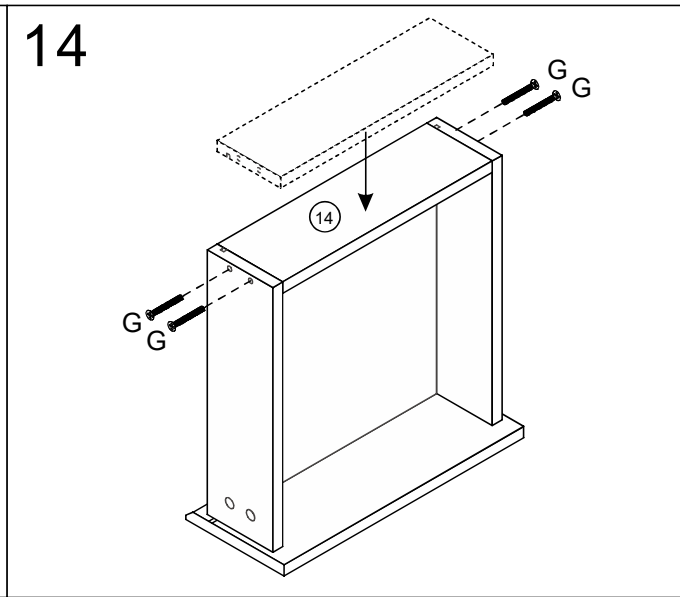
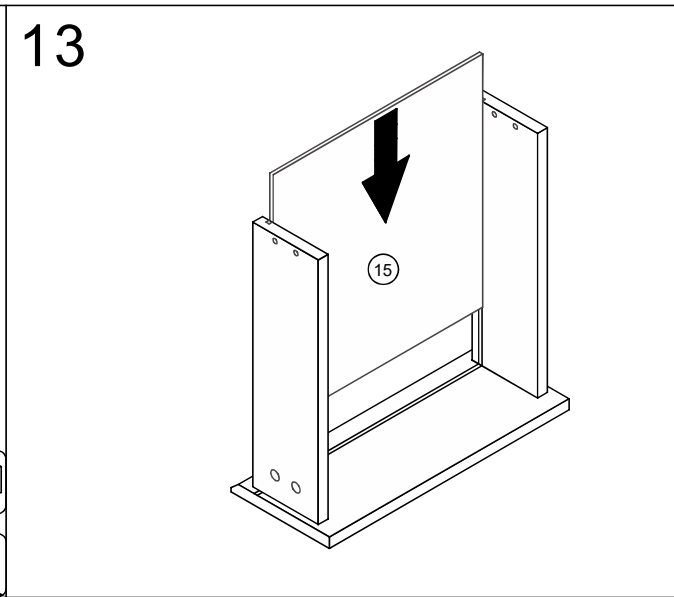
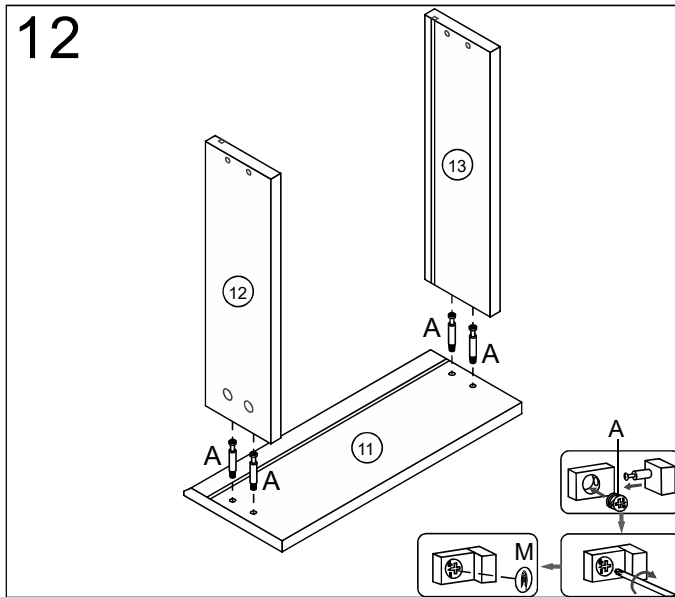
<p>A</p>  <p>15X12mm 21pcs</p>	<p>B</p>  <p>8X30mm 18pcs</p>	<p>C</p>  <p>M6X30mm 2pcs</p>	<p>D</p>  <p>2pcs</p>	<p>E</p>  <p>2pcs</p>	<p>F</p>  <p>ST3.5X14mm 20pcs</p>	<p>G</p>  <p>ST4X35mm 4pcs</p>
--	---	---	---	---	---	--

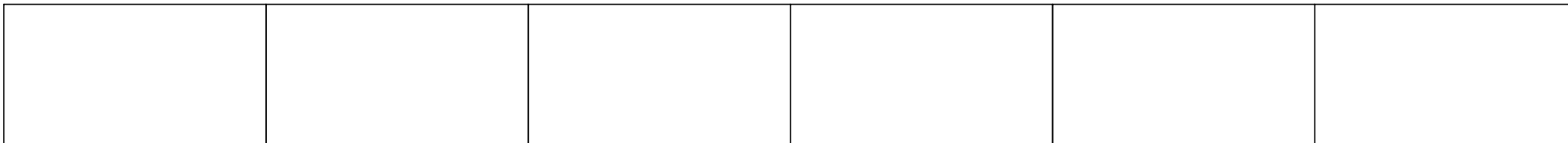


<p>H</p>  <p>ST5X40mm 2pcs</p>	<p>I</p>  <p>ST5X50mm 2pcs</p>	<p>J</p>  <p>ST3.5X18mm 6pcs</p>	<p>K</p>  <p>6pcs</p>	<p>L</p>  <p>M8X20X10mm 2pcs</p>	<p>M</p>  <p>21pcs</p>
--	--	--	---	--	--



--	--	--	--	--	--





18

