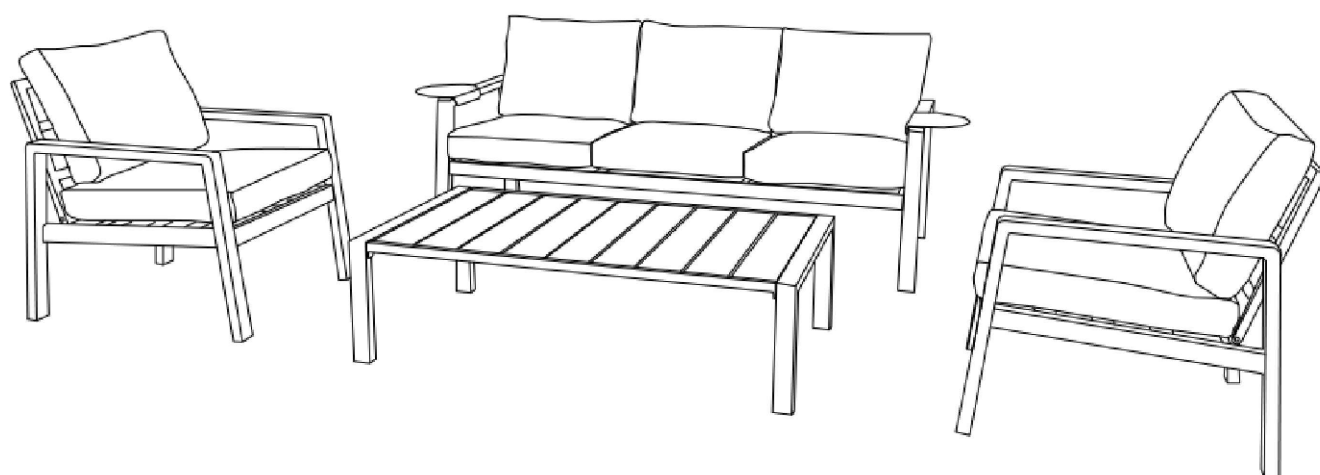









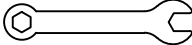
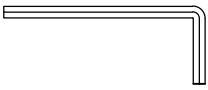


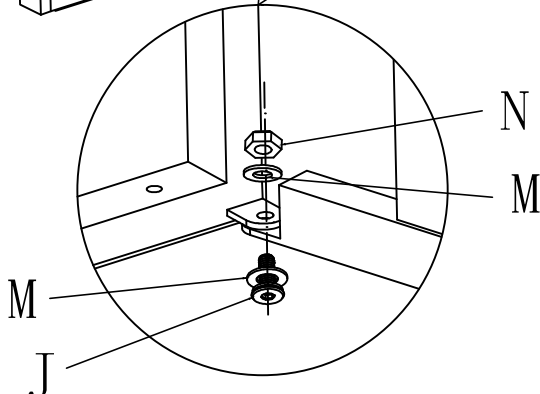
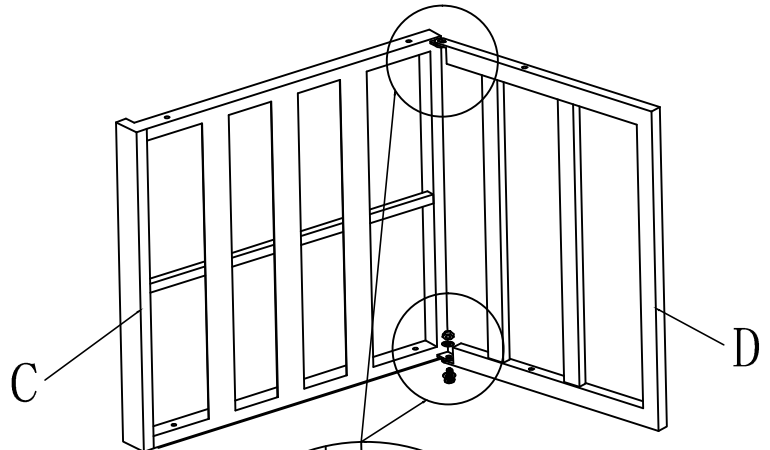


Assembly Instructions

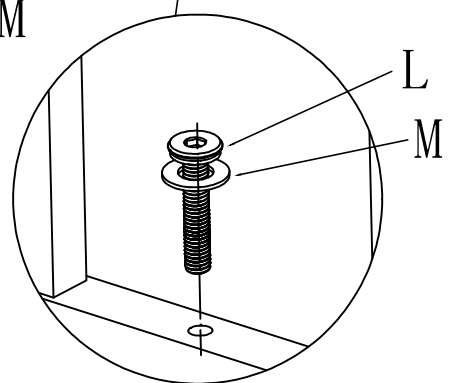
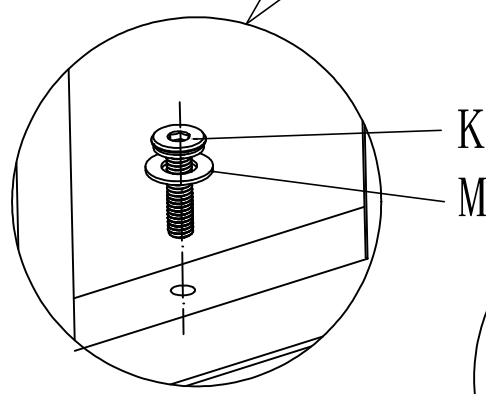
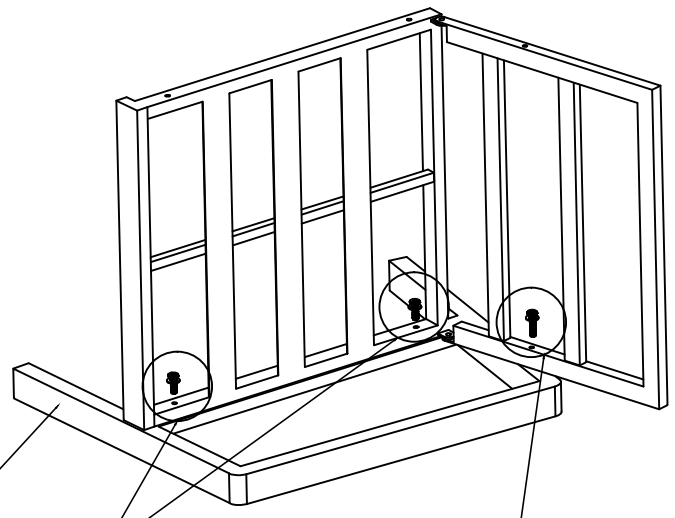


A	 L	2
B	 R	2
C		2
D		2
J	 M6*15	4
K	 M6*32	8
L	 M6*42	4
M	 $\phi 13 * \phi 6.5 * 1.0$	20
N		4
O		1
P		1
Q		2
R		2

①

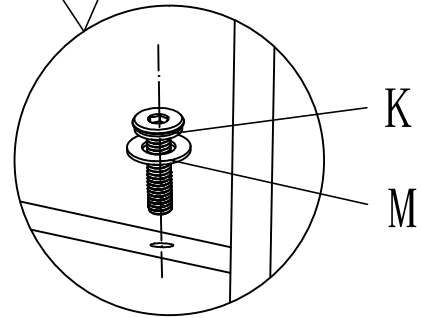
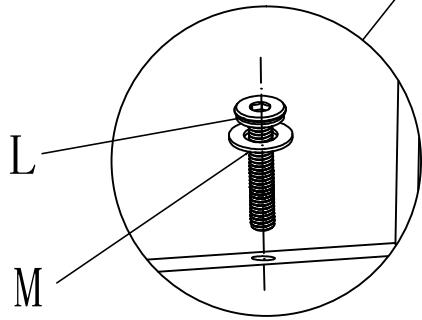
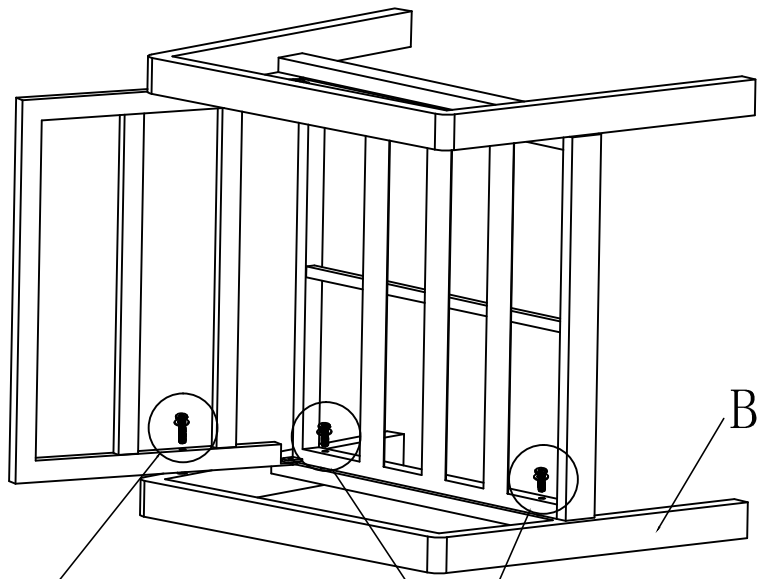


②

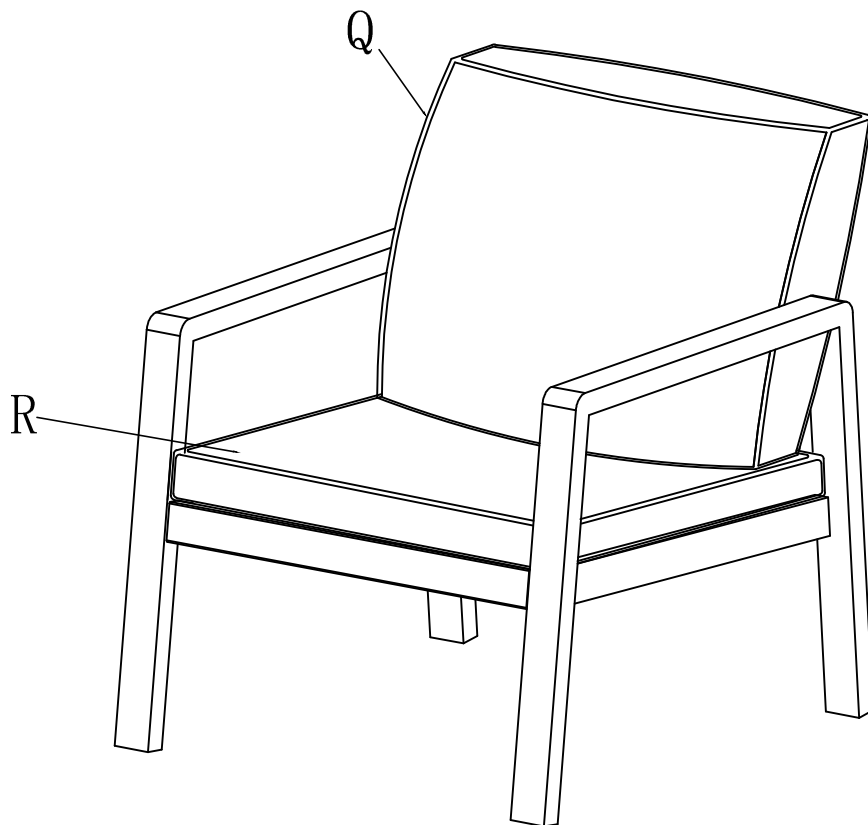



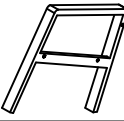

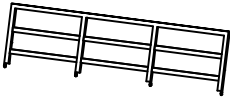






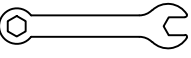

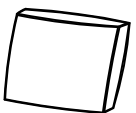

Please do not fully tighten the screws when assembling. Lock all screws when assembly is complete.

3

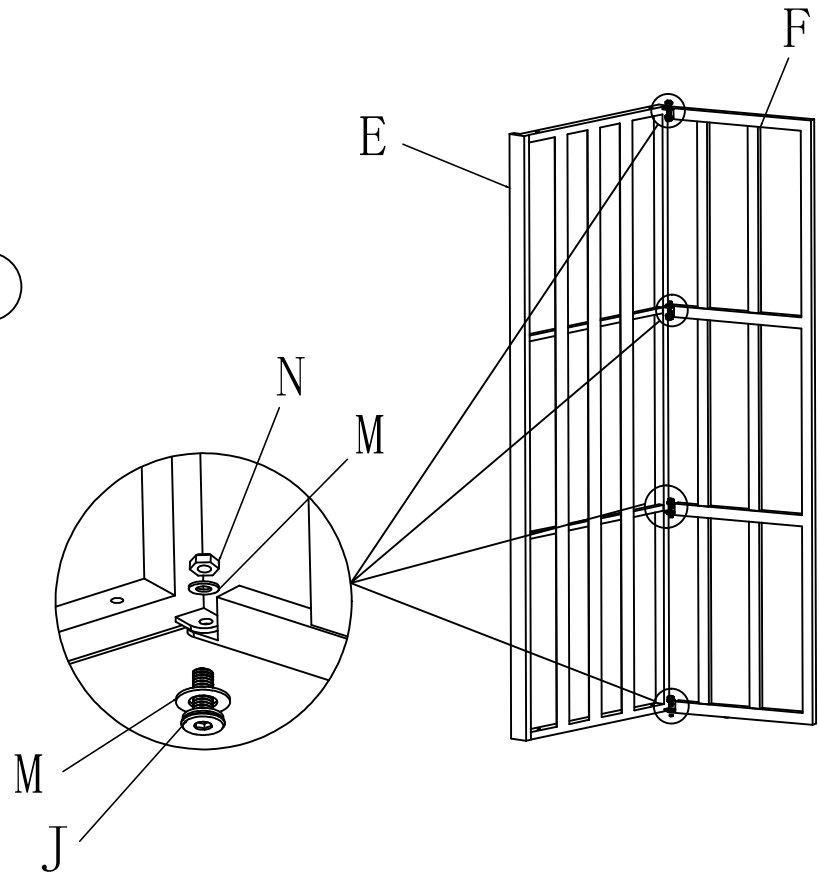


4

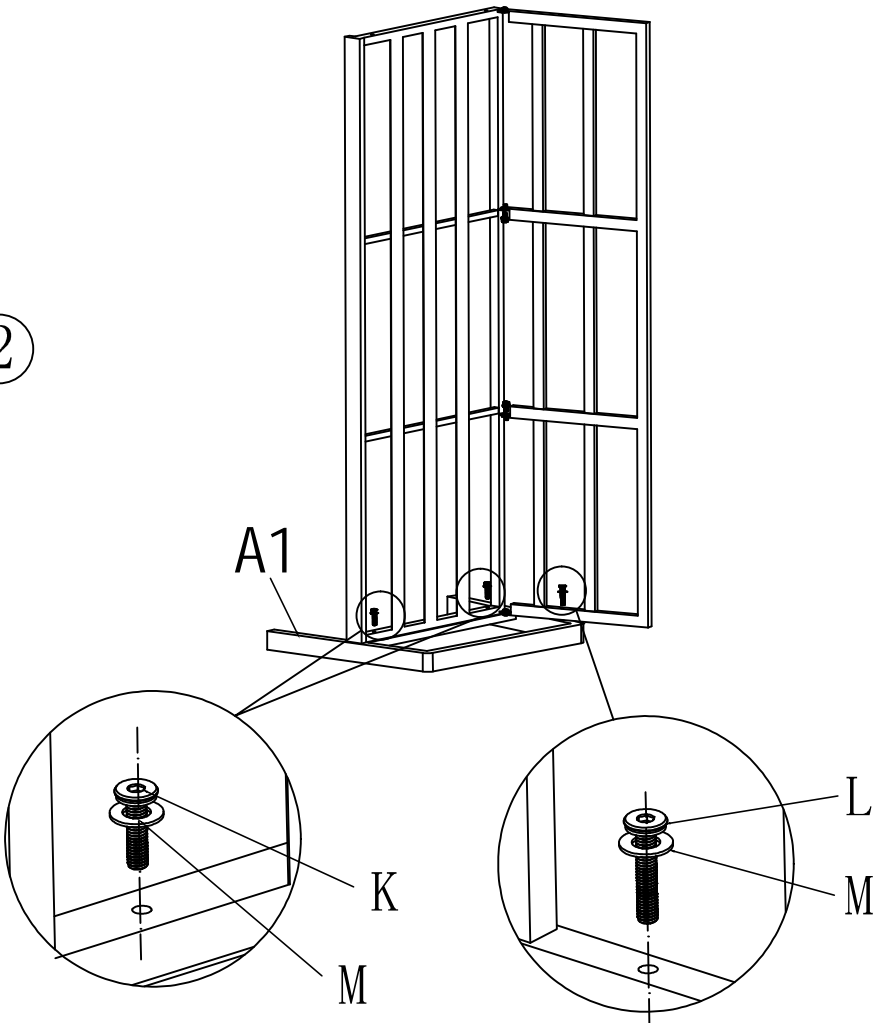


A1	 L	1
B1	 R	1
E		1
F		1
G		2
J	 M6*15	8
K	 M6*32	4
L	 M6*42	2
M	 $\phi 13 * \phi 6.5 * 1.0$	18
N		4
O		1
P		1
Q		3
R		3

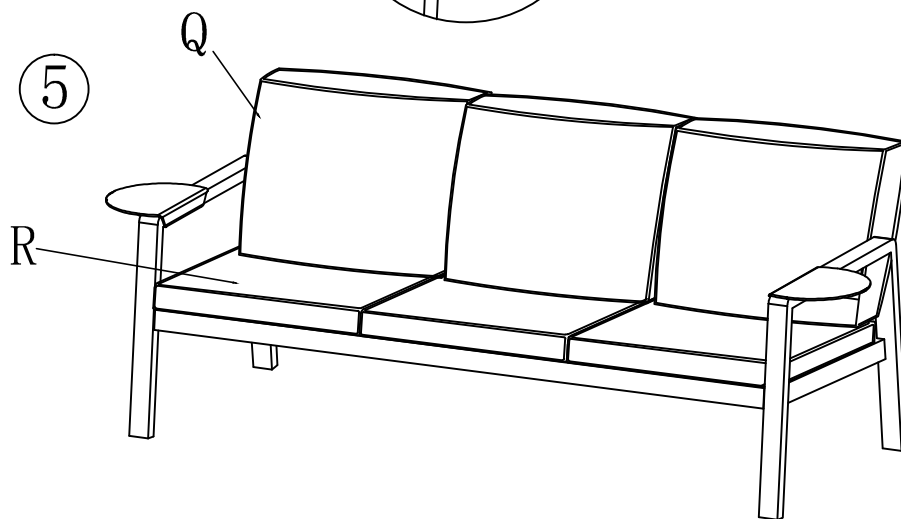
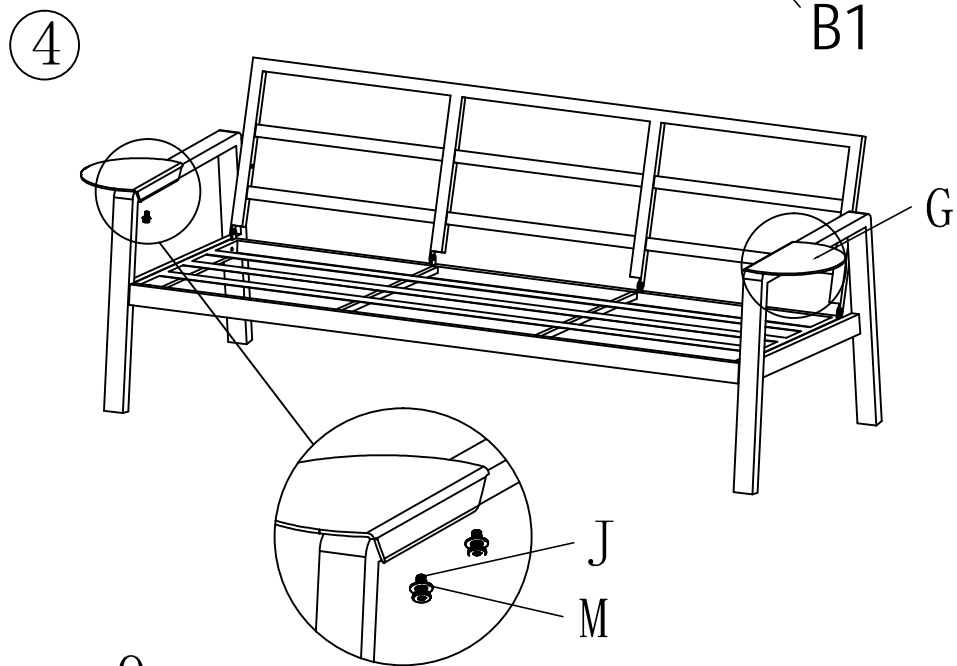
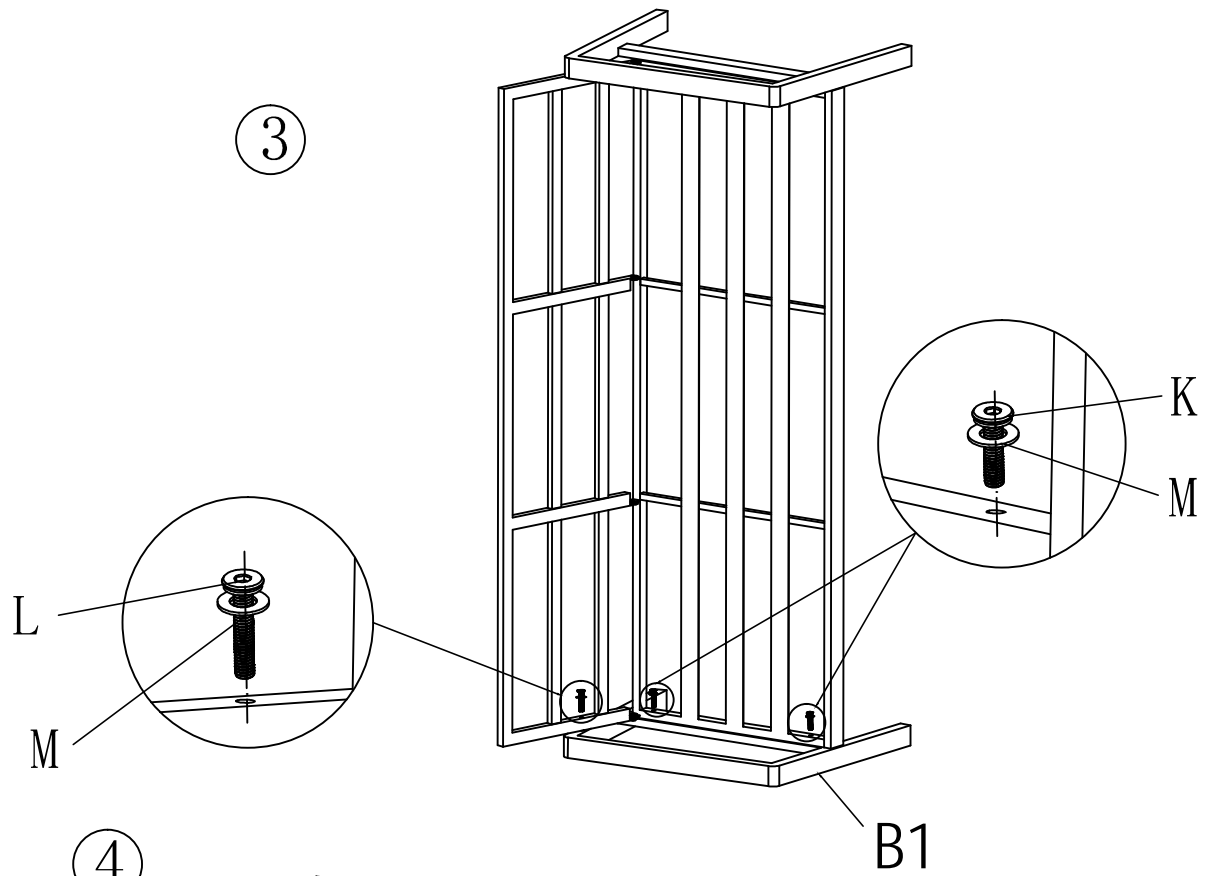
①



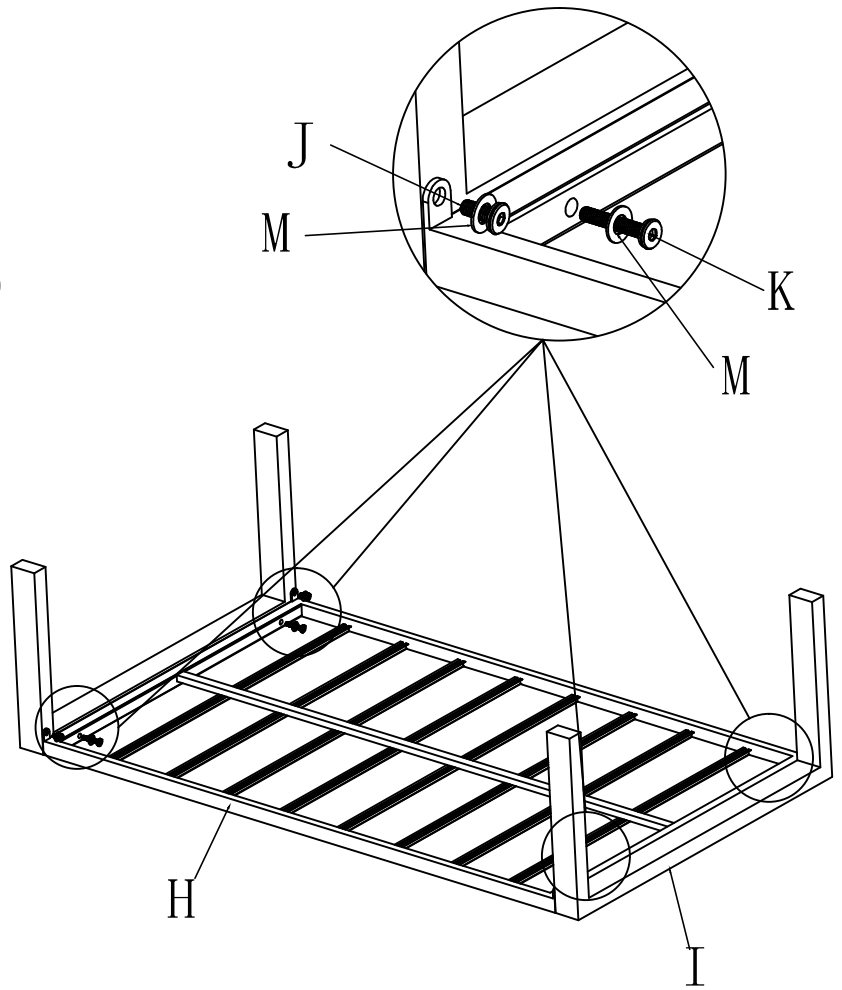
②



Please do not fully tighten the screws when assembling. Lock all screws when assembly is complete.

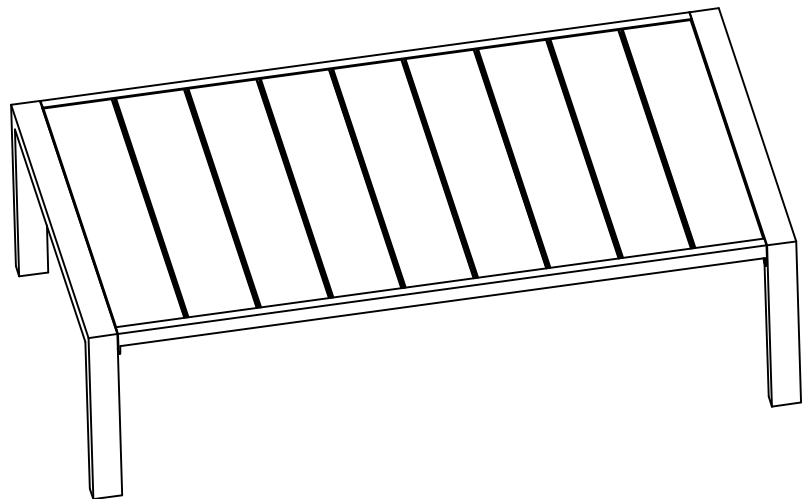


①



H		1
I		2
J	 M6*15	4
K	 M6*32	4
M	 φ13*φ6.5*1.0	8
P		1

②



Please do not fully tighten the screws when assembling. Lock all screws when assembly is complete.