

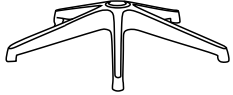



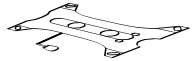

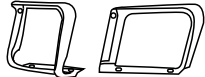



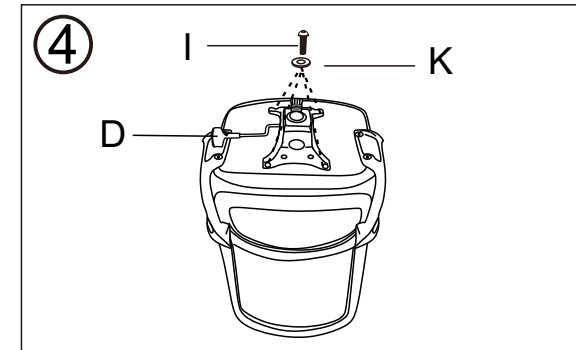
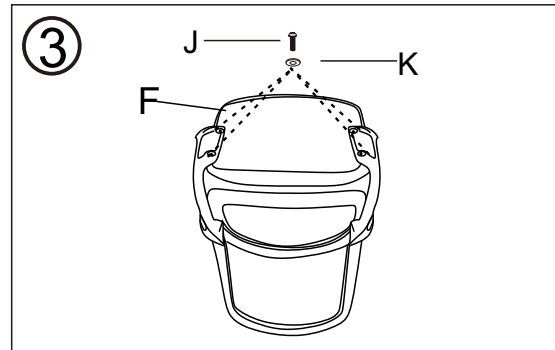
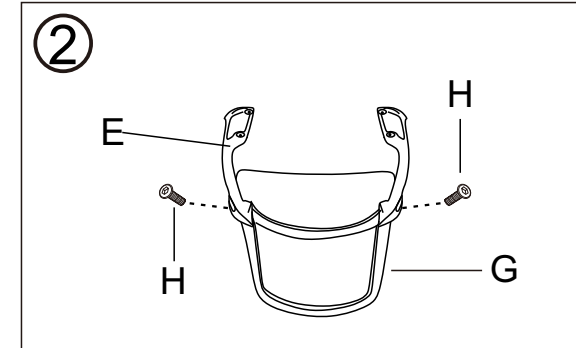
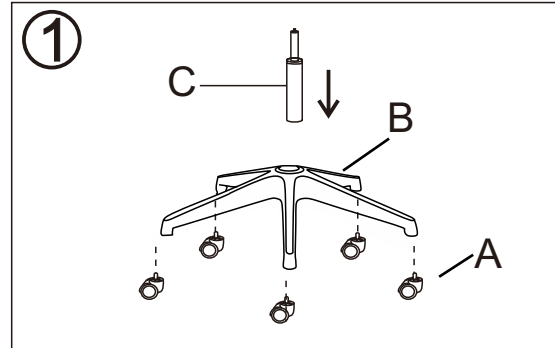


ASSEMBLY INSTRUCTION

AX5 	Hx2  6x20MM
Bx1 	Ix4  6x16MM
Cx1 	Jx4  6x25MM
Dx1 	Kx8 
Ex2 	Lx1 
Fx1 	
Gx1 	



Item Number: SK-1029E