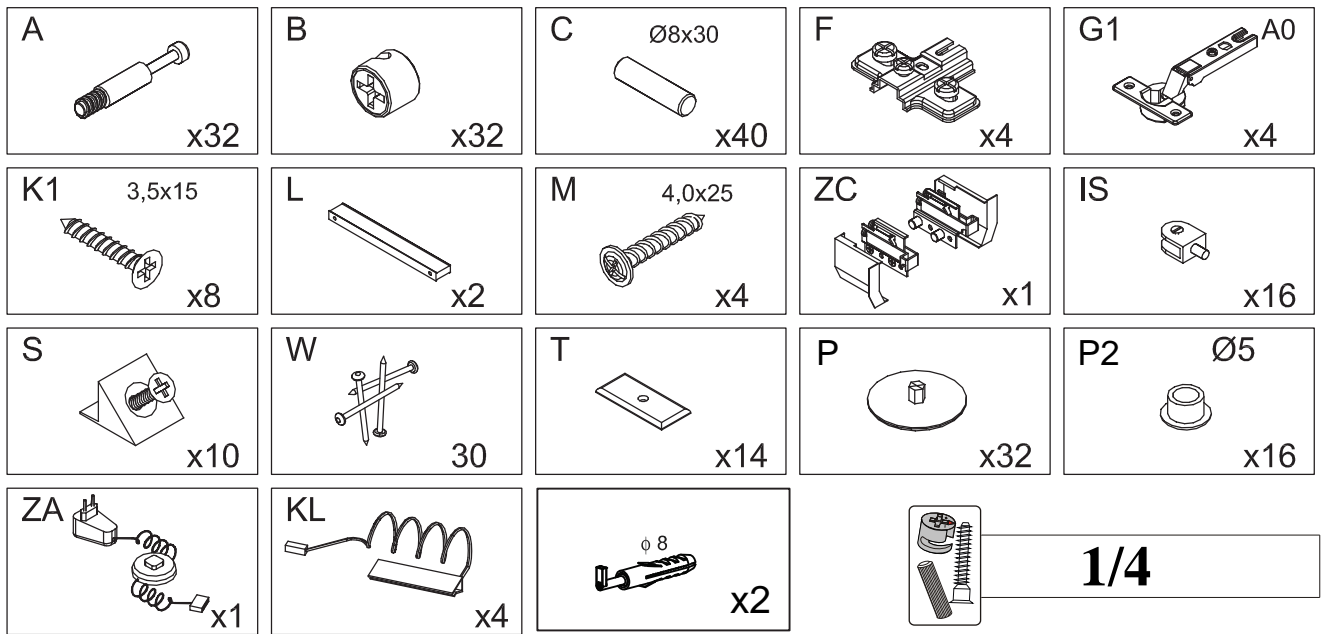
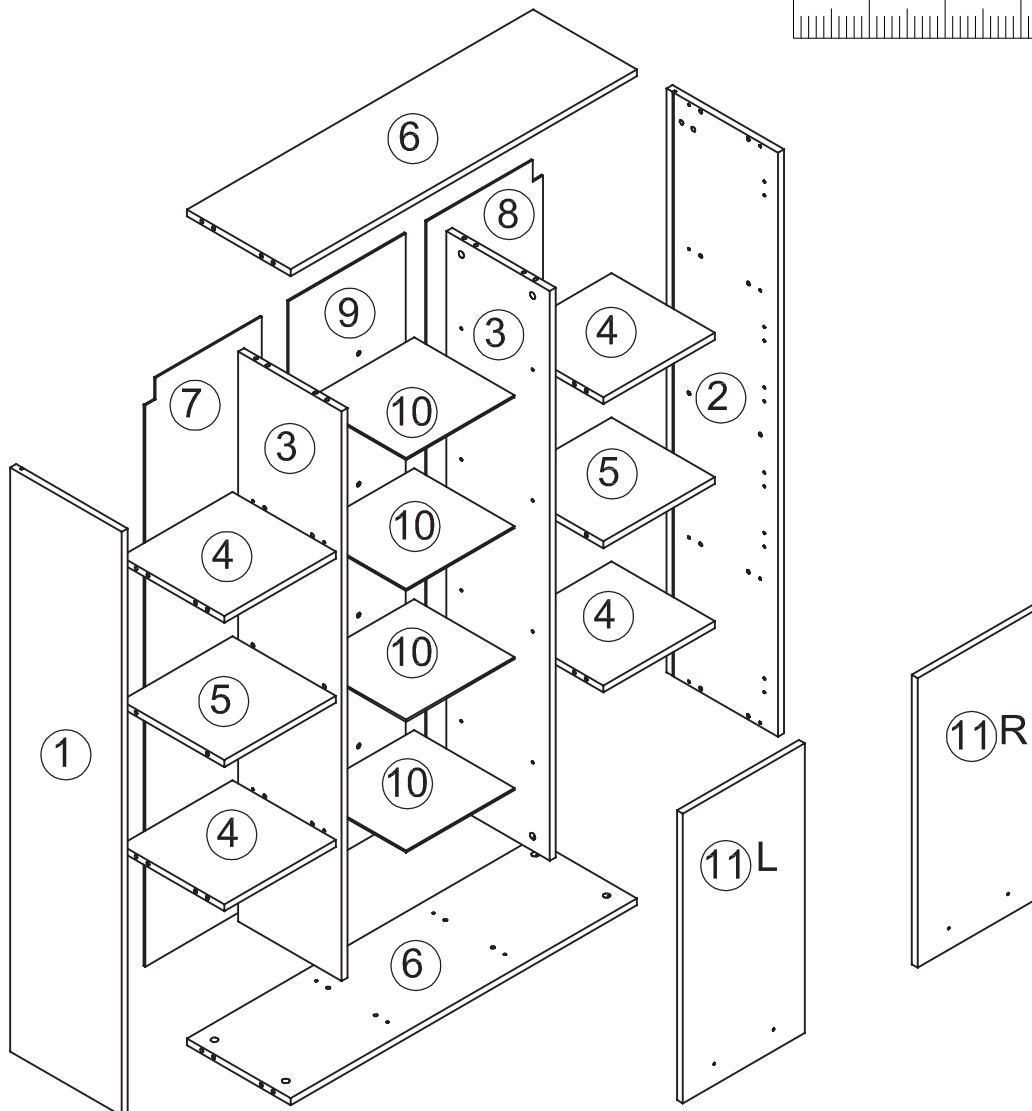
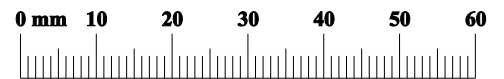


S3

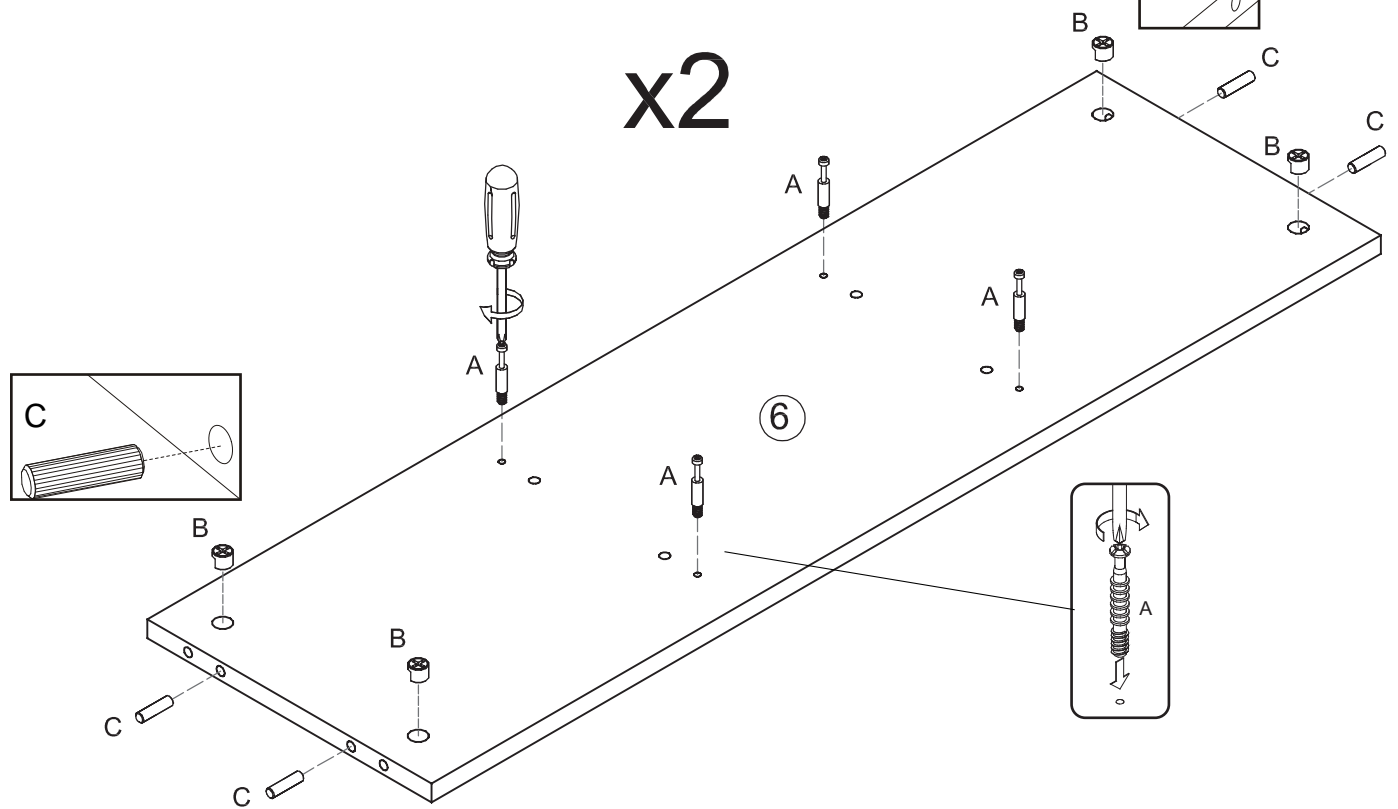
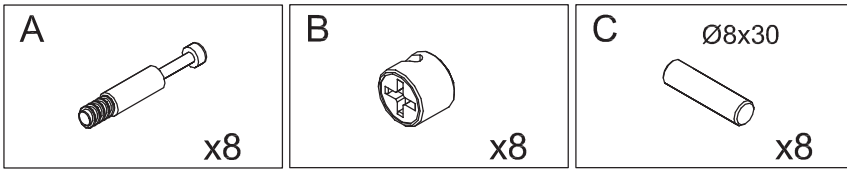


1	x1	ca. 1361 x 300 x 16	1/4
2	x1	ca. 1361 x 300 x 16	1/4
3	x2	ca. 1328 x 278 x 16	1/4
4	x4	ca. 300 x 278 x 16	3/4
5	x2	ca. 300 x 278 x 16	3/4
6	x2	ca. 932 x 279 x 16	3/4

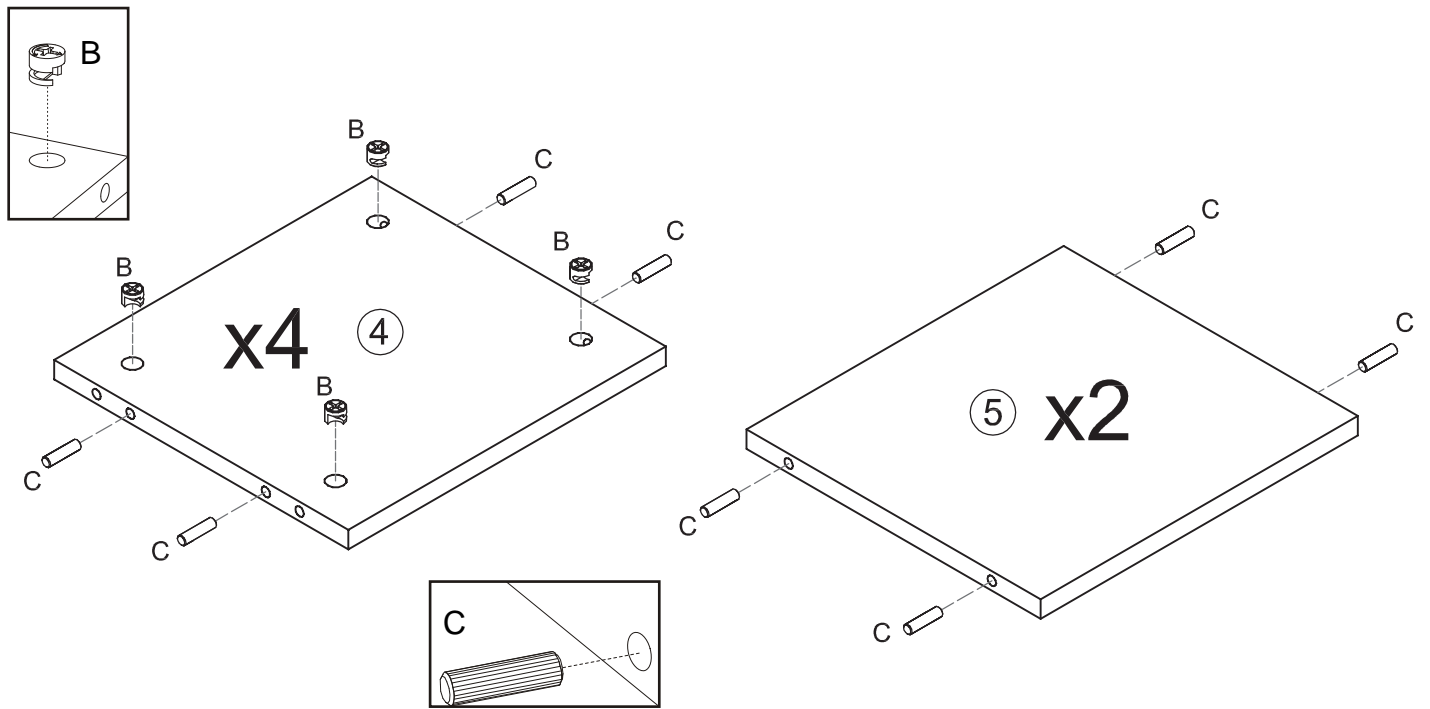
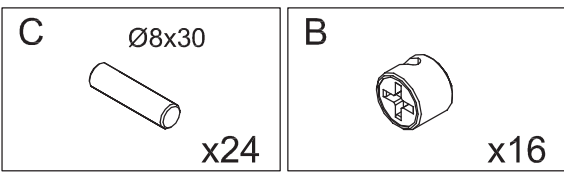
7	x1	ca. 1358 x 314 x 3	1/4
8	x1	ca. 1358 x 314 x 3	1/4
9	x1	ca. 1358 x 314 x 3	1/4
10	x4	ca. 290 x 270 x 5	3/4
11	x2	ca. 675 x 328 x 16	1/4



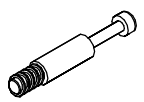
1

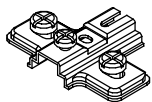



2

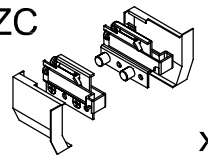


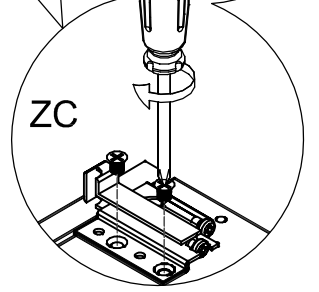
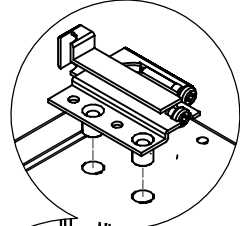
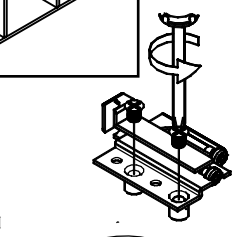
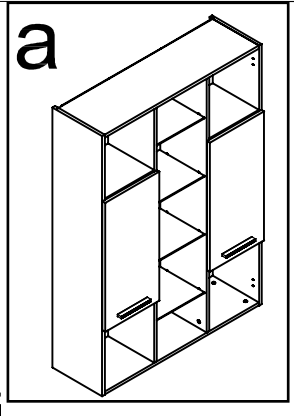
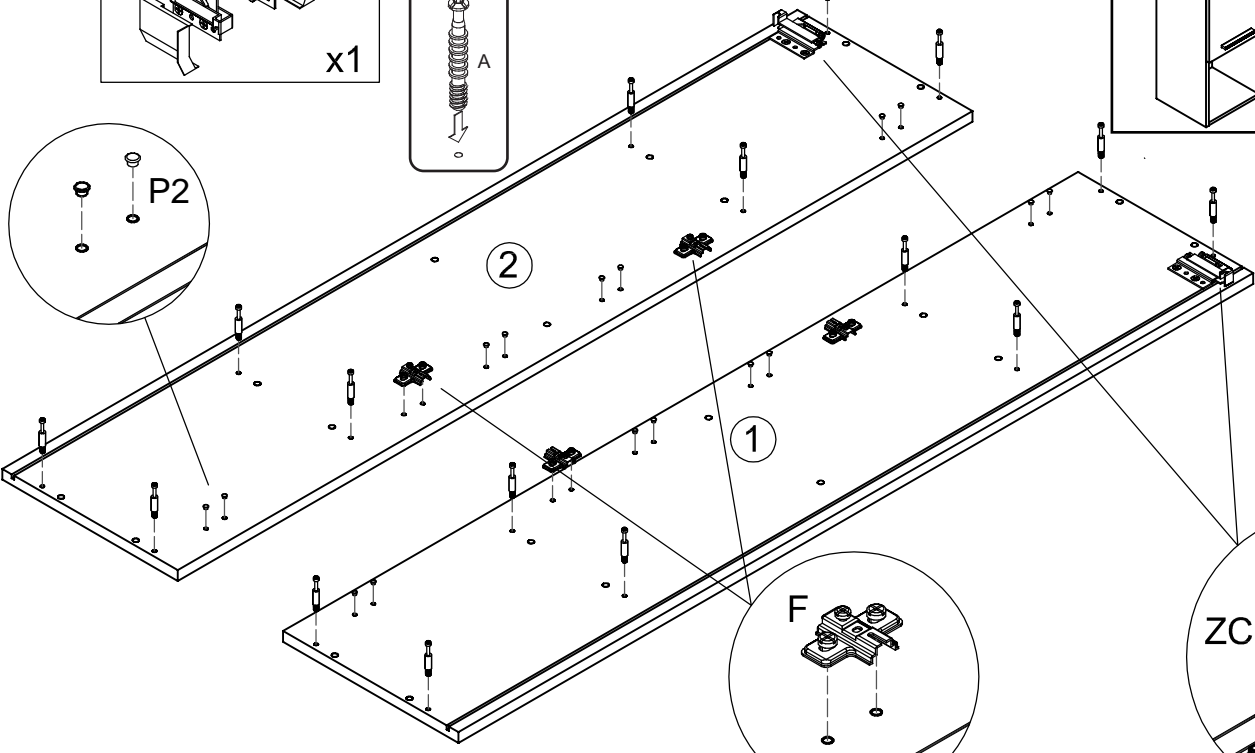
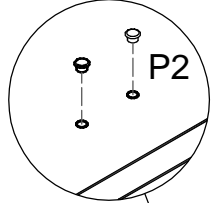
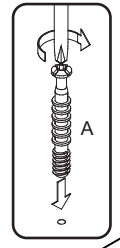
3a

A

x32

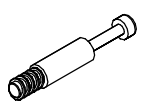
F

x4

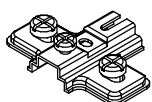
P2 Ø5

x16


ZC

x1

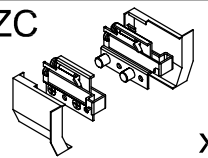


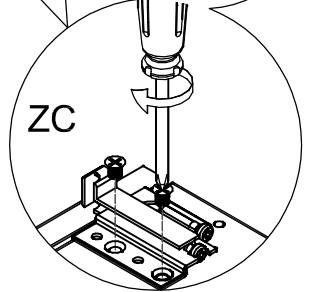
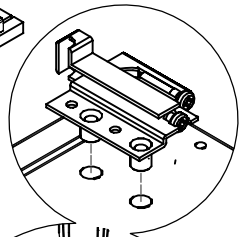
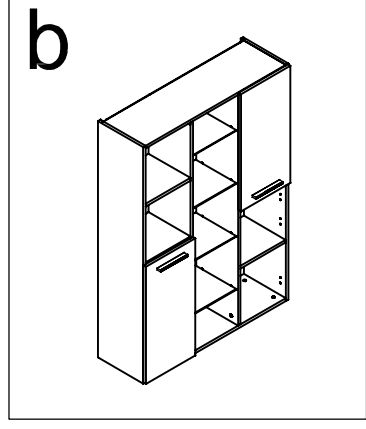
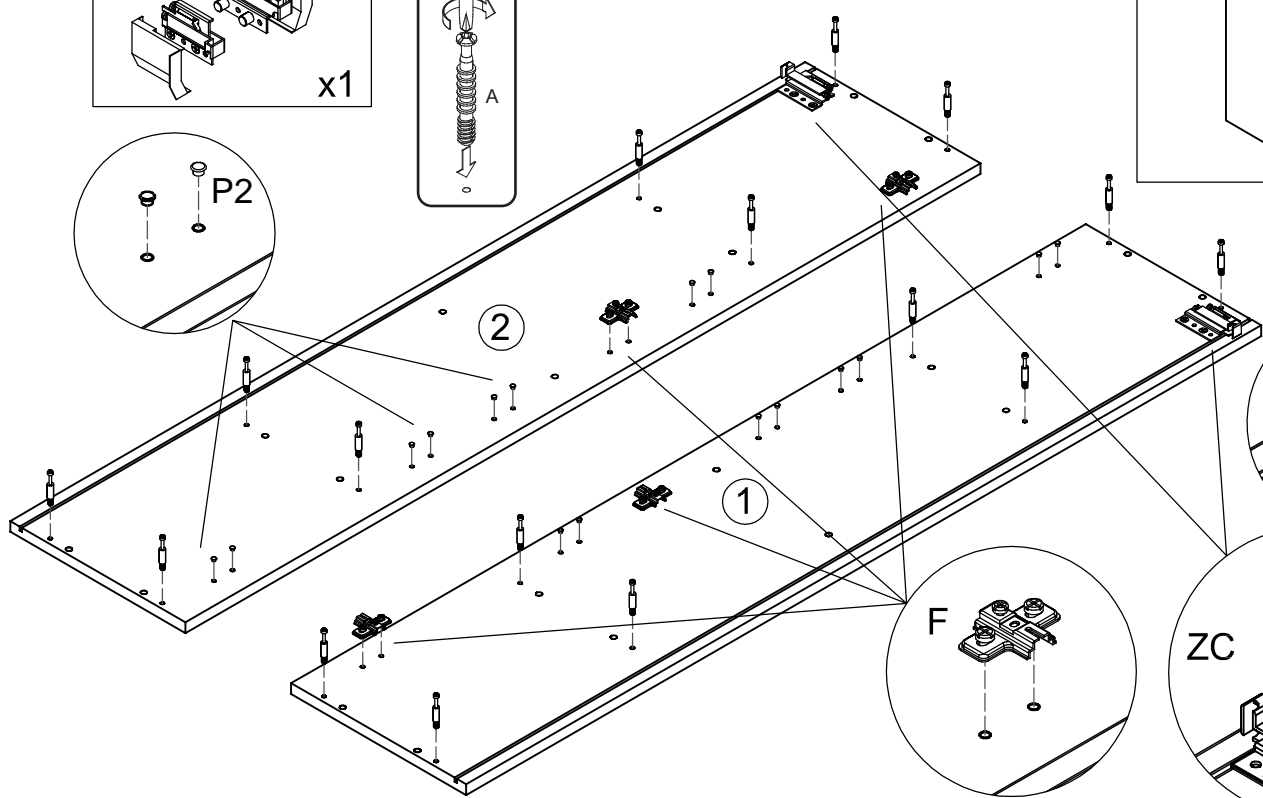
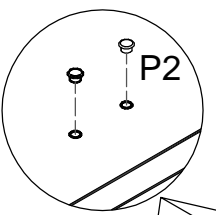
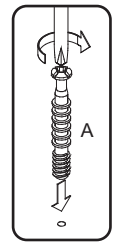
3b

A

x32

F

x4

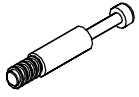
P2 Ø5

x16

ZC

x1



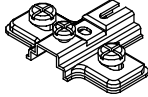
3c

A



x32

F



x4

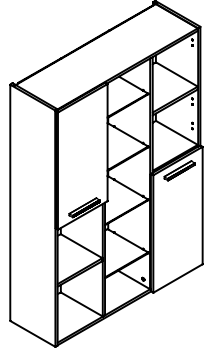
P2

Ø5

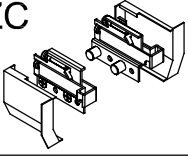


x16

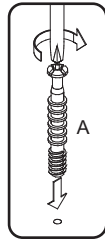
C



ZC

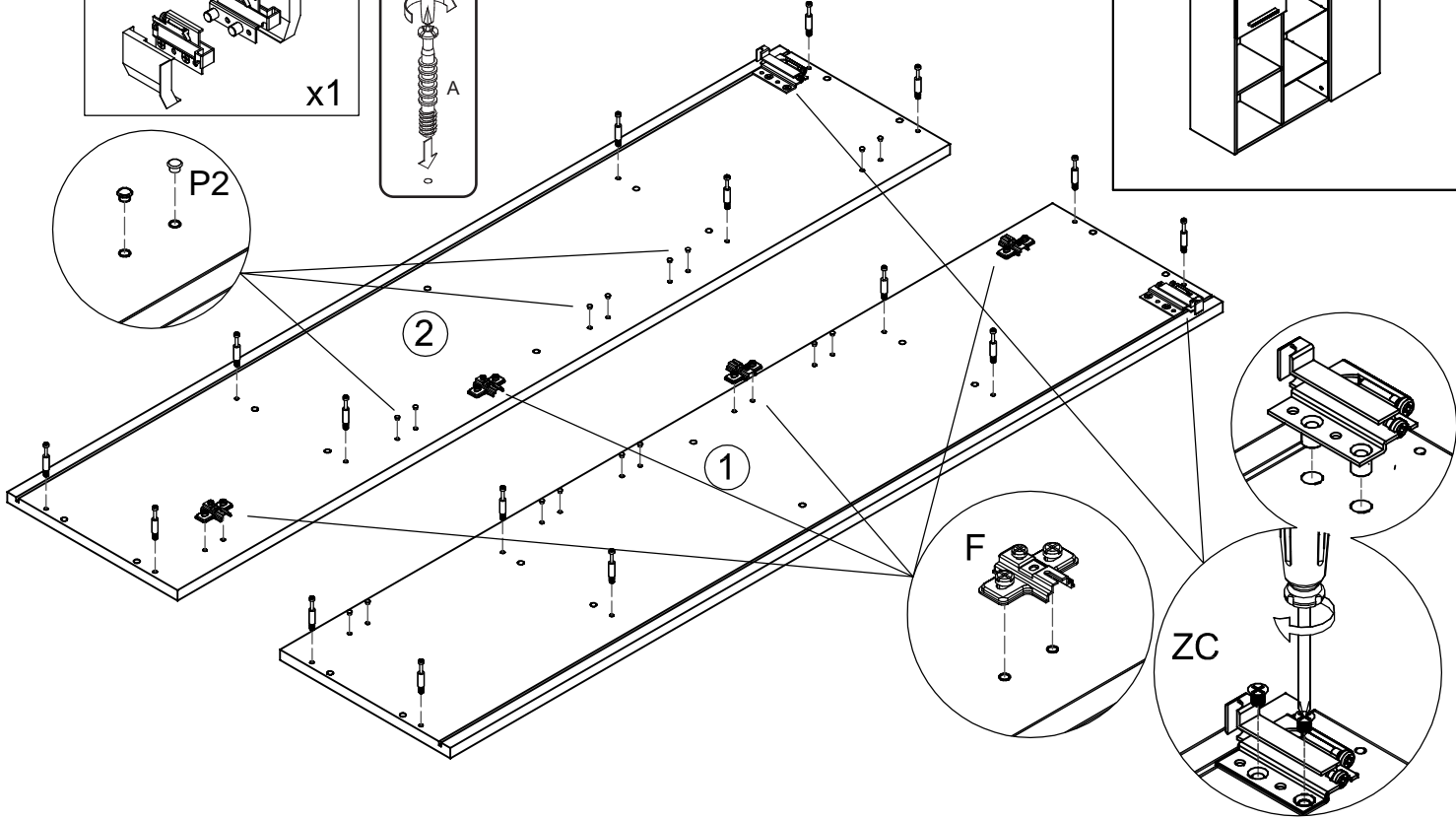


x1



2

1



4

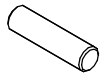
B



x4

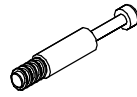
C

Ø8x30



x4

A

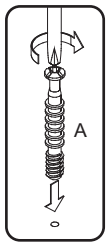


x4

IS

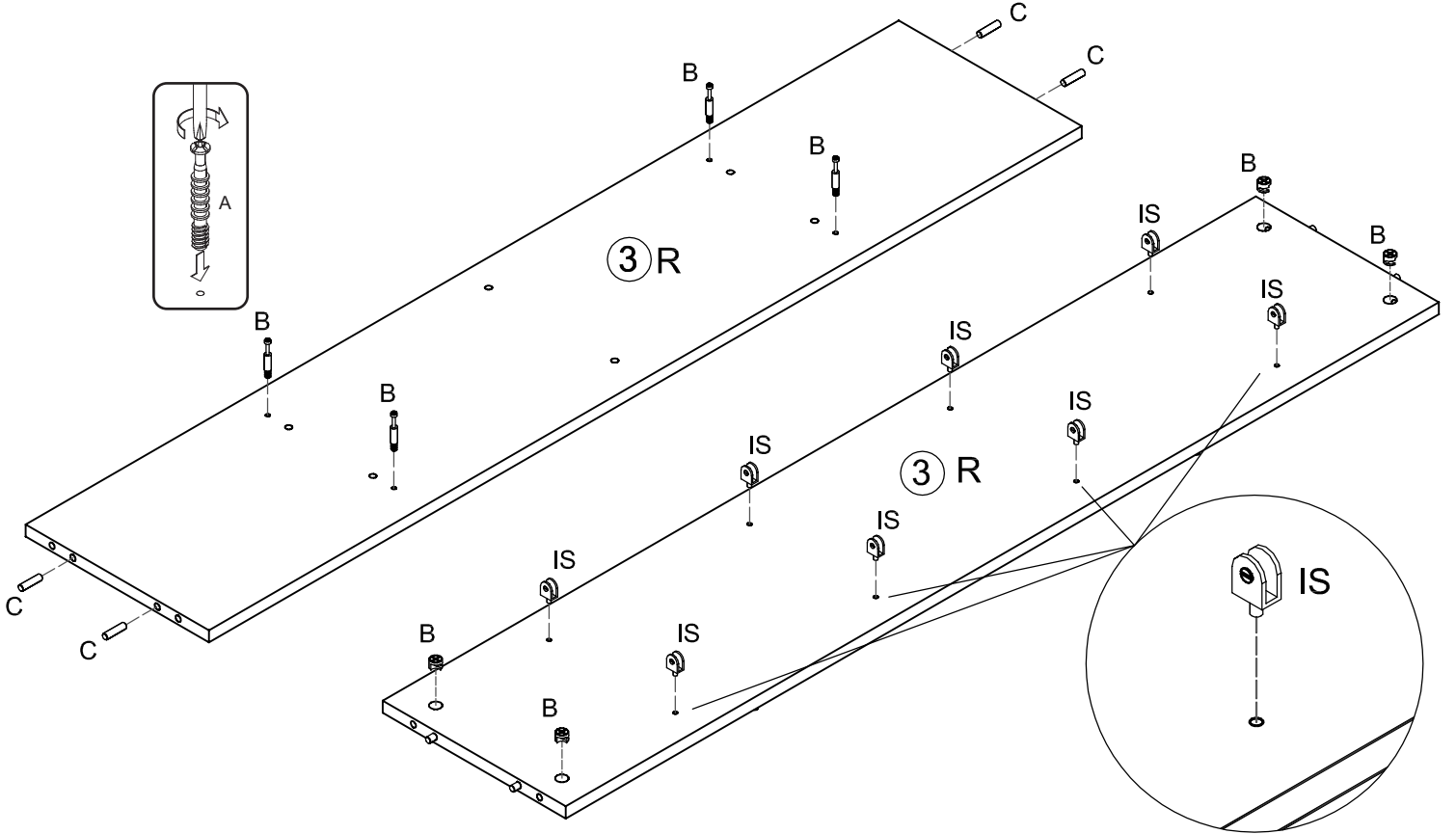


x8

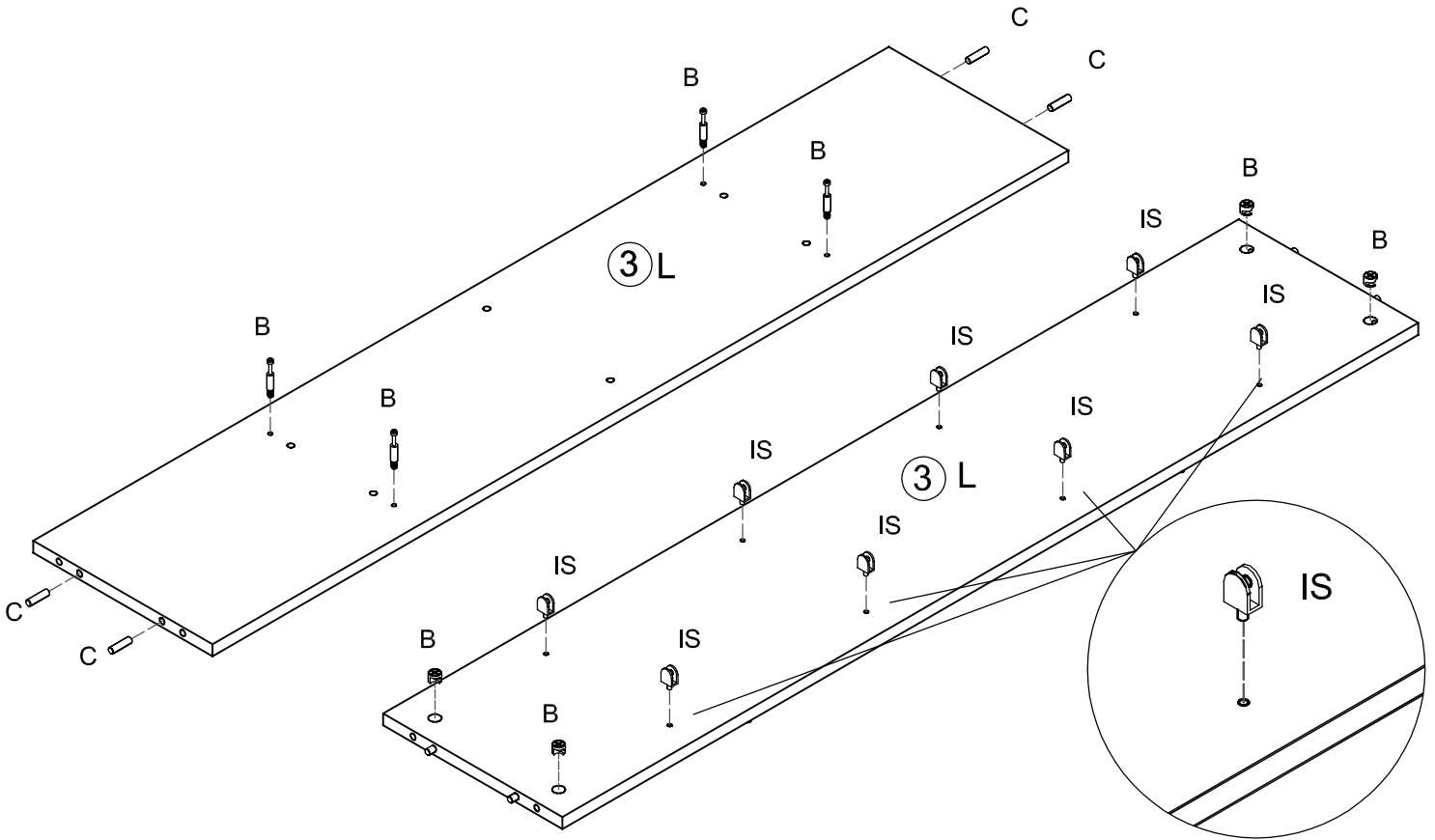
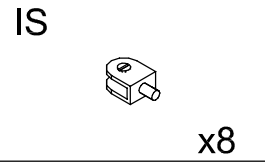
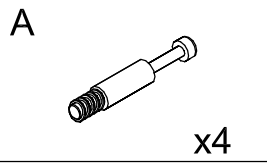
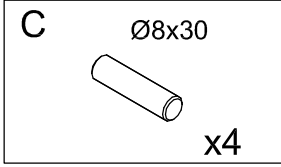
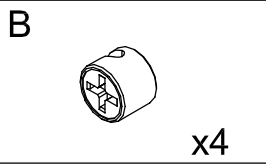


3 R

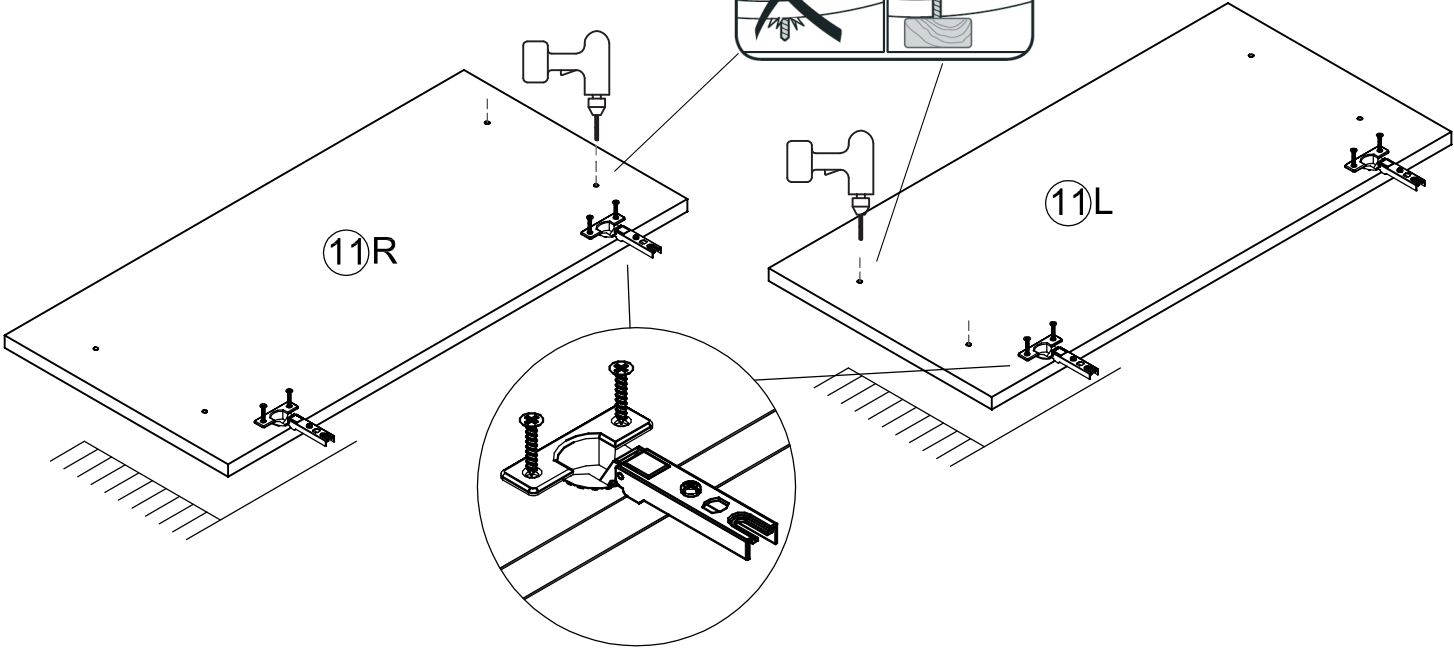
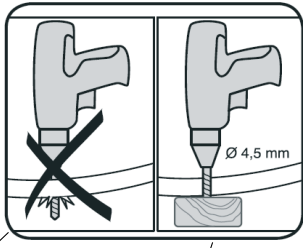
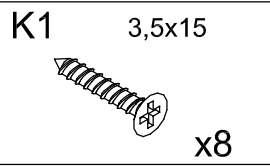
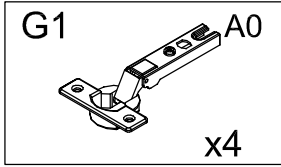
3 R



5

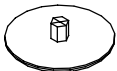


6

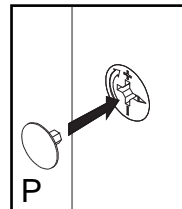
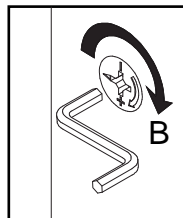
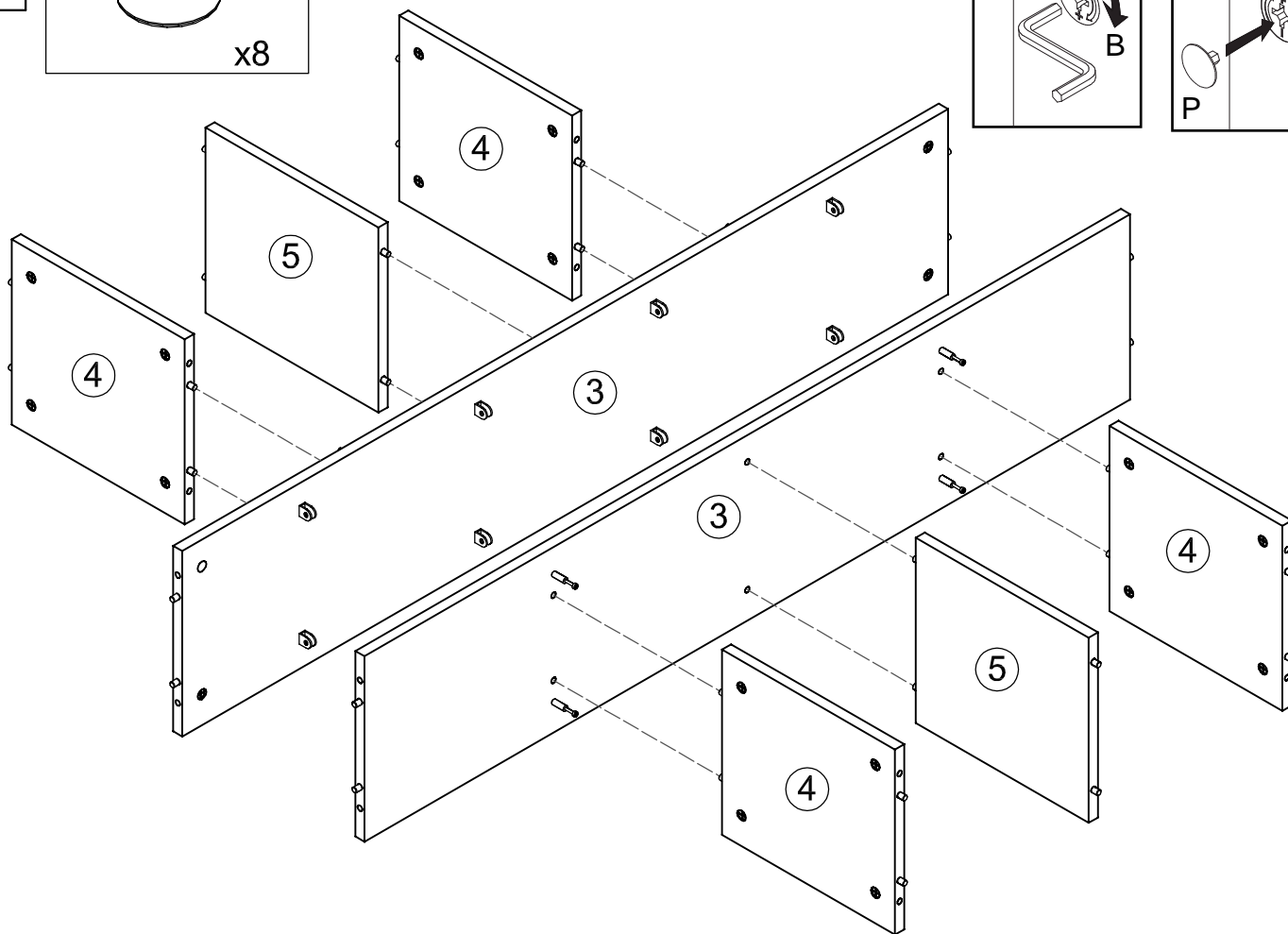


7

P

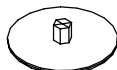


x8

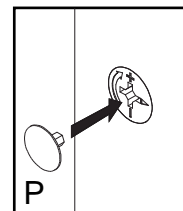
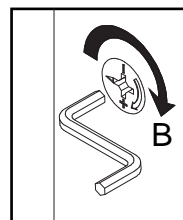
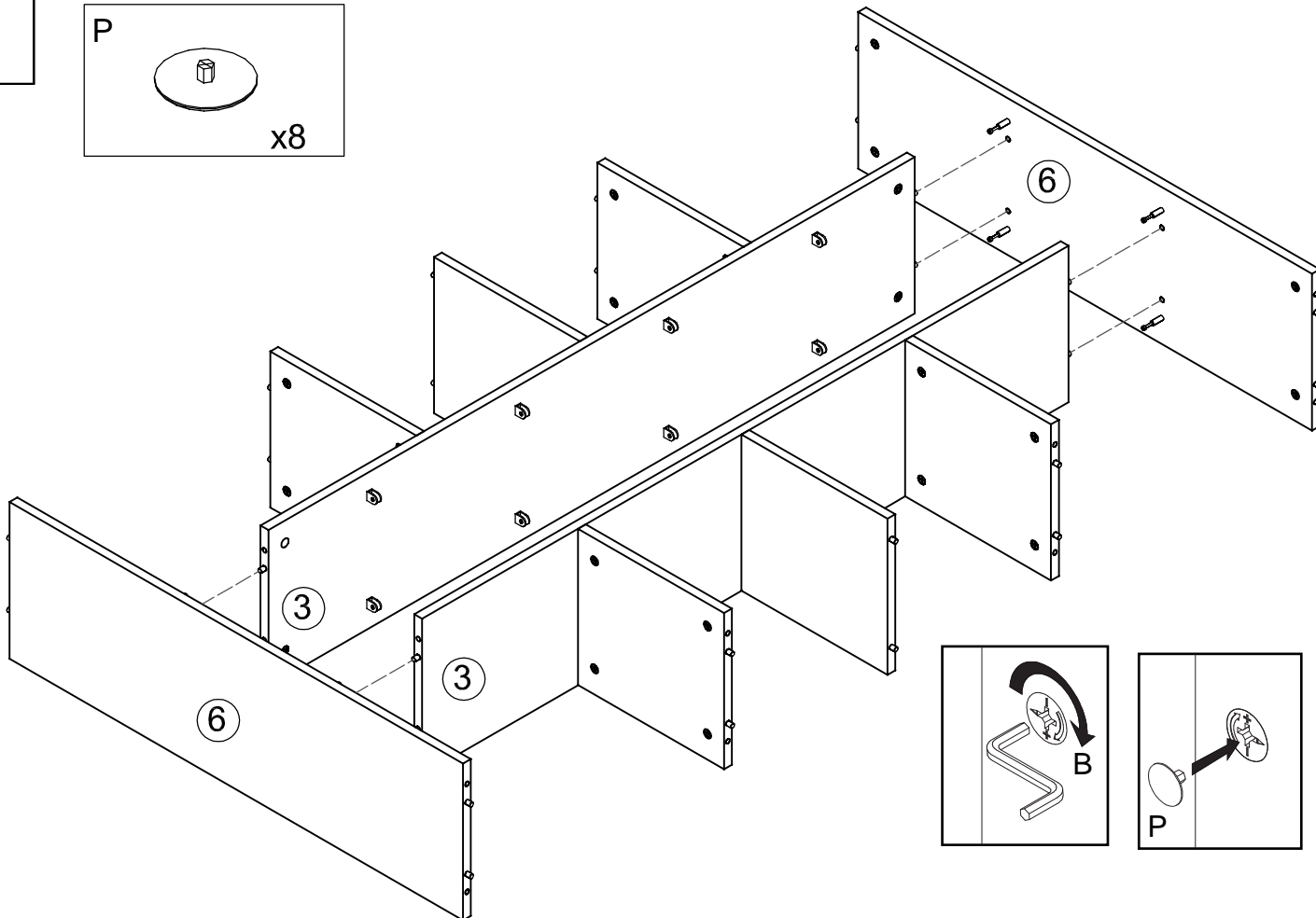


8

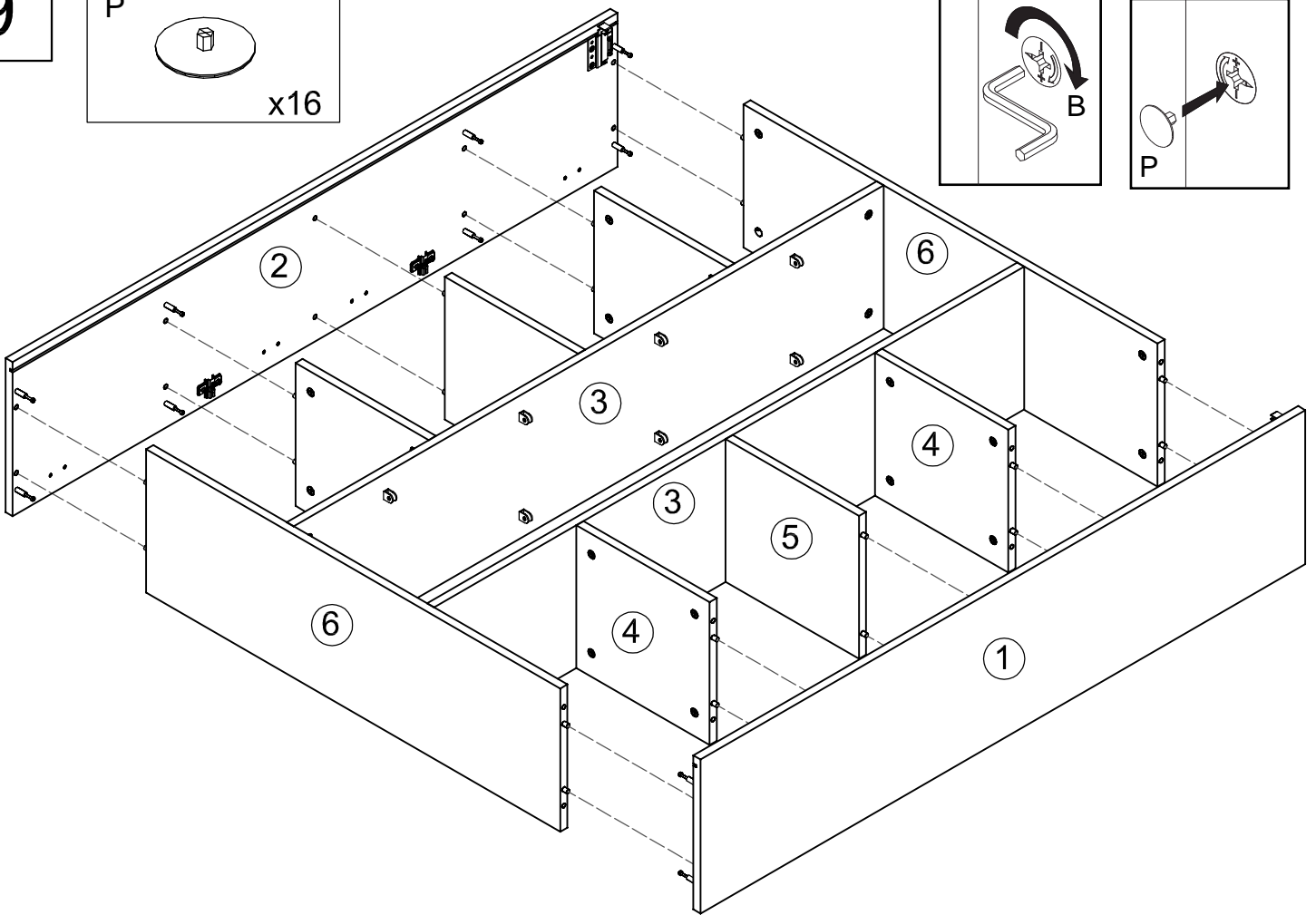
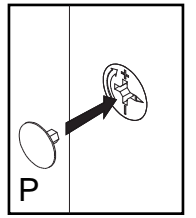
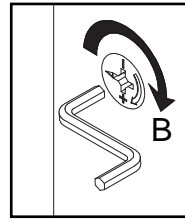
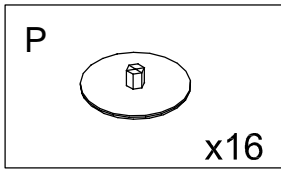
P



x8

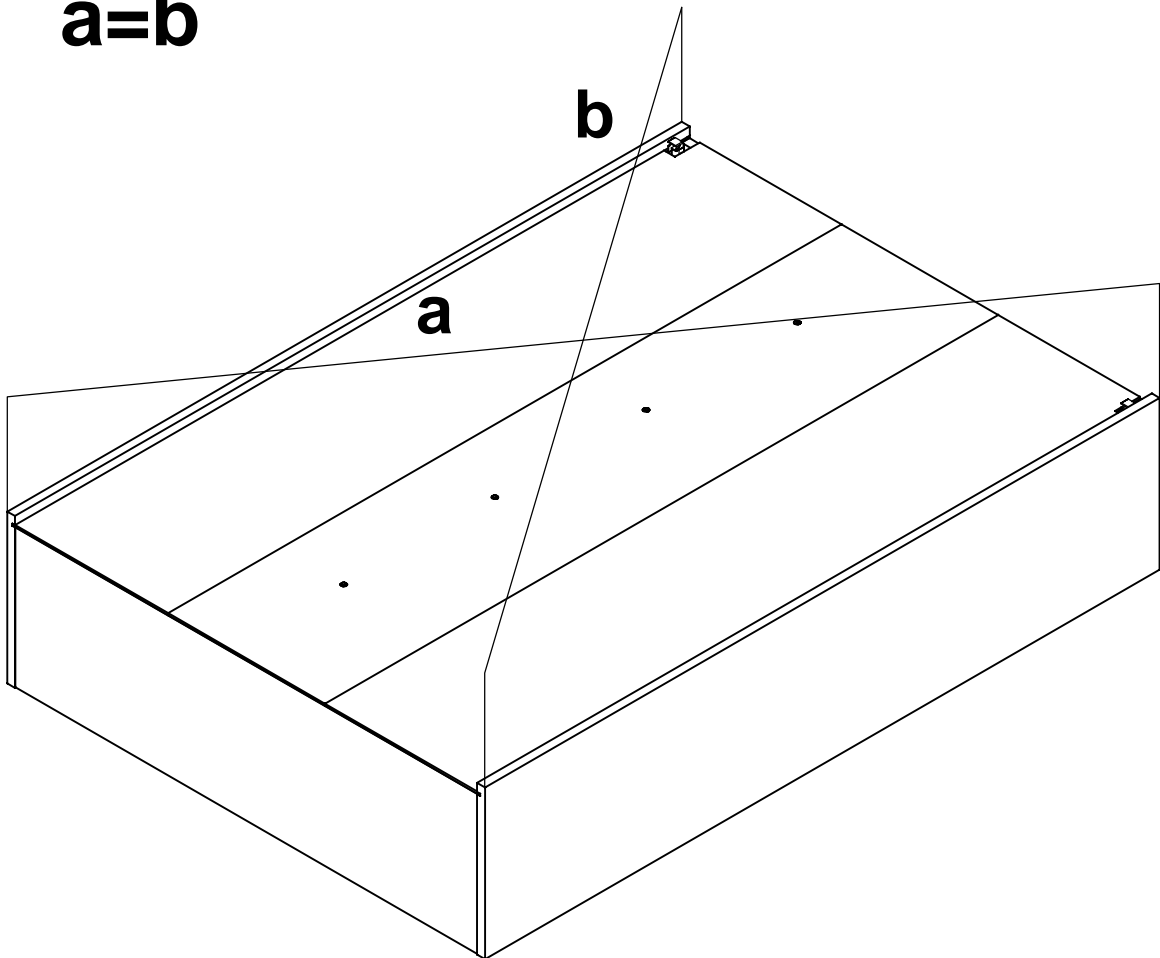


9

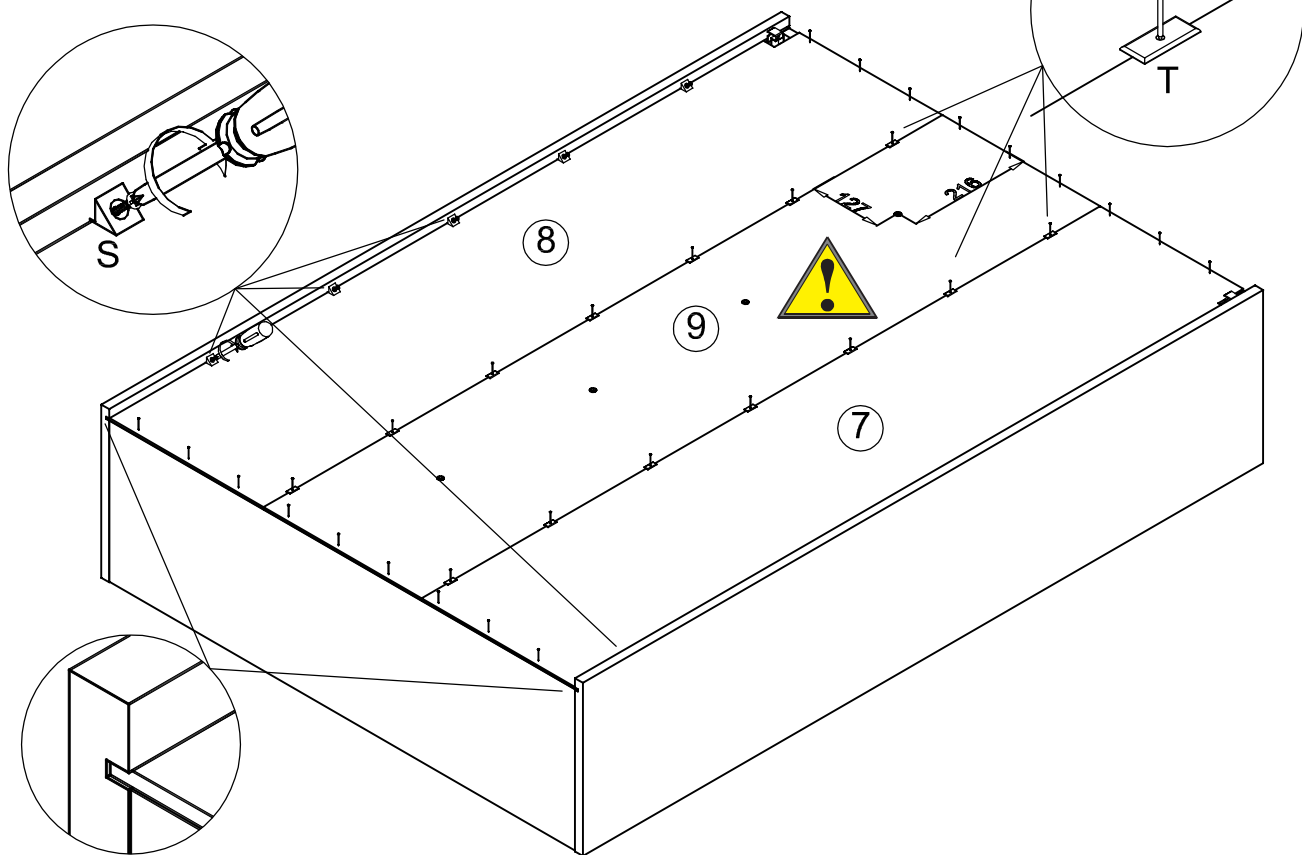
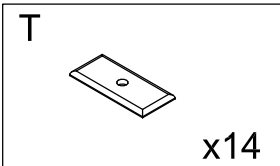
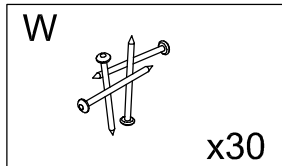
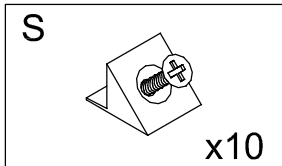


10

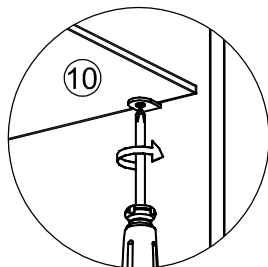
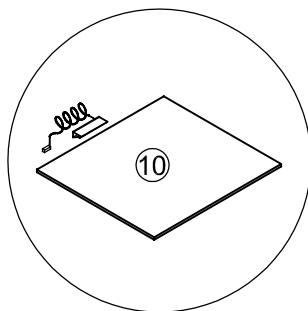
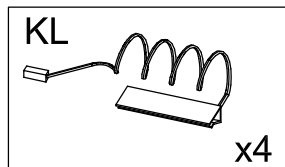
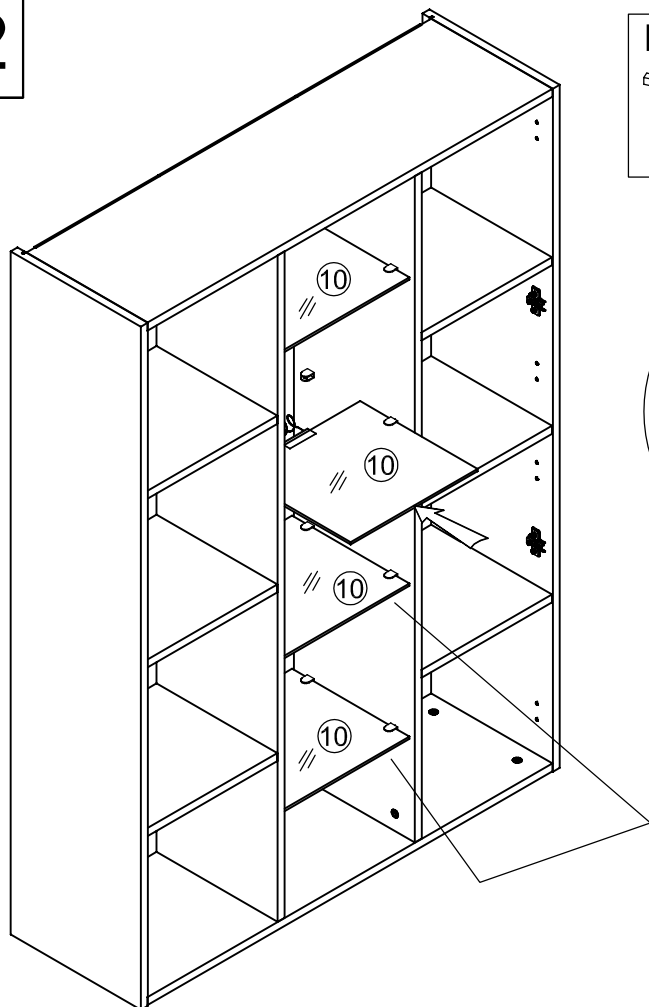
$a=b$



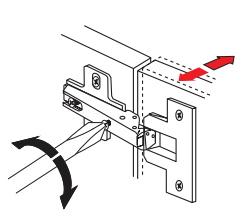
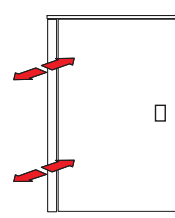
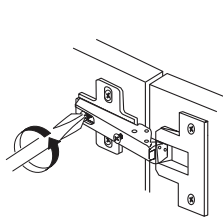
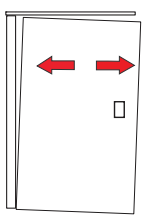
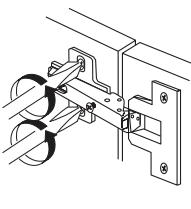
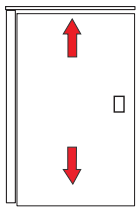
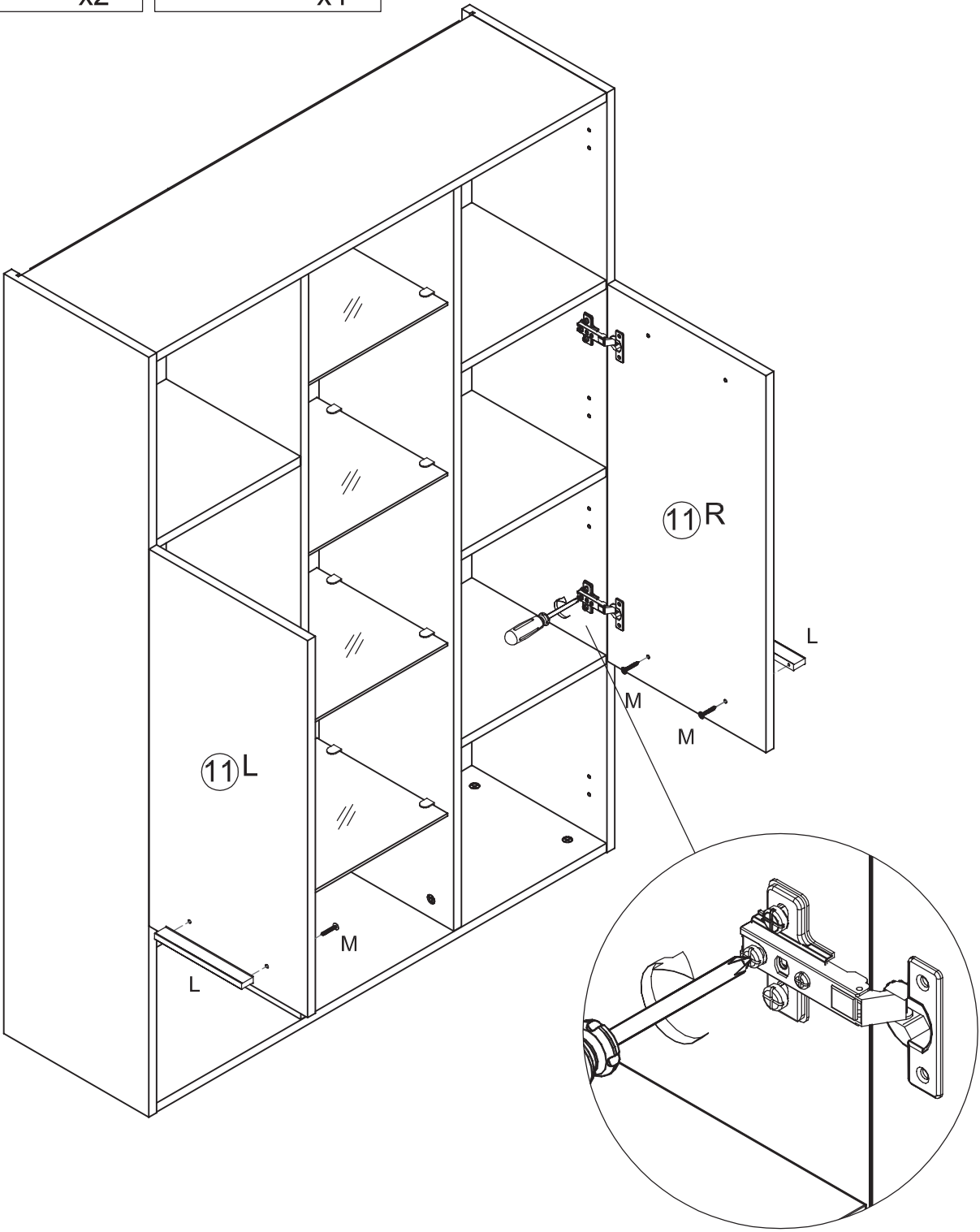
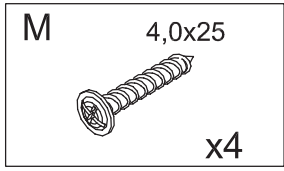
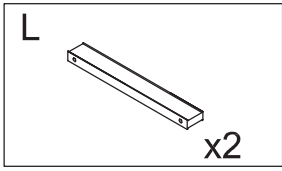
11



12



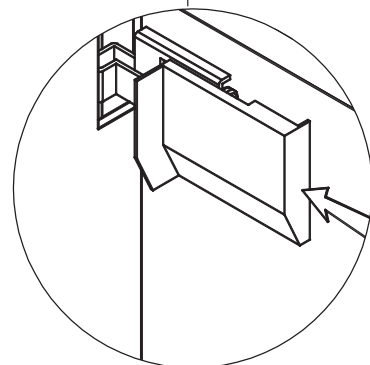
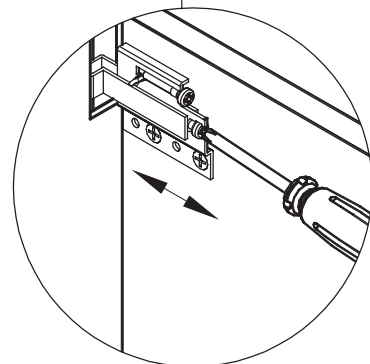
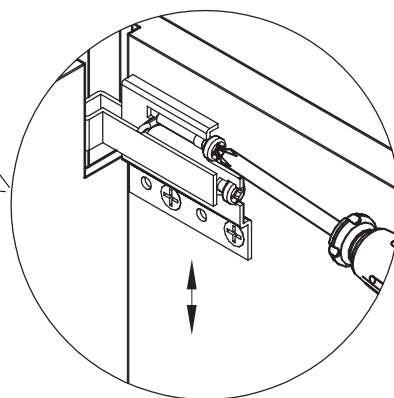
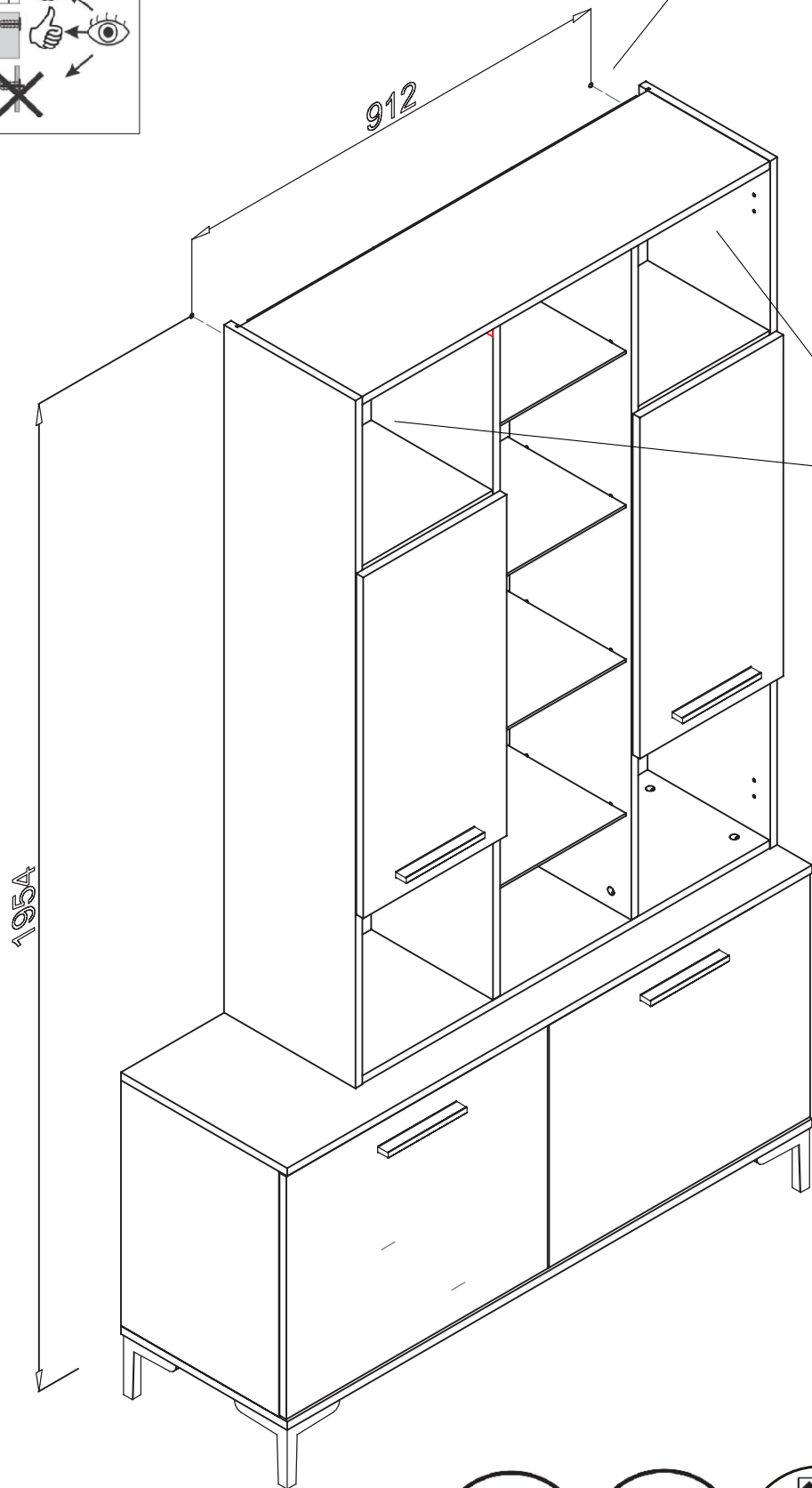
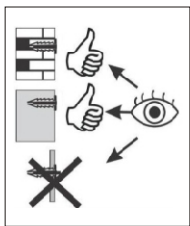
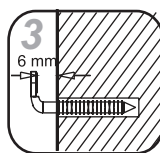
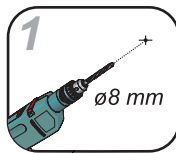
13



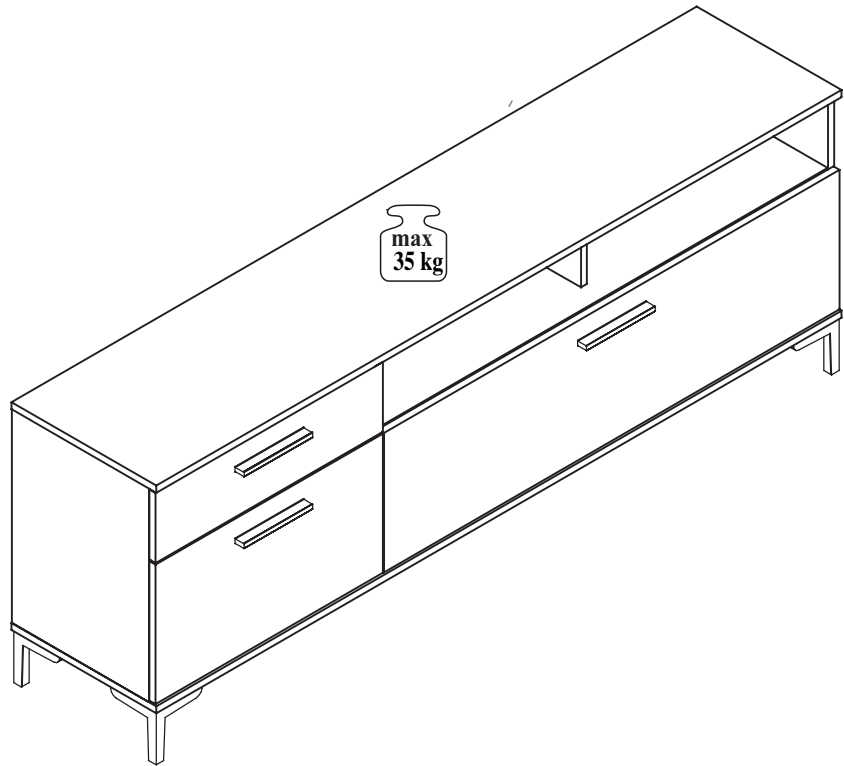
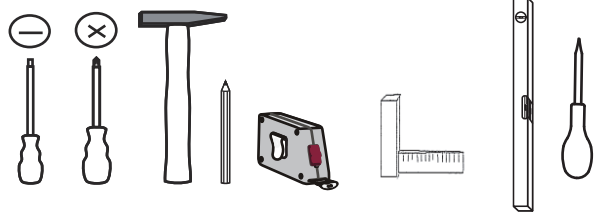
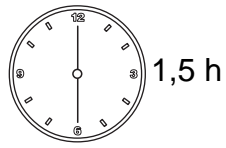
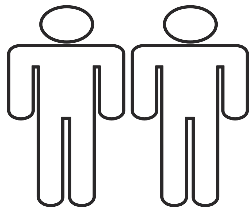
14



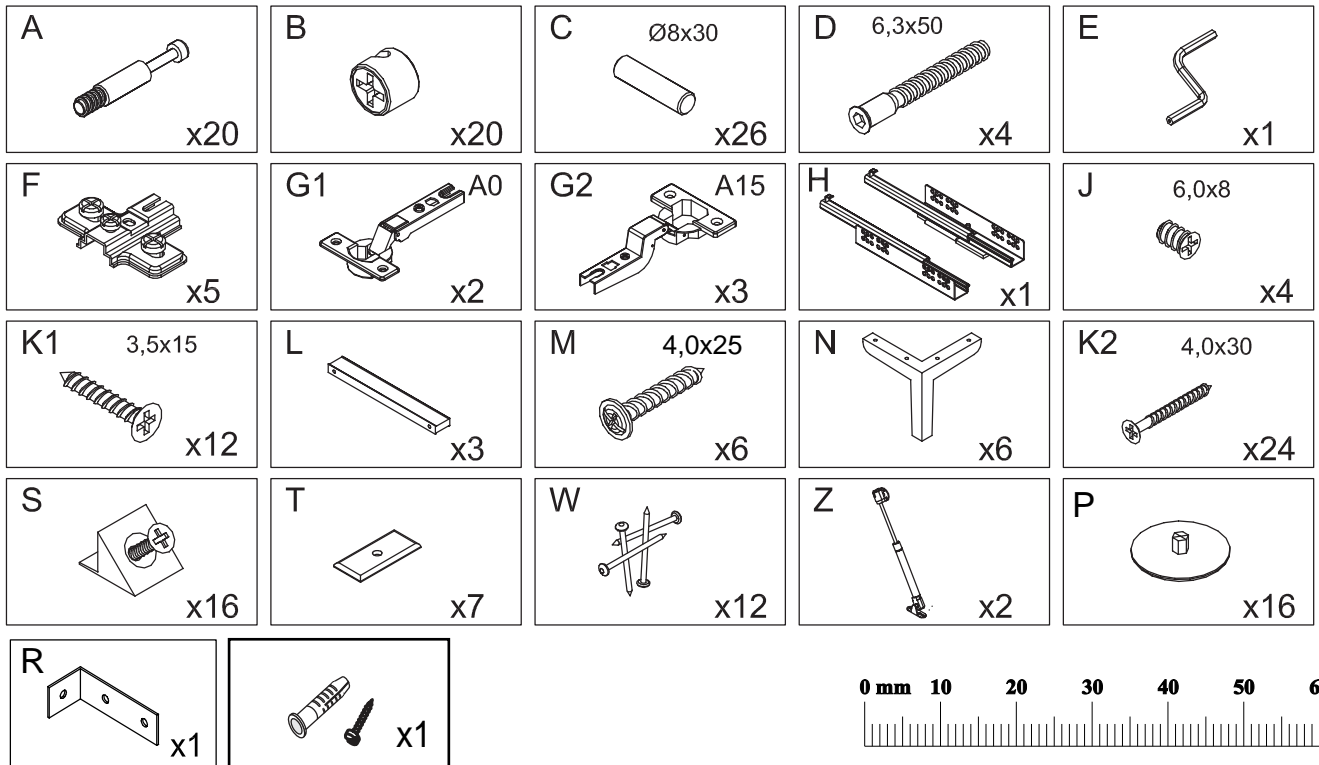
x2





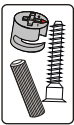


S1

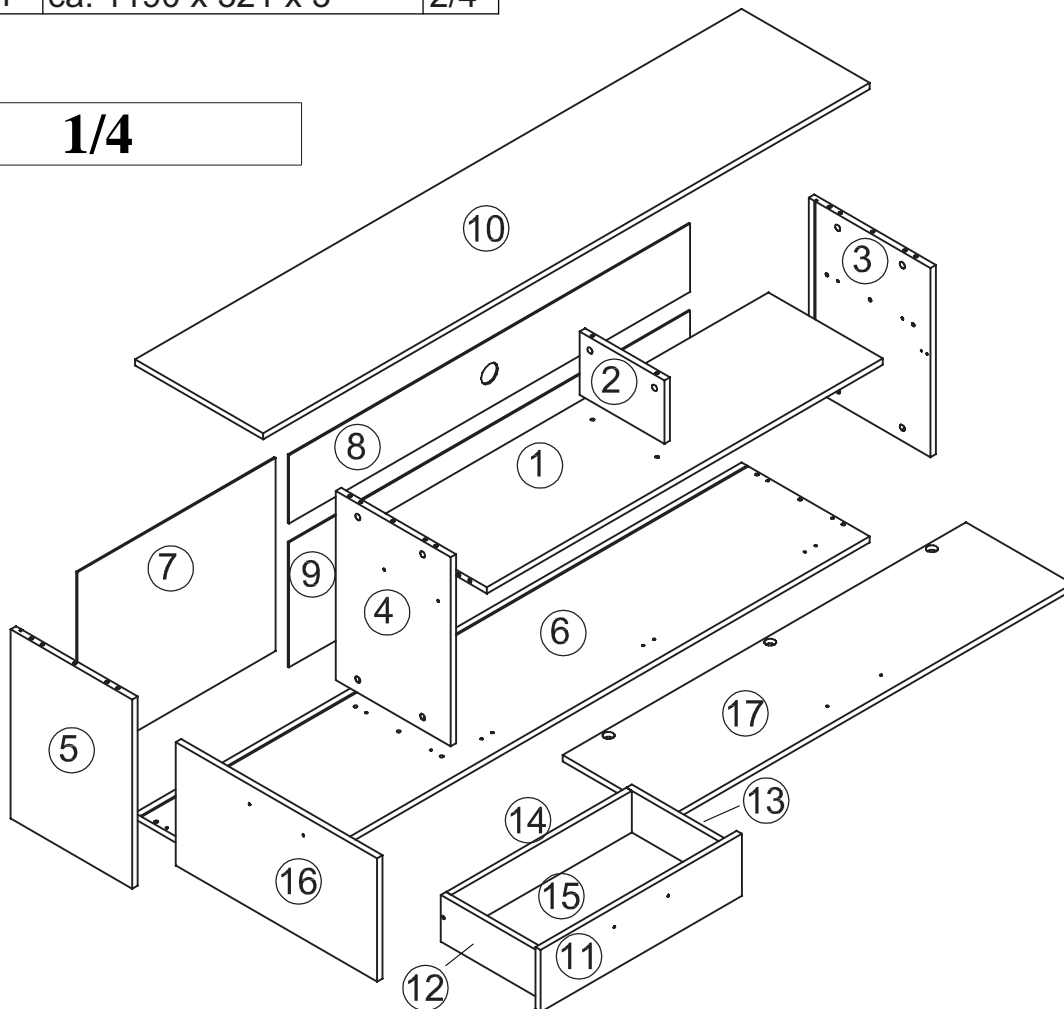


1	x1	ca. 1176 x 340 x 16	2/4
2	x1	ca. 163 x 252 x 16	3/4
3	x1	ca. 486 x 361 x 16	3/4
4	x1	ca. 486 x 341 x 16	3/4
5	x1	ca. 486 x 361 x 16	3/4
6	x1	ca. 1800 x 380 x 16	2/4
7	x1	ca. 588 x 496 x 3	3/4
8	x1	ca. 1190 x 175 x 3	2/4
9	x1	ca. 1190 x 321 x 3	2/4

10	x1	ca. 1800 x 380 x 16	2/4
11	x1	ca. 597 x 160 x 16	3/4
12	x1	ca. 300 x 120 x 16	3/4
13	x1	ca. 300 x 120 x 16	3/4
14	x1	ca. 535 x 107 x 16	3/4
15	x1	ca. 548 x 307 x 3	3/4
16	x1	ca. 597 x 317 x 16	2/4
17	x1	ca. 1197 x 317 x 16	2/4

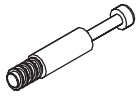


1/4

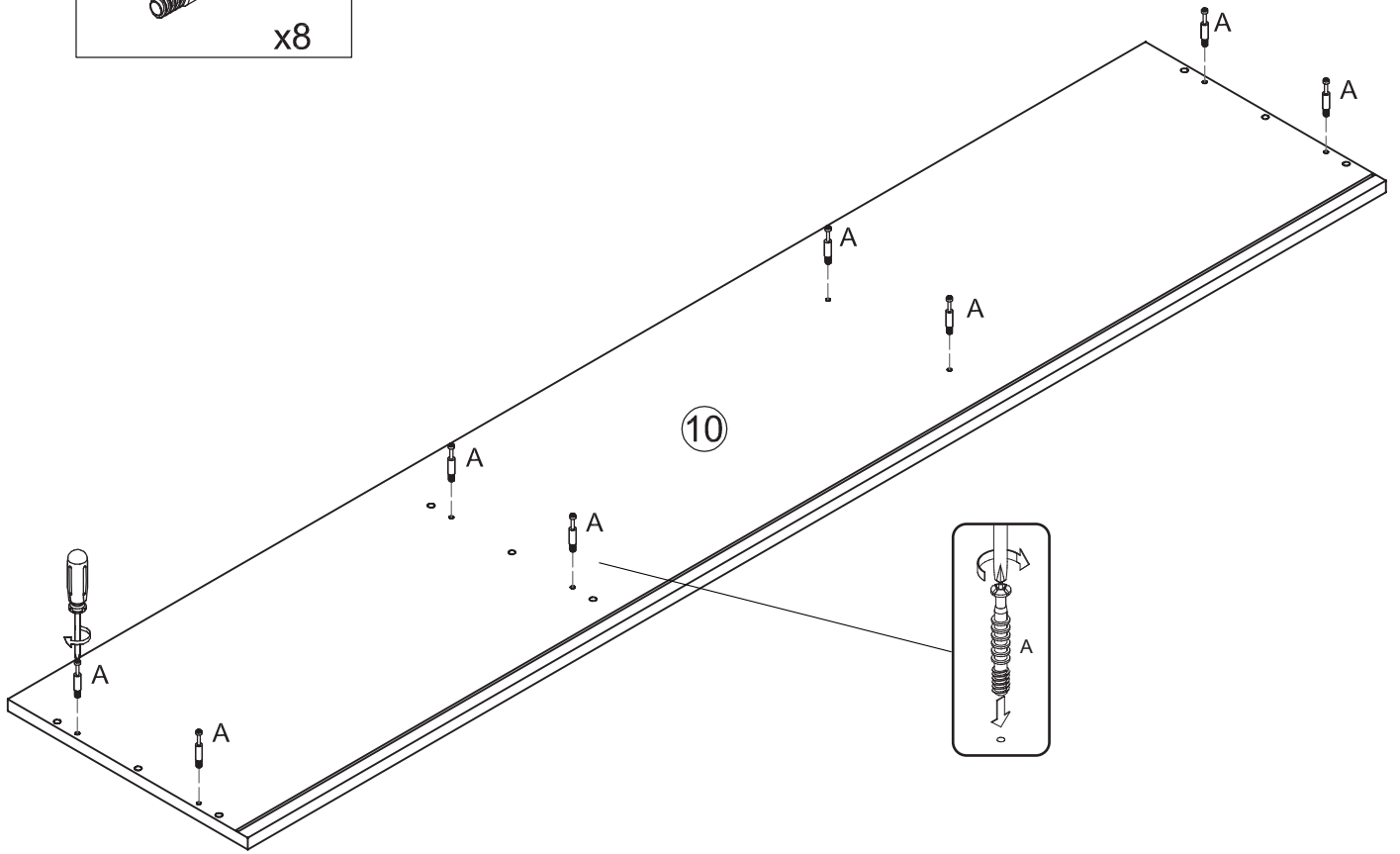


1

A

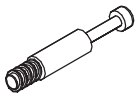


x8



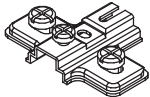
2

A

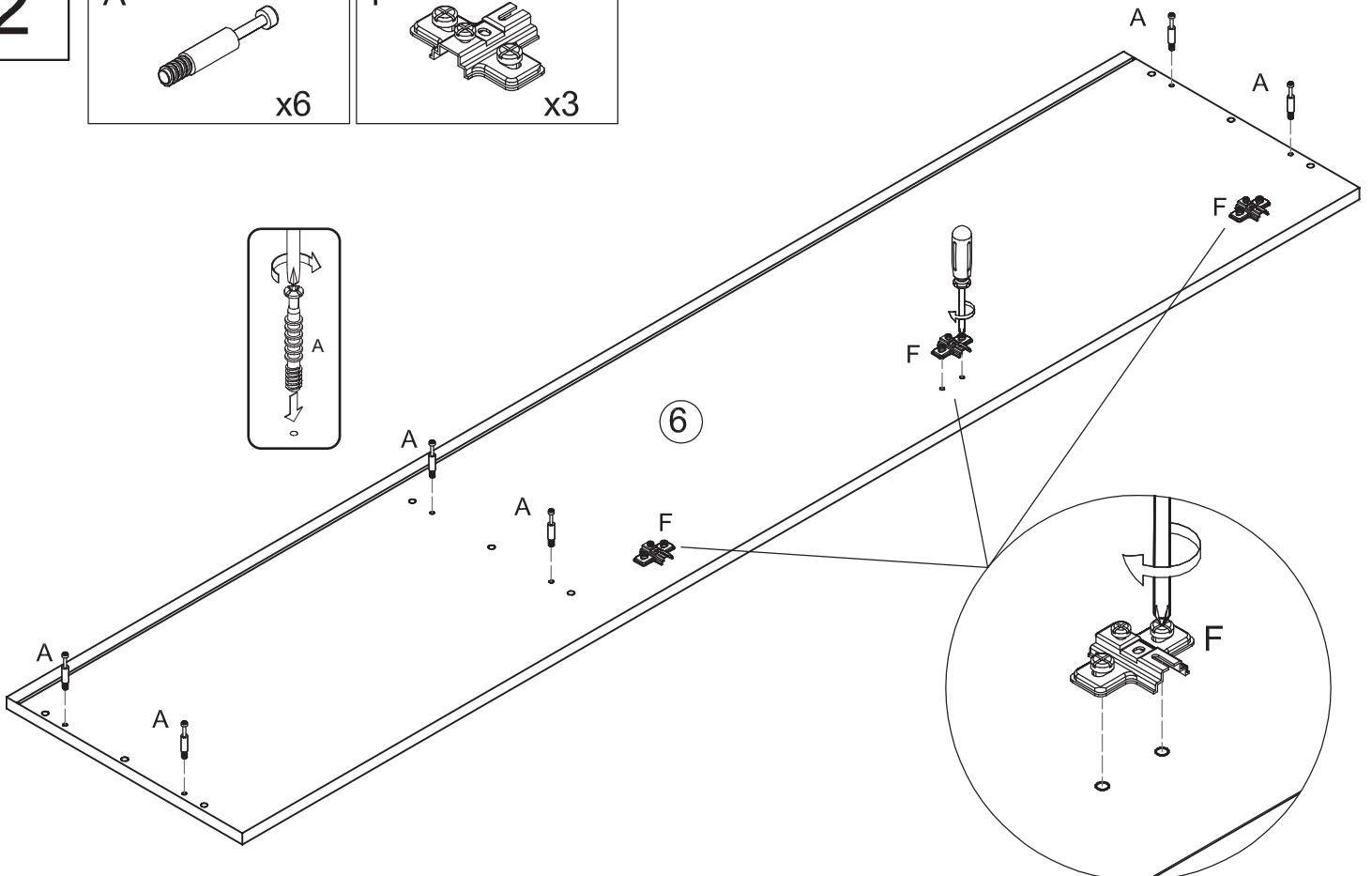


x6

F

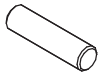


x3



3

C Ø8x30

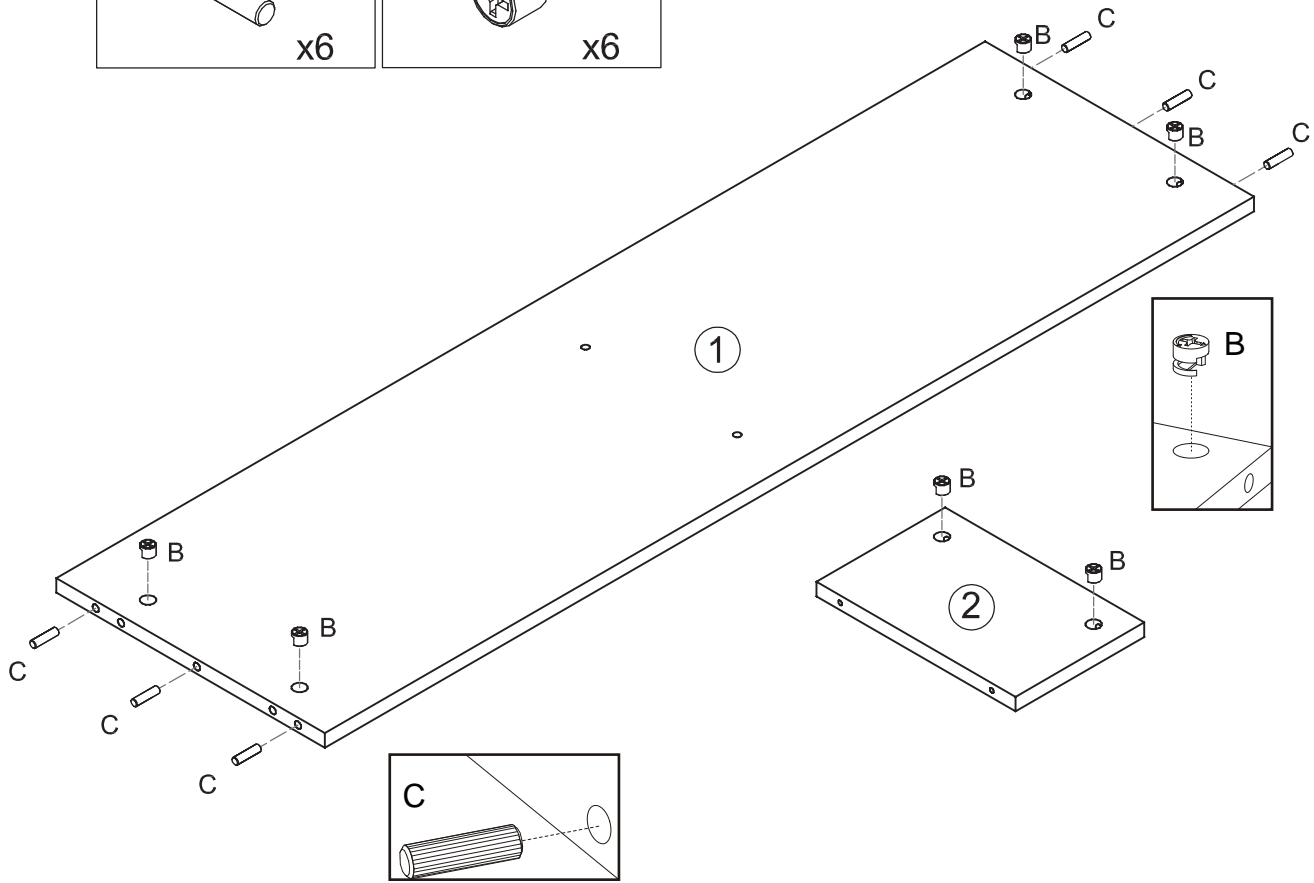


x6

B

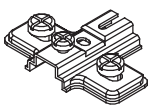


x6



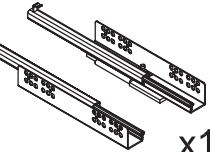
4

F



x2

H



x1

C Ø8x30



x12

B

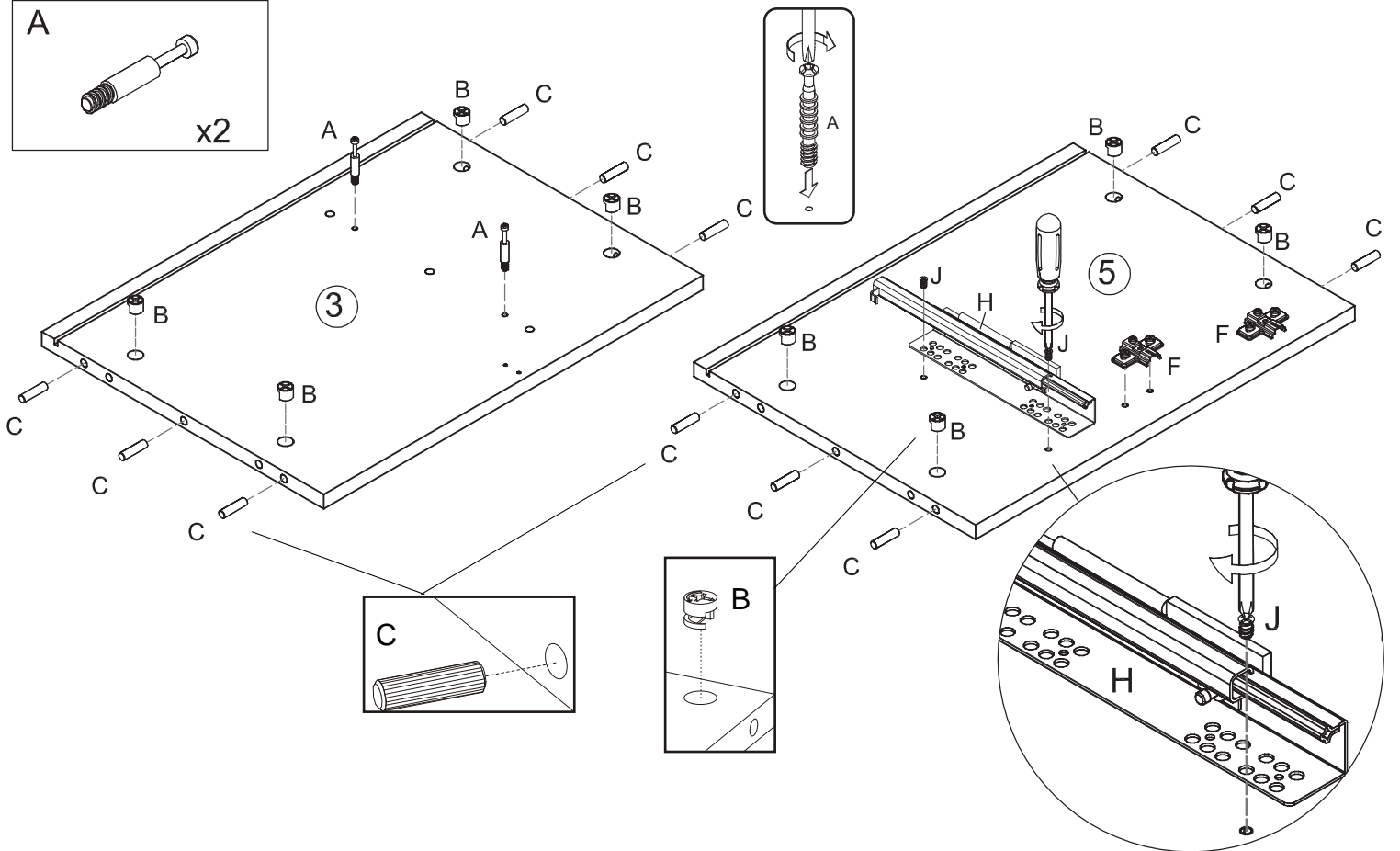
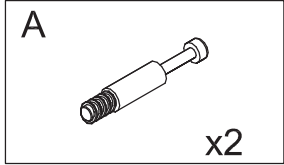


x8

J 6,0x8

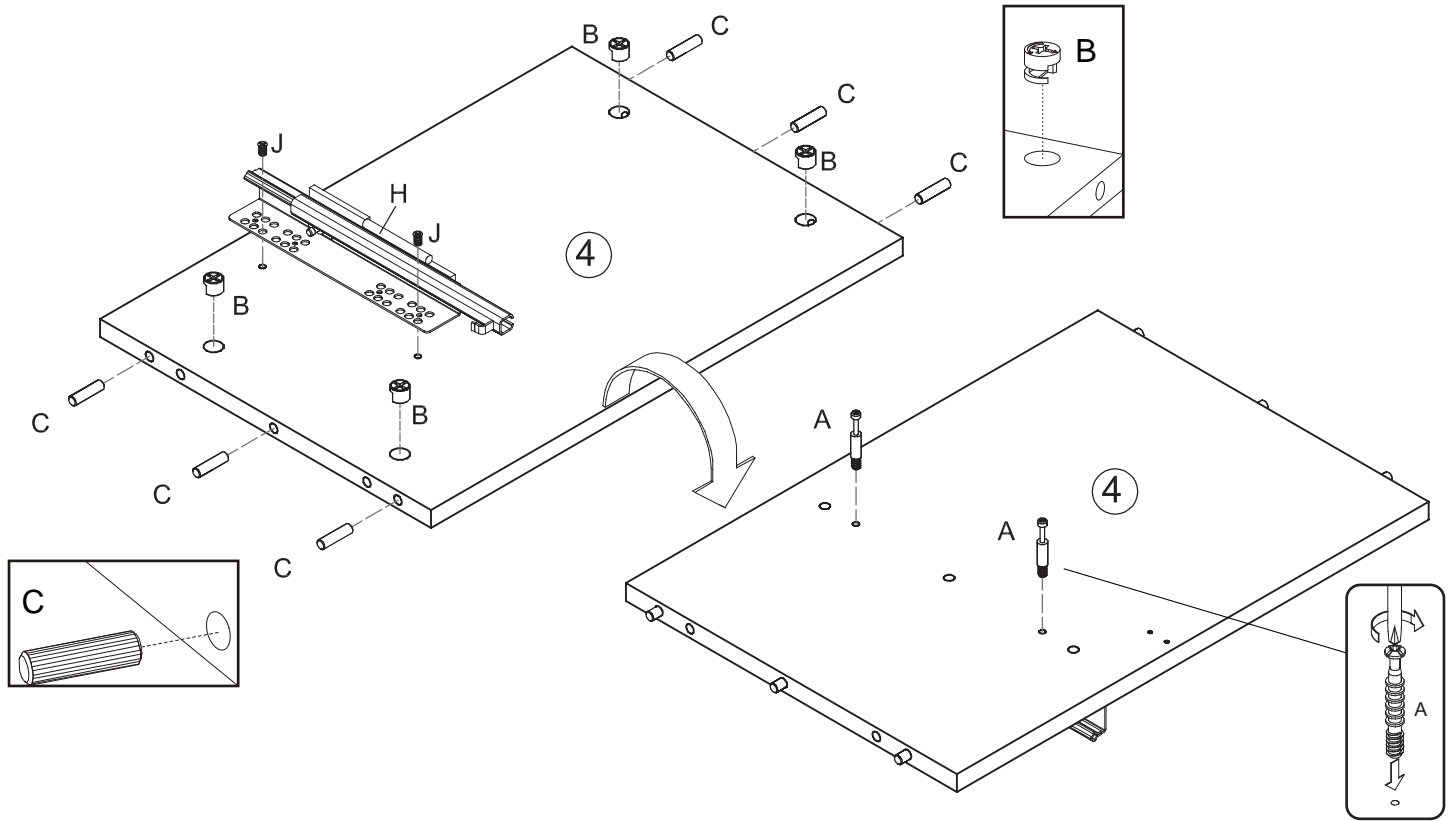


x2



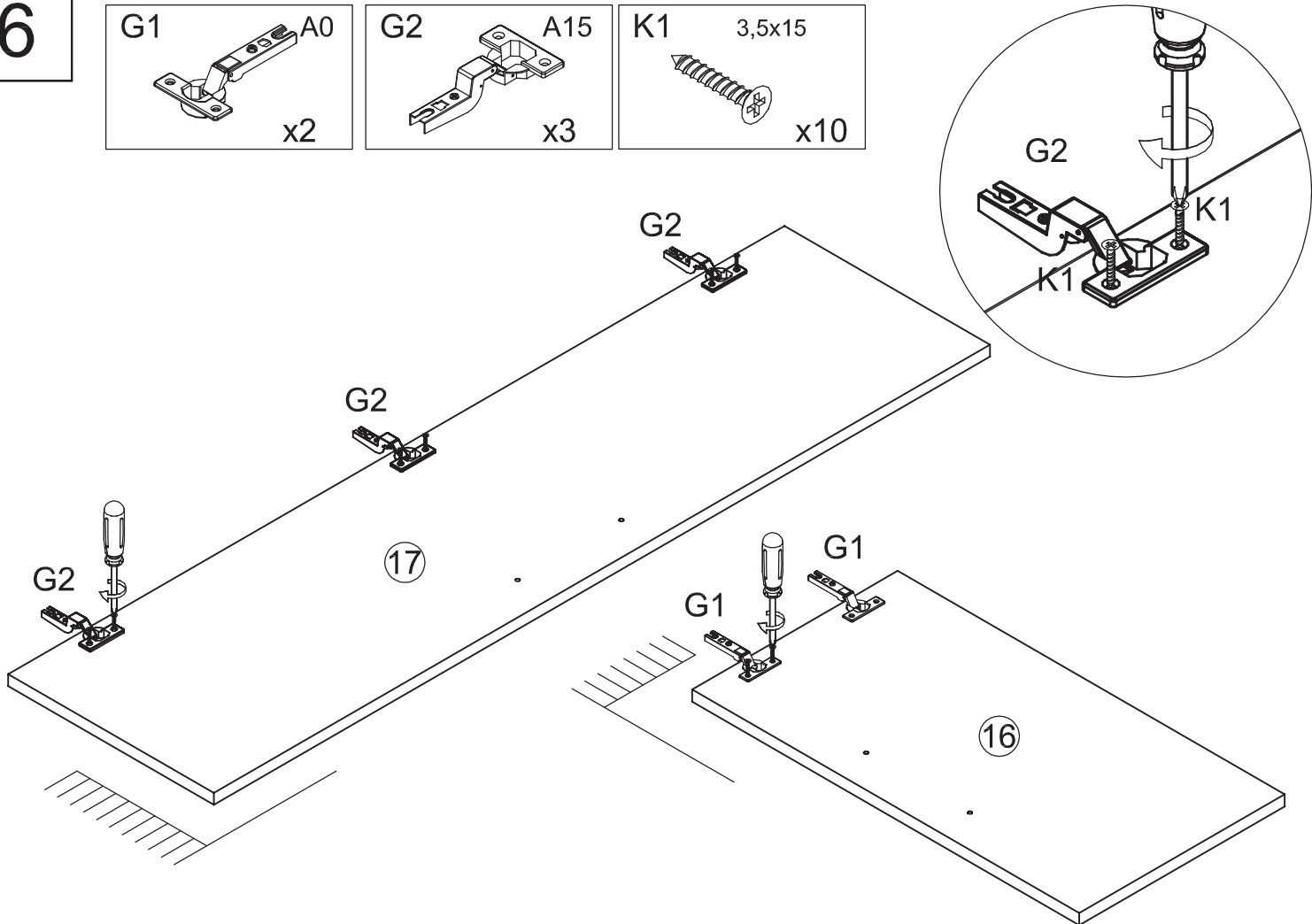
5

- C Ø8x30 x6
- B x4
- H x1
- J 6,0x8 x2
- A x2

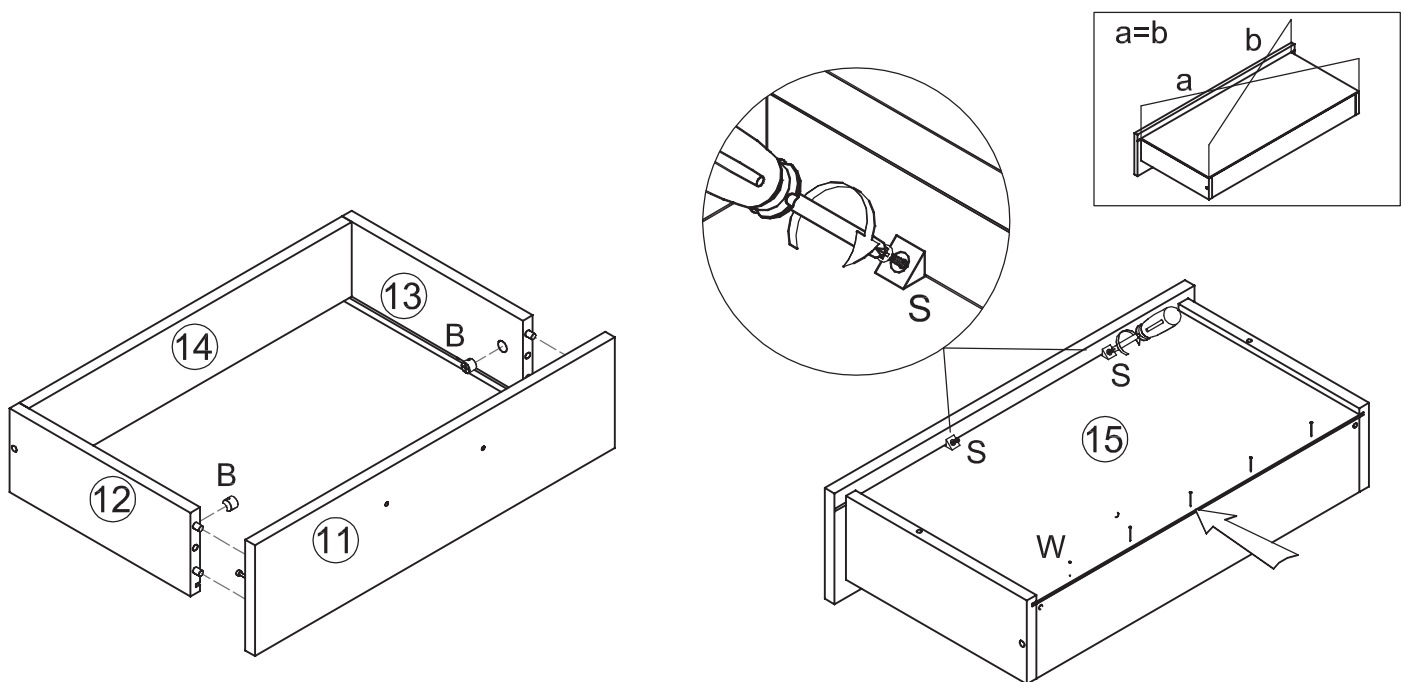
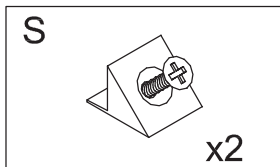
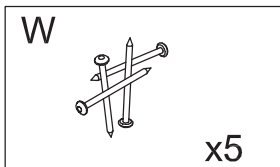
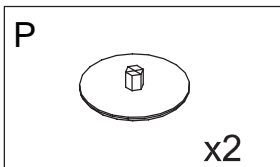
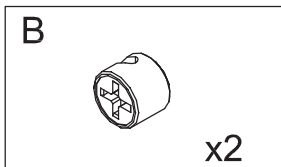
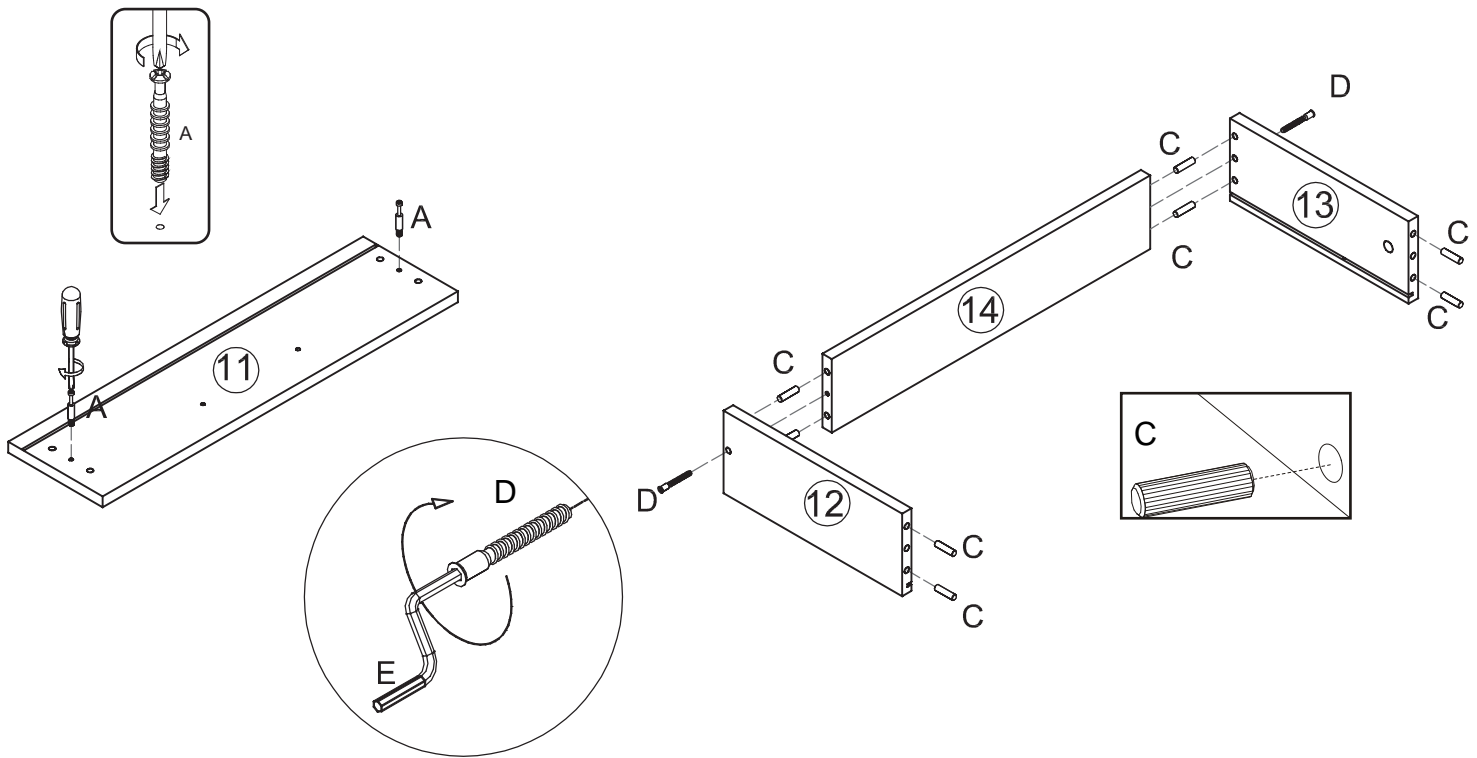
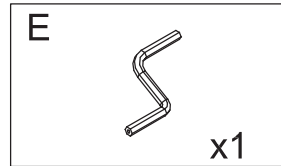
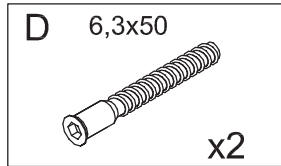
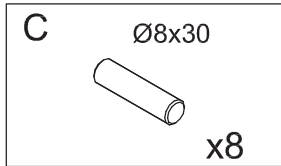
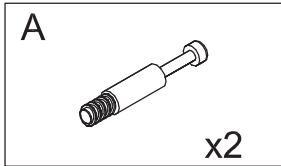


6

- G1 A0 x2
- G2 A15 x3
- K1 3,5x15 x10

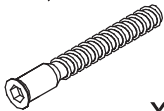


7



8

D 6,3x50

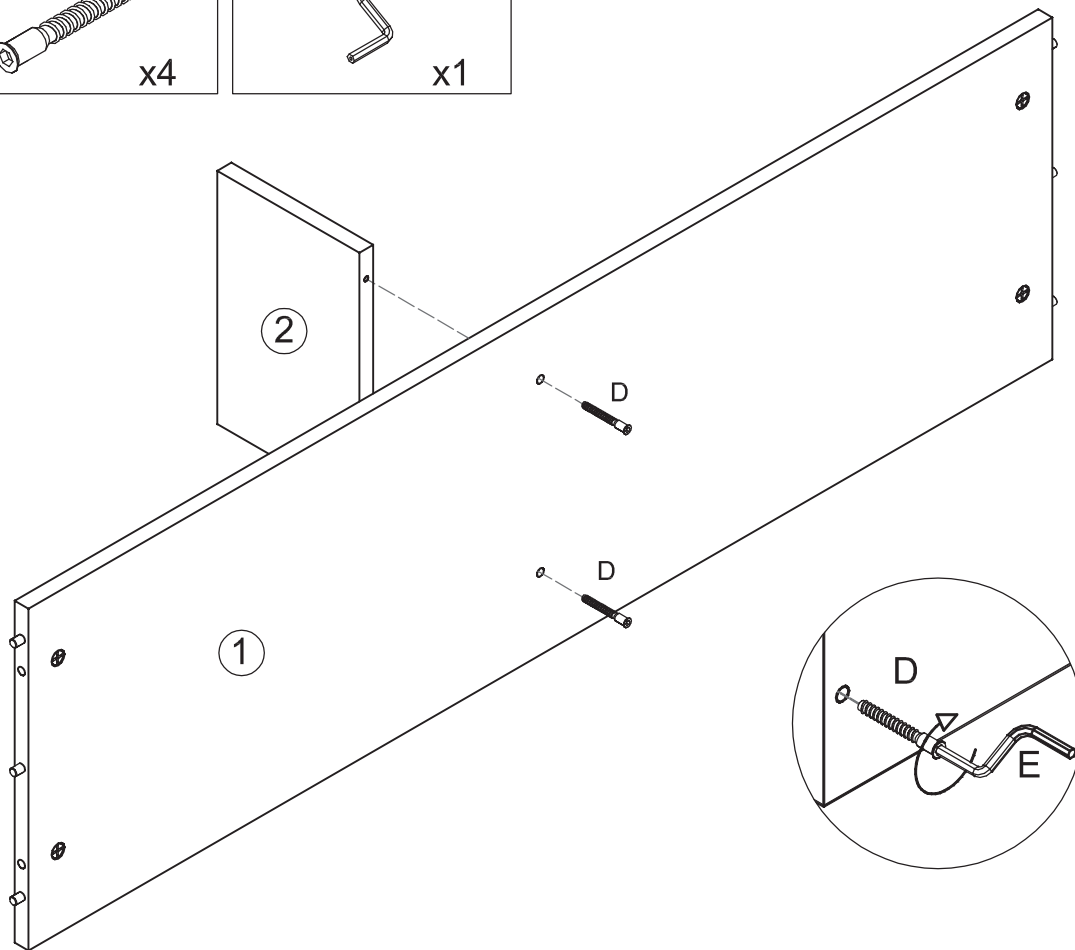


x4

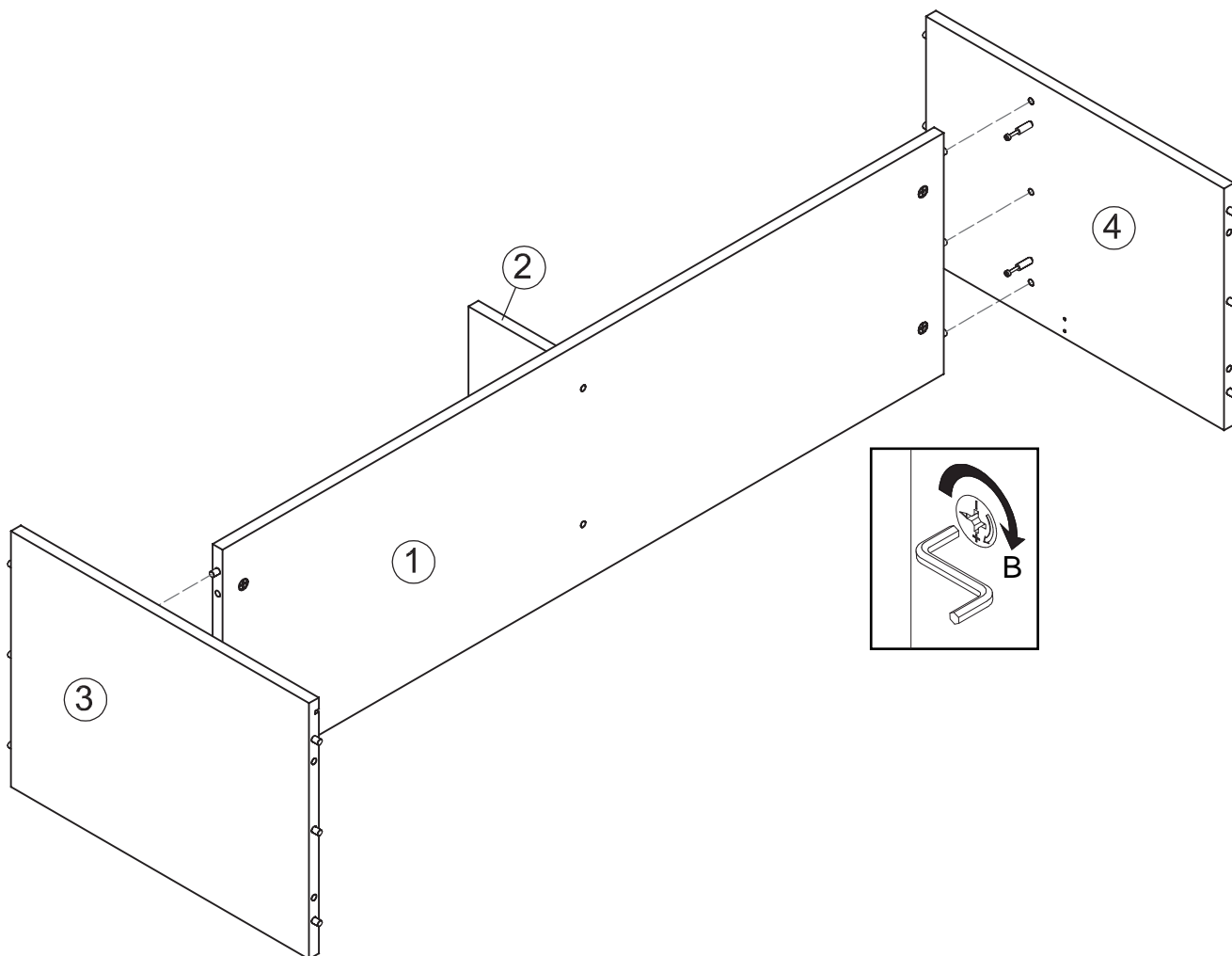
E



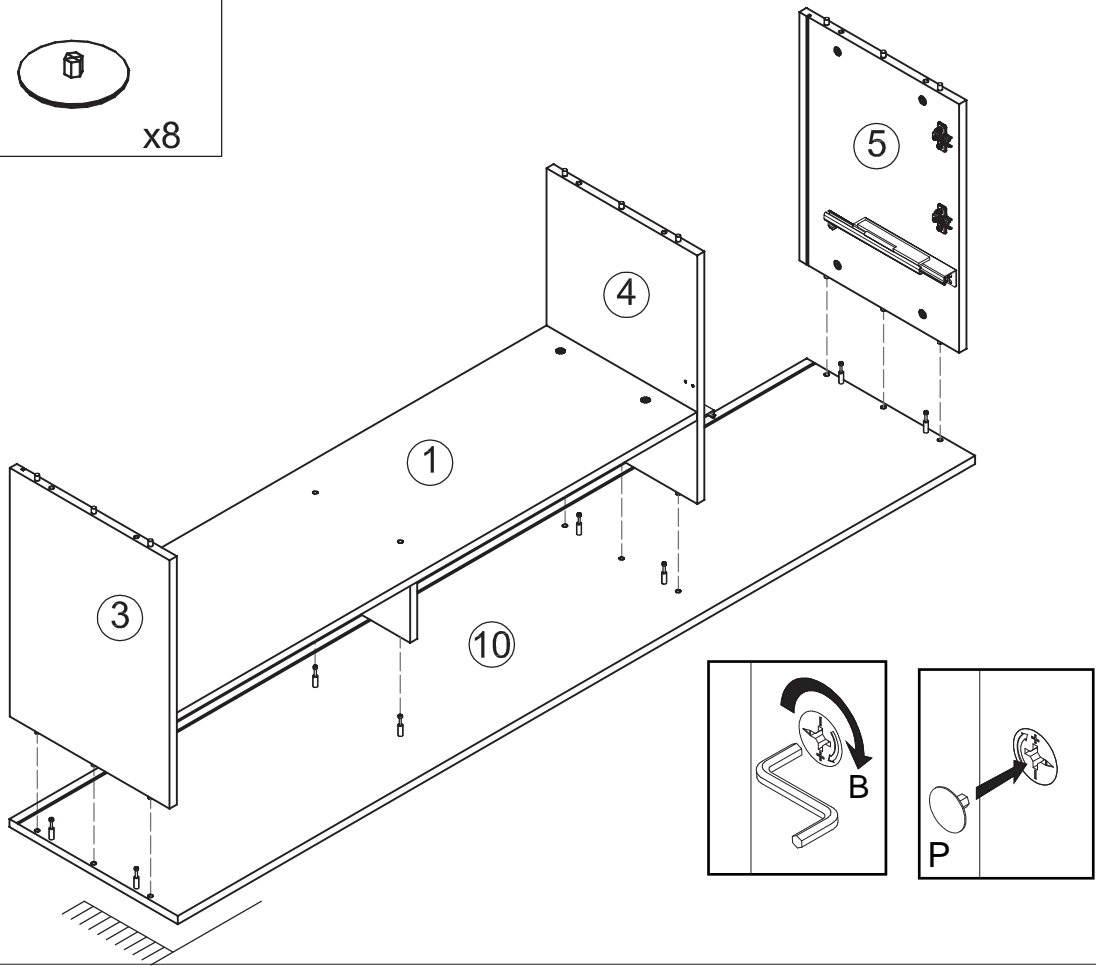
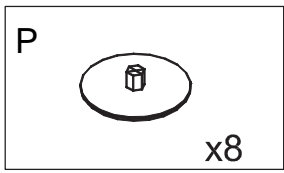
x1



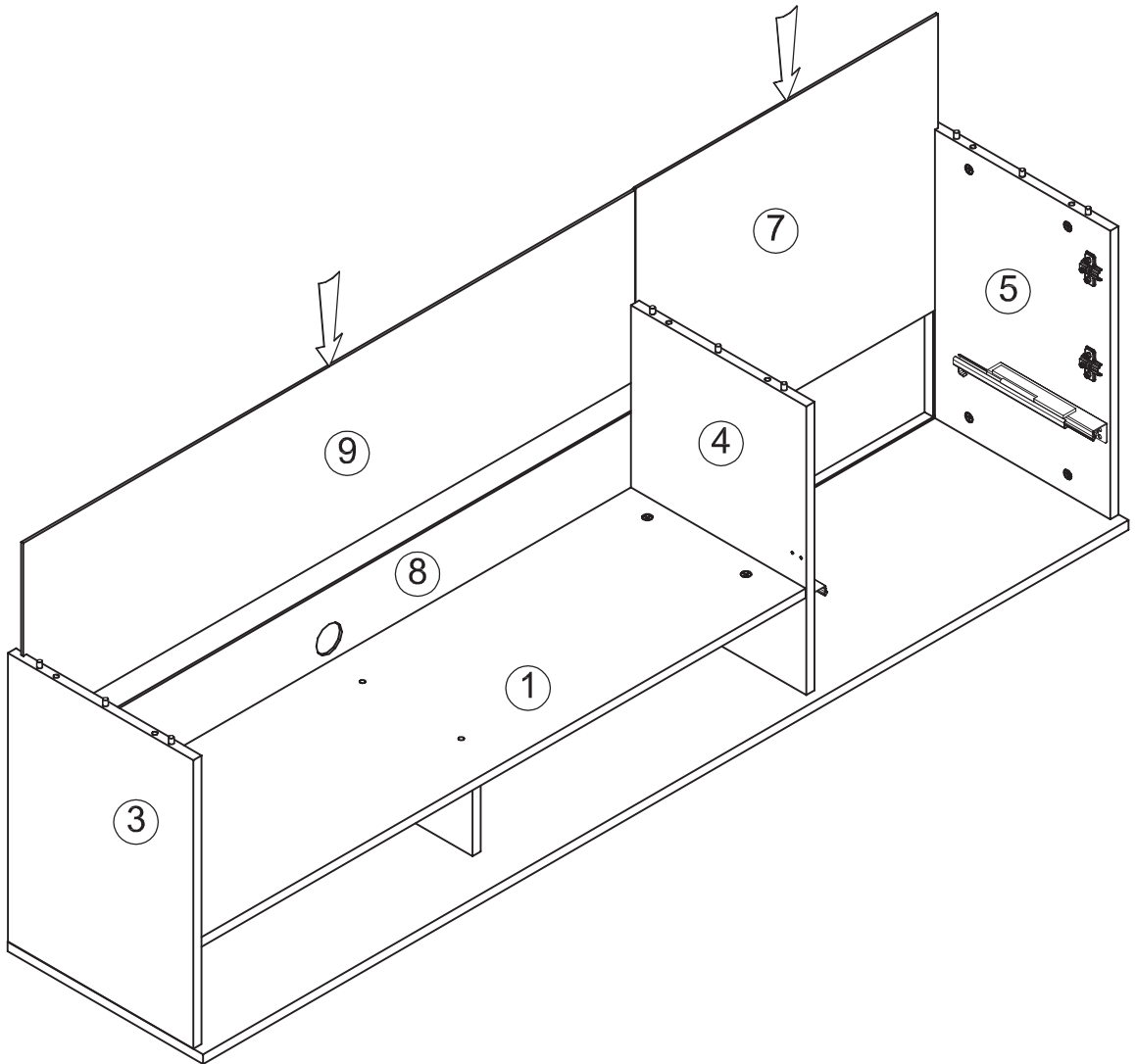
9



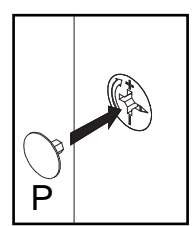
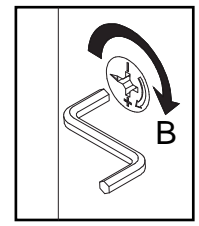
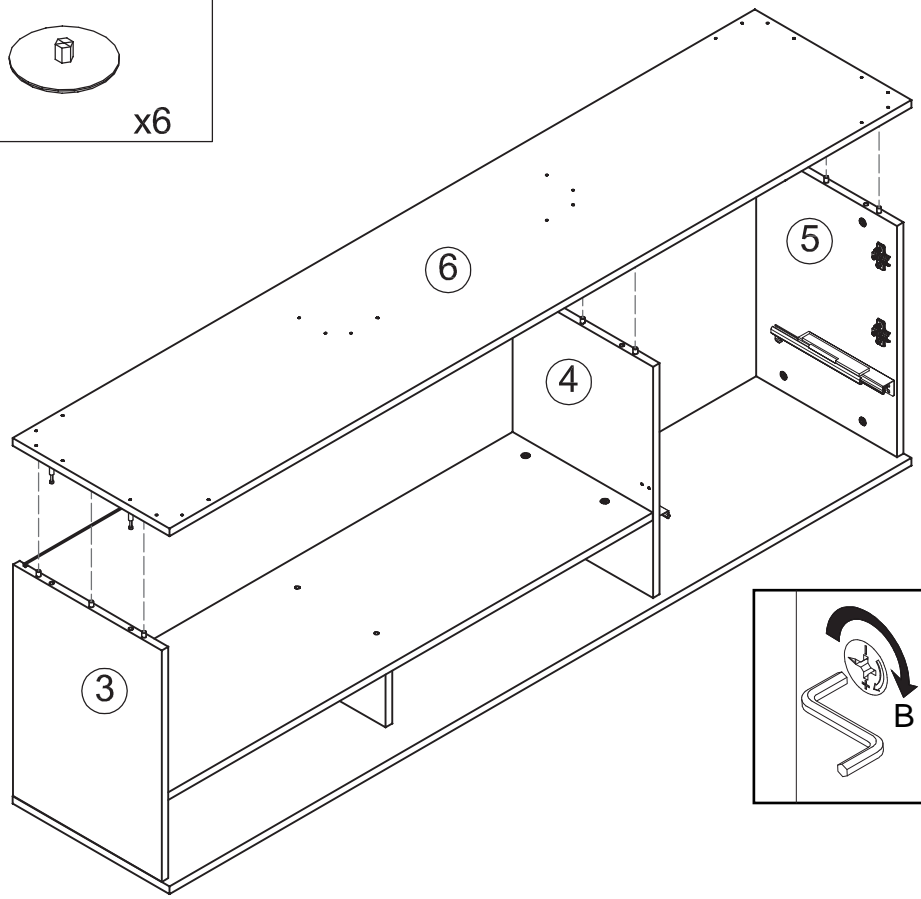
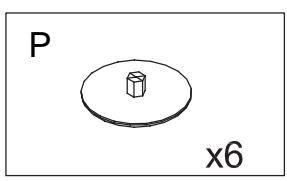
10



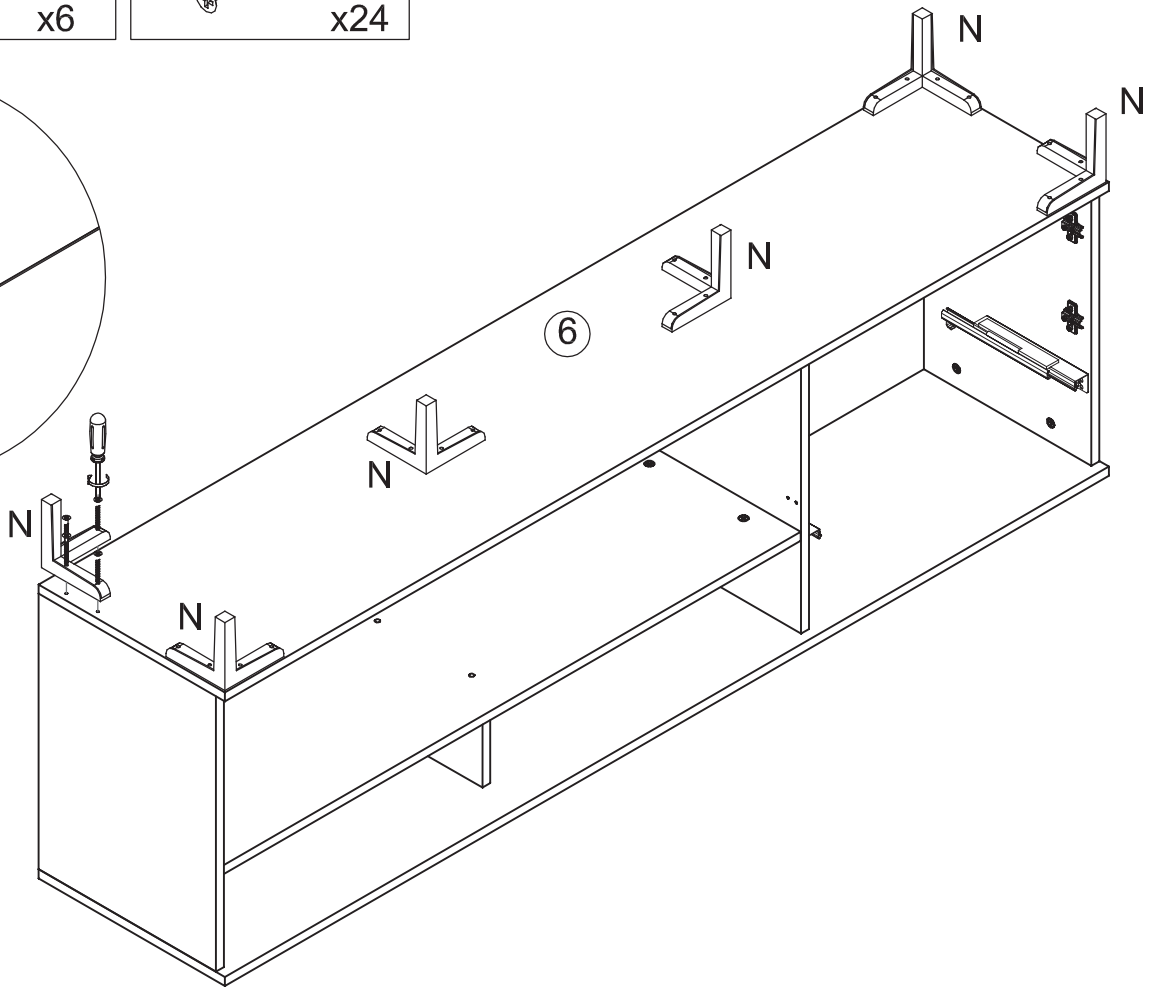
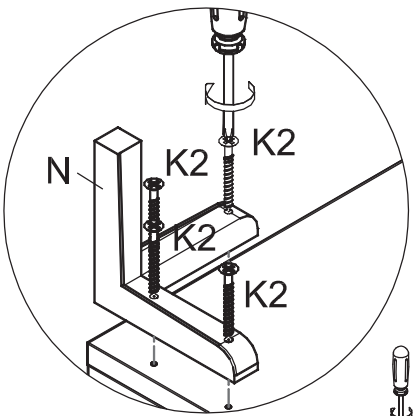
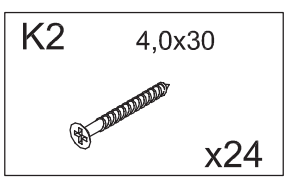
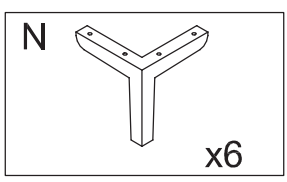
11



12

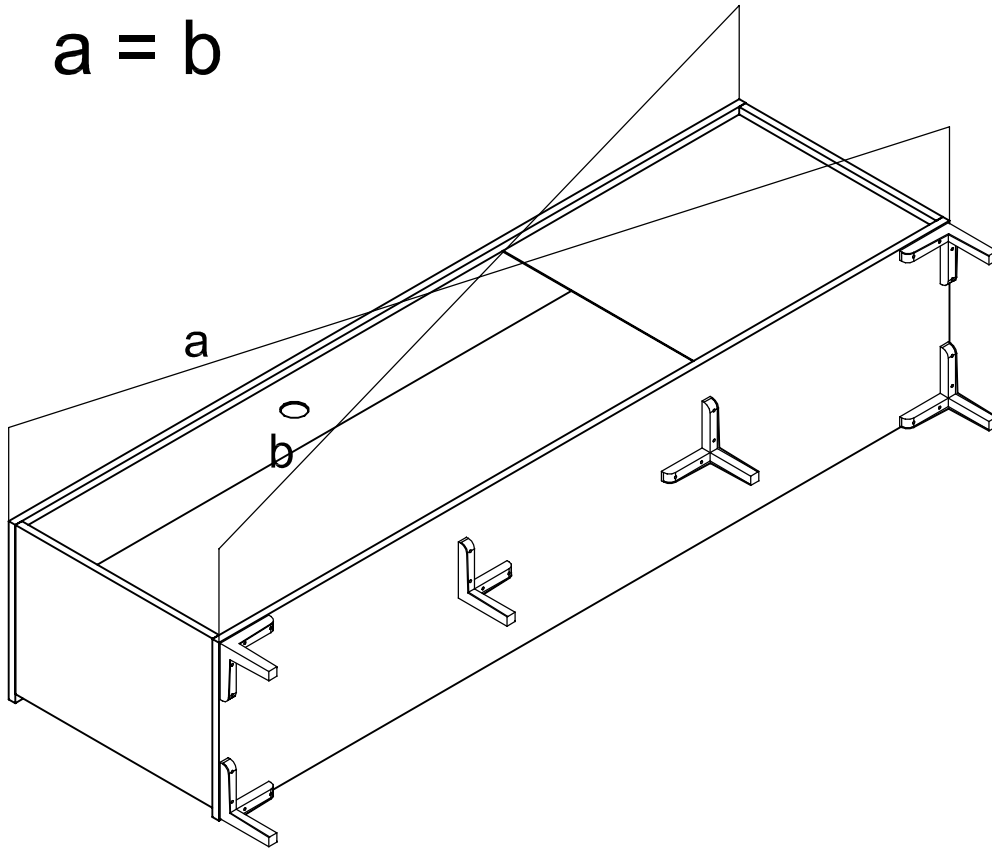


13

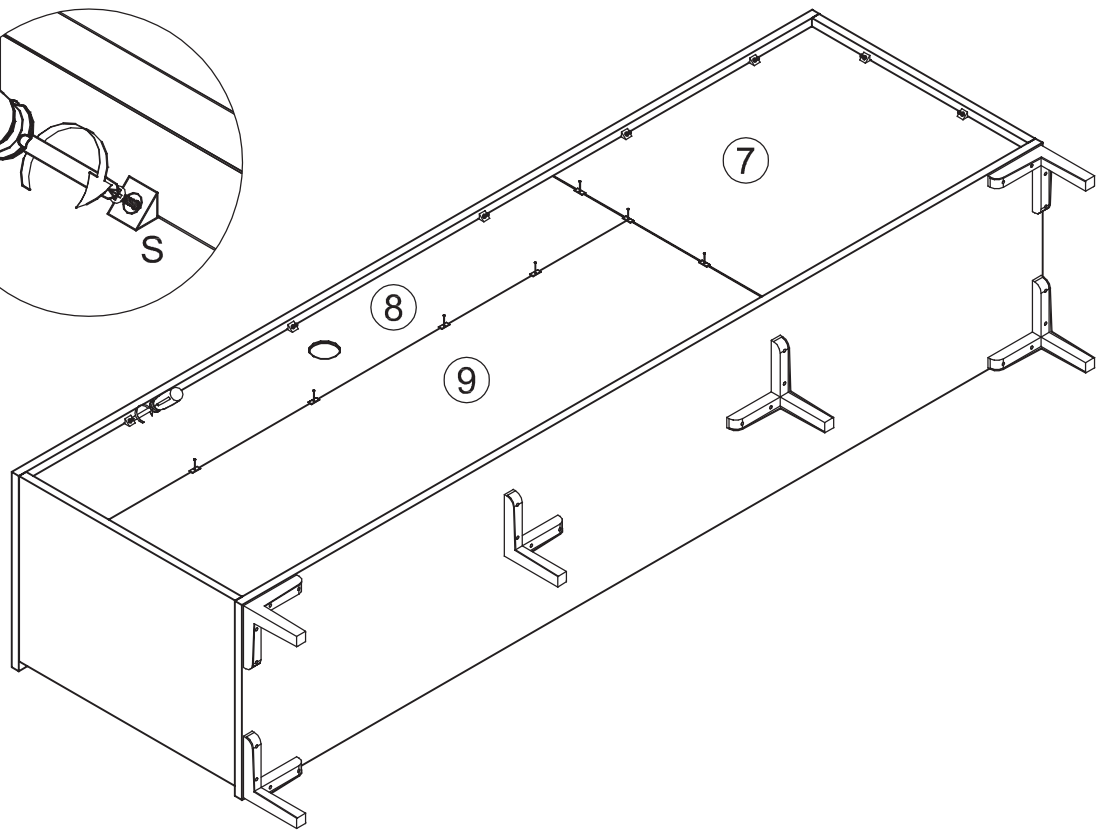
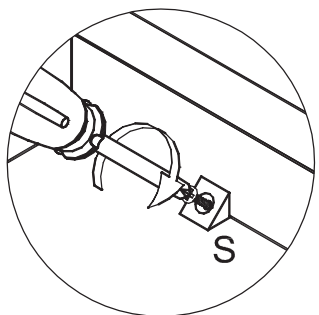
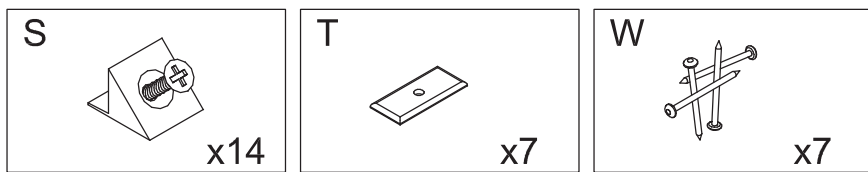


14

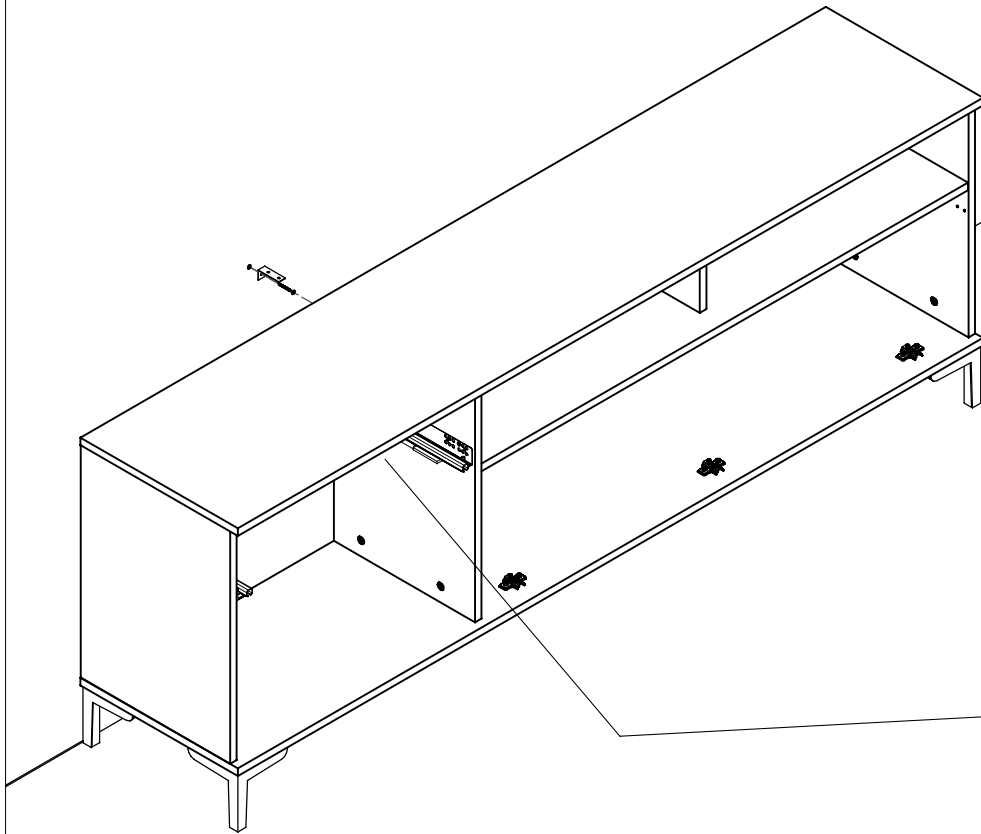
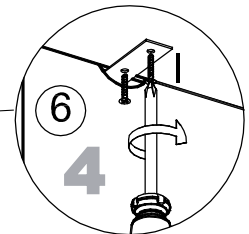
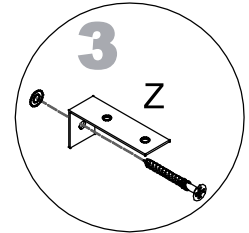
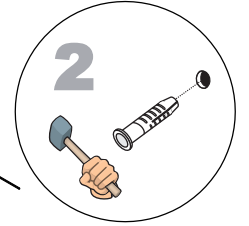
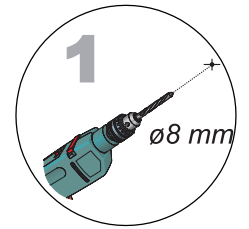
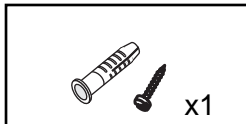
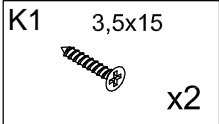
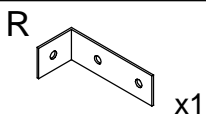
$a = b$



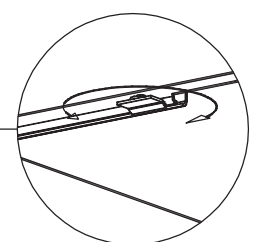
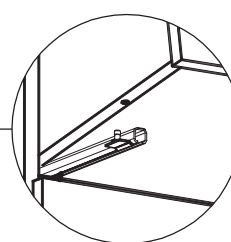
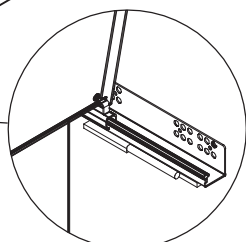
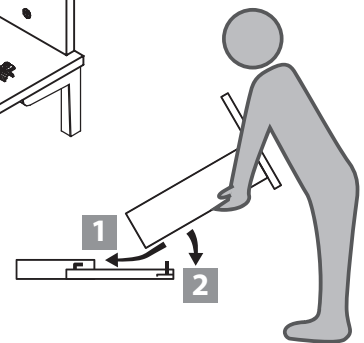
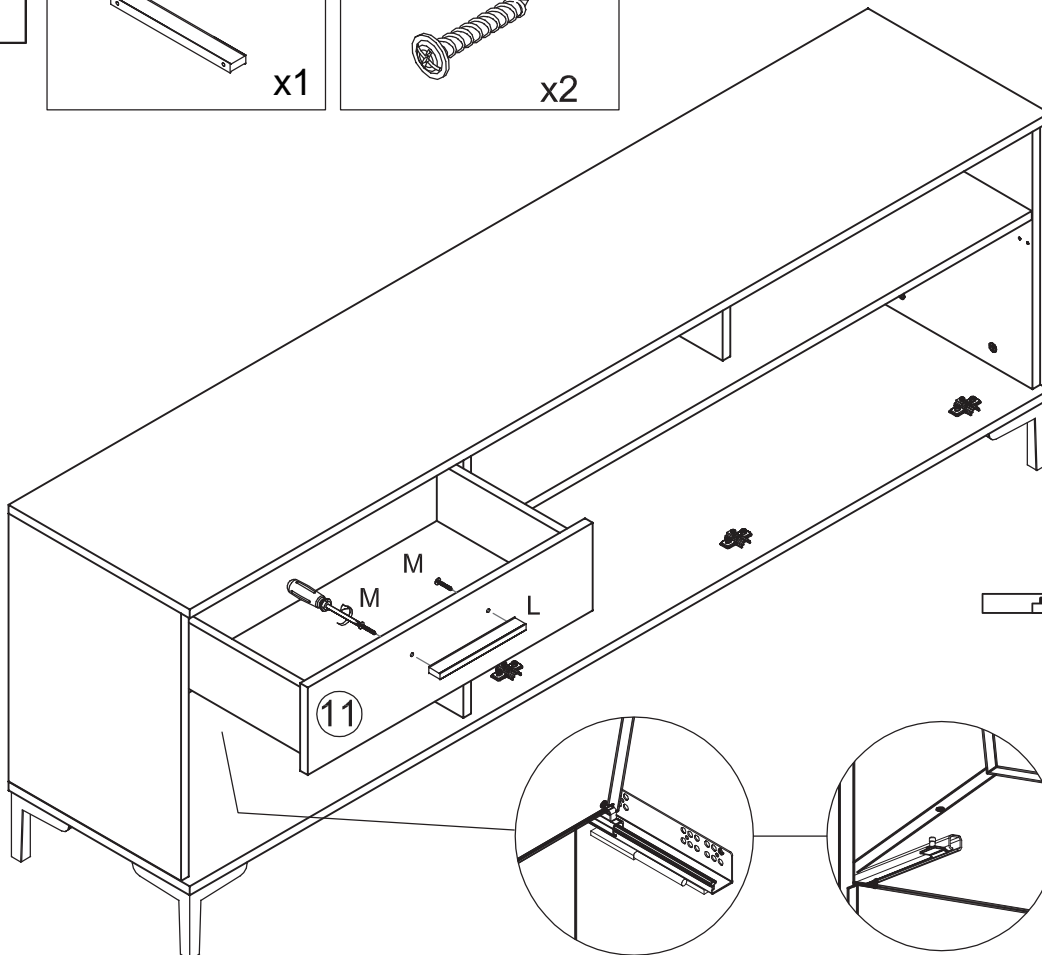
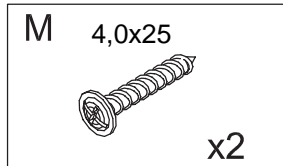
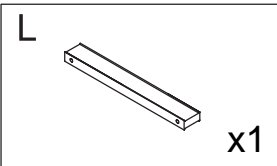
15



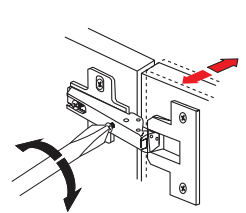
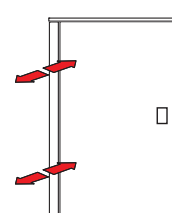
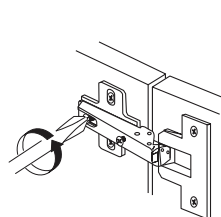
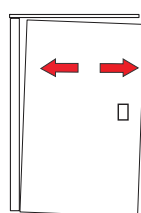
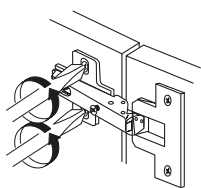
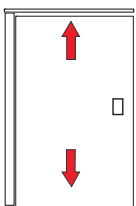
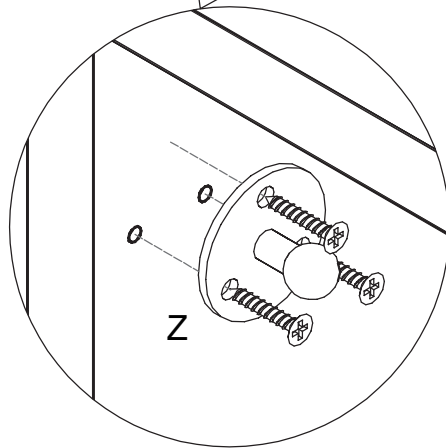
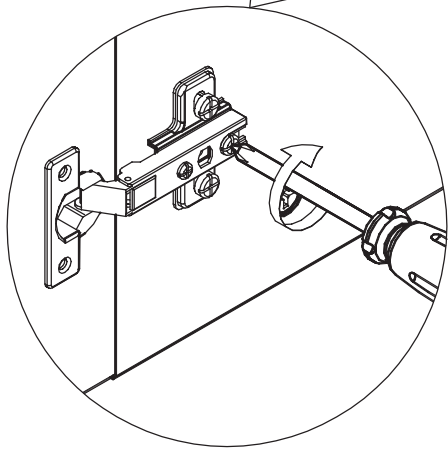
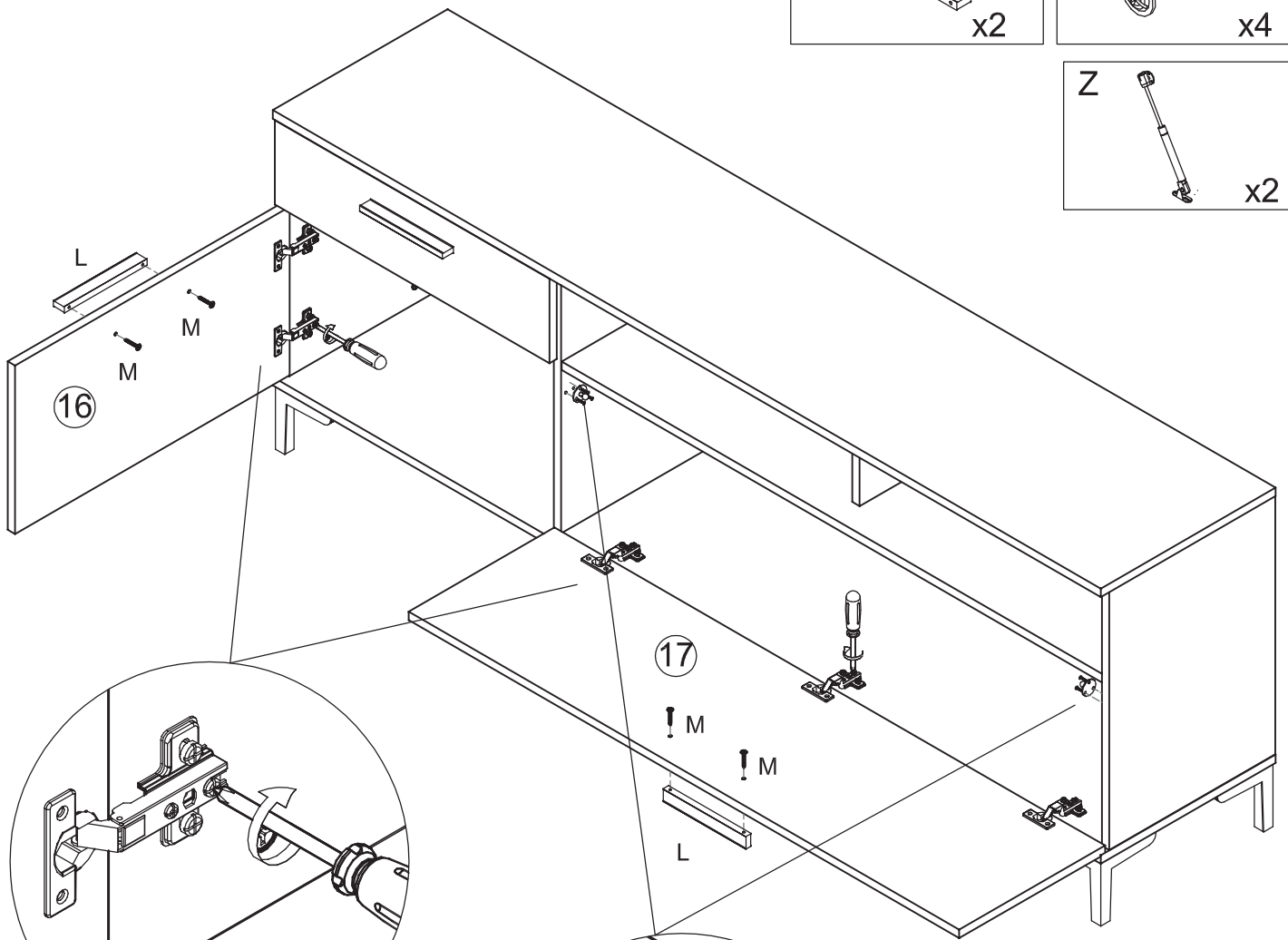
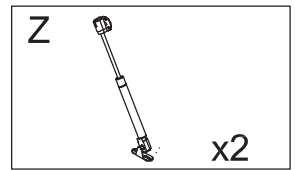
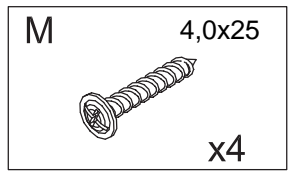
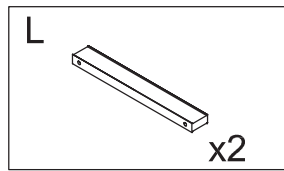
16



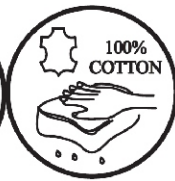
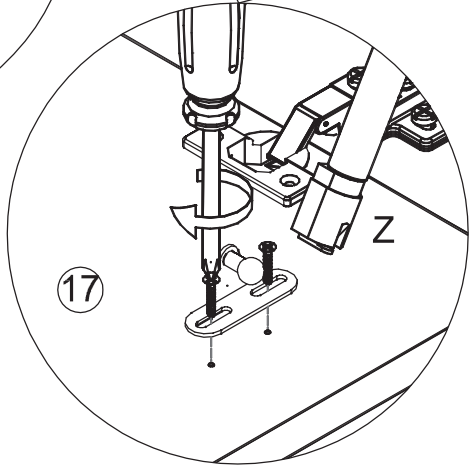
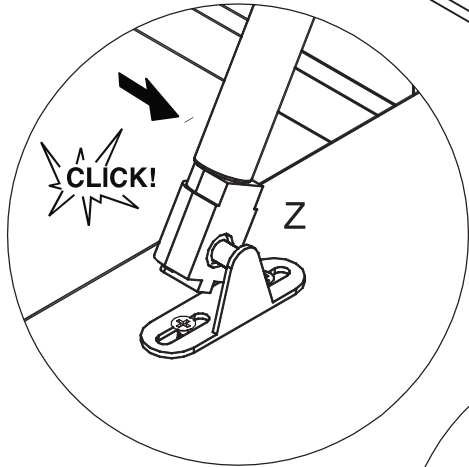
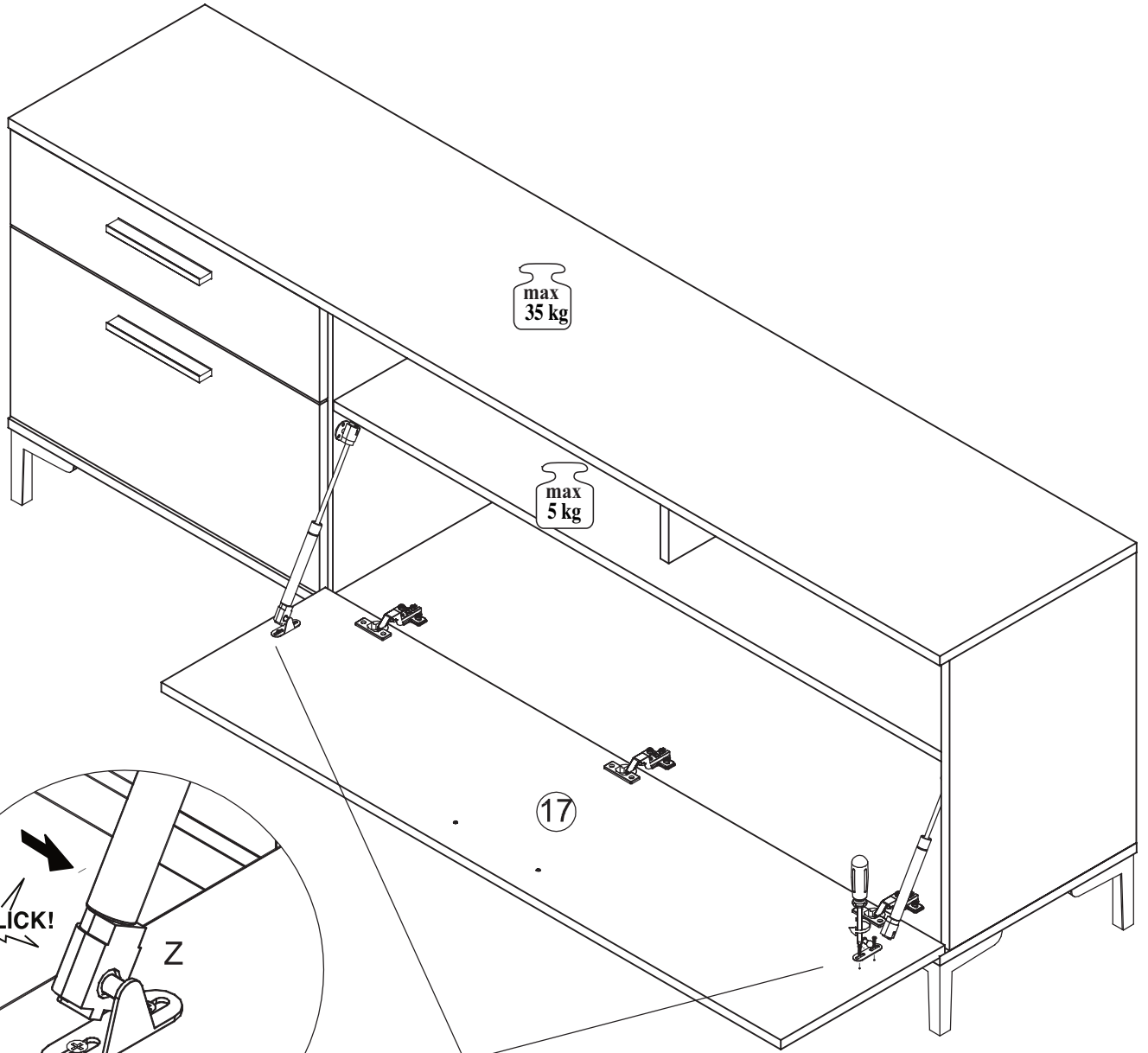
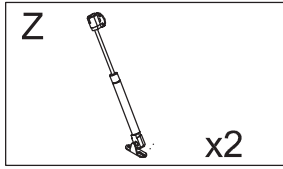
17

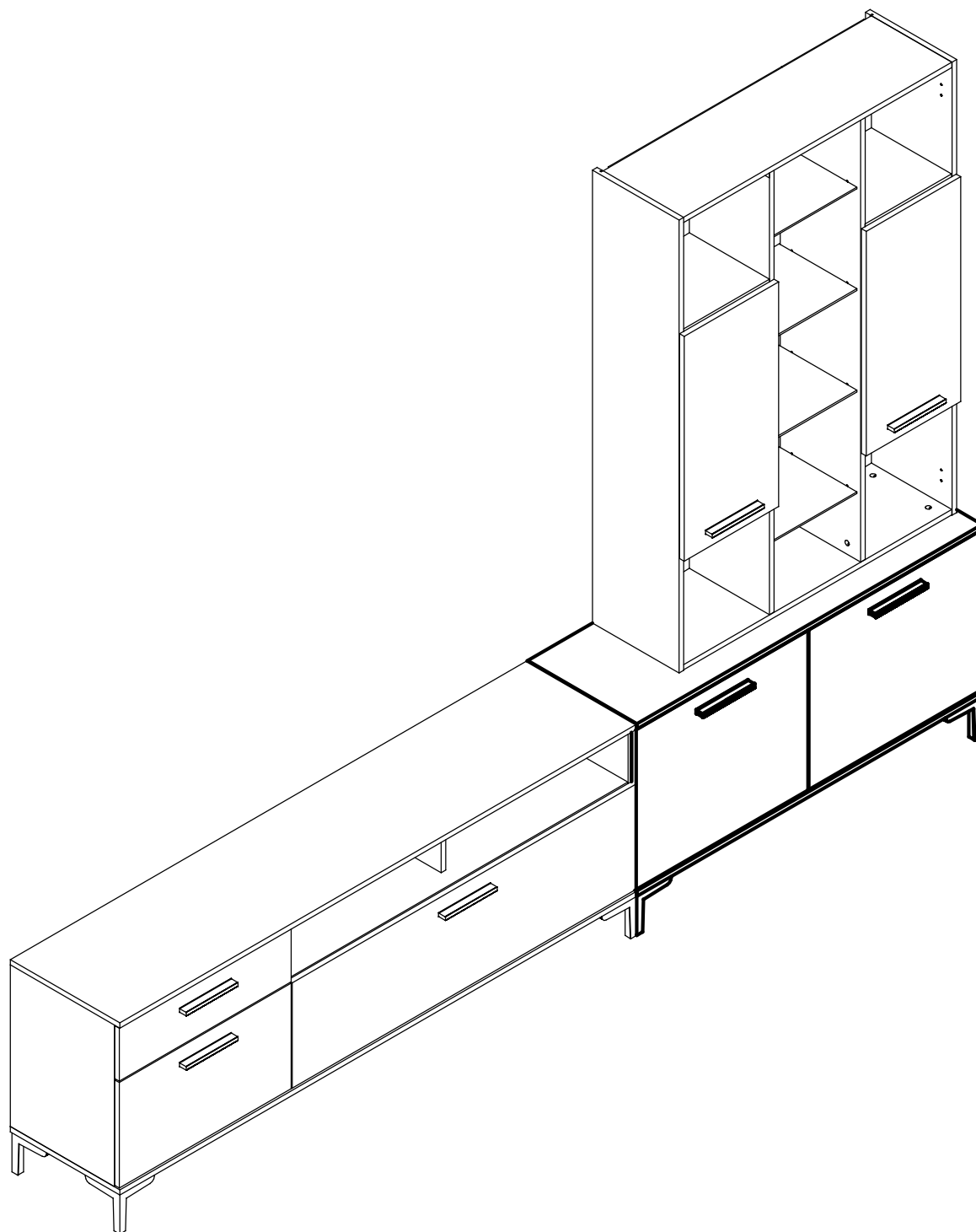


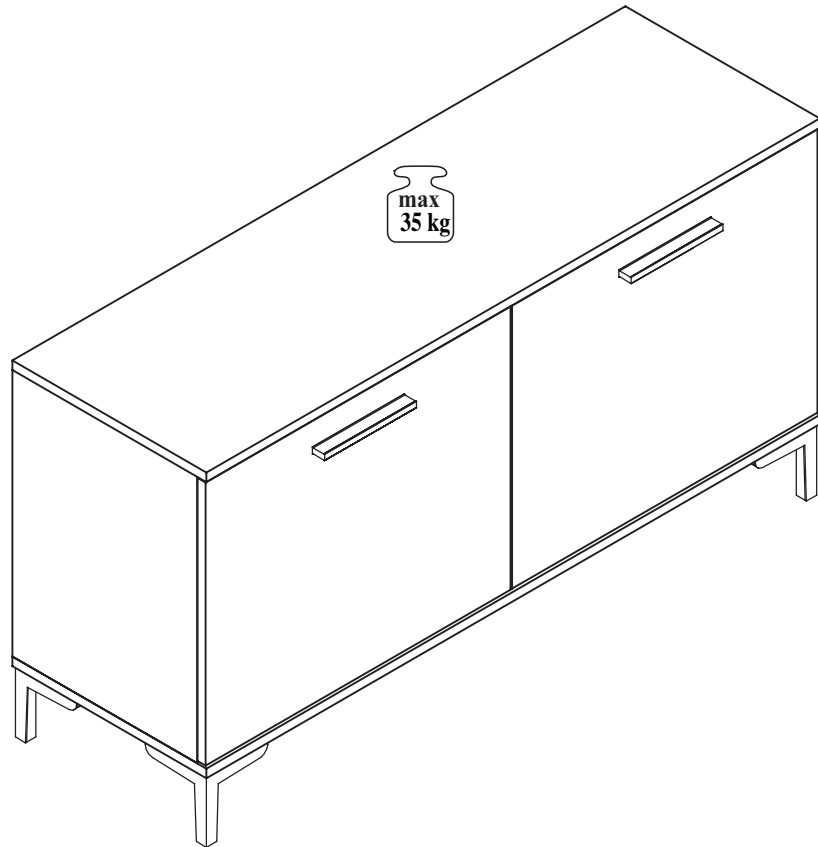
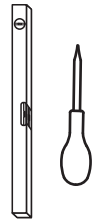
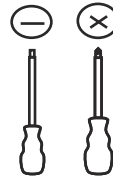
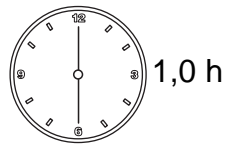
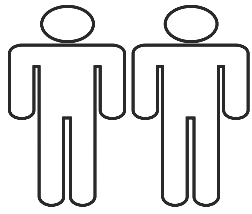
18



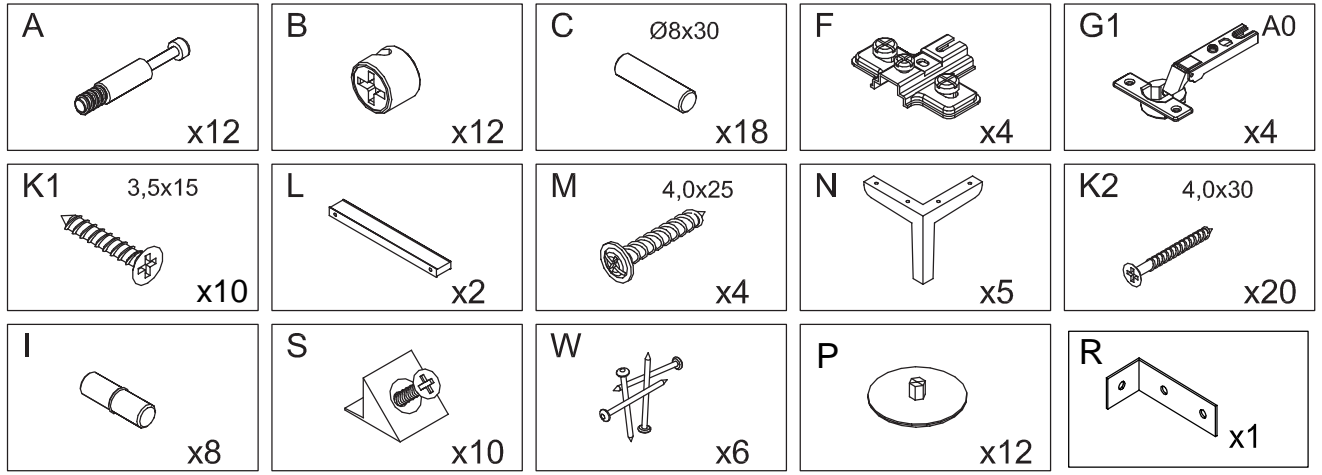
19



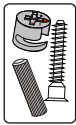
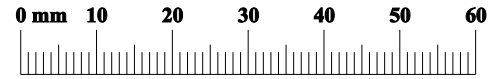
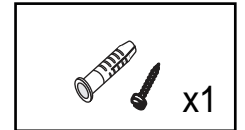




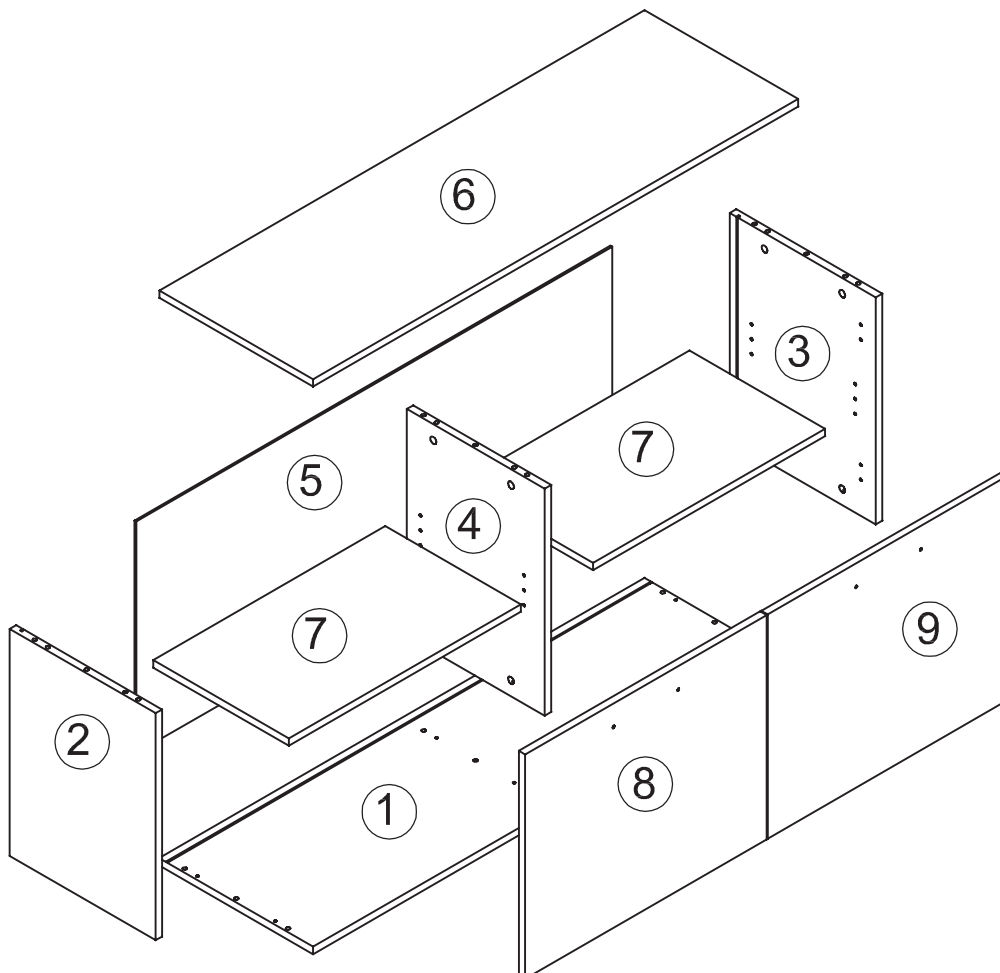
S2



1	x1	ca. 1200 x 380 x 16	4/4
2	x1	ca. 486 x 361 x 16	4/4
3	x1	ca. 486 x 361 x 16	4/4
4	x1	ca. 486 x 341 x 16	4/4
5	x1	ca. 1177 x 496 x 3	4/4
6	x1	ca. 1200 x 380 x 16	4/4
7	x2	ca. 572 x 335 x 16	4/4
8	x1	ca. 597 x 480 x 16	4/4
9	x1	ca. 597 x 480 x 16	4/4

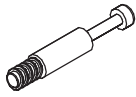


1/4

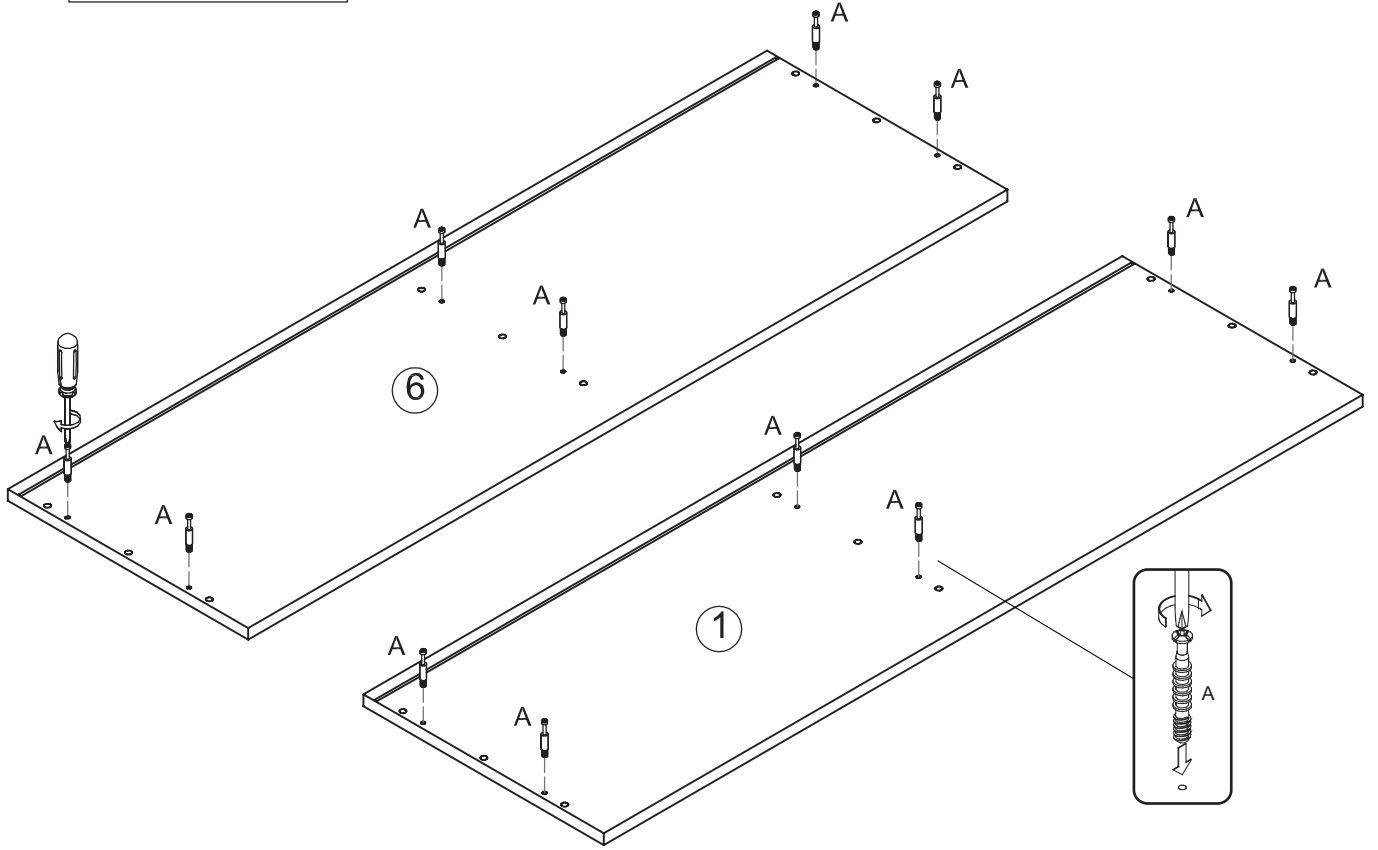


1

A



x12



2

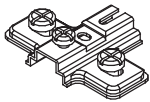
C

Ø8x30



x12

F



x4

B

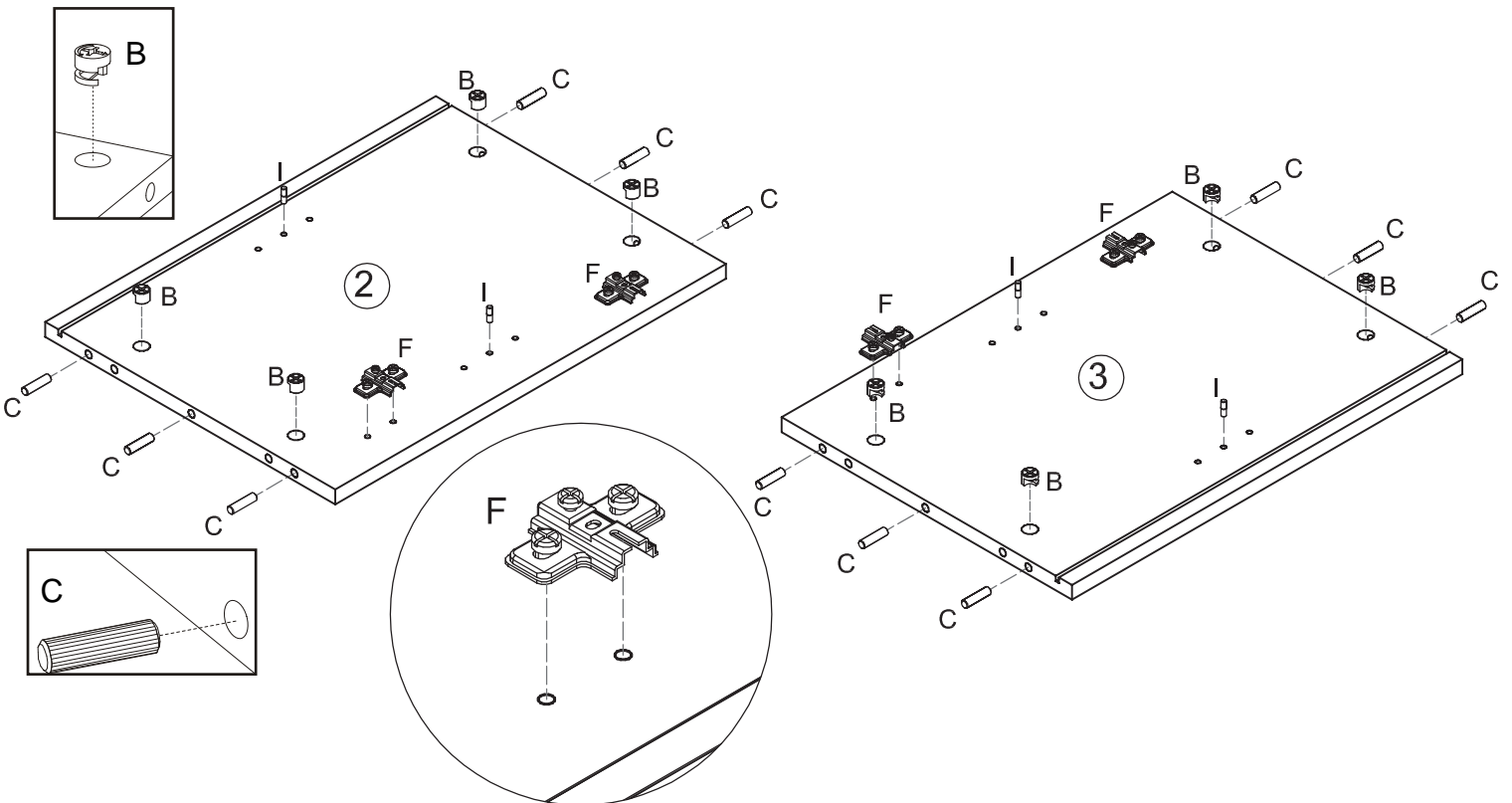


x8

I

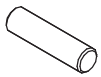


x4



3

C Ø8x30



x6

B

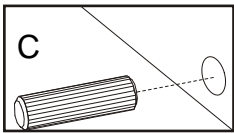
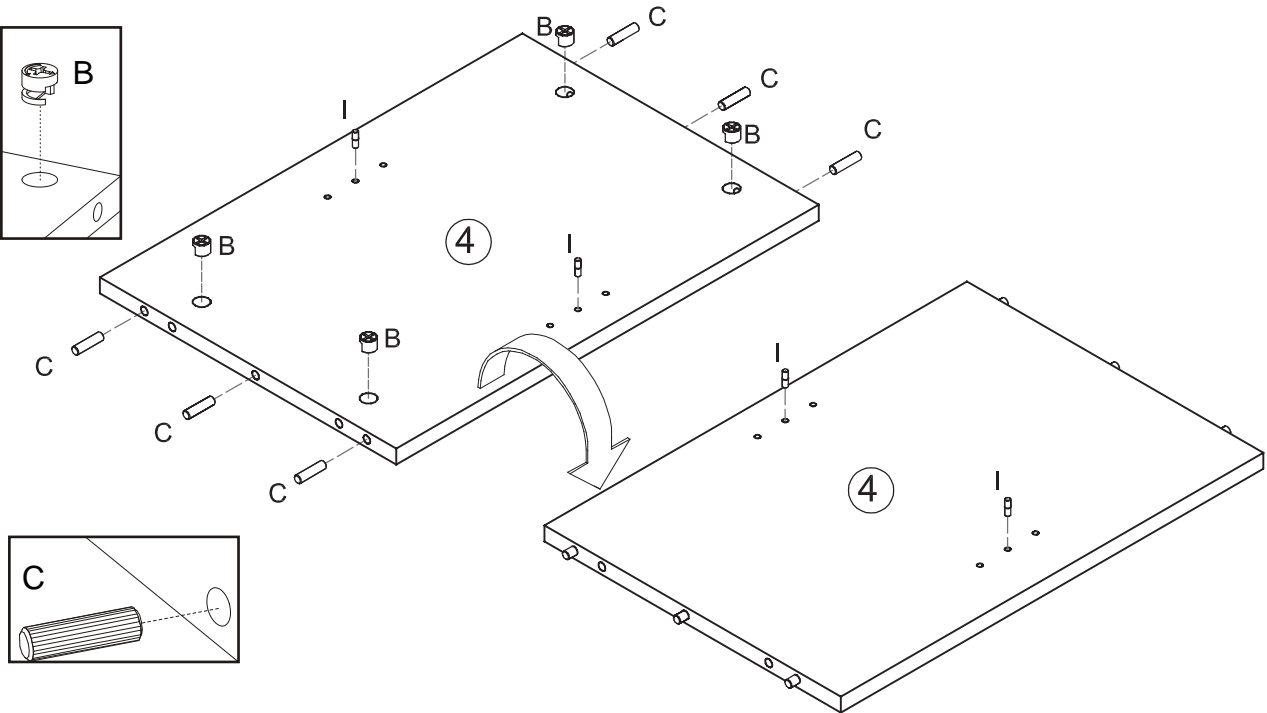
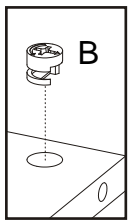


x4

I

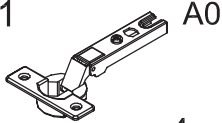


x4



4

G1

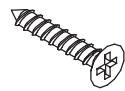


x4

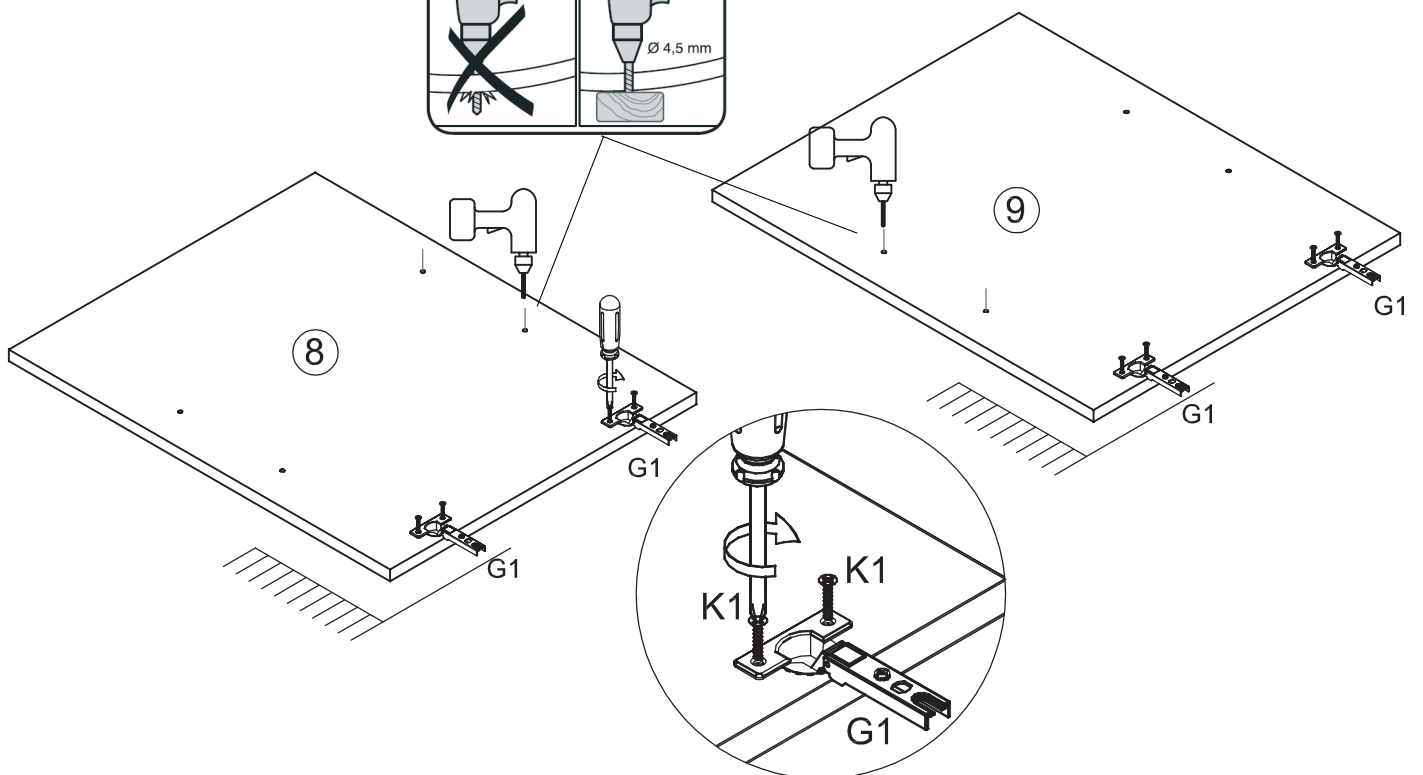
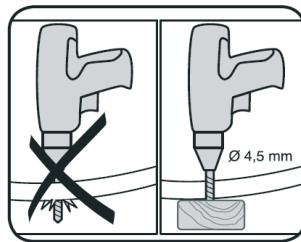
A0

K1

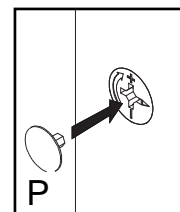
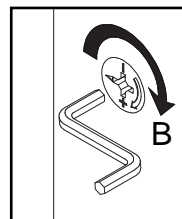
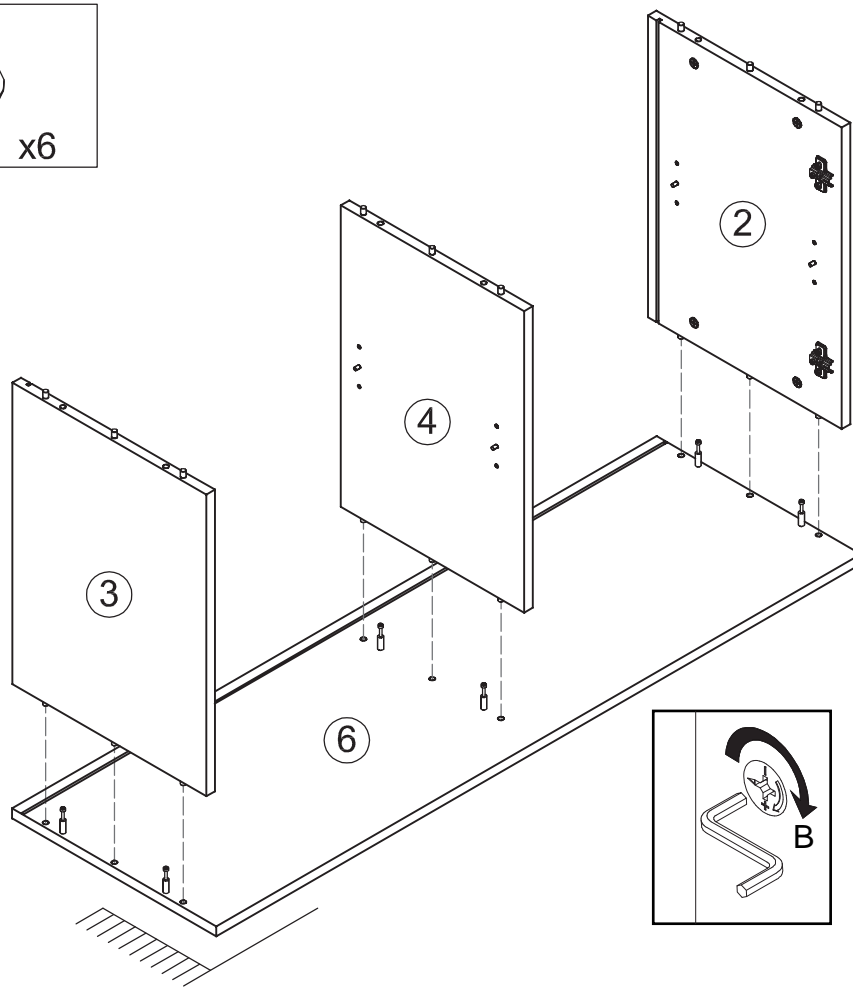
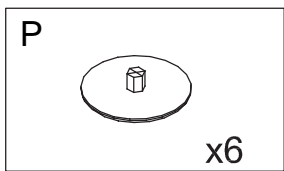
3,5x15



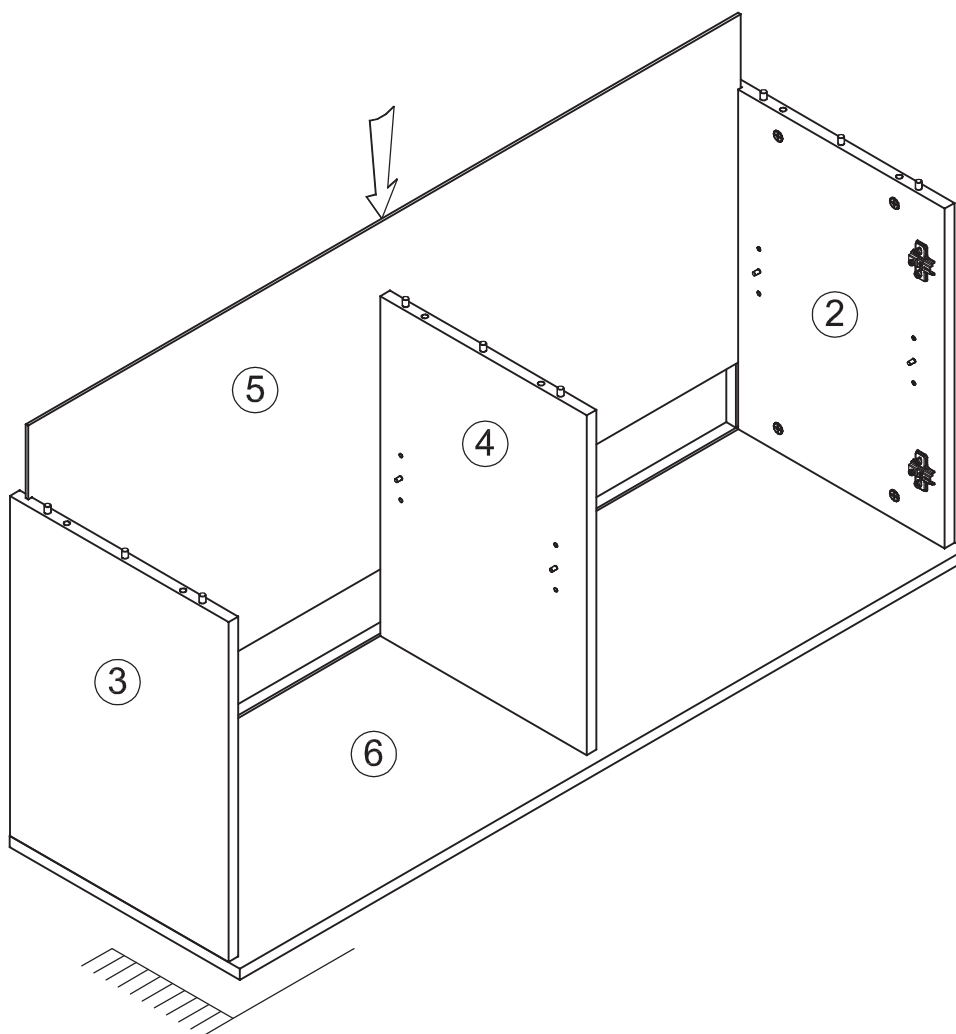
x8



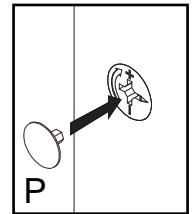
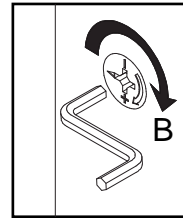
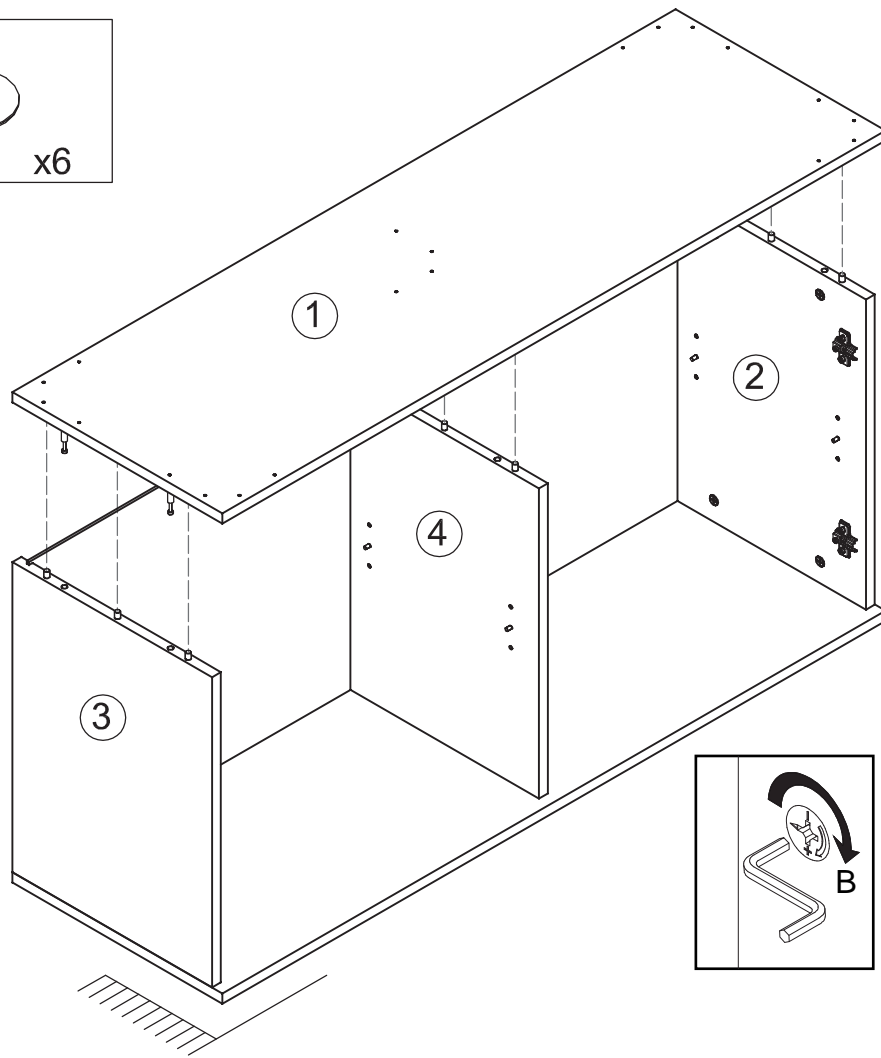
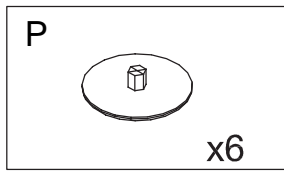
5



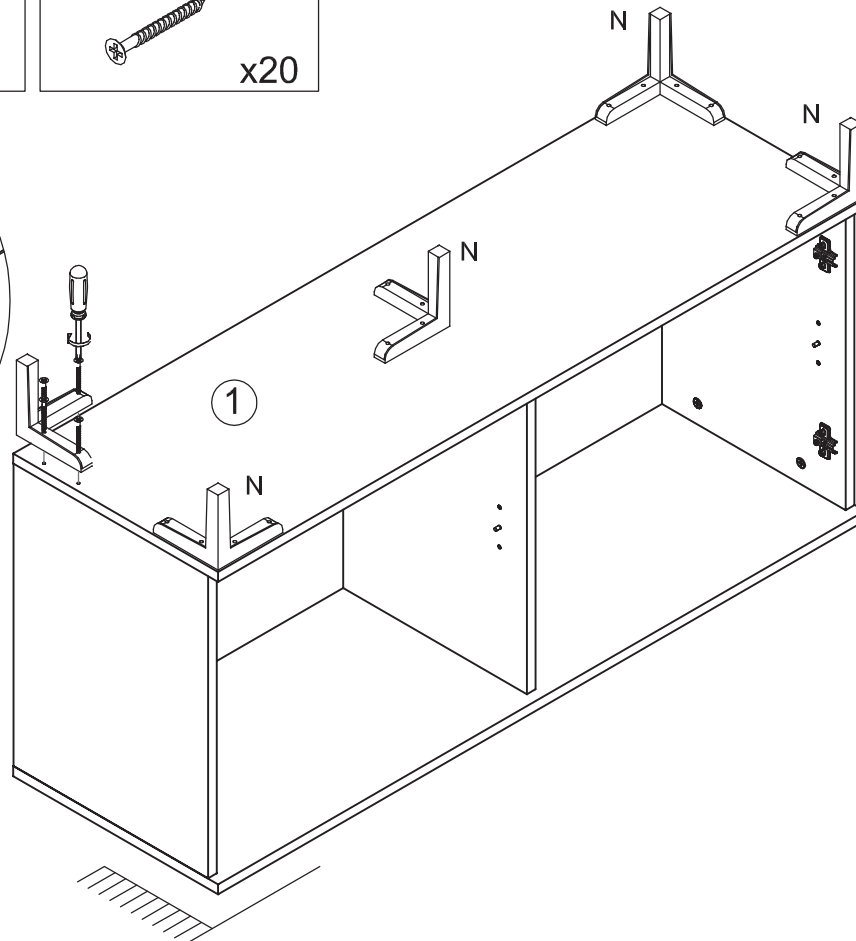
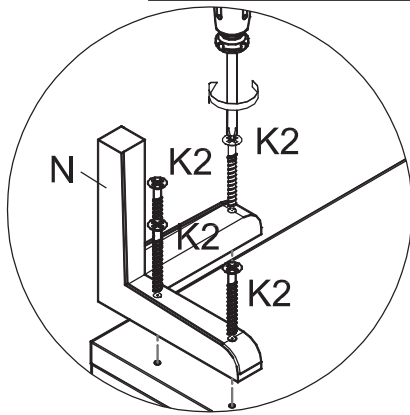
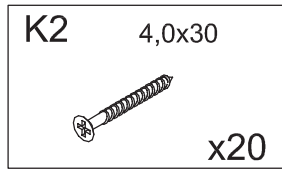
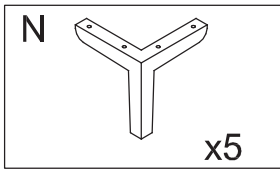
6



7

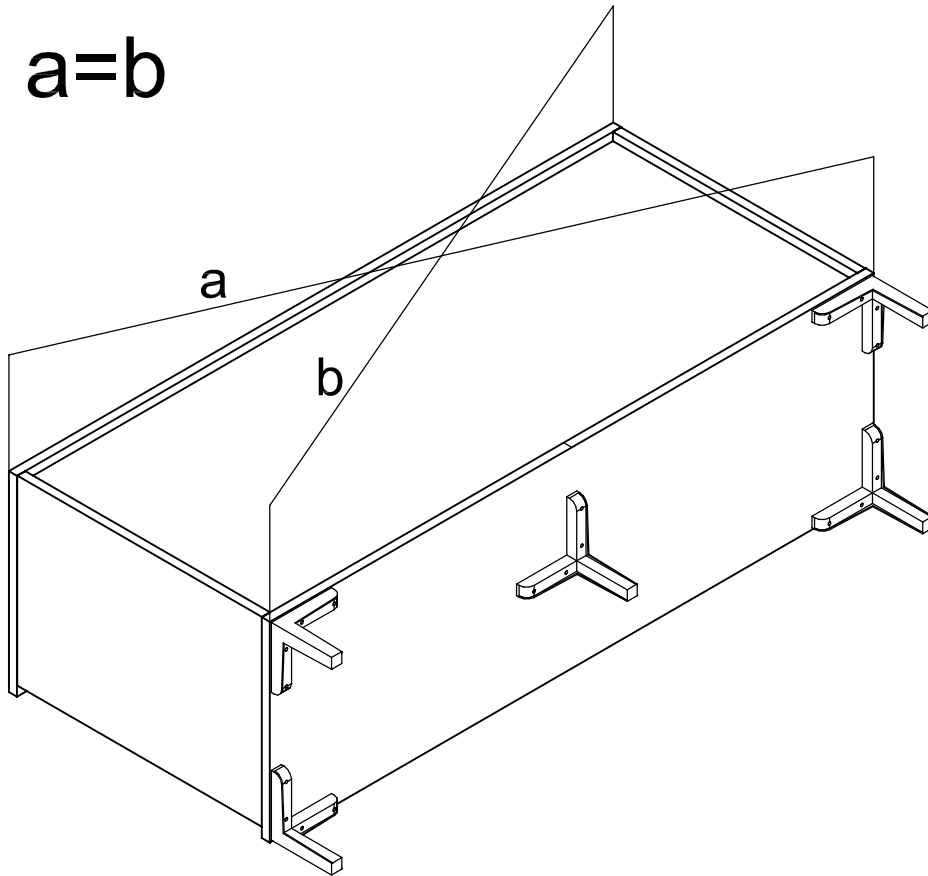


8



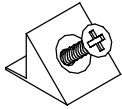
9

$a=b$



10

S

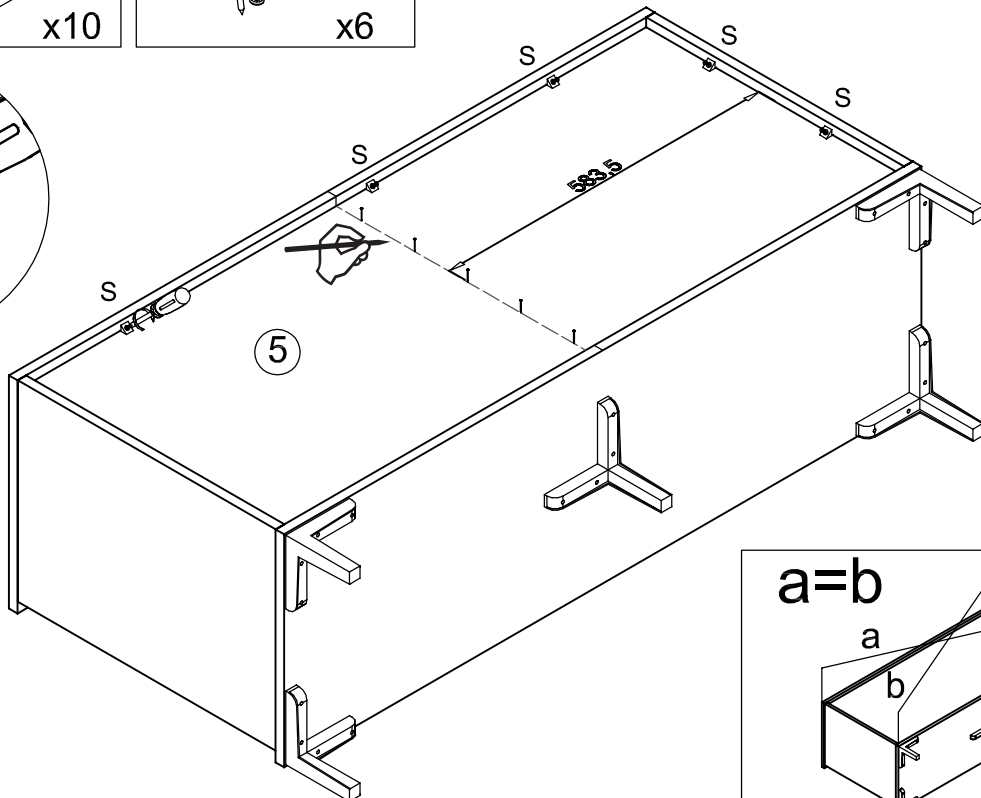
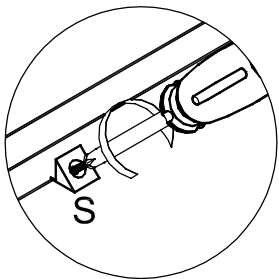


x10

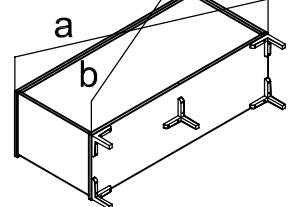
W



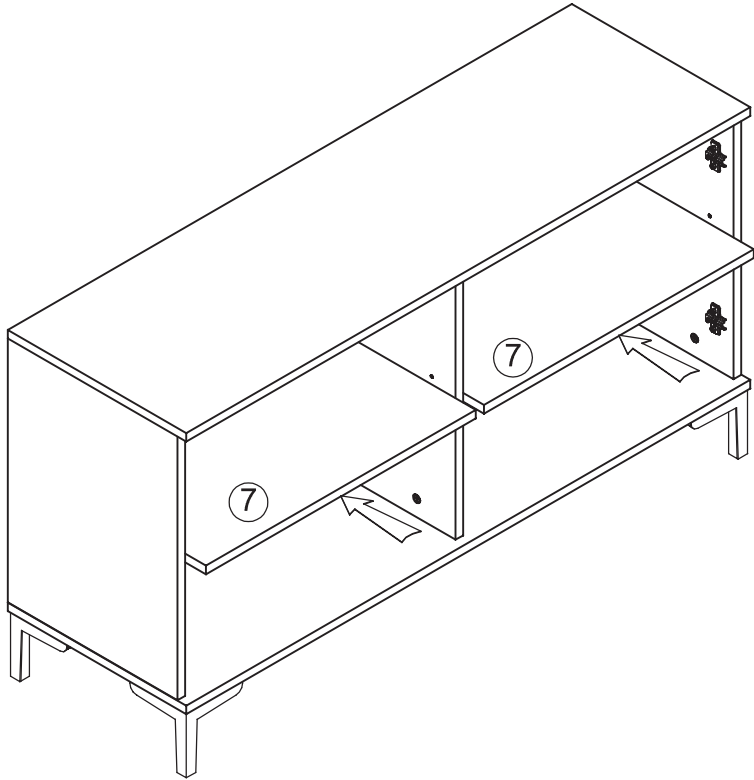
x6



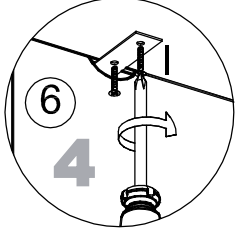
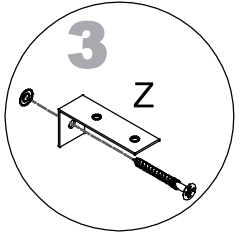
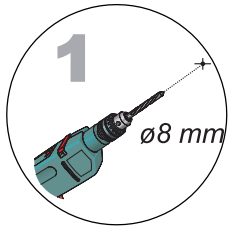
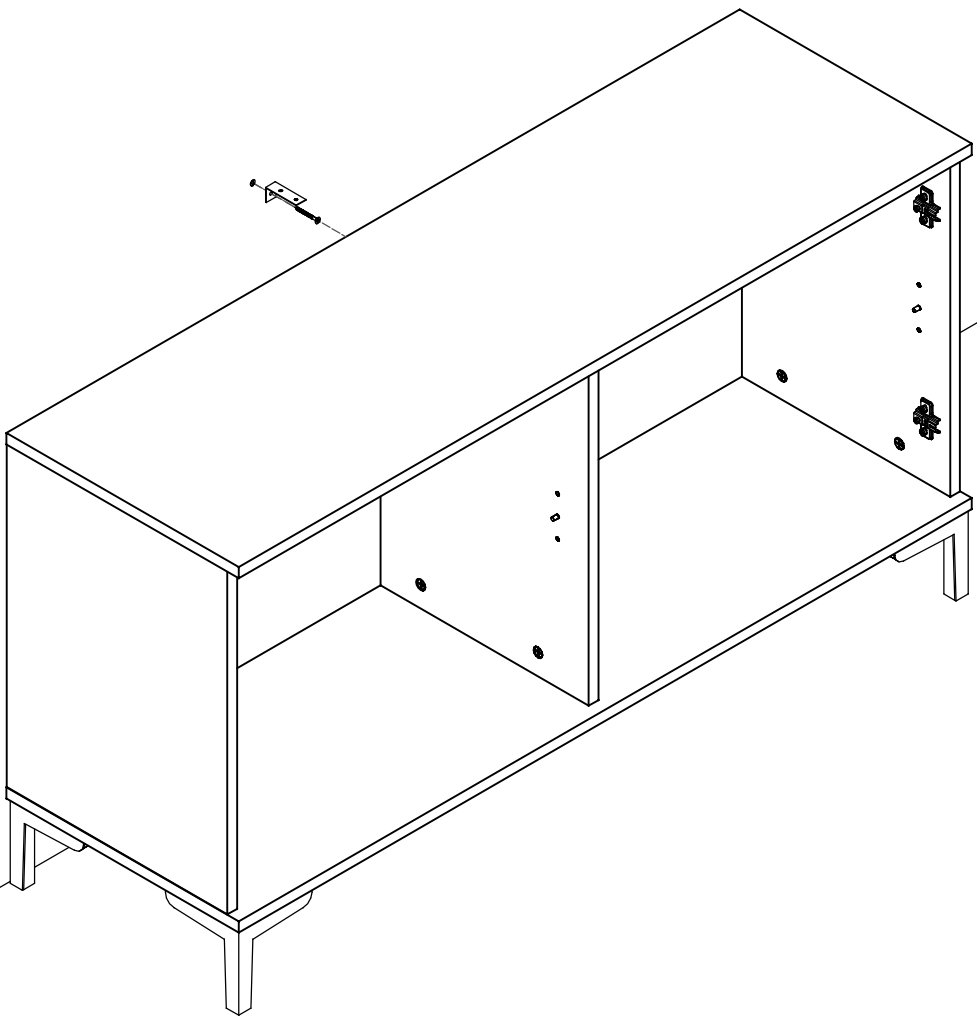
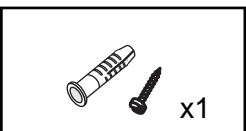
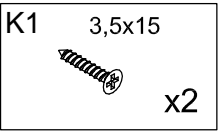
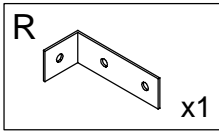
$a=b$



11



12



13

