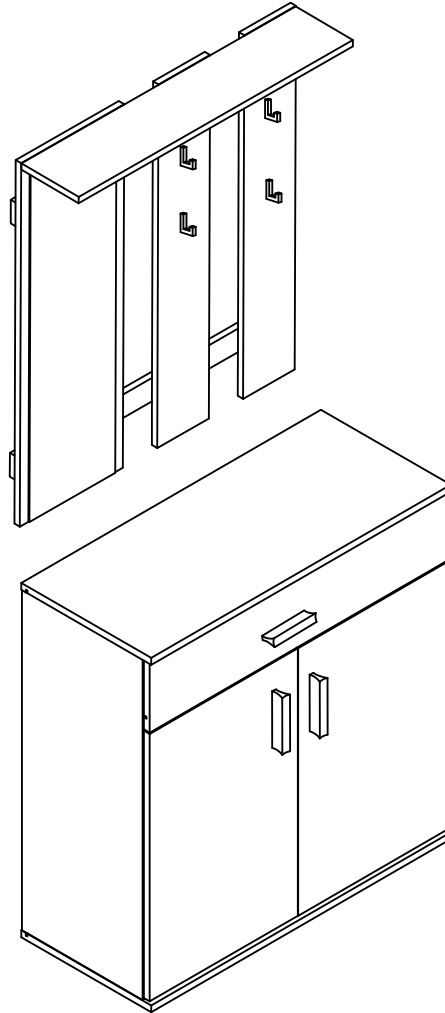
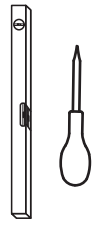
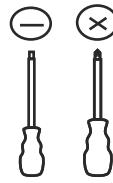
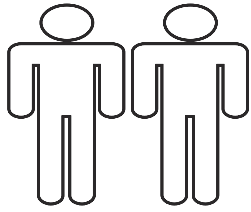
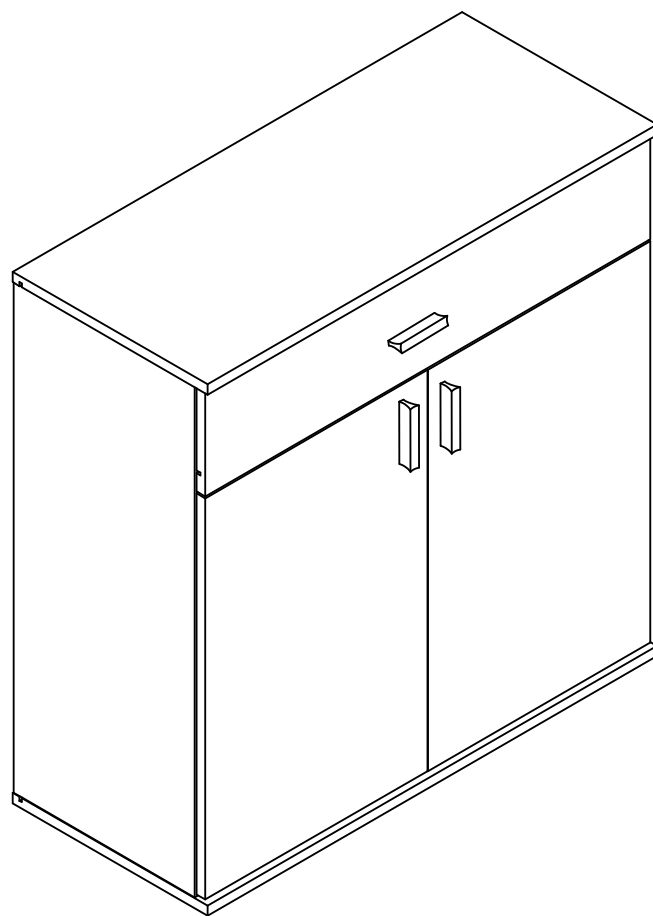
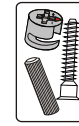
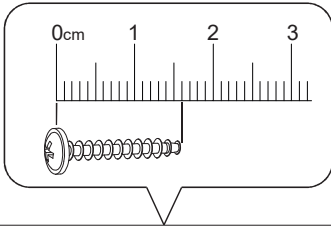
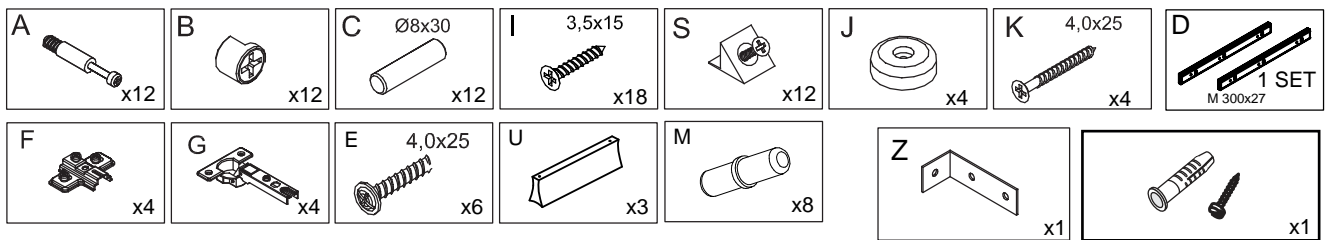


SUN SCHUSCHRANK UND PANEL 36-735-EZ-9

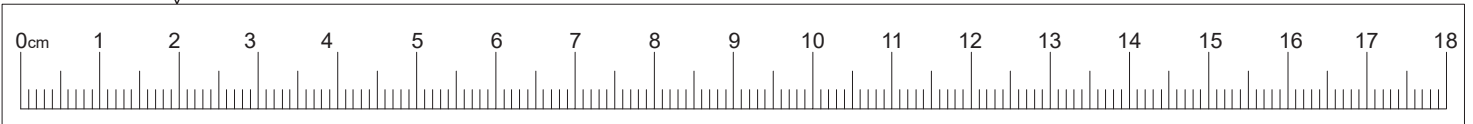


TEIL 1 - SCHUSCHRANK

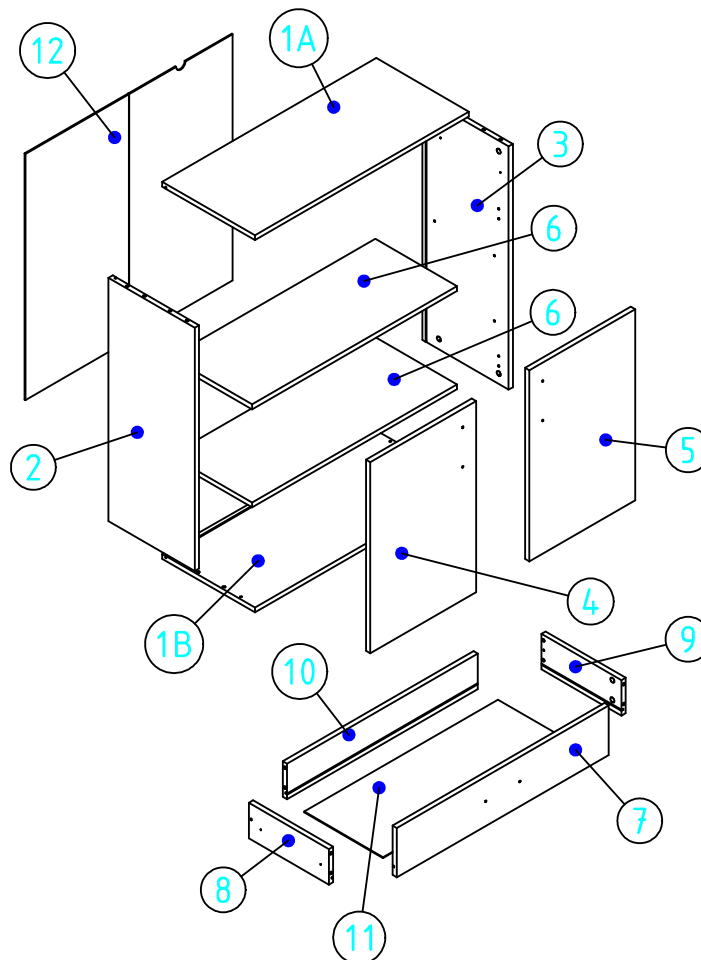




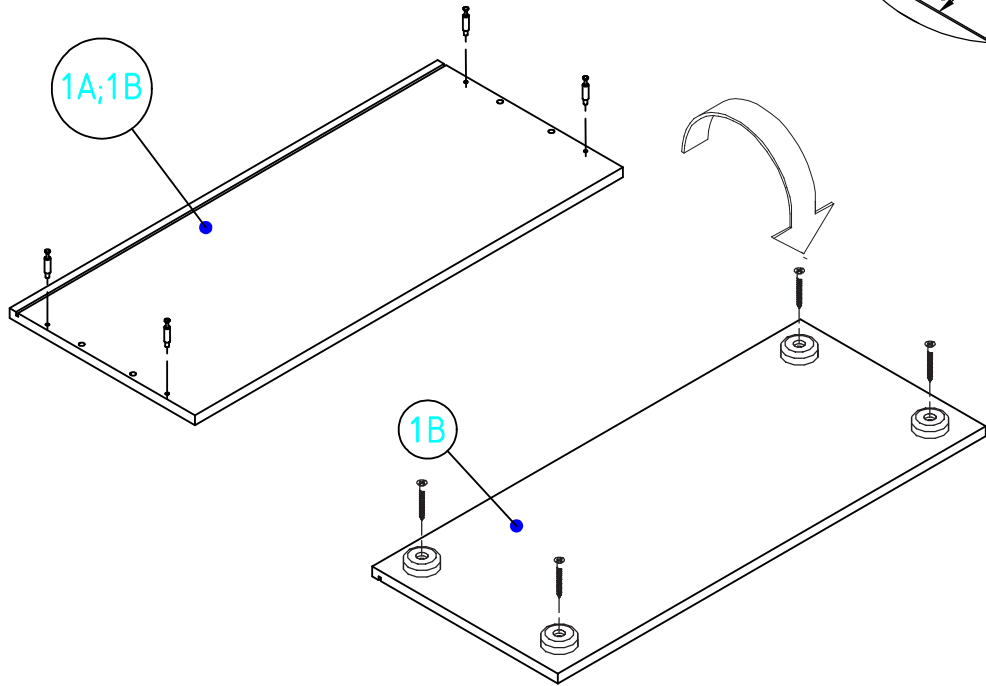
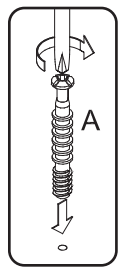
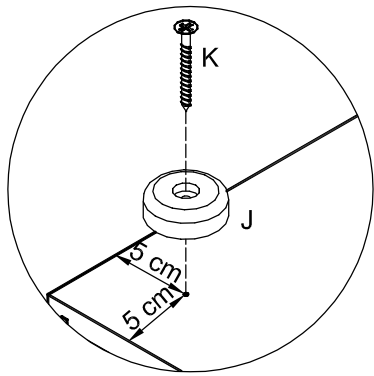
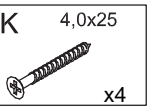
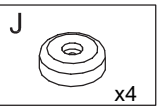
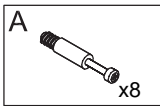
1/1



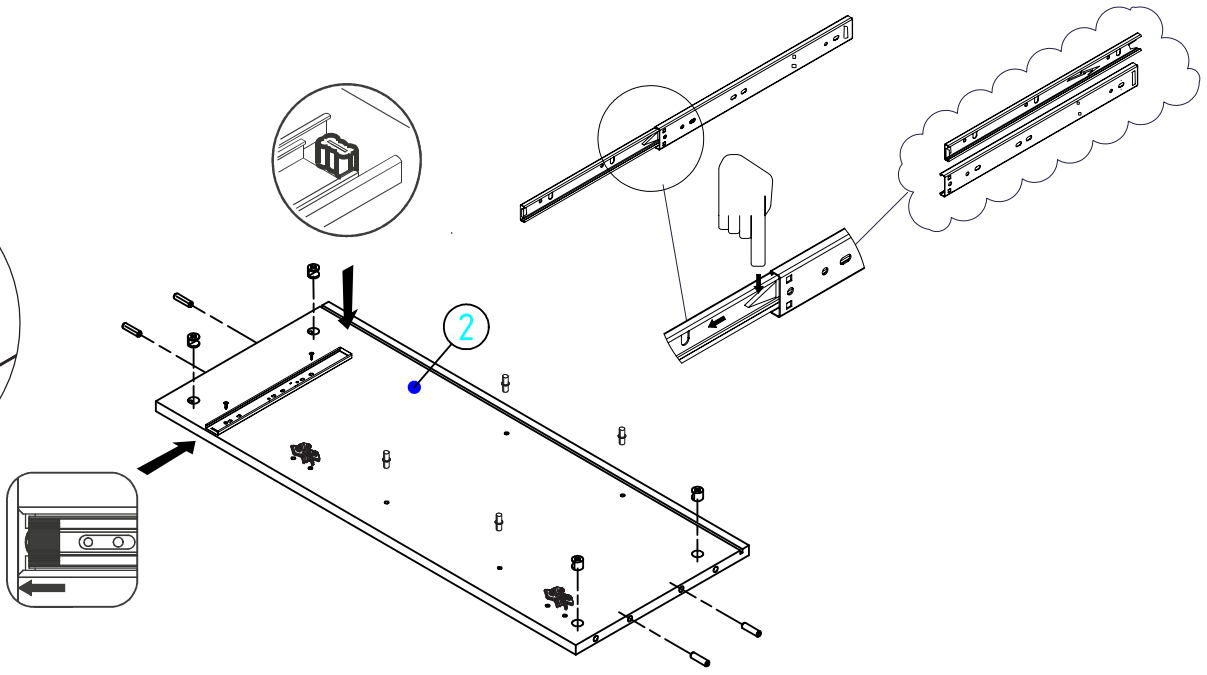
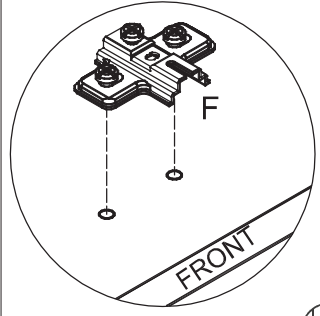
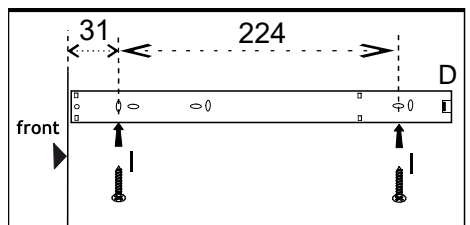
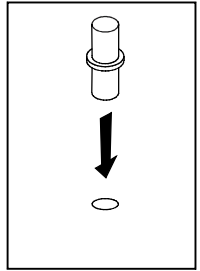
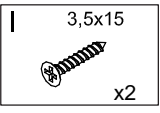
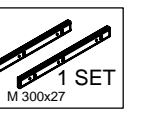
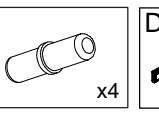
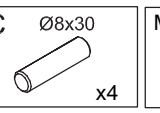
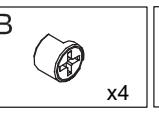
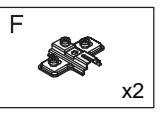
NR	L	W	T	COUNT	COLI
1A;1B	801	347	16	2	2/2
2	788	323	16	1	2/2
3	788	323	16	1	2/2
4	619	396	16	1	2/2
5	619	396	16	1	2/2
6	766	296	16	2	1/2
7	793	160	16	1	1/2
8	300	115	16	1	1/2
9	300	115	16	1	1/2
10	714	115	16	1	1/2
11	725	295	3	1	2/2
12	776	798	3	1	2/2






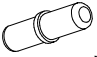


3

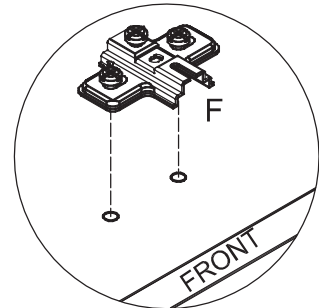
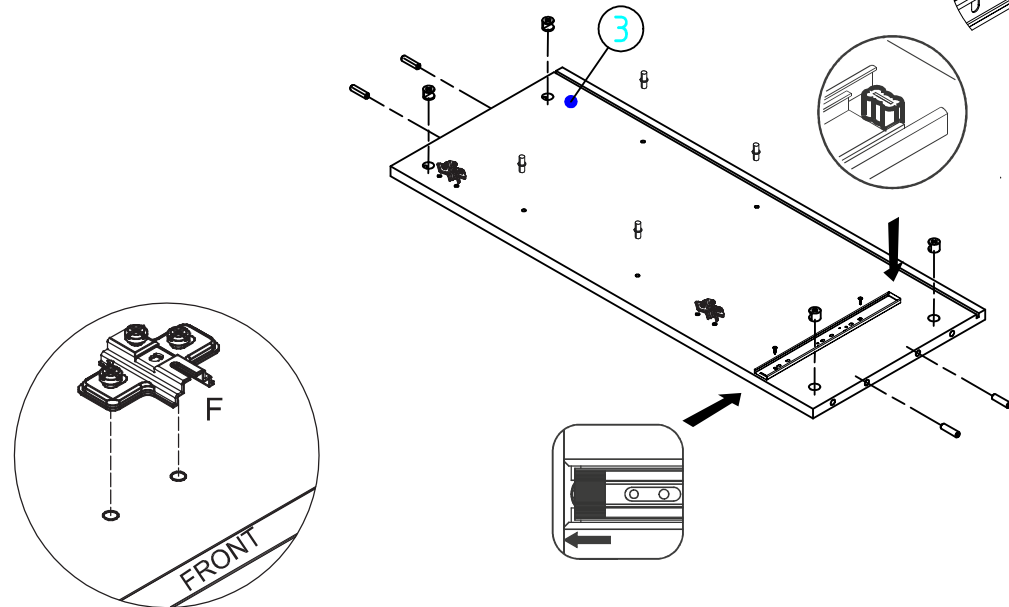
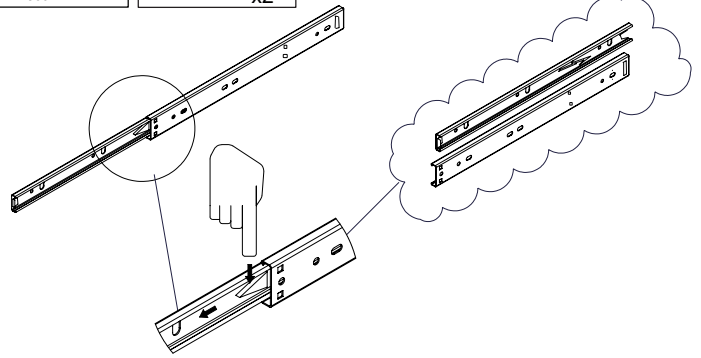
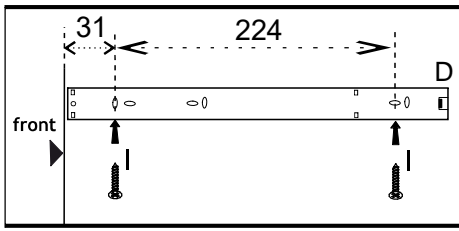
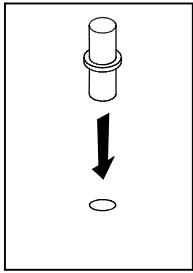


4



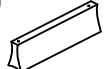



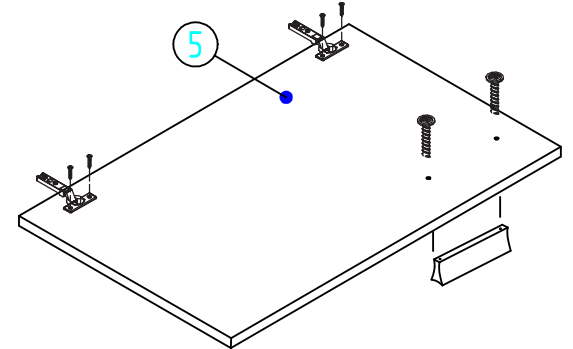
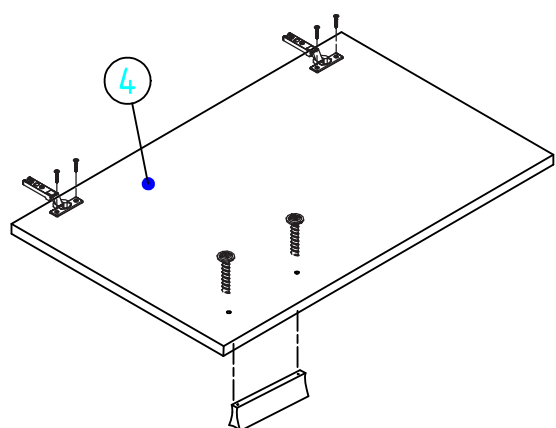
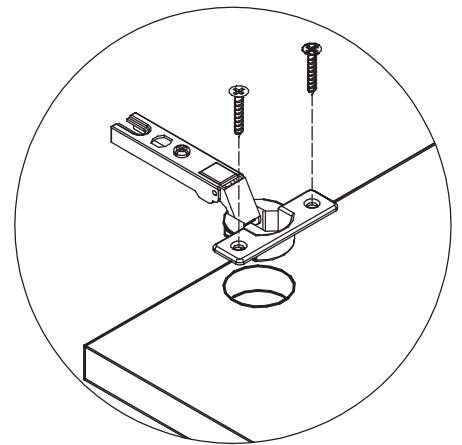
5

- F  x2
- B  x4
- C $\varnothing 8 \times 30$  x4
- M  x4
- D  1 SET
M 300x27
- I $3,5 \times 15$  x2

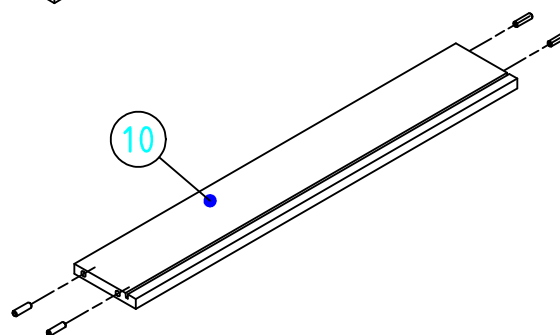
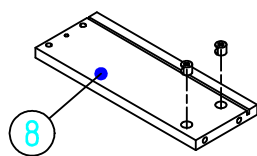
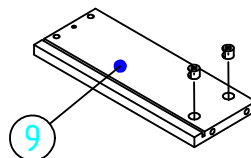
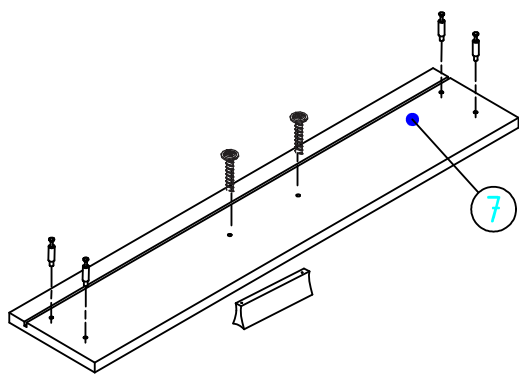
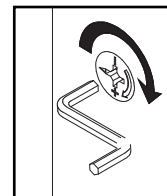
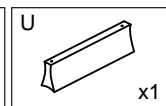
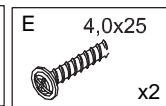
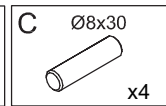
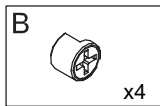
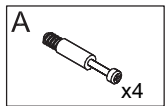


6

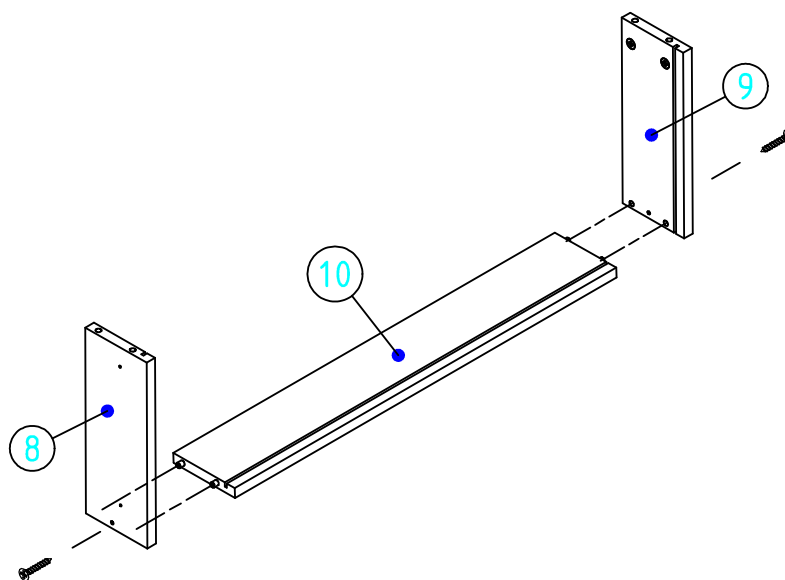
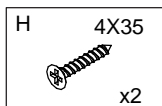
- G  x4
- E $4,0 \times 25$  x4
- U  x2
- I $3,5 \times 15$  x8



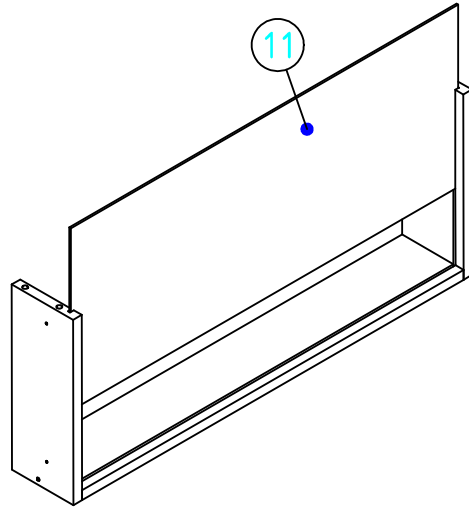
7



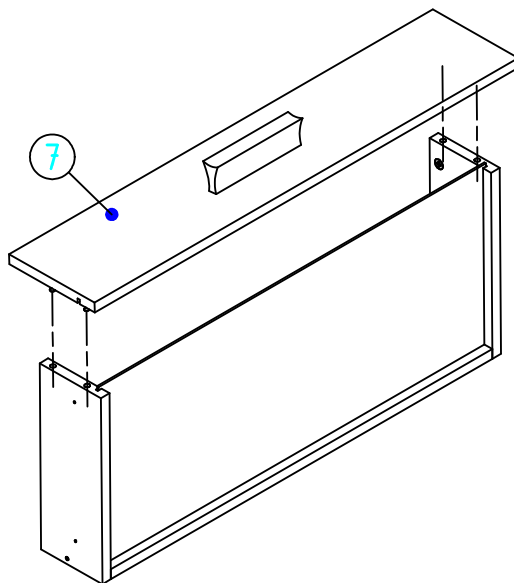
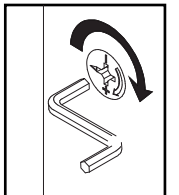
8



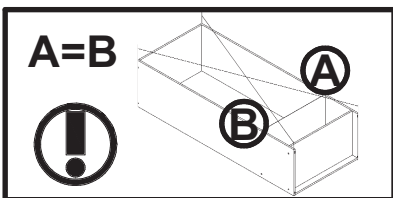
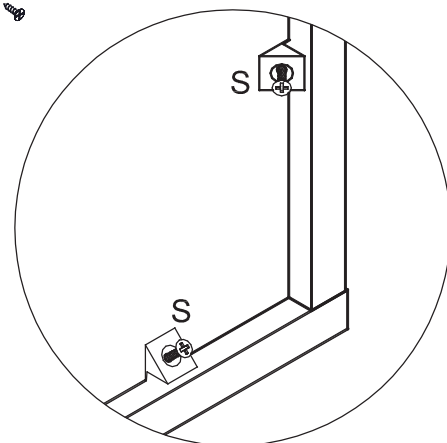
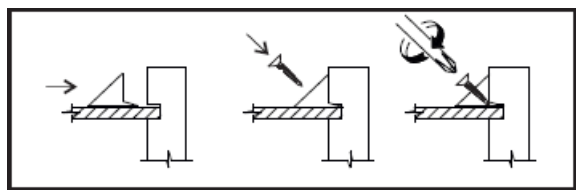
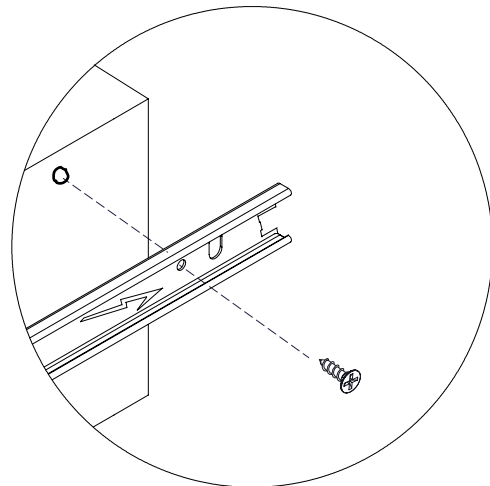
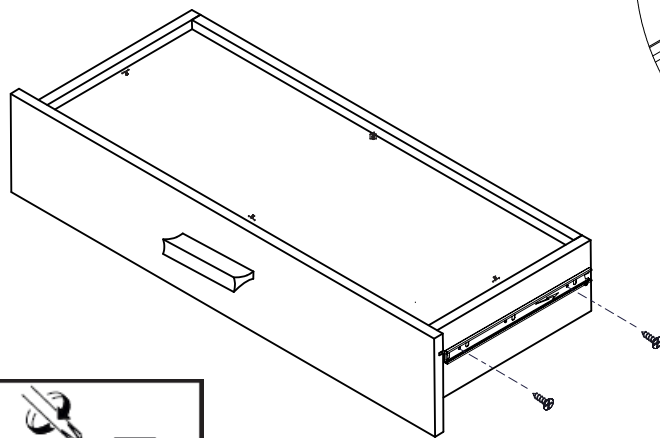
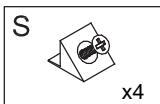
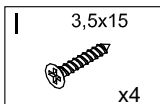
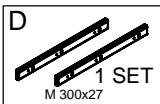
9



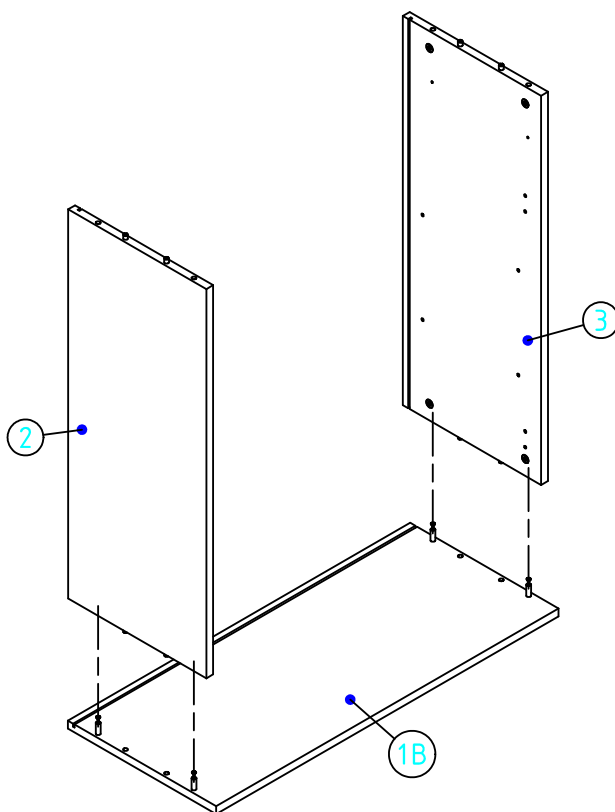
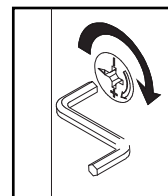
10



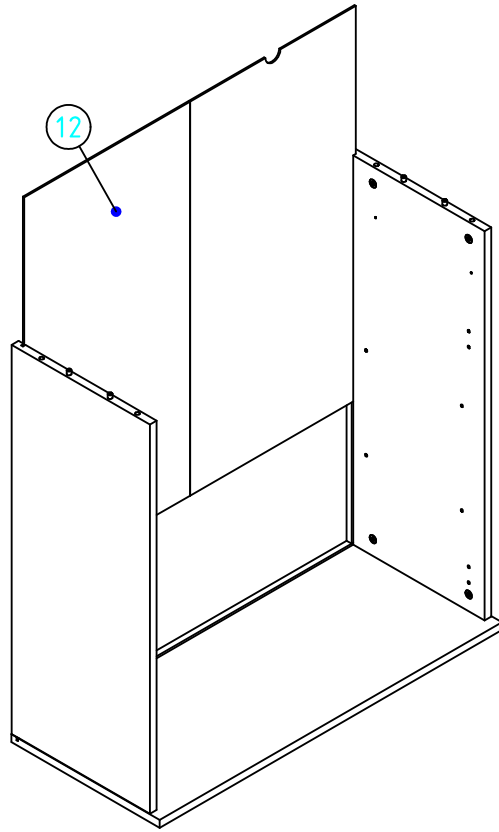
11



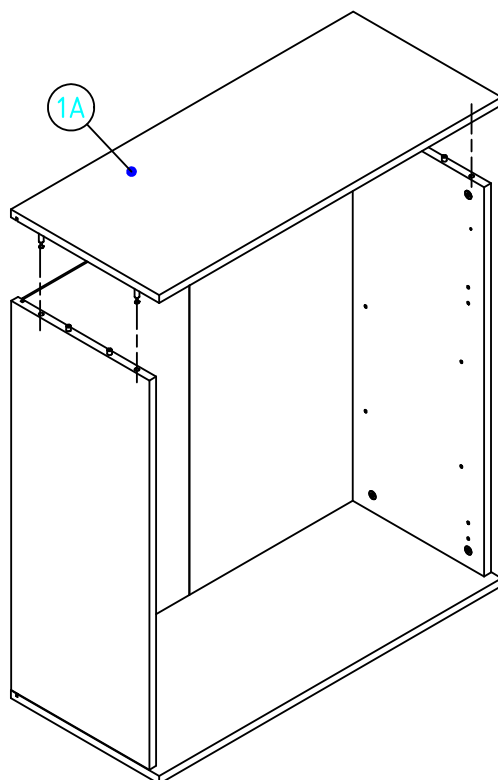
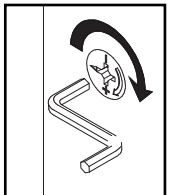
12



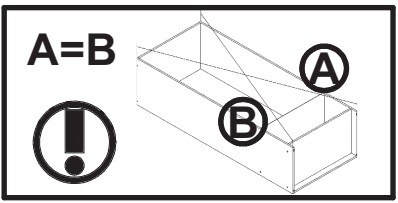
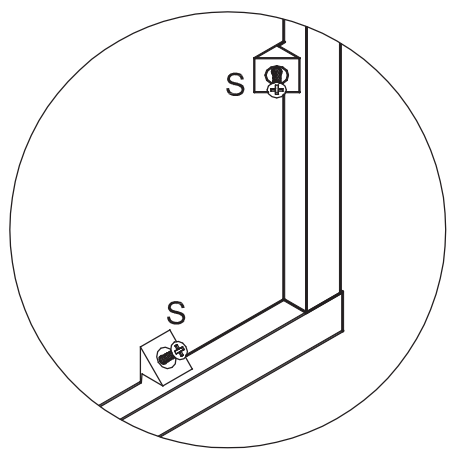
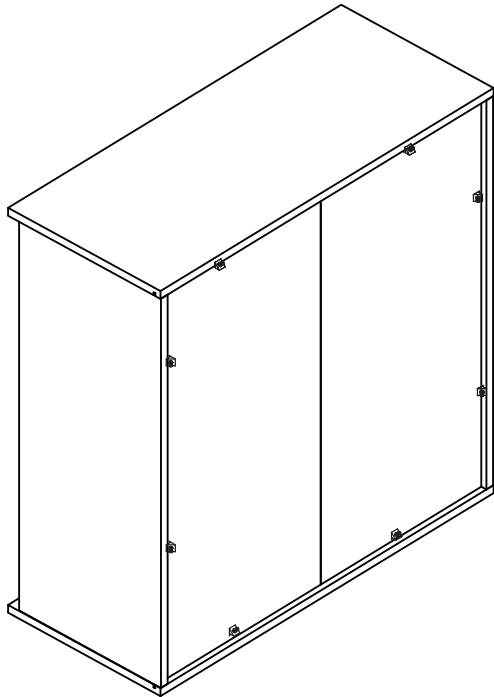
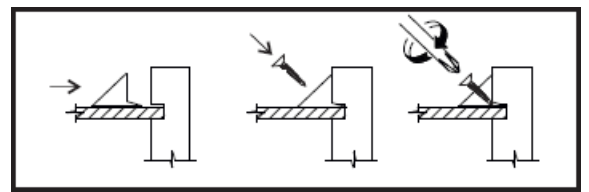
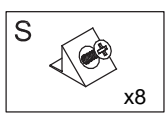
13



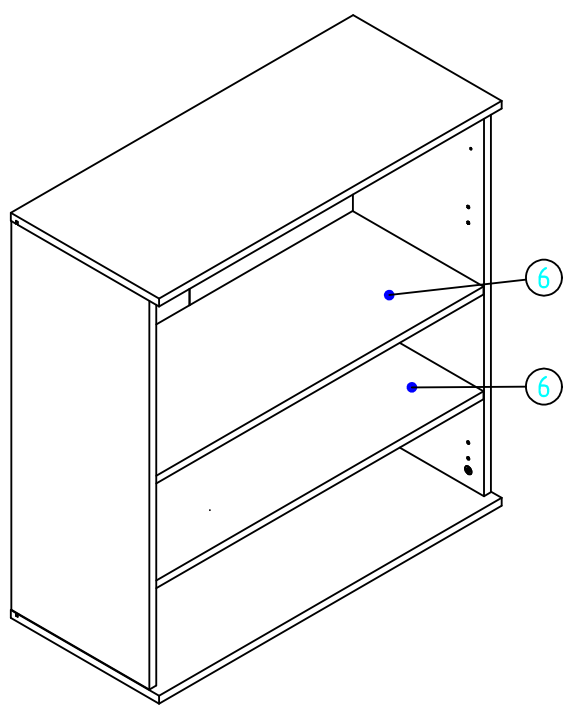
12



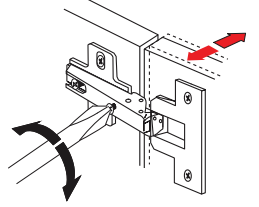
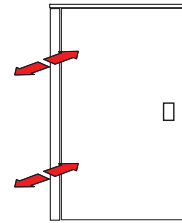
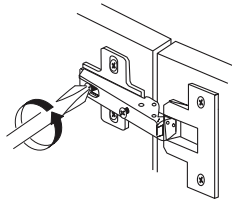
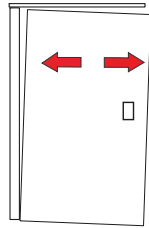
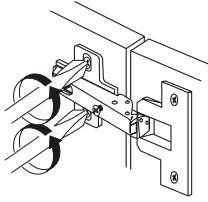
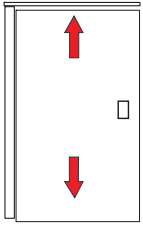
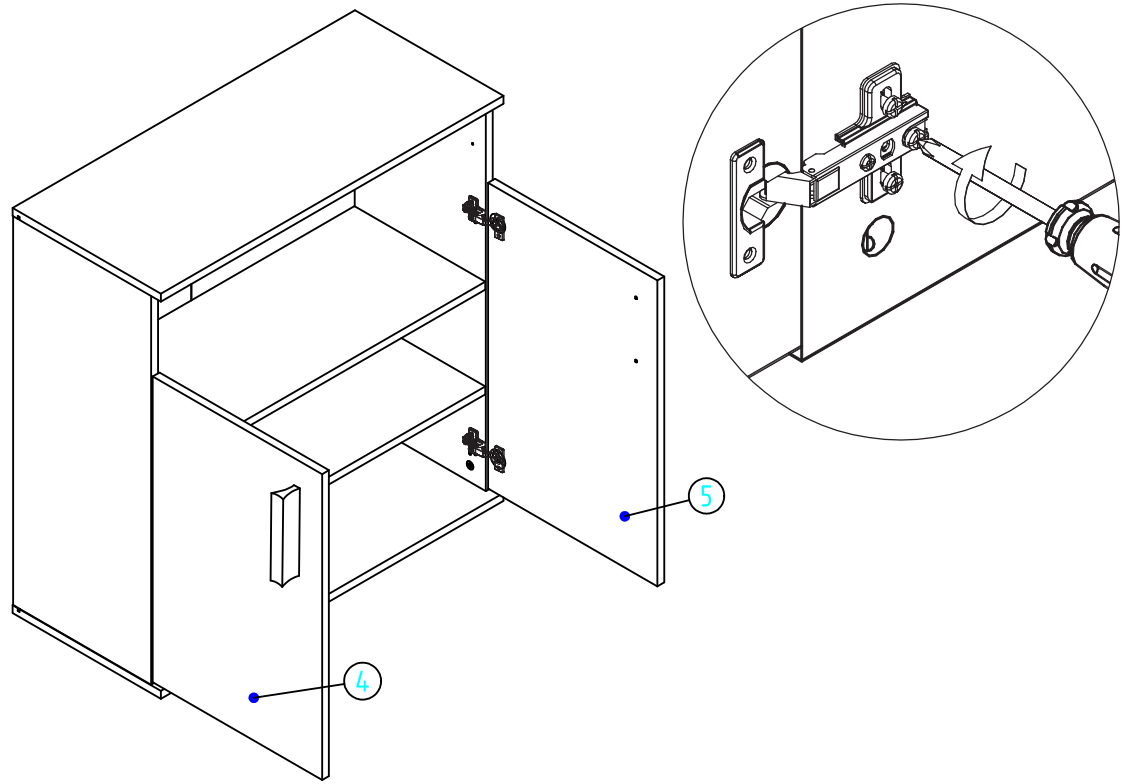
14



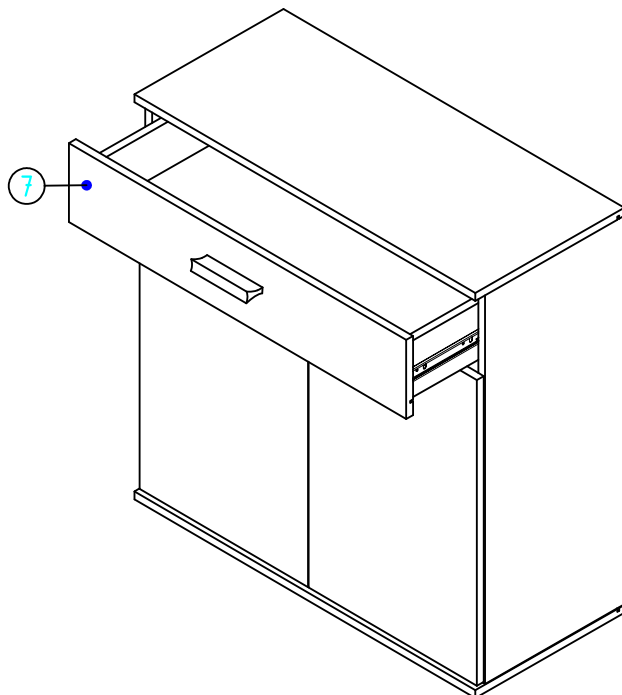
12



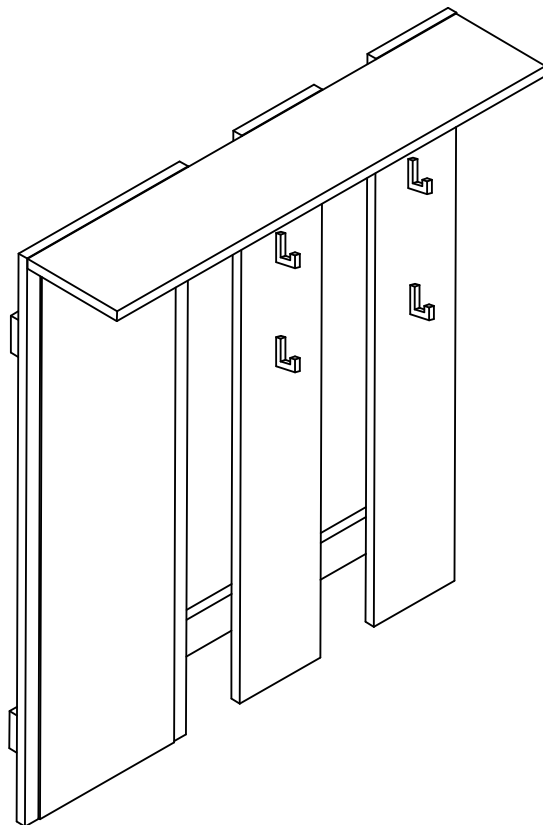
15

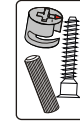
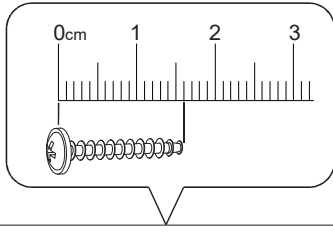
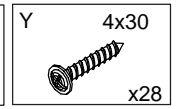
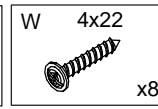
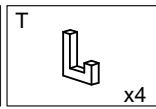
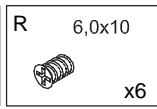
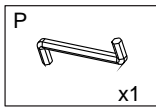
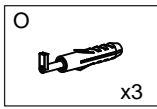
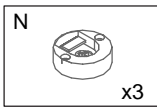
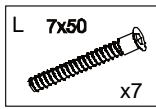


12



TEIL 2 - PANEEL MIT SPIEGEL

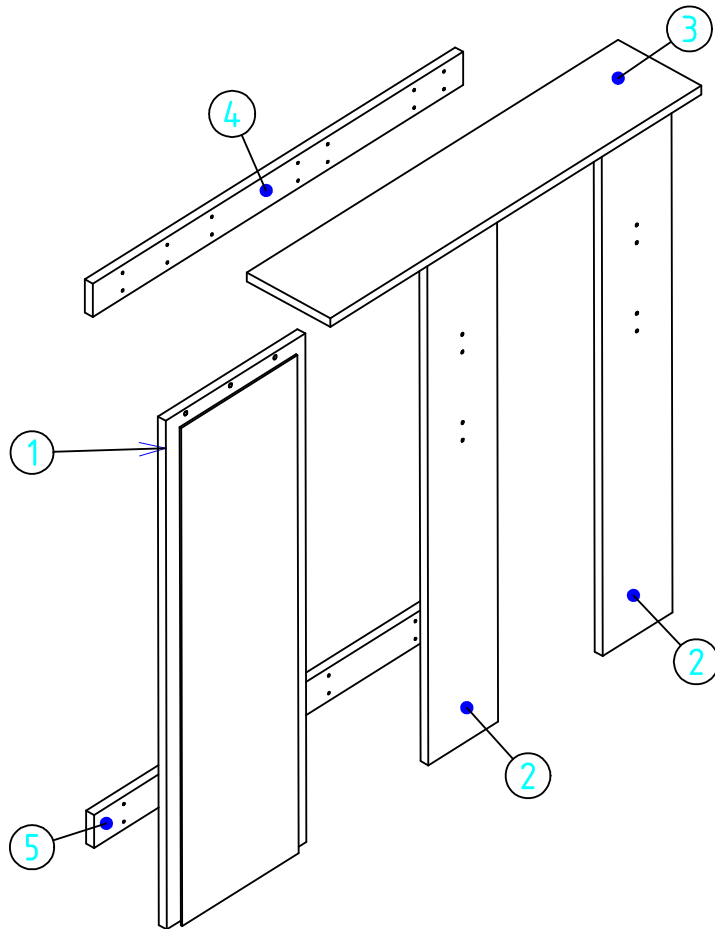




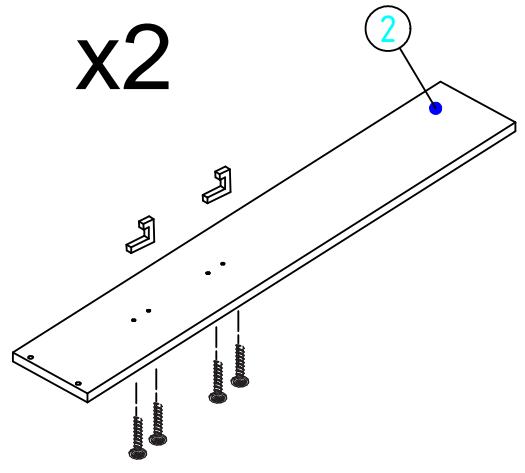
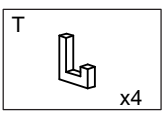
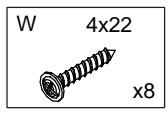
1/1



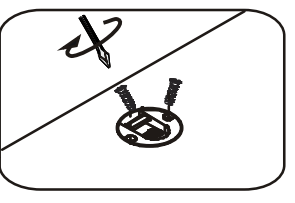
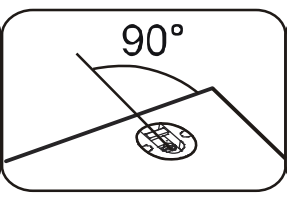
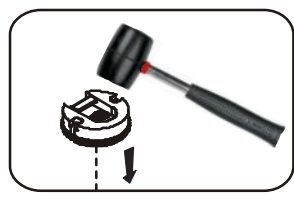
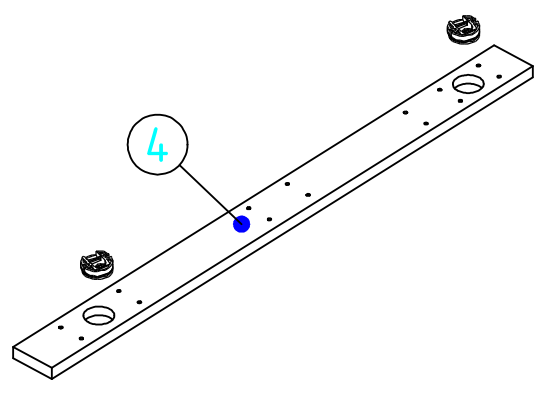
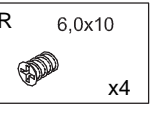
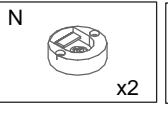
NR	L	W	T	COUNT	COLI
1	922	300	16+3	1	1/2
2	922	150	16	2	1/2
3	798	168	16	1	1/2
4	796	60	16	1	1/2
5	796	60	16	1	1/2





15

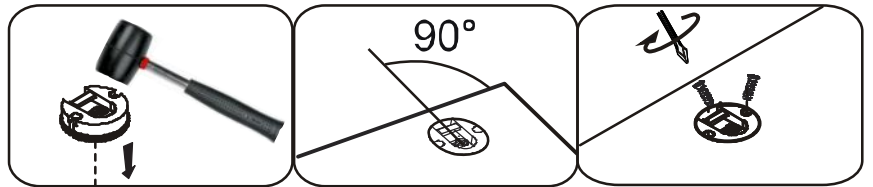
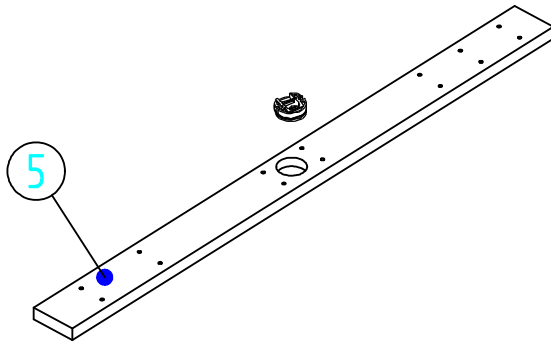


12




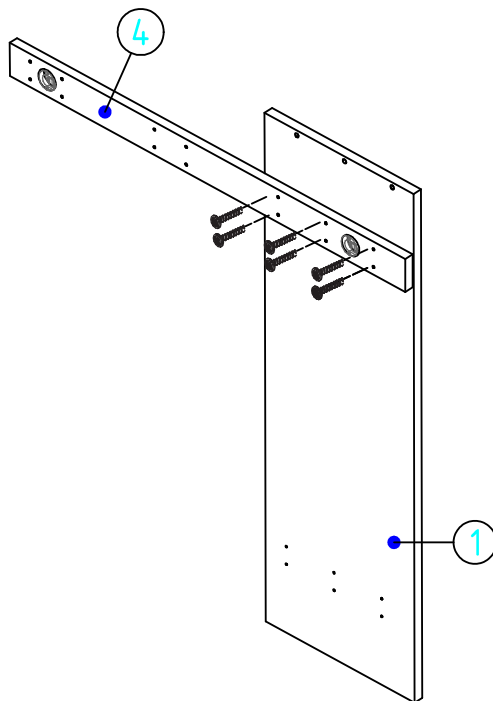
15

N		x1
R	6,0x10 	x2

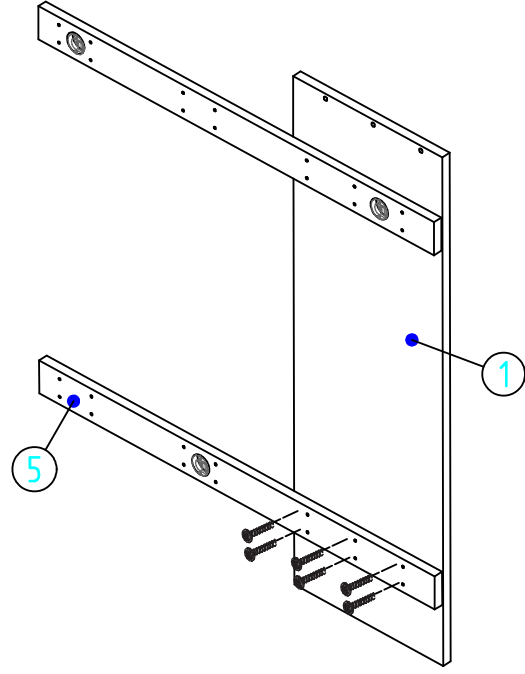
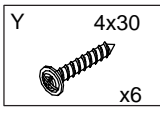


12

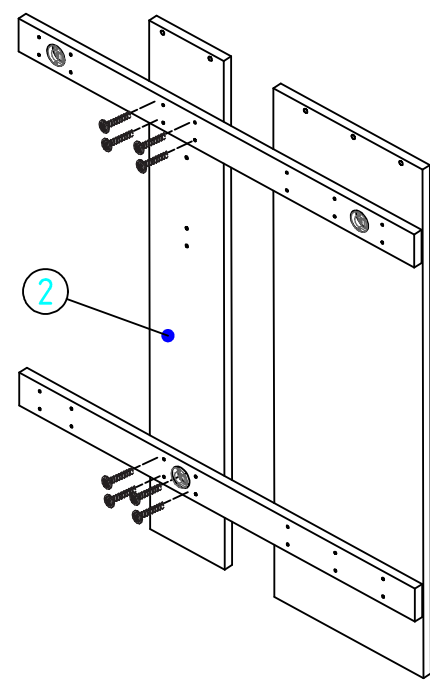
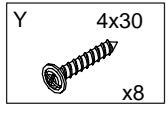
Y	4x30 	x6
---	---	----



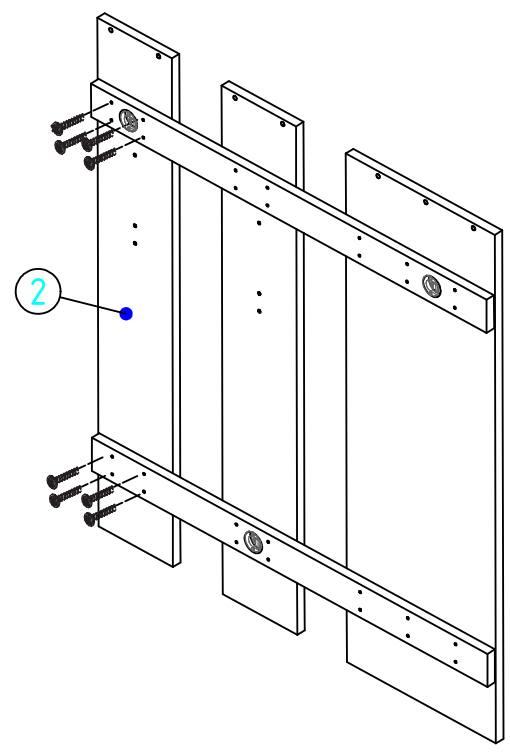
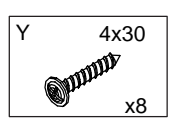
15



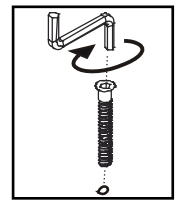
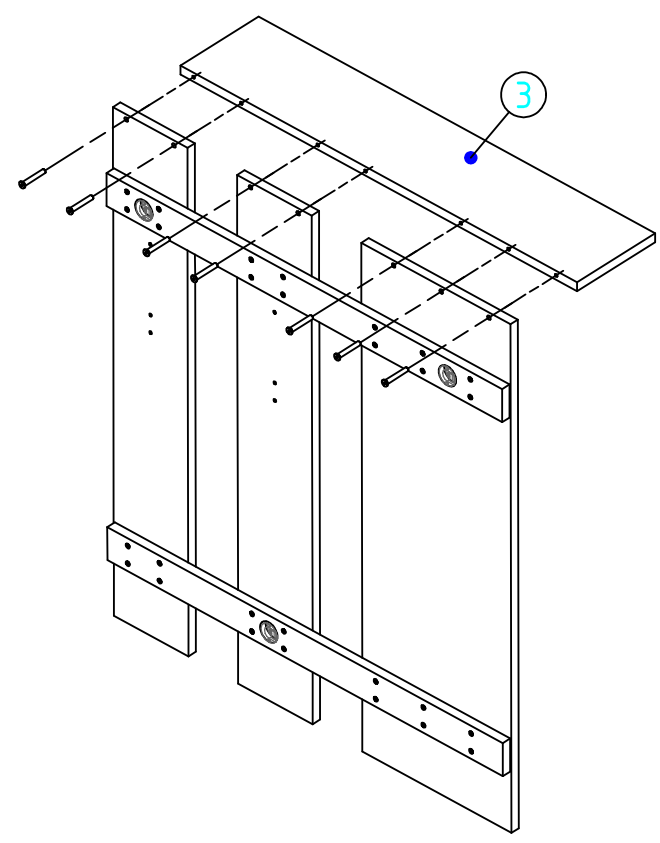
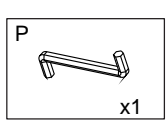
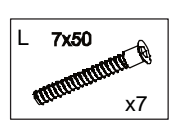
12

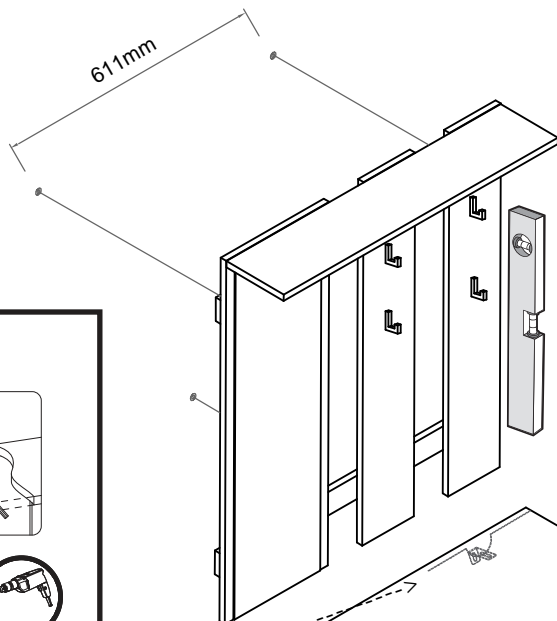
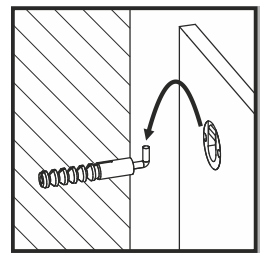
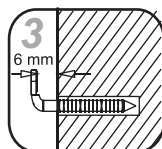
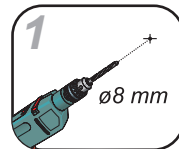
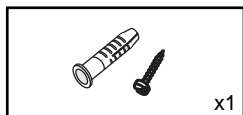
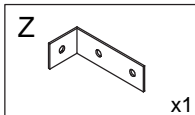
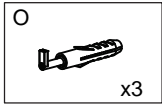


15



12





!

1. Use a level to check the surface. Label: X=

2. Tighten the base plate.

3. Attach the side panel.

4. Tighten the screws. Label: =X

5. Tighten the screws.

6. Attach the side panel.

7. Attach the side panel.

8. Tighten the screws.

Wasserwaage

