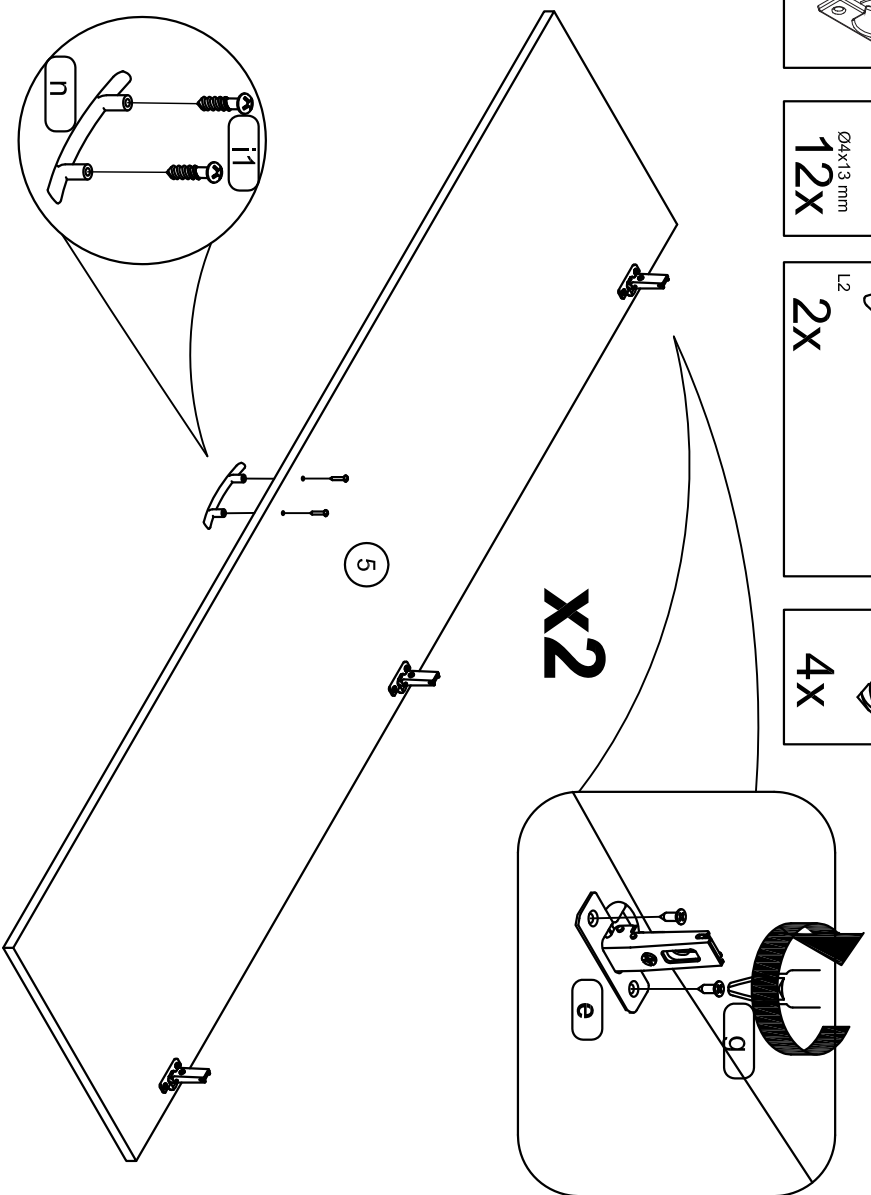


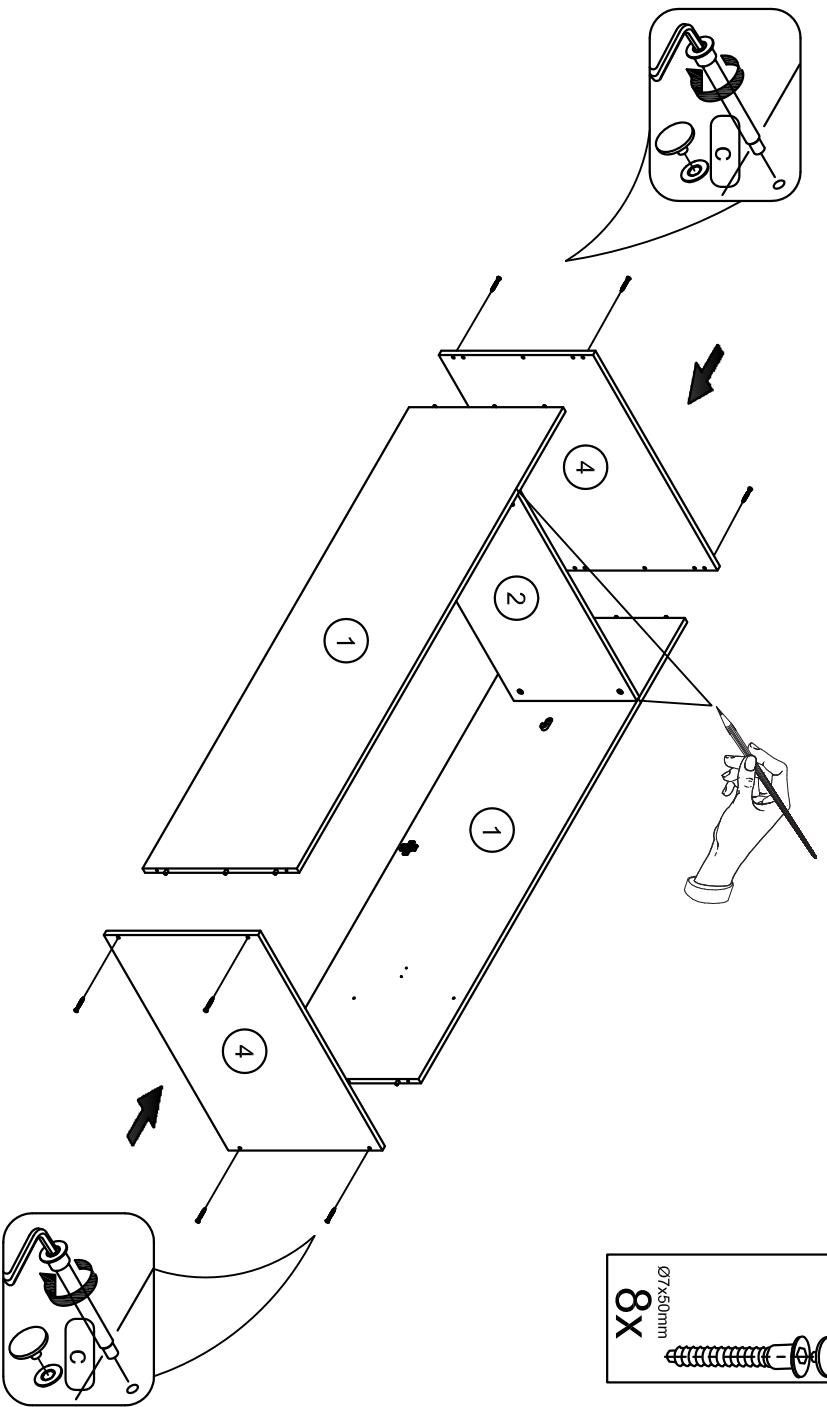
2

- e 6x
- q 12x  $\varnothing 4 \times 13 \text{ mm}$
- n 2x
- i1 4x 4x25



3

- c 8x  $\varnothing 7 \times 50 \text{ mm}$



4

- k 4x  $\varnothing 45 \text{ H-15}$
- d 4x  $\varnothing 4 \times 25 \text{ mm}$
- m 25x 1.6x25

