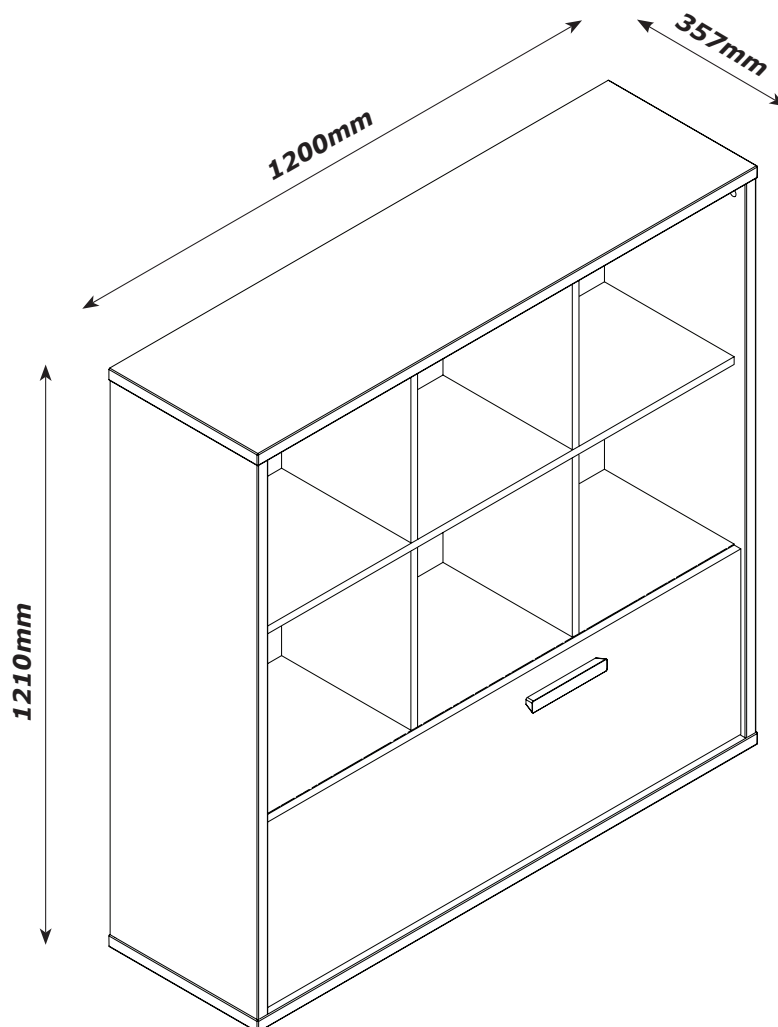
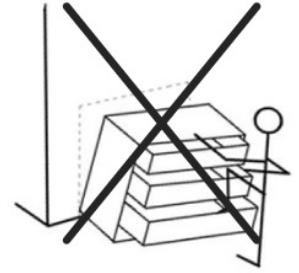
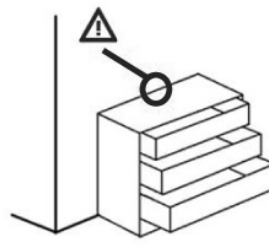
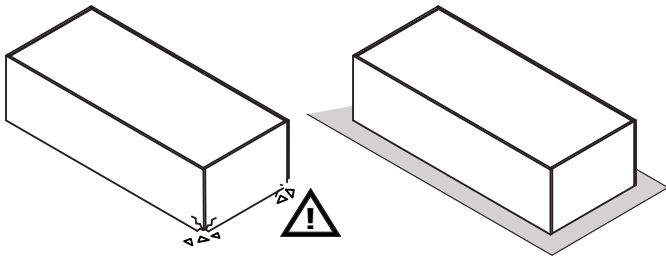
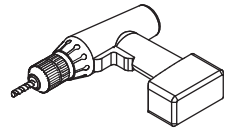
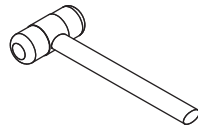
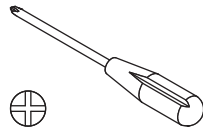
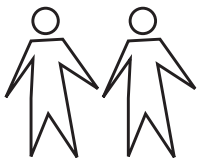


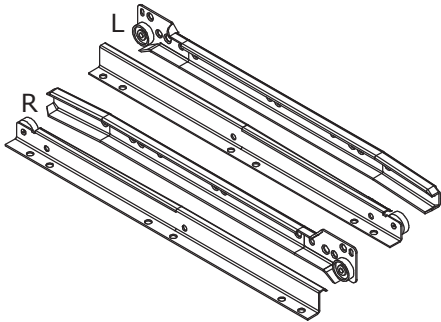
LB2652K56105



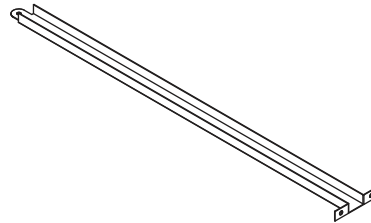
QF5004-2



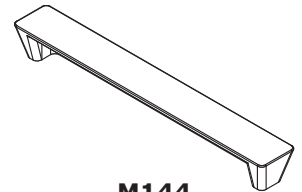
BU3930



A11
x2

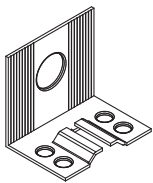


W404
x2



M144
x1

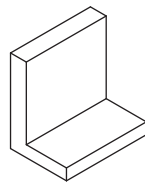
CF0163



H16
x1

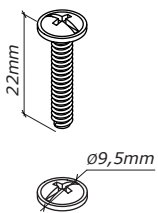


H106
x1

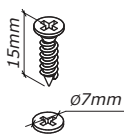


G29
x1

BU3931



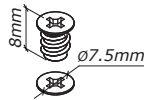
V32
x2



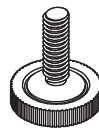
V5
x30



H14
x1



V142
x8



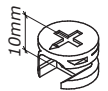
P34
x6



T94
x6



T28
x34



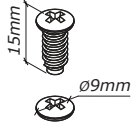
T98
x8



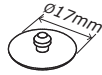
H113
x4



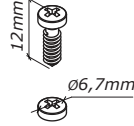
T7
x18



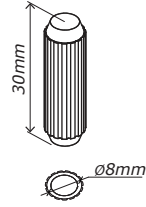
V10
x2



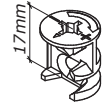
G67
x16



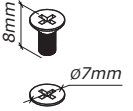
V98
x6



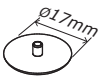
H1
x28



T92
x8



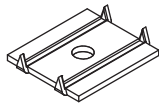
V70
x2



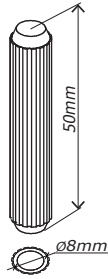
G136
x8



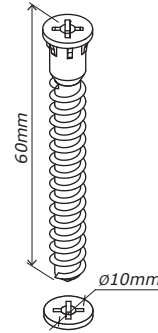
H2
x16



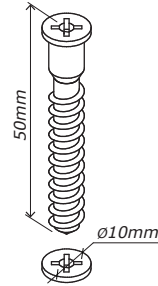
H99
x4



H32
x4



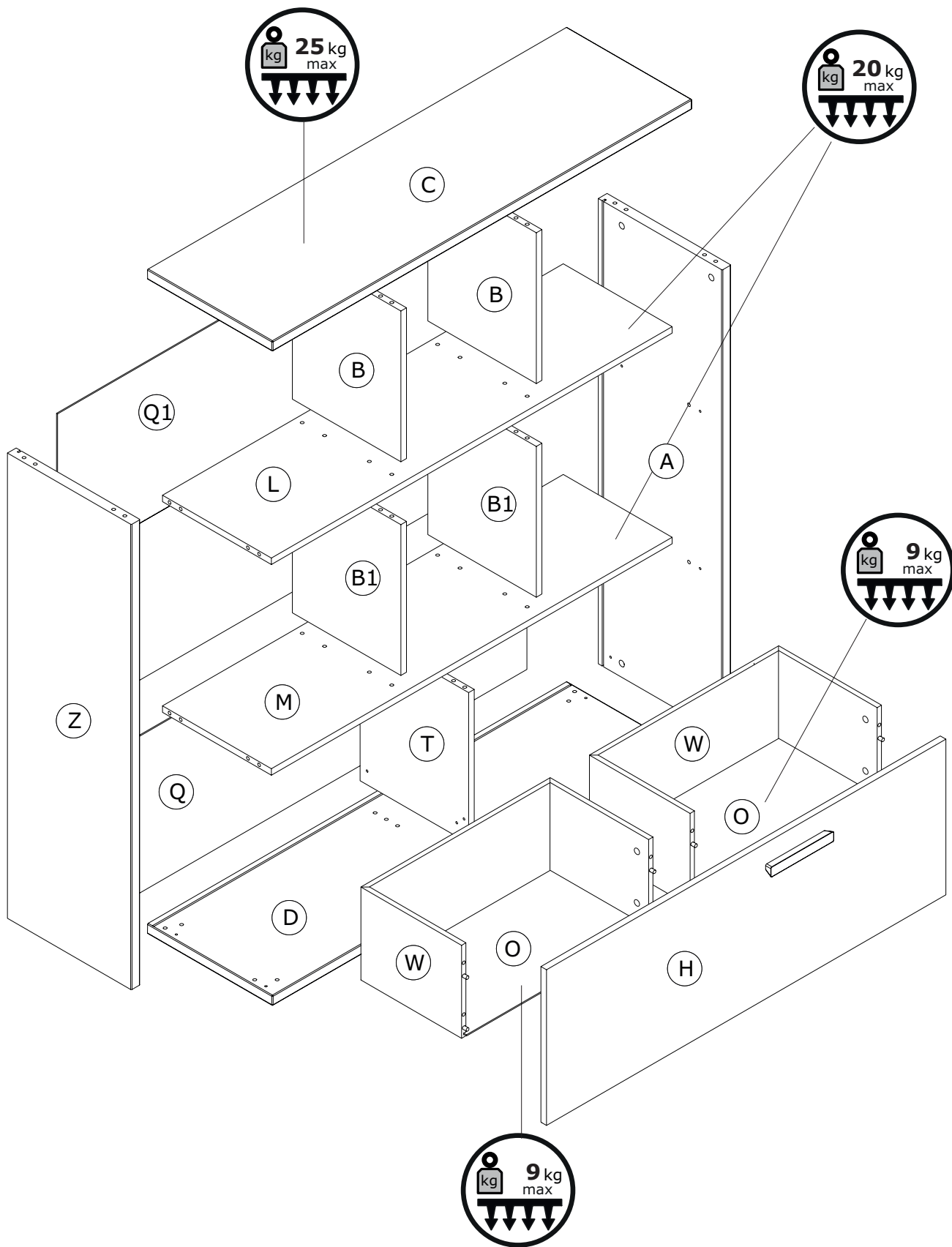
V57
x2

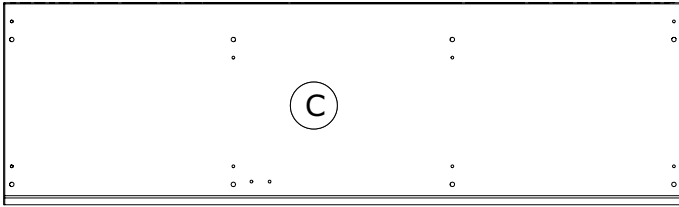


V45
x8

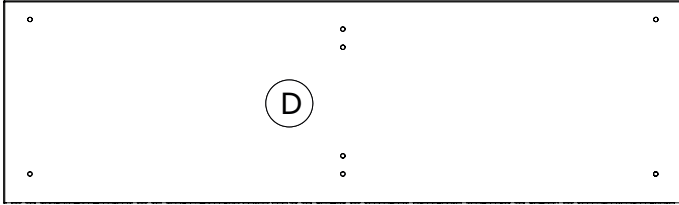


T53
x1

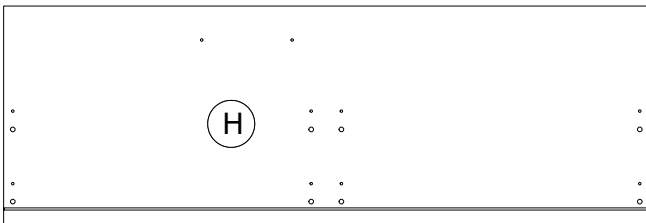




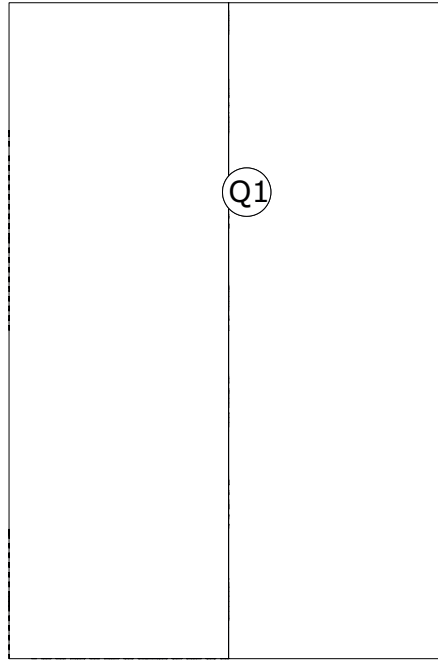
CA3210
1199x357x25mm



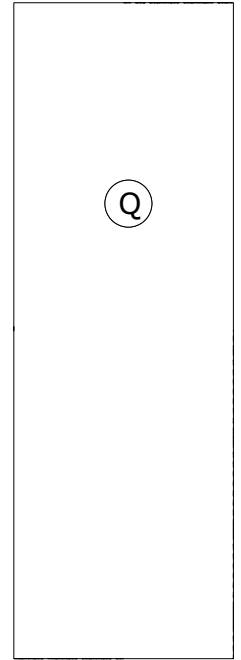
BA1952
1199x357x25mm



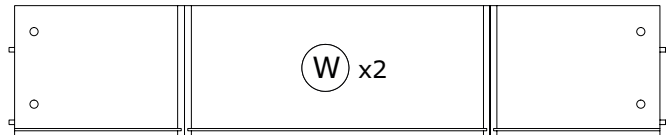
CS4040
1141x385x16mm



SH2974
1159x776x2mm

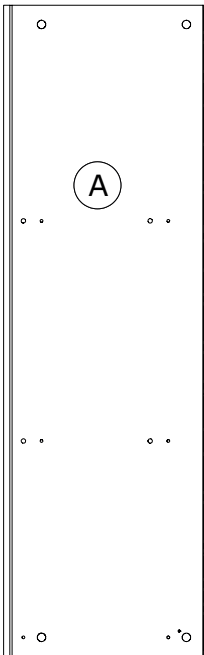


SH2975
1159x388x2mm

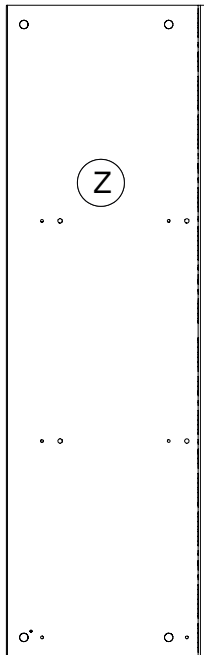


OF0652
300x540x300mm H.230mm

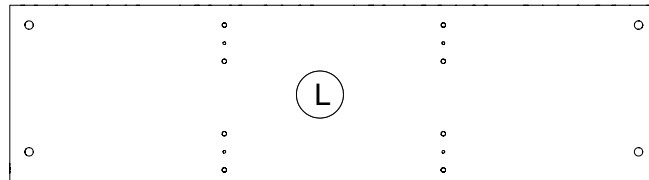
BOX 1/2



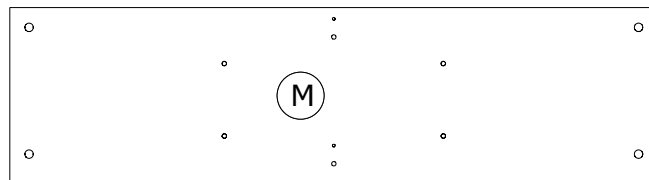
FI8538
1151x354x25mm



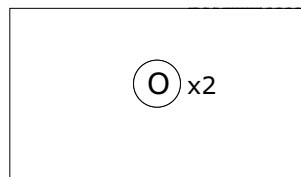
FI8539
1151x354x25mm



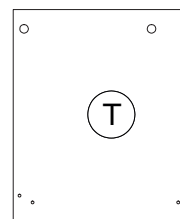
PI6712
1145x311x16mm



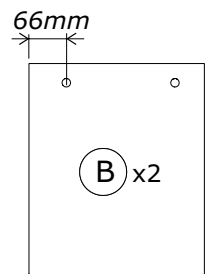
PI6713
1145x311x16mm



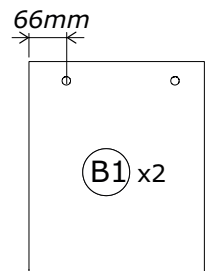
SH3627
527x310x2mm



TR2189
373x310x16mm



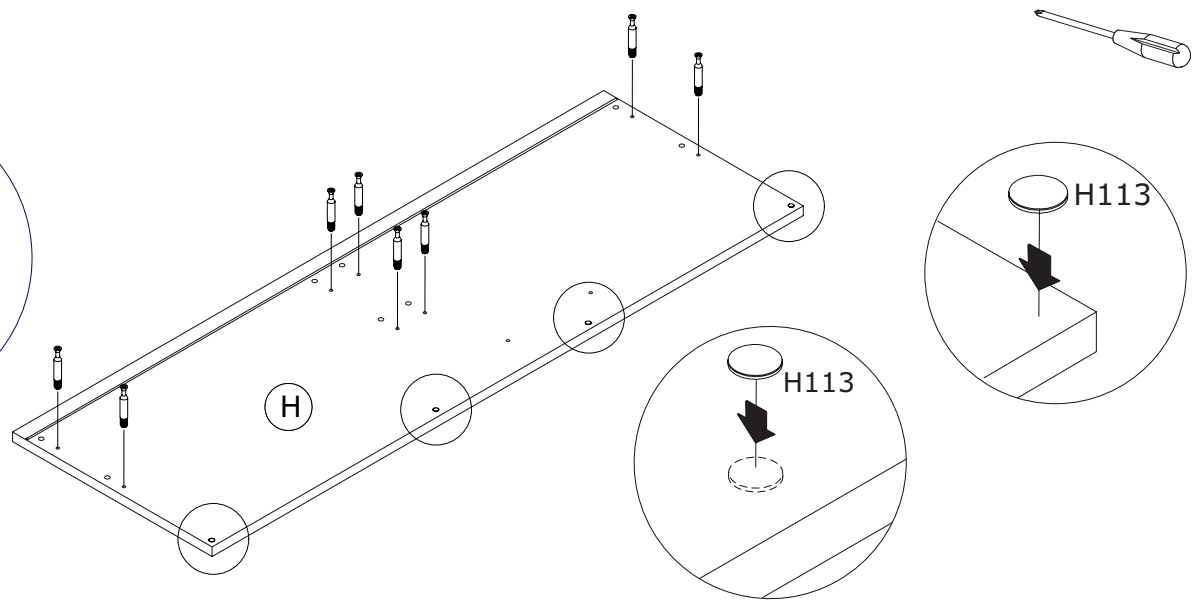
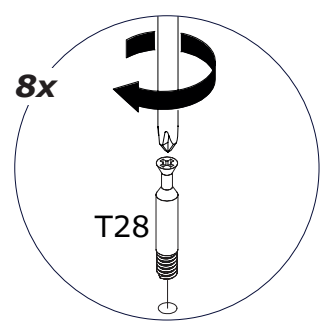
TR1954
373x310x16mm



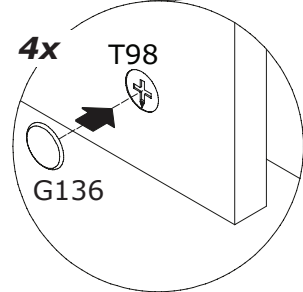
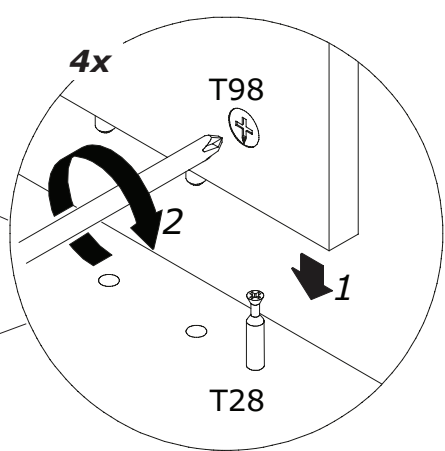
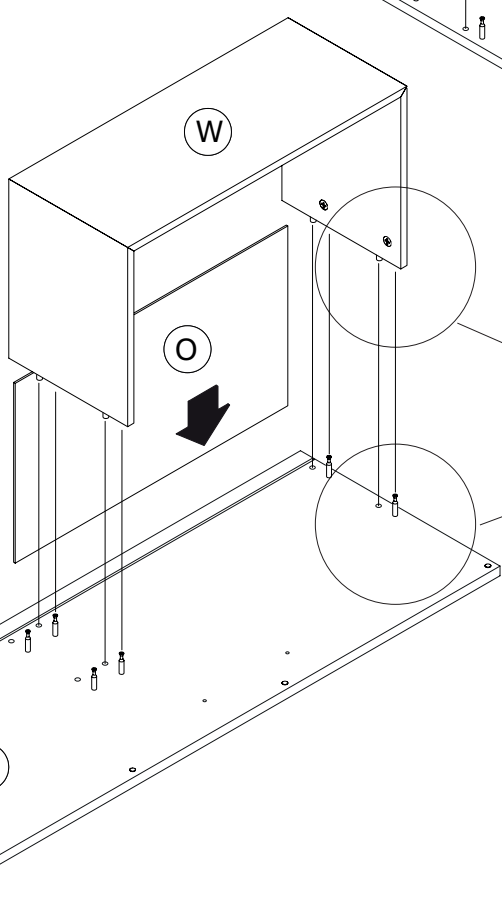
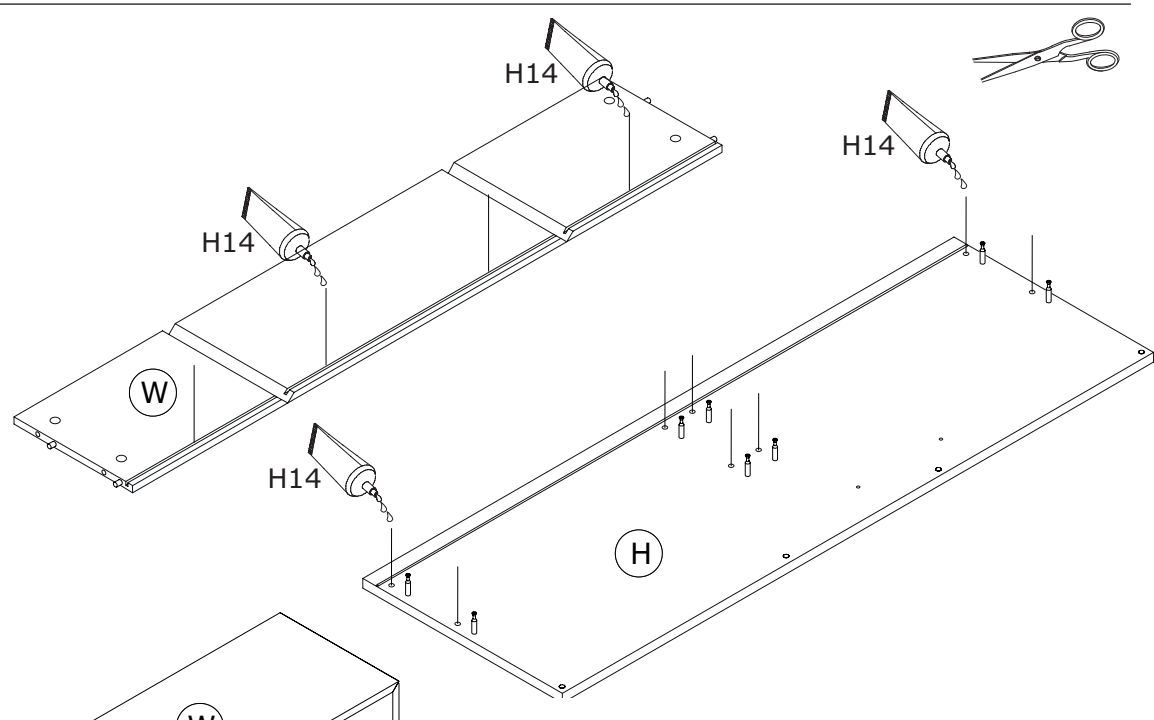
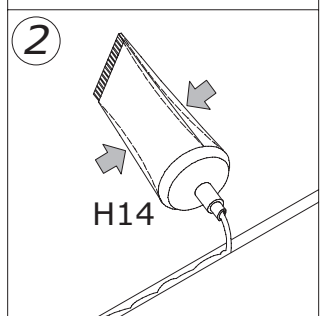
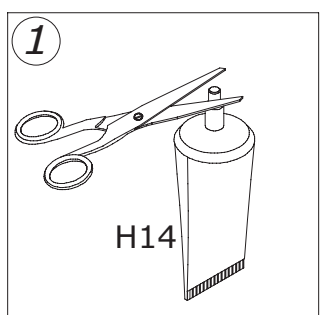
TR1954
373x310x16mm

BOX 2/2

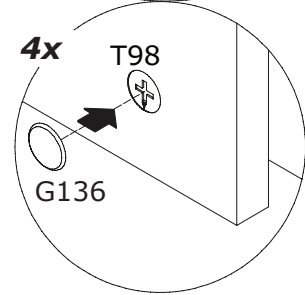
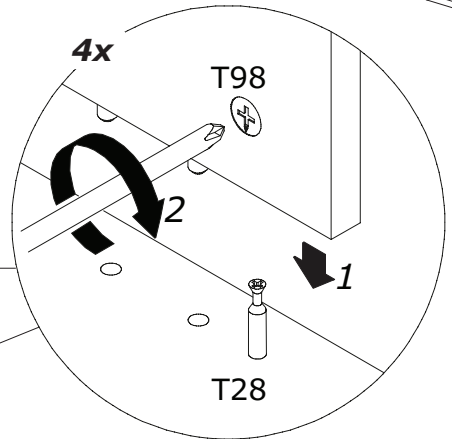
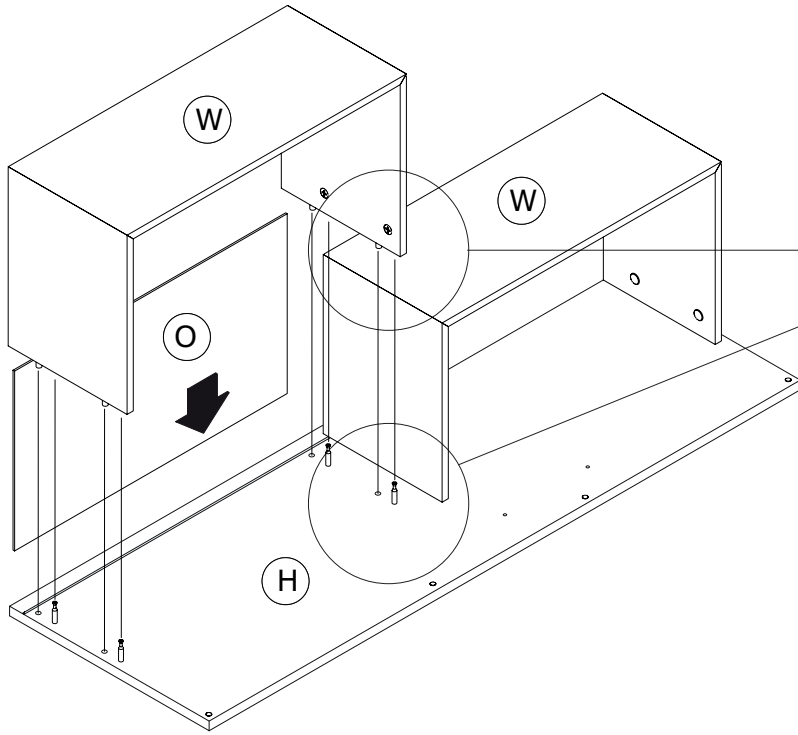
1



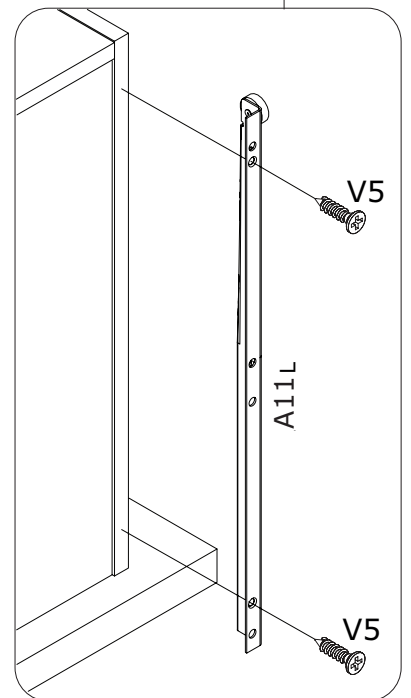
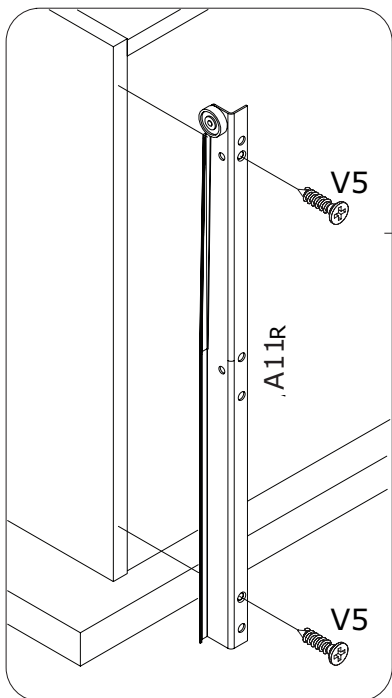
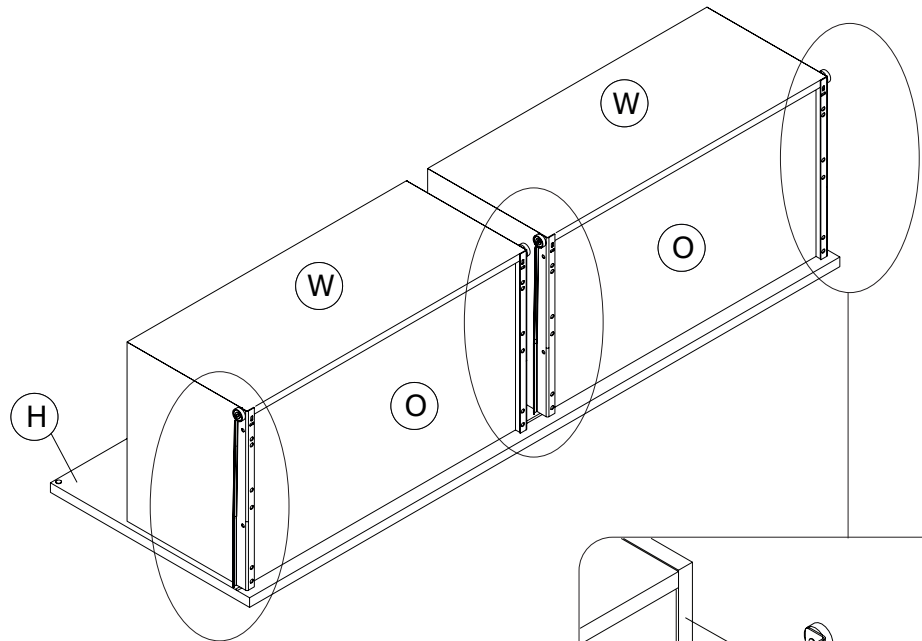
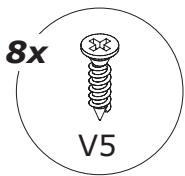
2



3

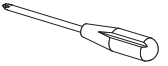


4

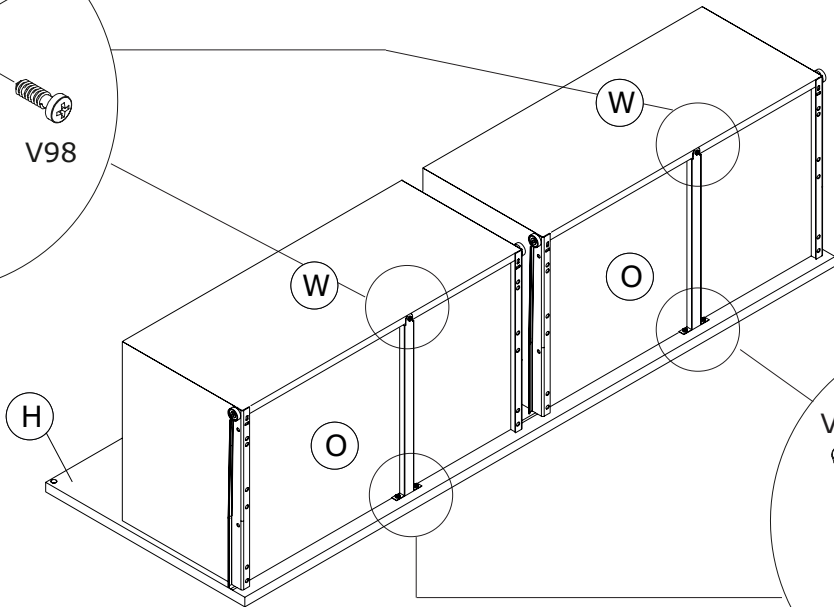
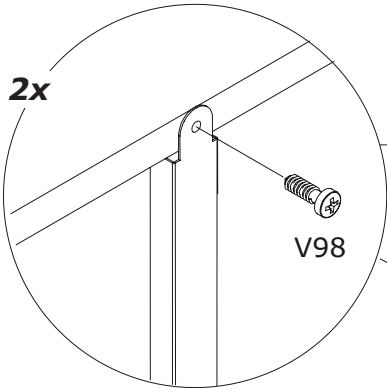


5

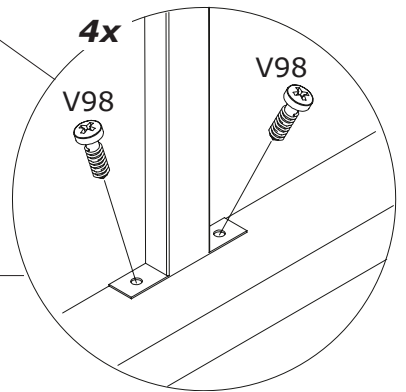
6x



2x

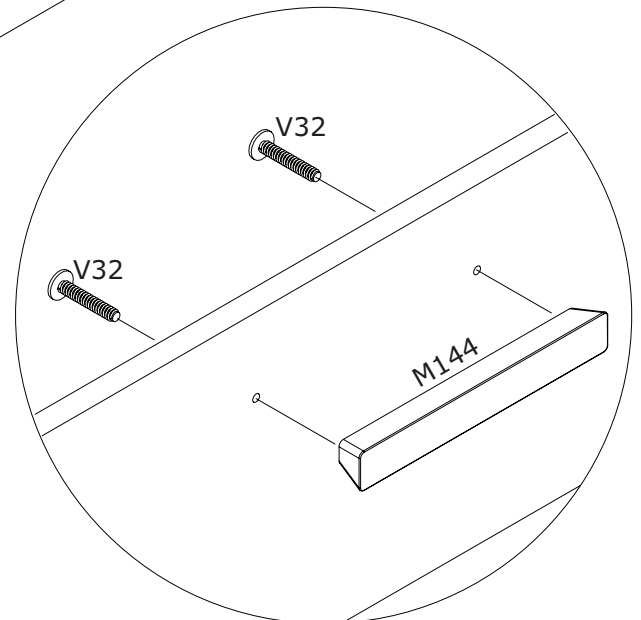
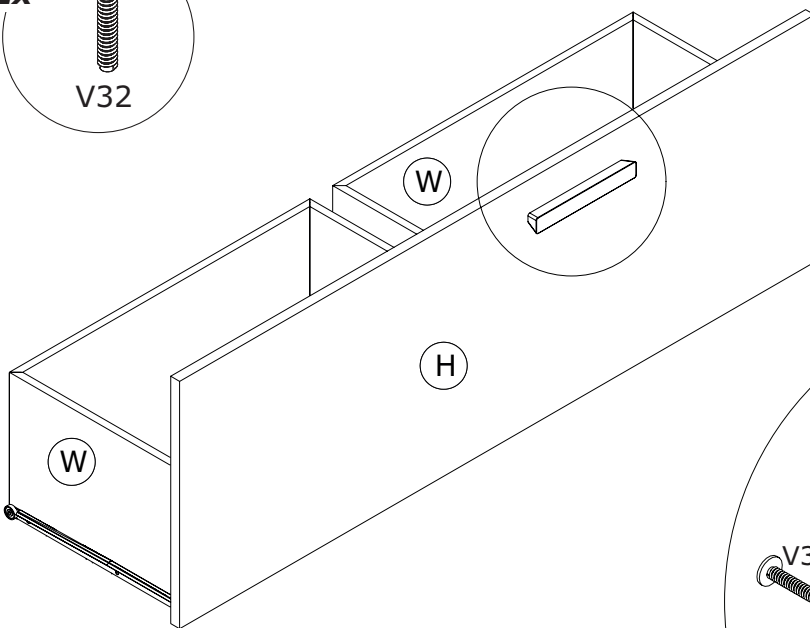
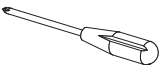
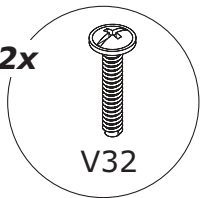


4x

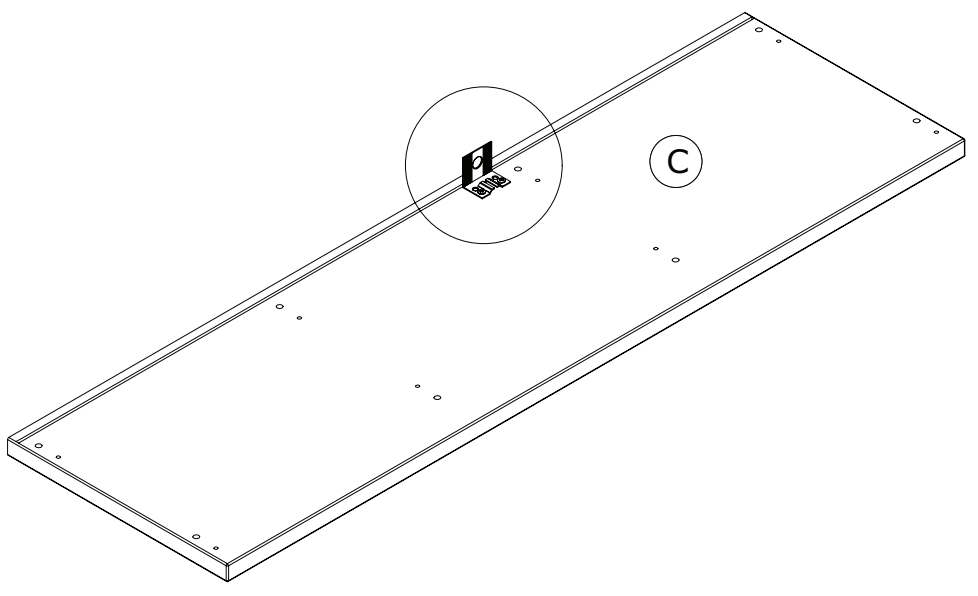
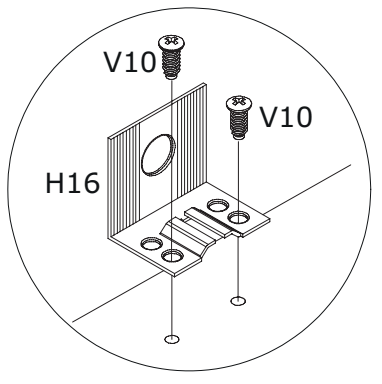
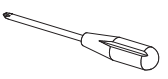


6

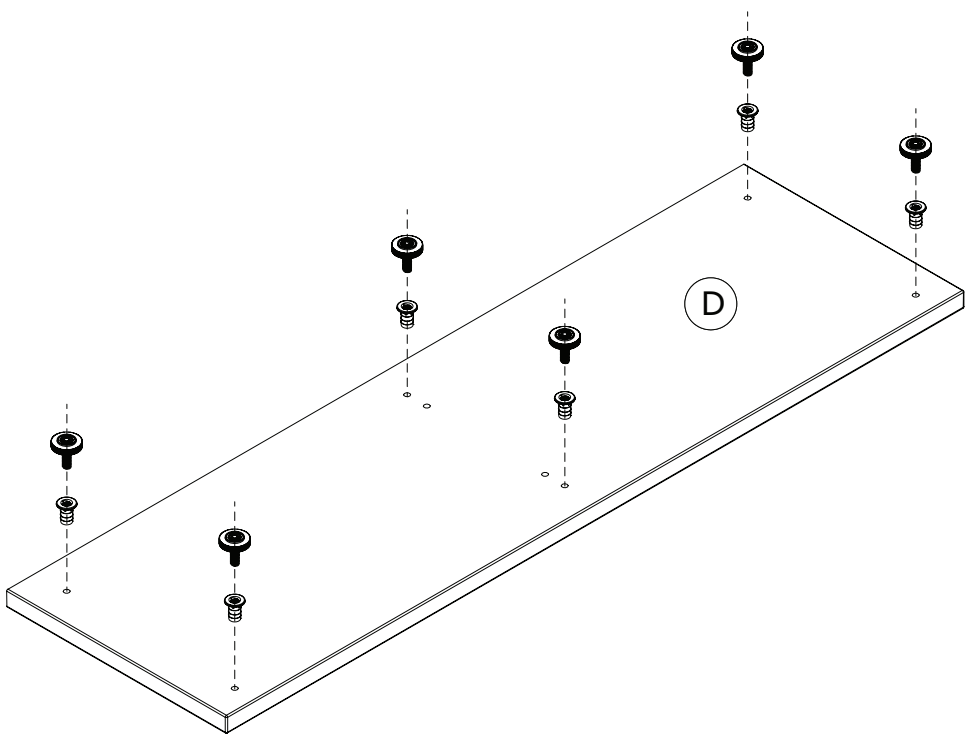
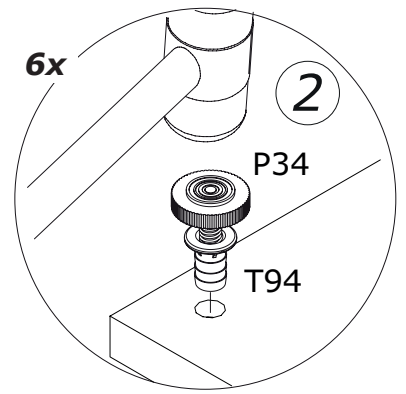
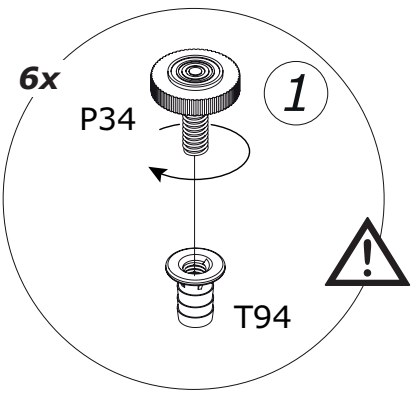
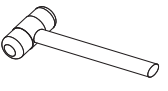
2x

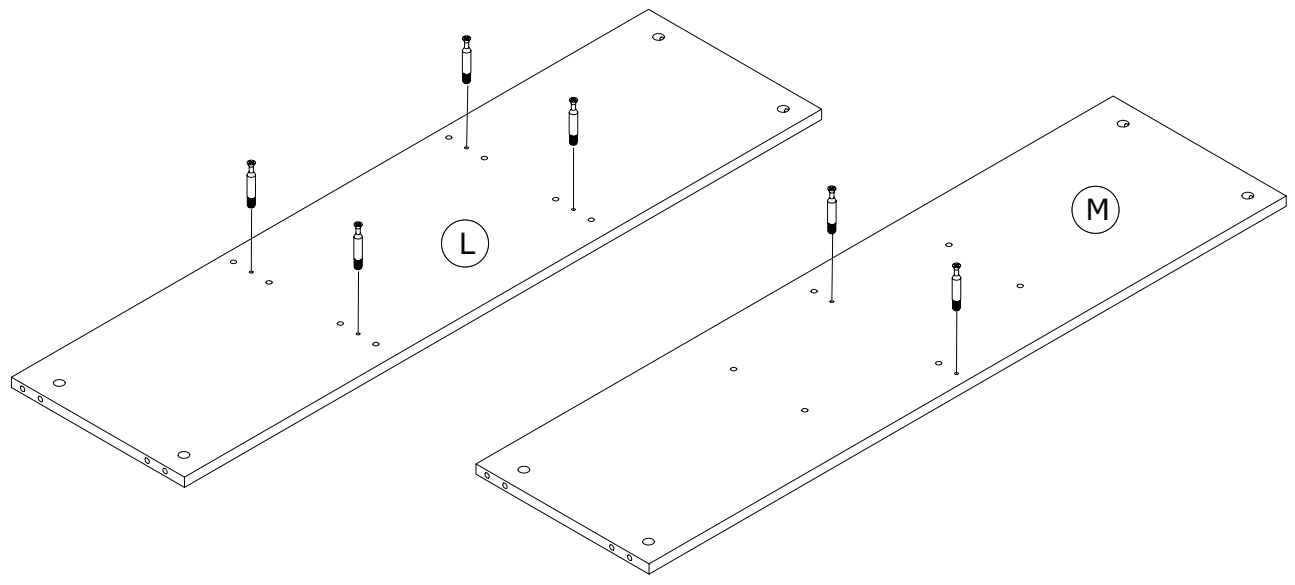
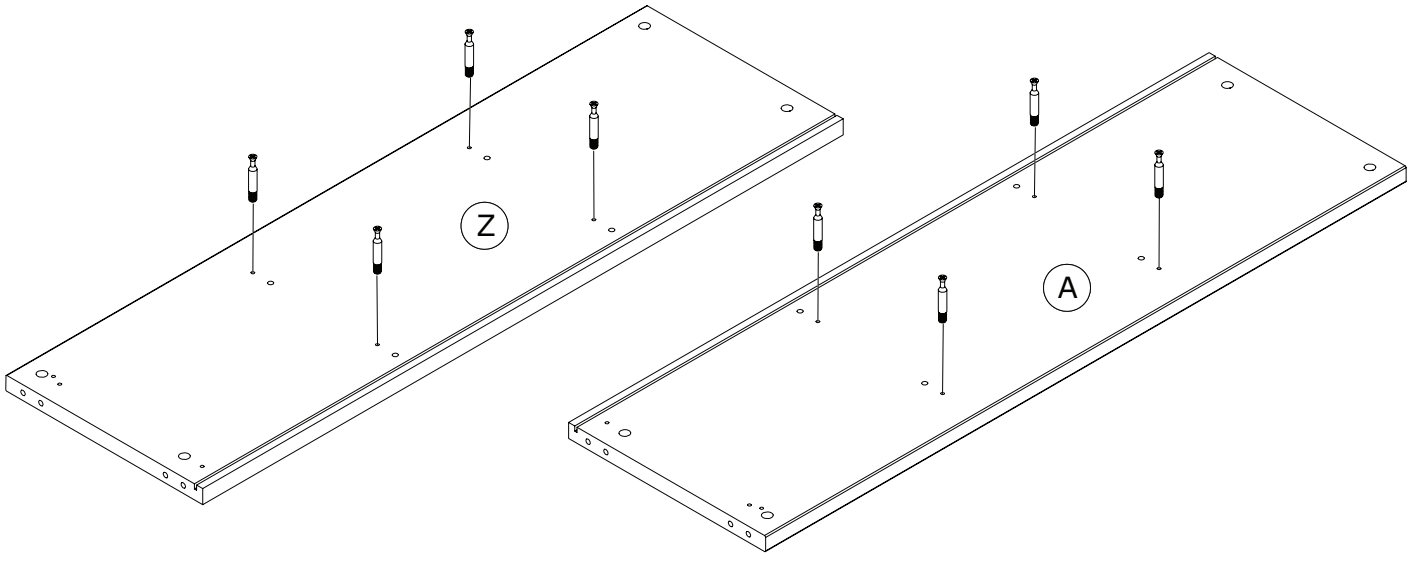
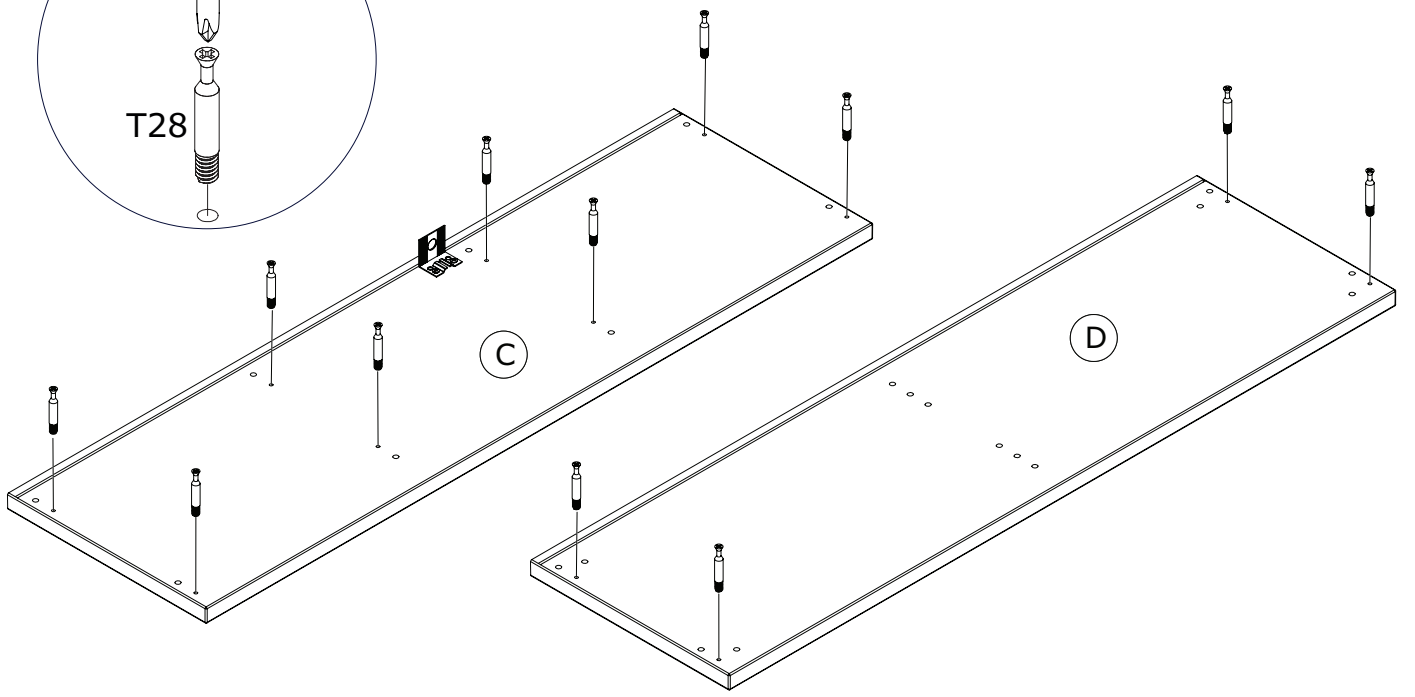
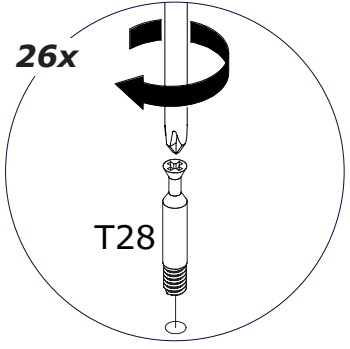
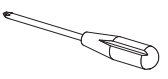


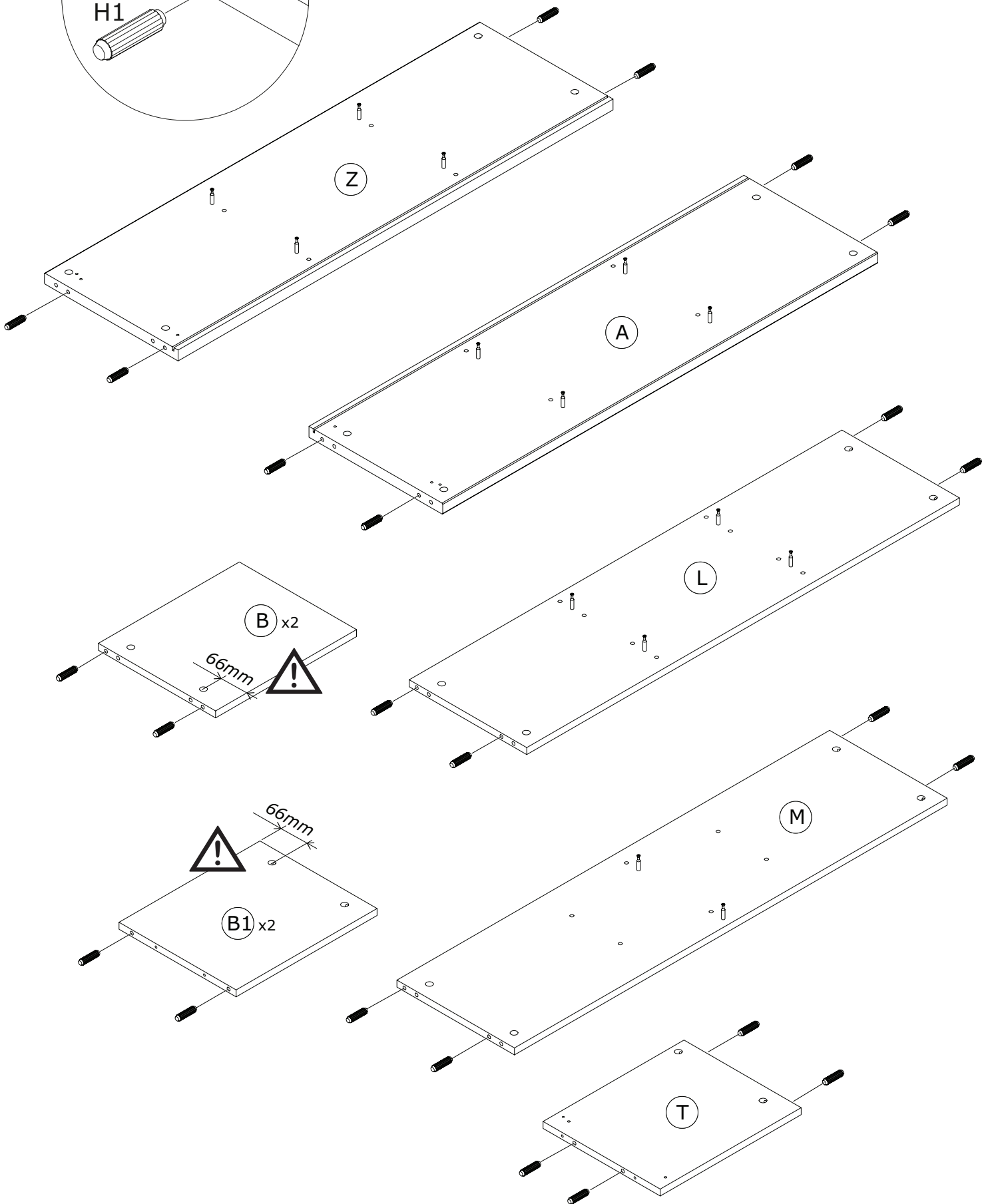
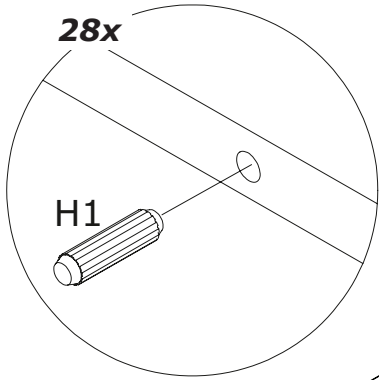
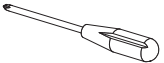
7



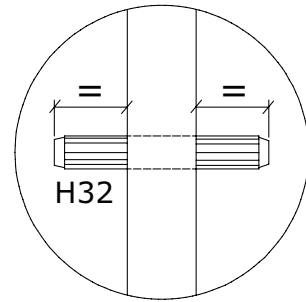
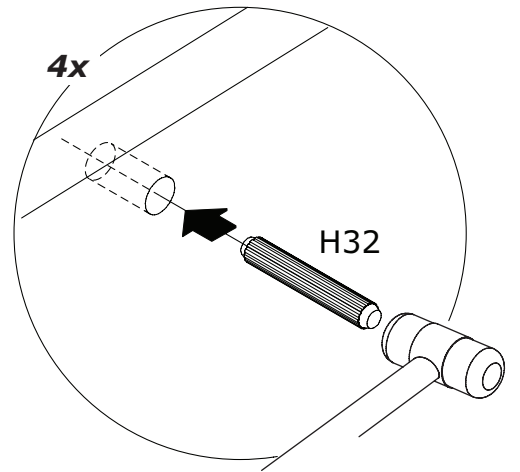
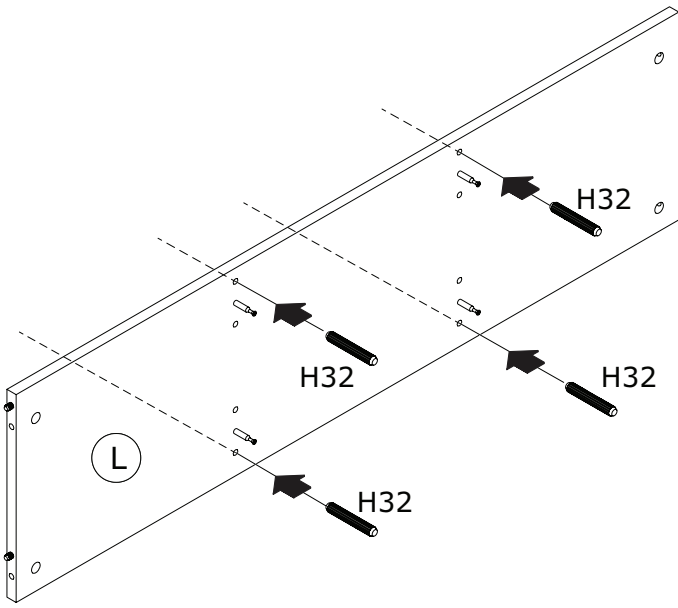
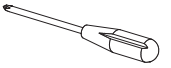
8



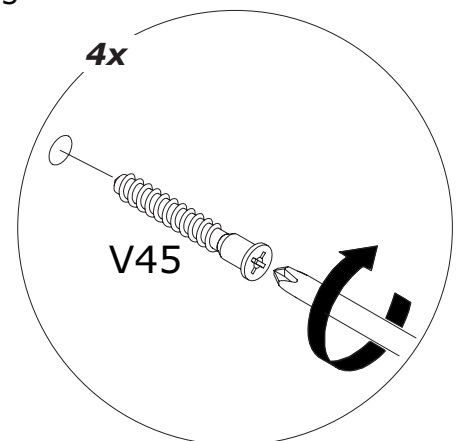
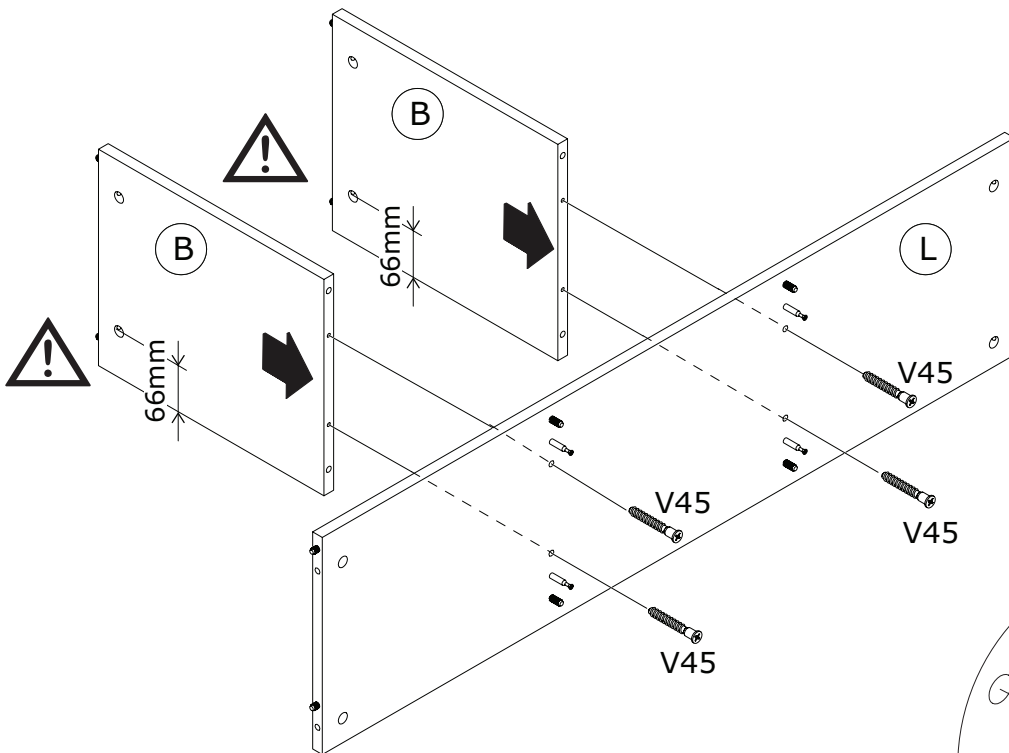
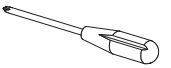




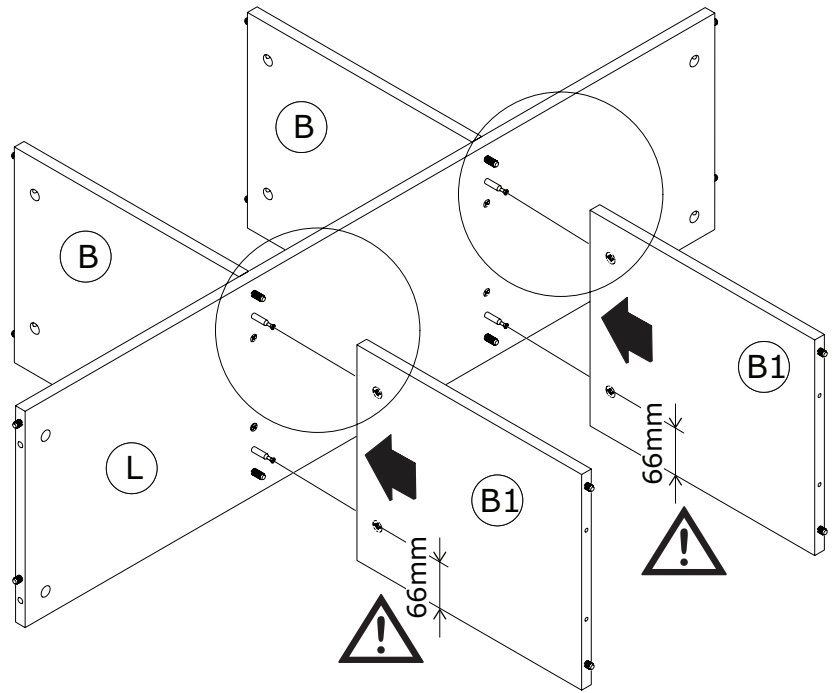
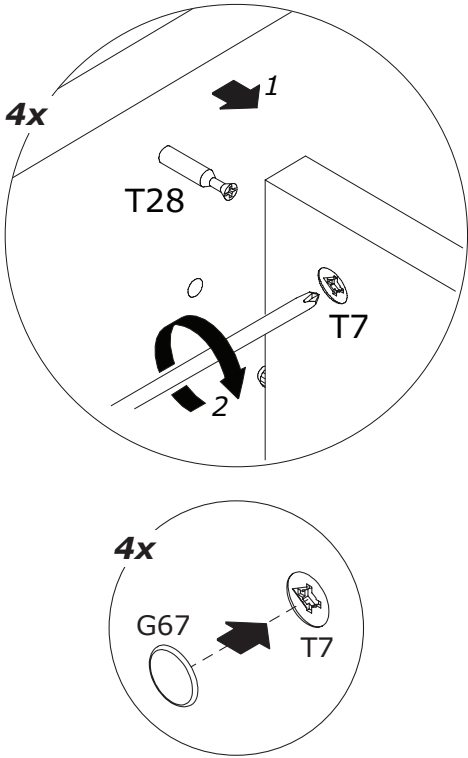
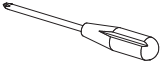
11



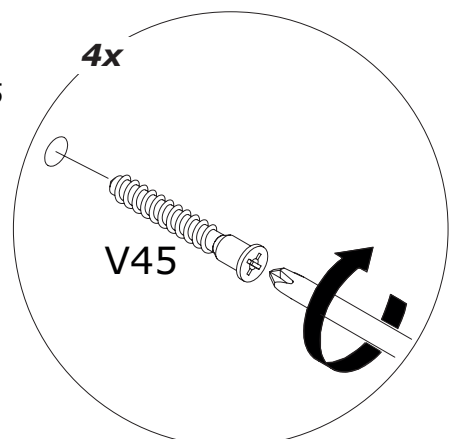
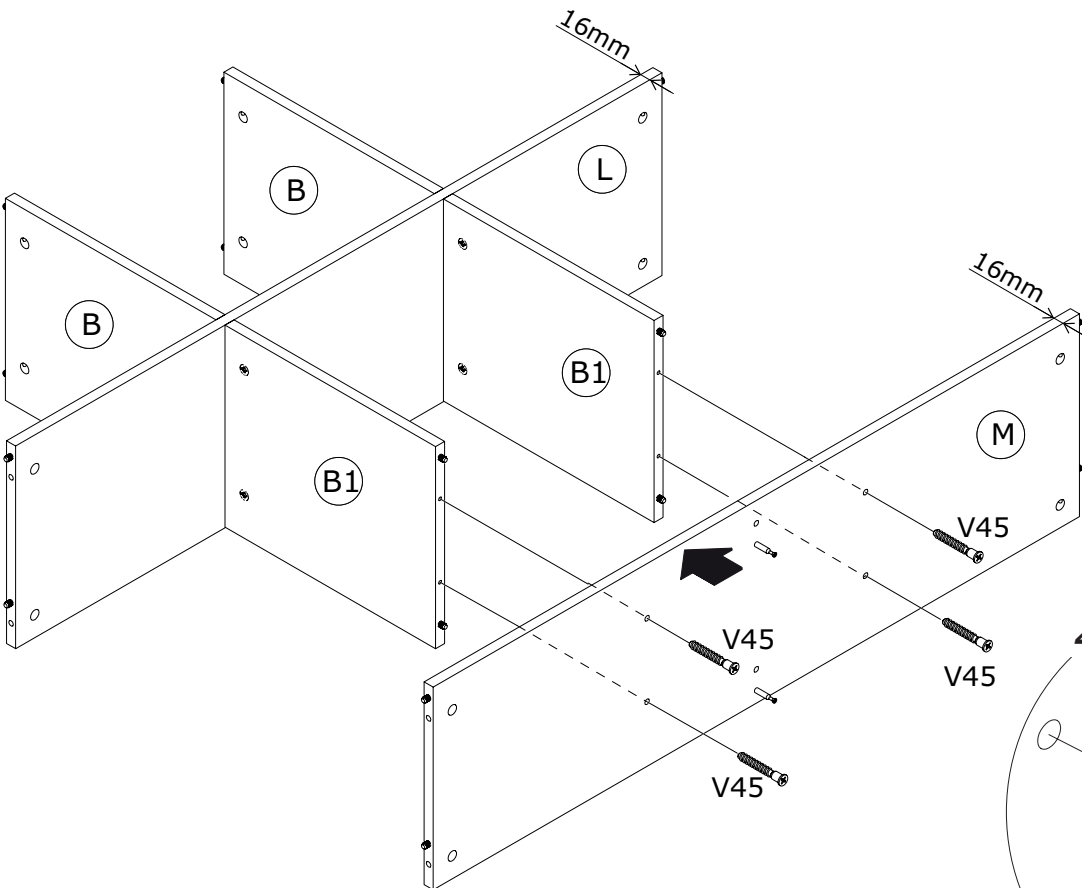
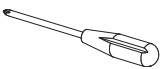
12

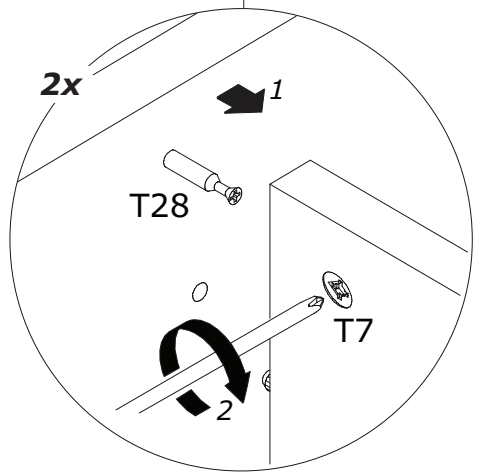
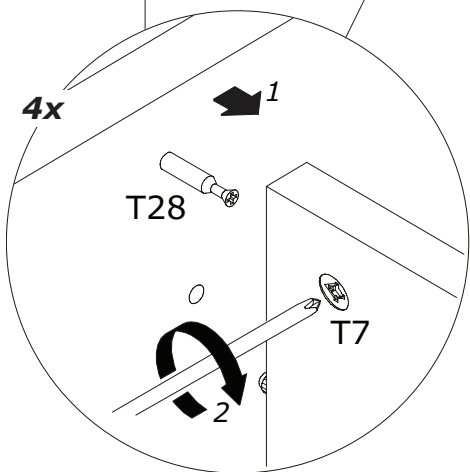
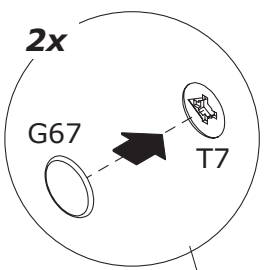
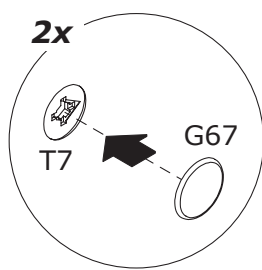
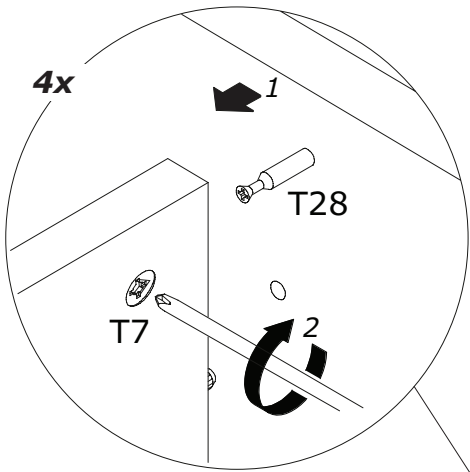
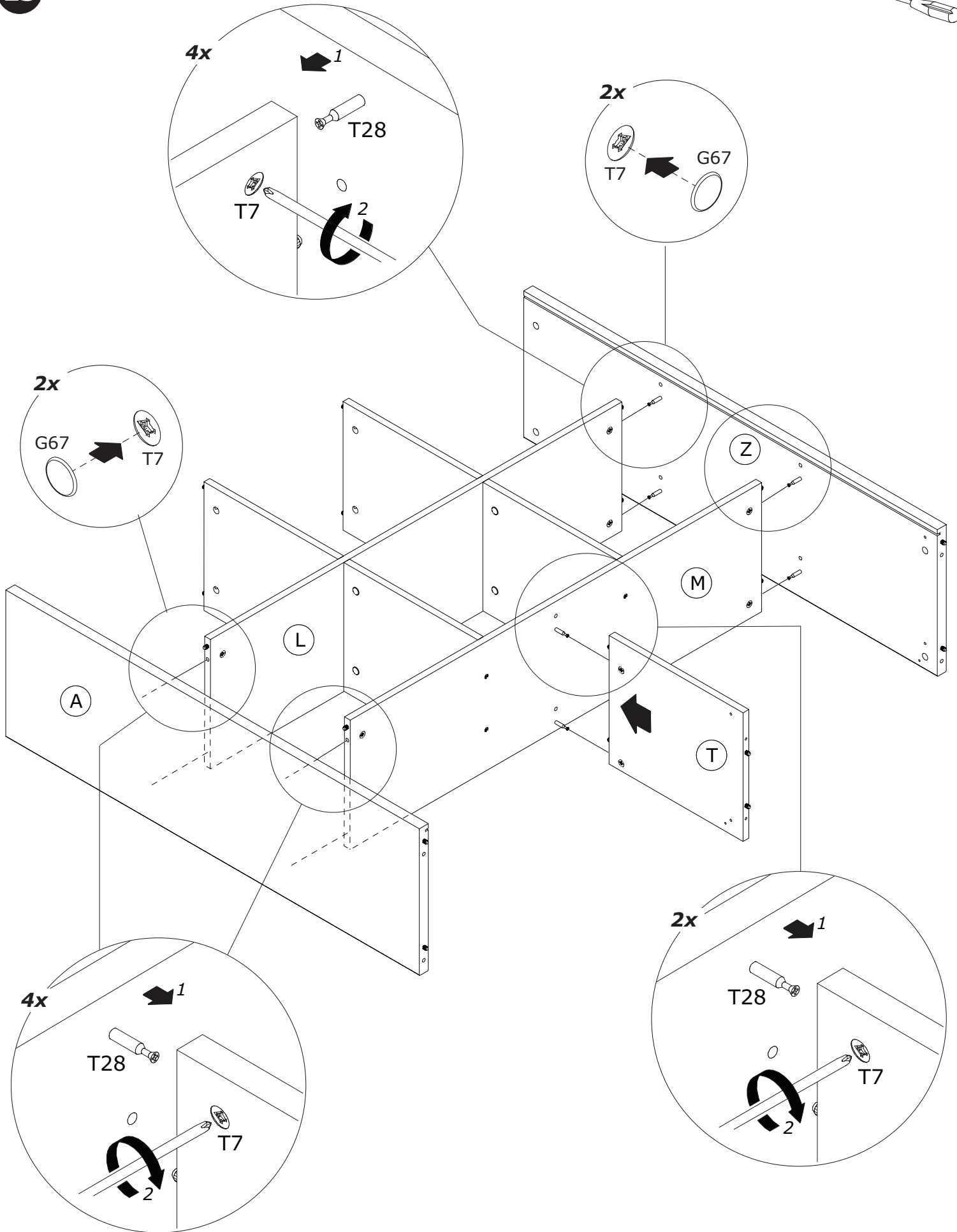
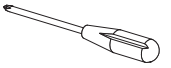


13

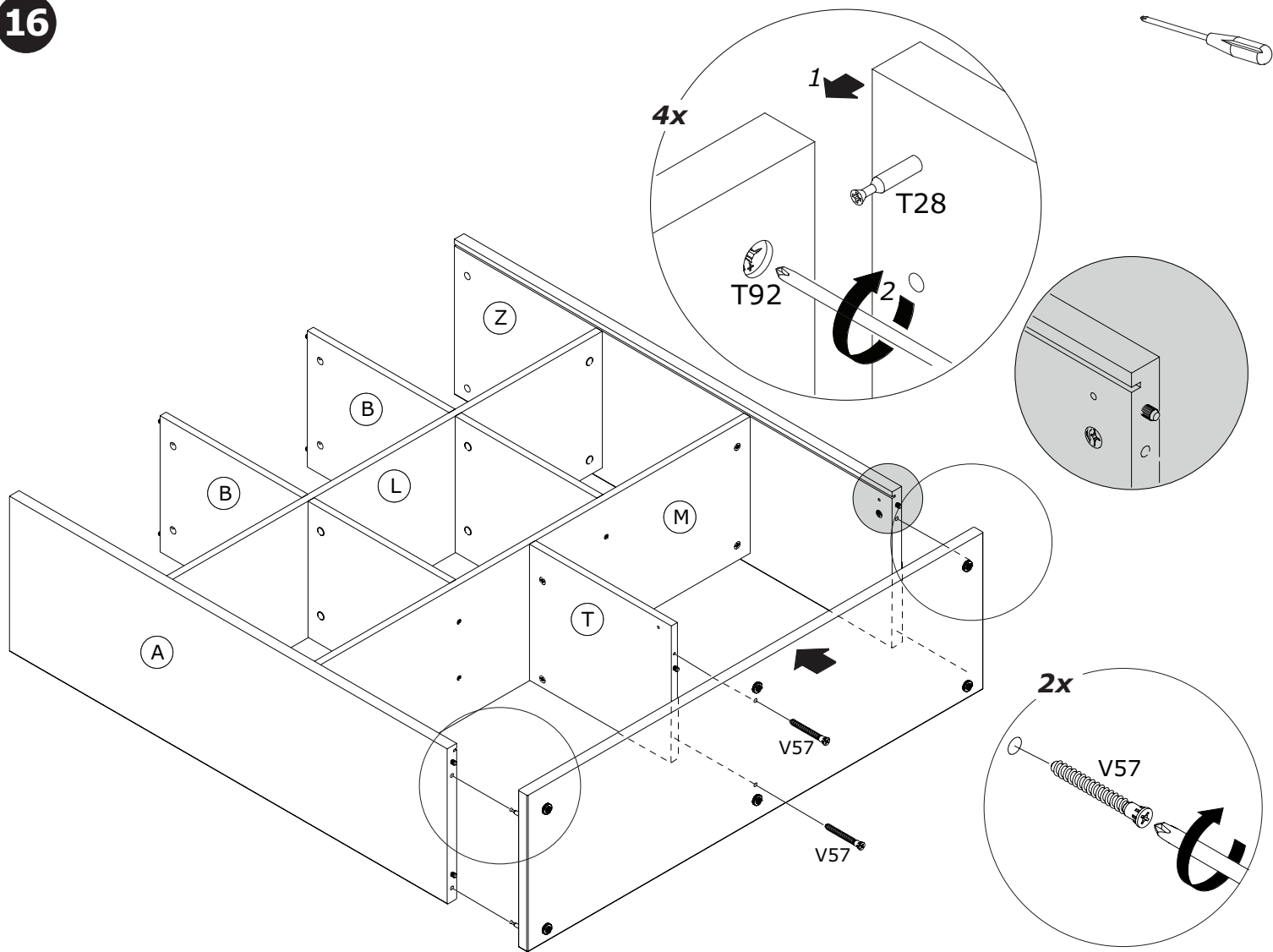


14

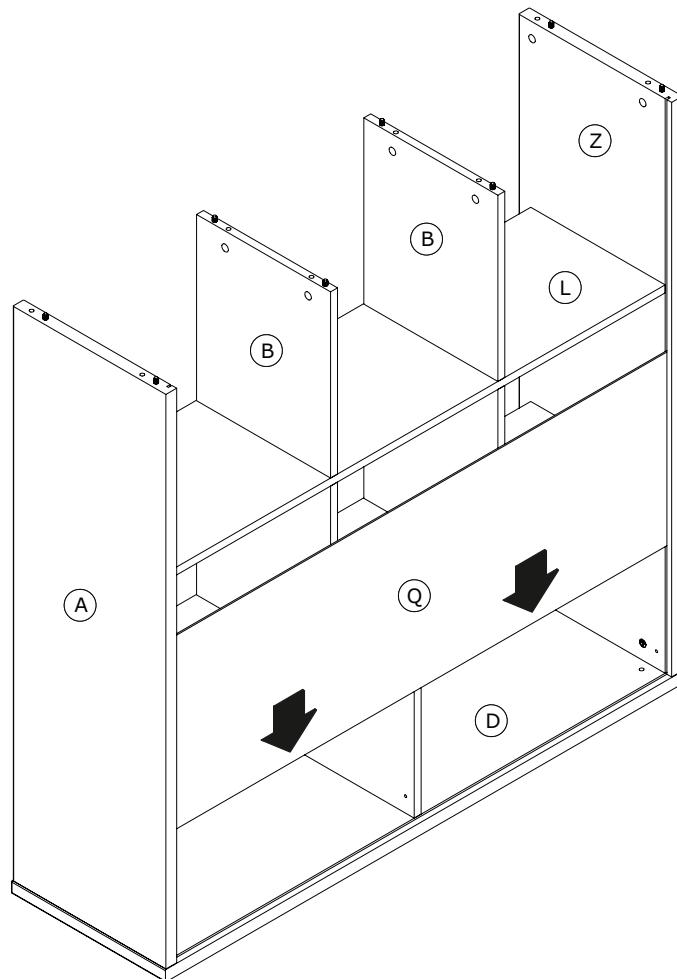




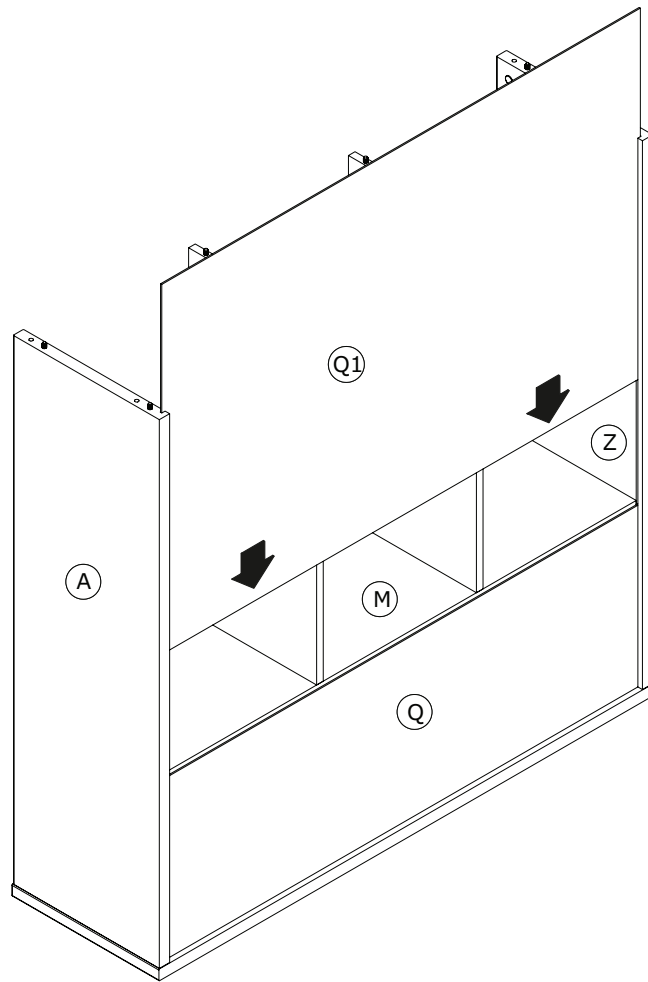
16



17



18



19

