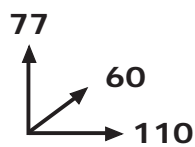
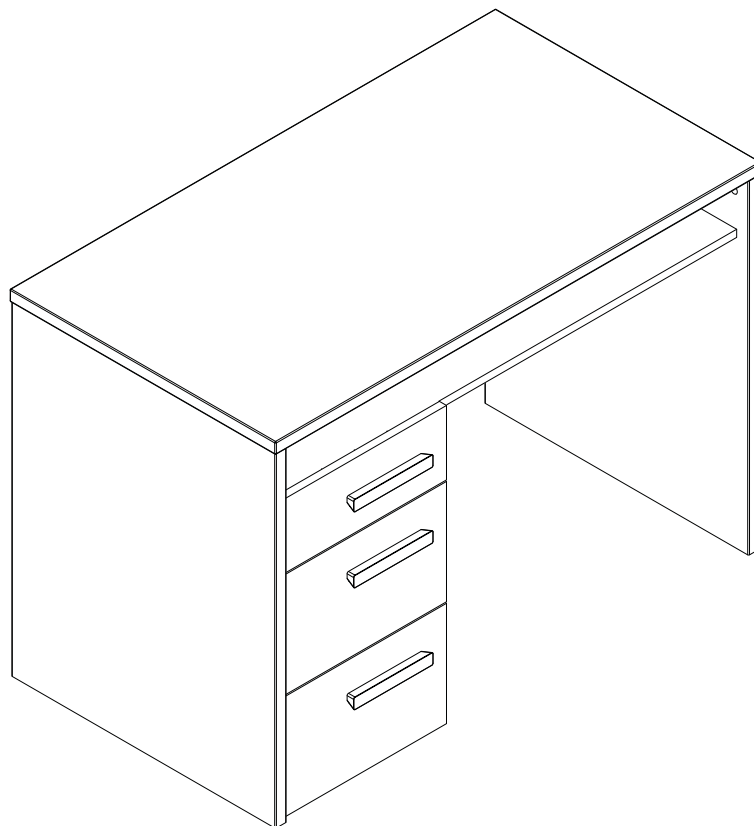
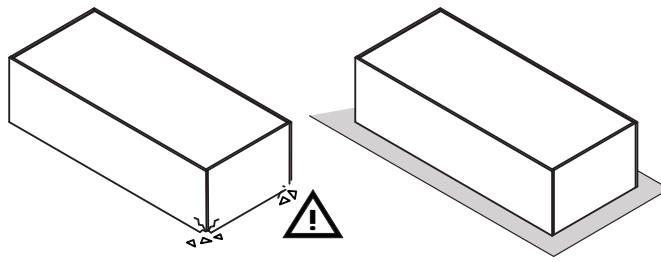
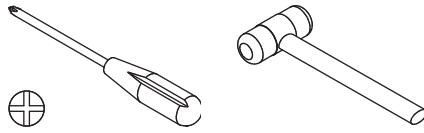
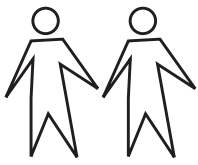


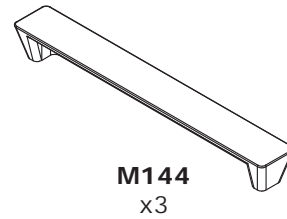
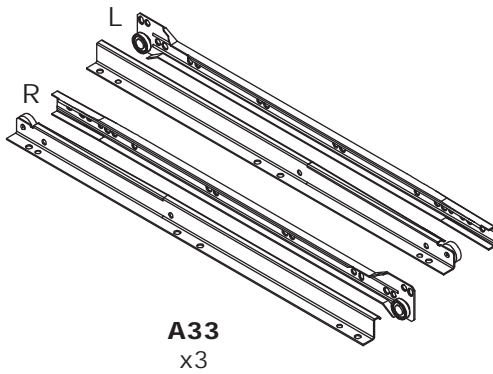
# SR2655K56104



QF4450



**BU3624**



**BU3603**



**V32**  
x6



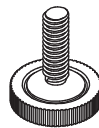
**V5**  
x18



**H14**  
x1



**V13**  
x12



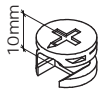
**P34**  
x6



**T94**  
x6



**T28**  
x23



**T98**  
x6



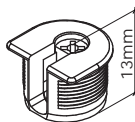
**G128**  
x6



**H2**  
x6



**H113**  
x6



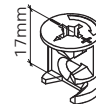
**T116**  
x6



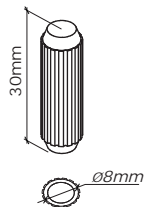
**T69**  
x6



**T7**  
x11



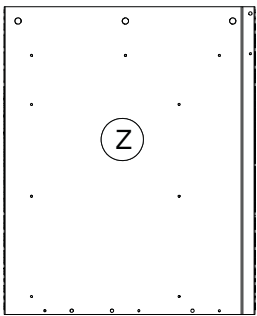
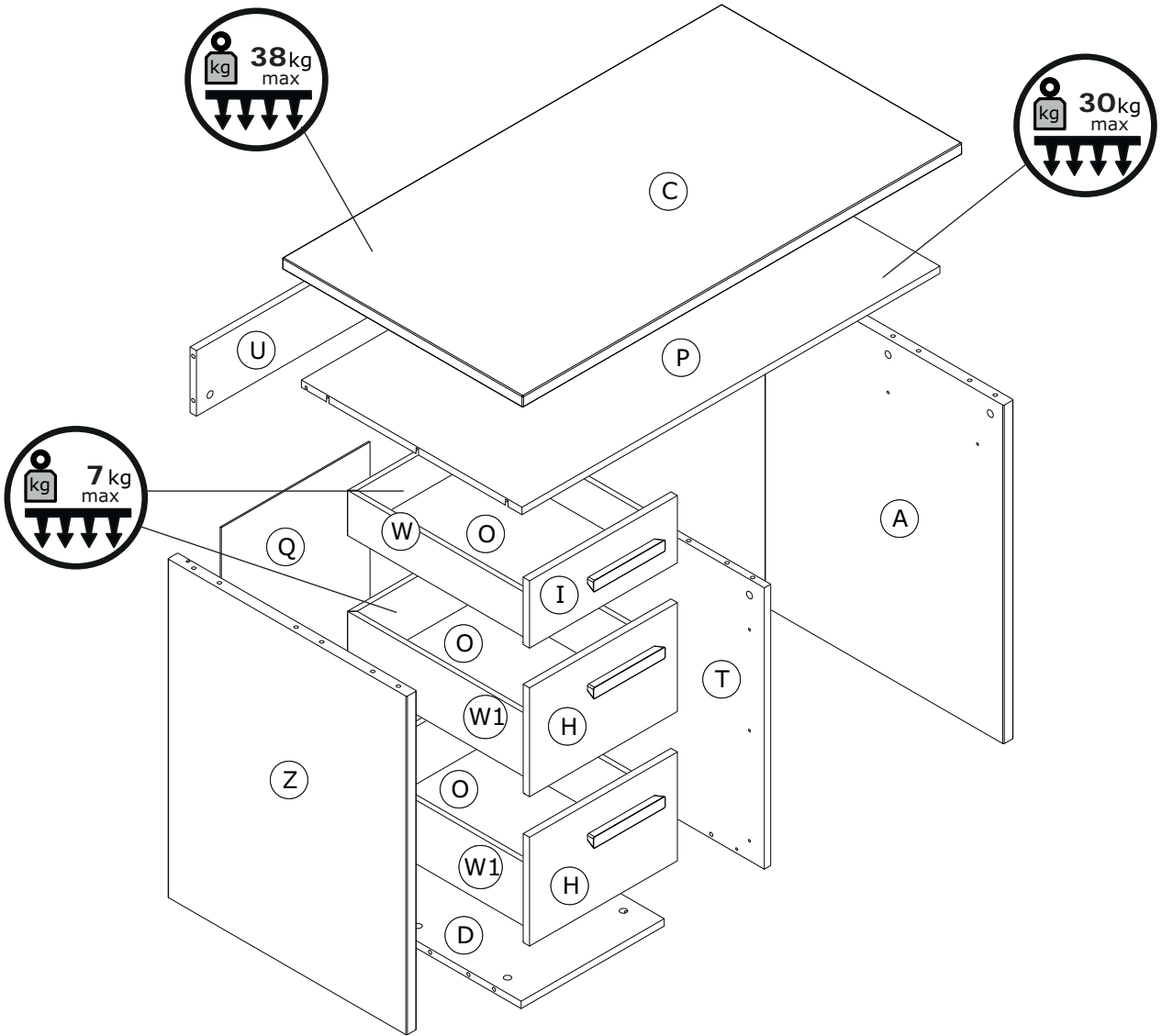
**T92**  
x6



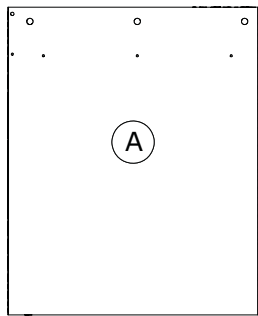
**H1**  
x17



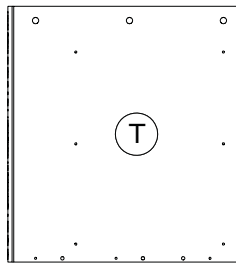
**G67**  
x6



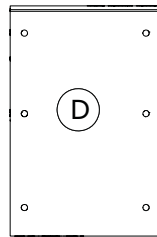
**FI7804**  
734x598x25mm



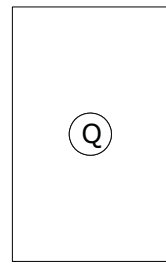
**FI7803**  
734x598x25mm



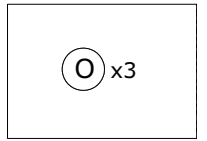
**TR1953**  
610x551x16mm



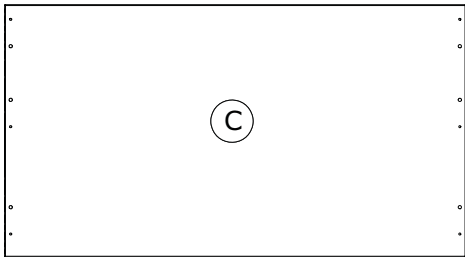
**BA1949**  
358x549x16mm



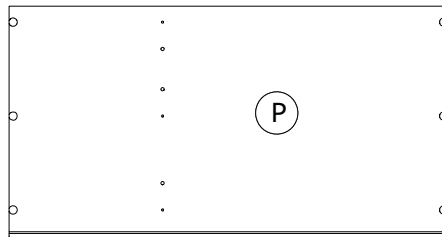
**SH2968**  
607x372x3mm



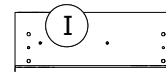
**SH2969**  
451x320x3mm



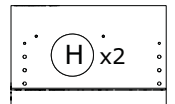
**CA3207**  
1100x602x25mm



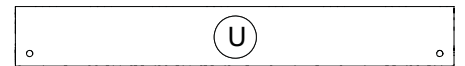
**PI6709**  
1046x552x16mm



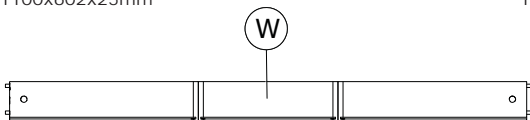
**CS2790**  
730x146x16mm



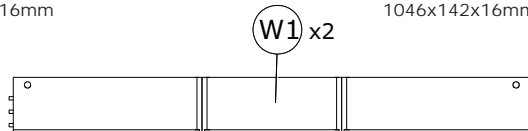
**CS2788**  
370x236x16mm



**FS2885**  
1046x142x16mm

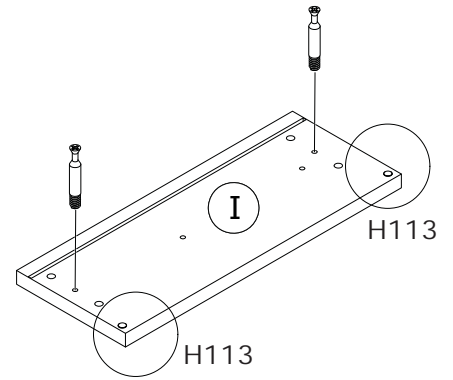
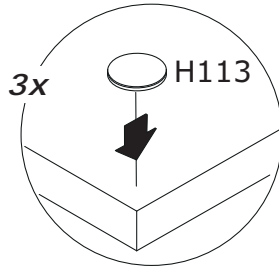
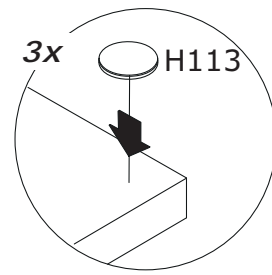
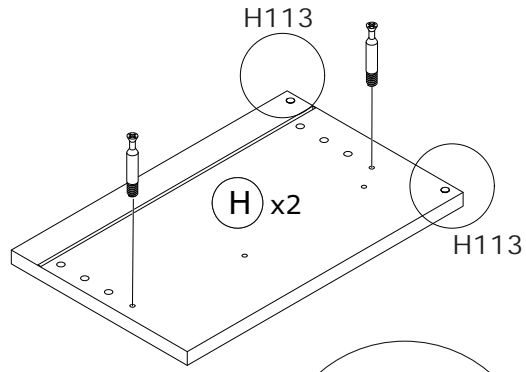
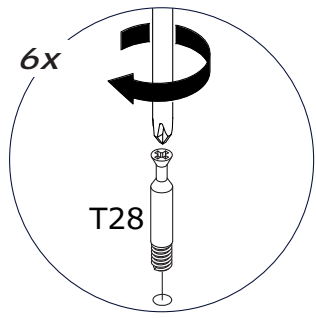


**OS0403**  
450x333x450mm H.98mm

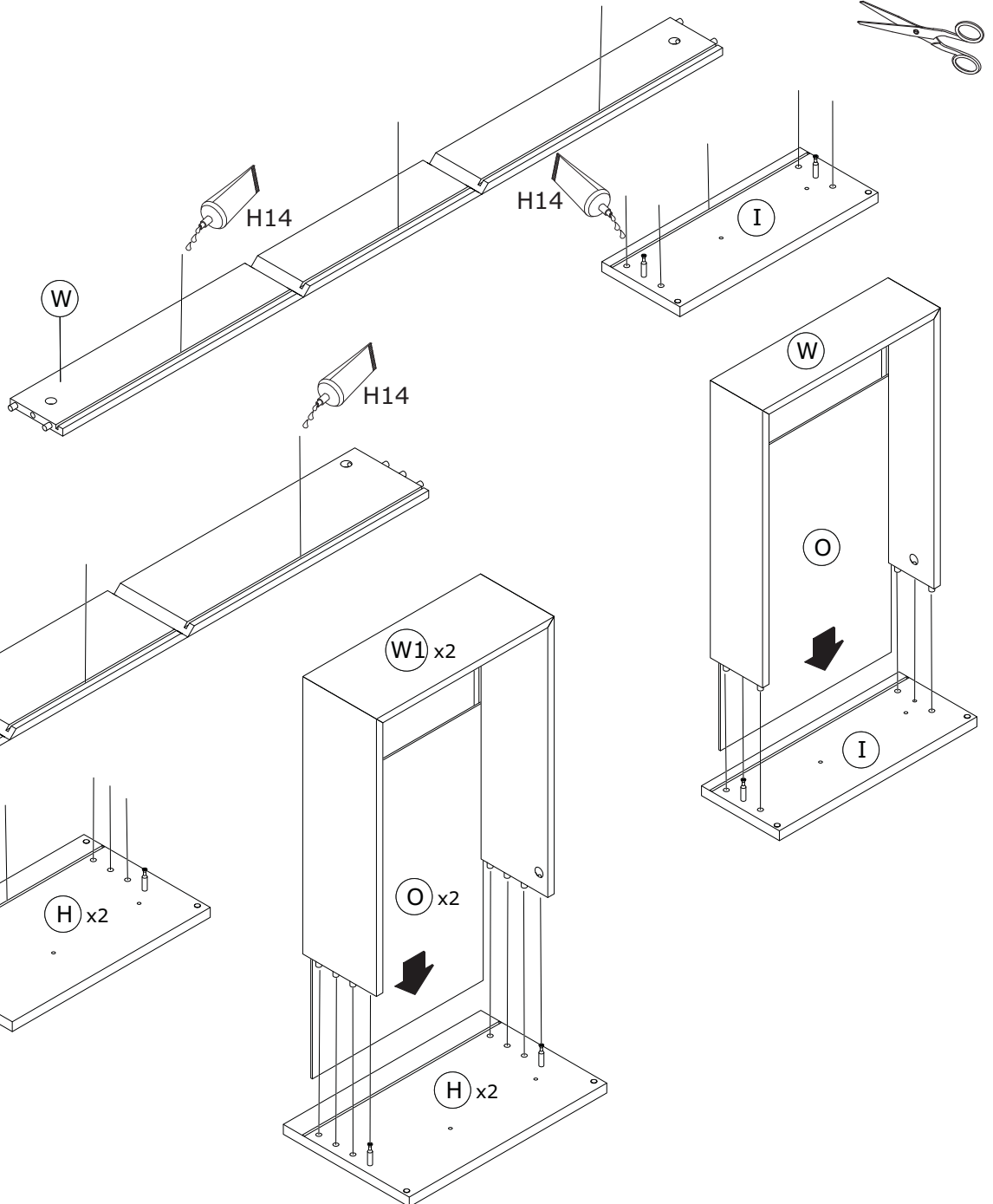
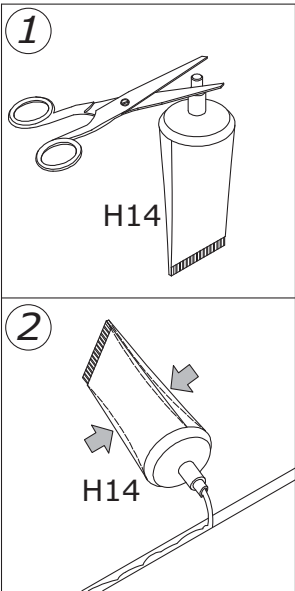


**OS0404**  
450x333x450mm H.138mm

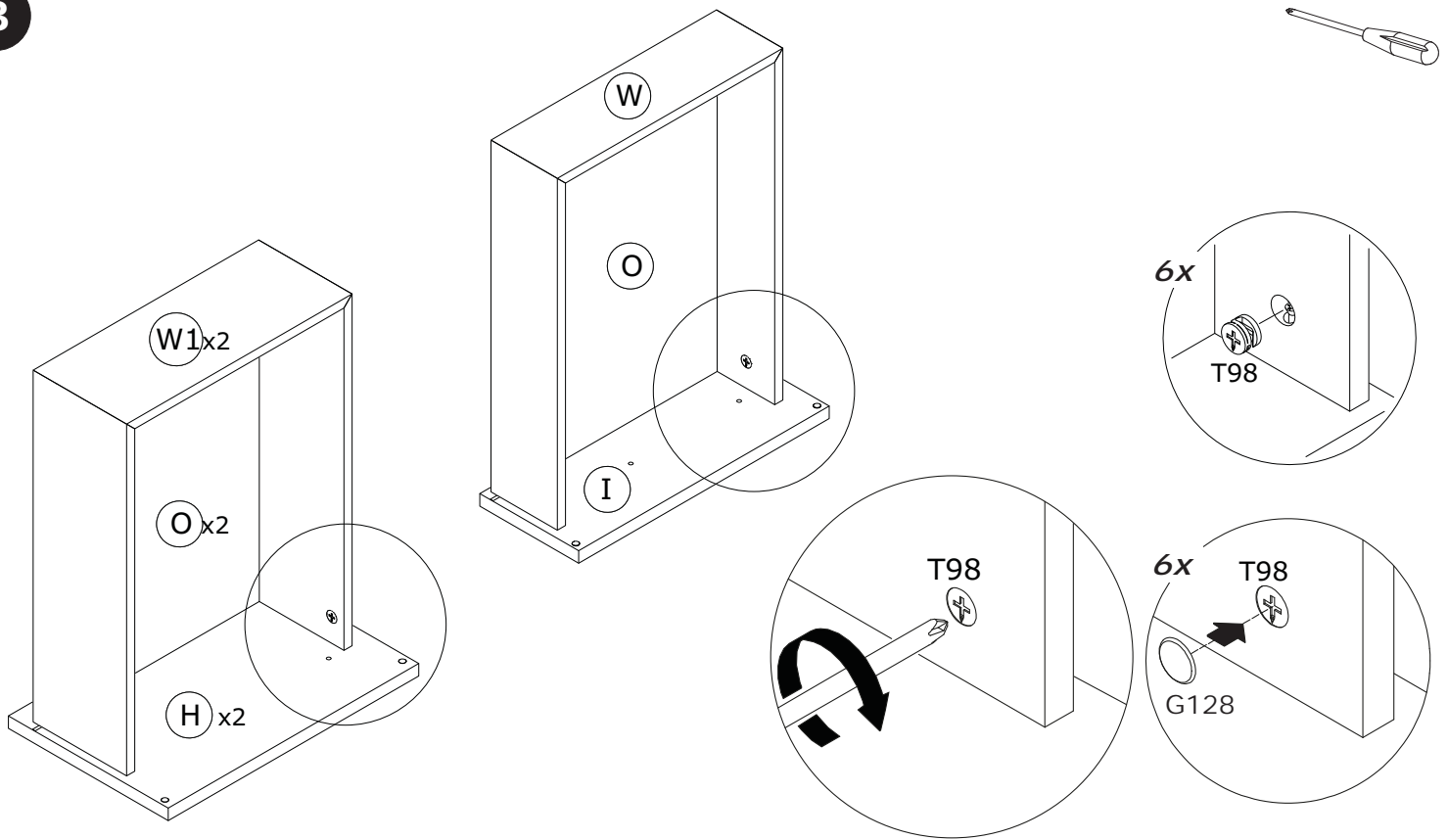
1



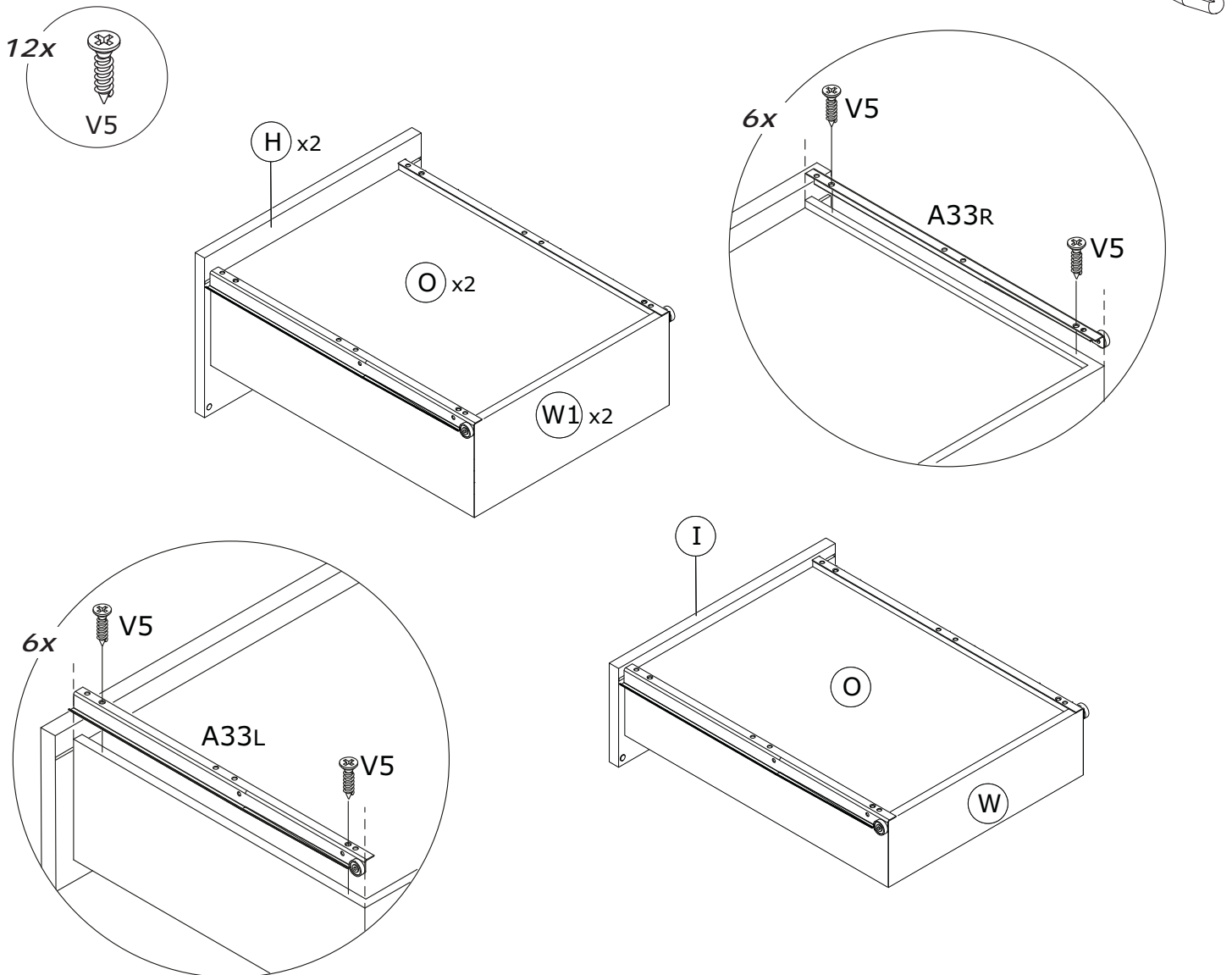
2



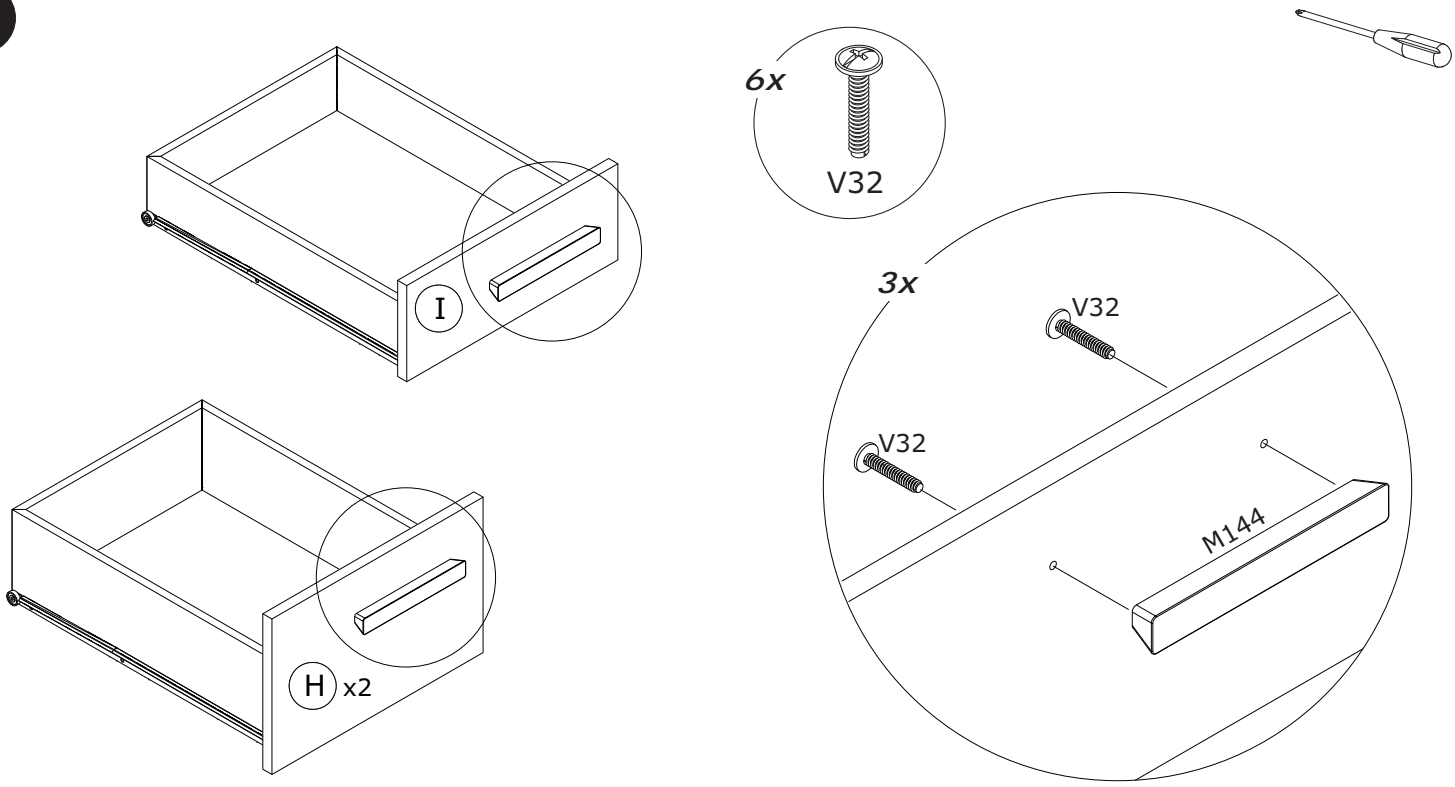
3



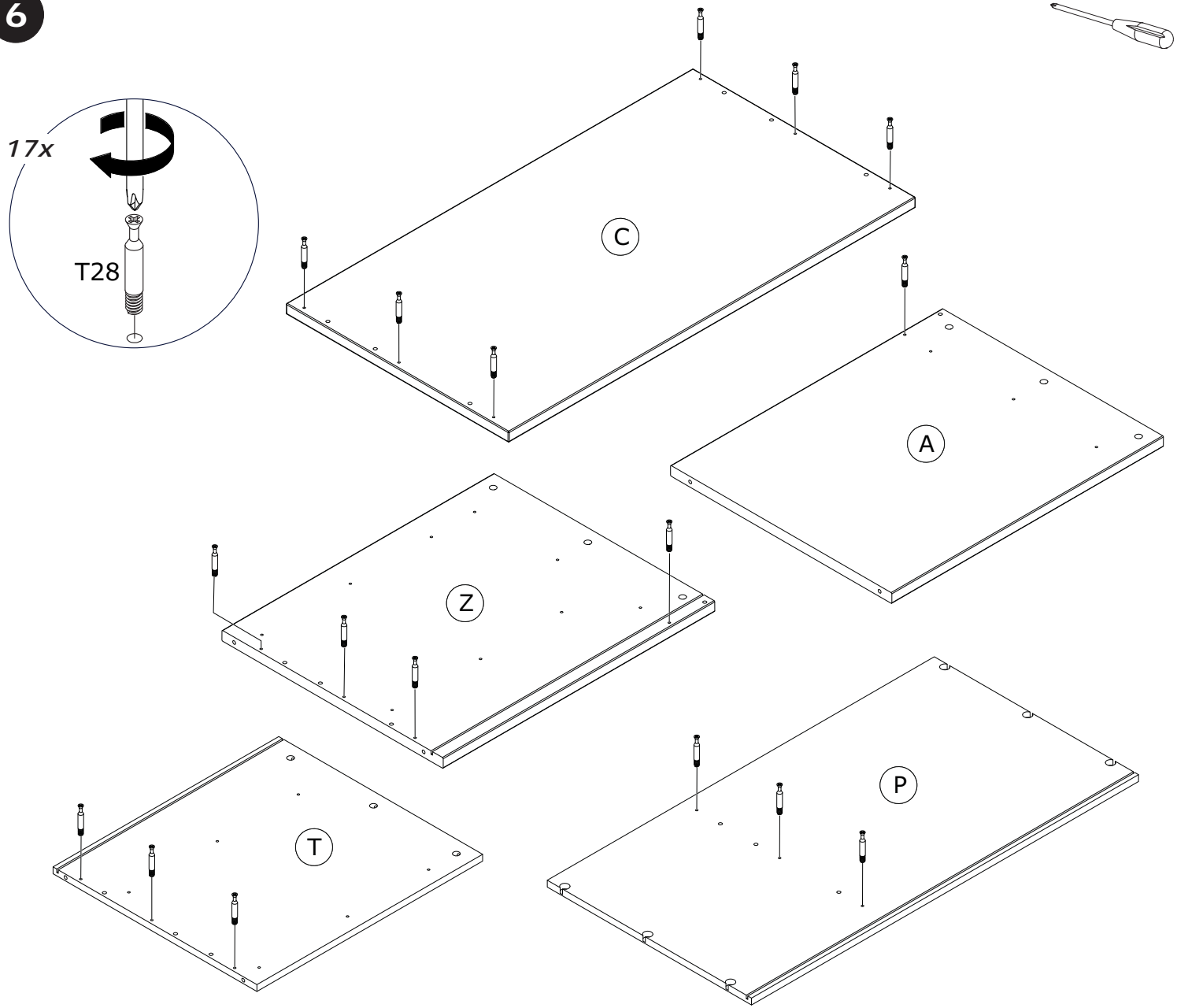
4



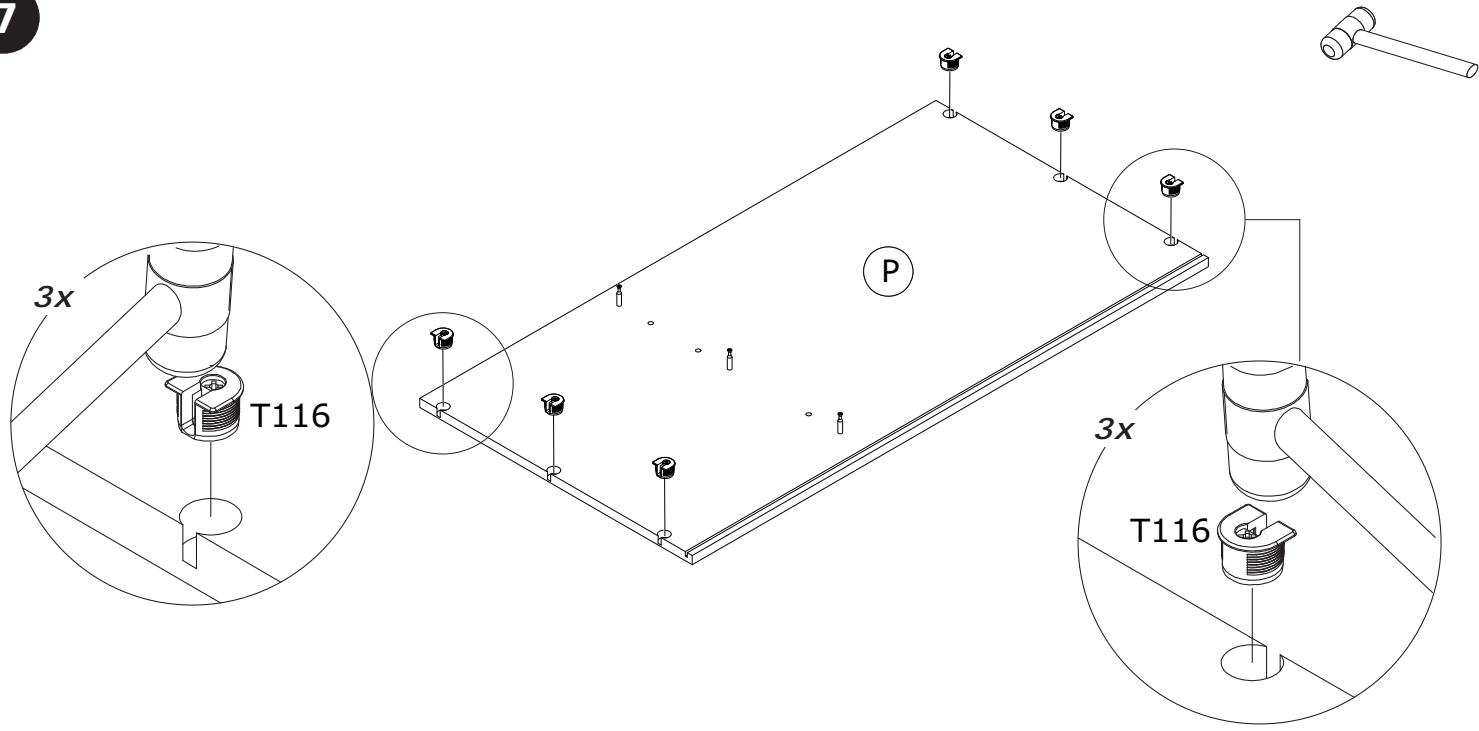
5



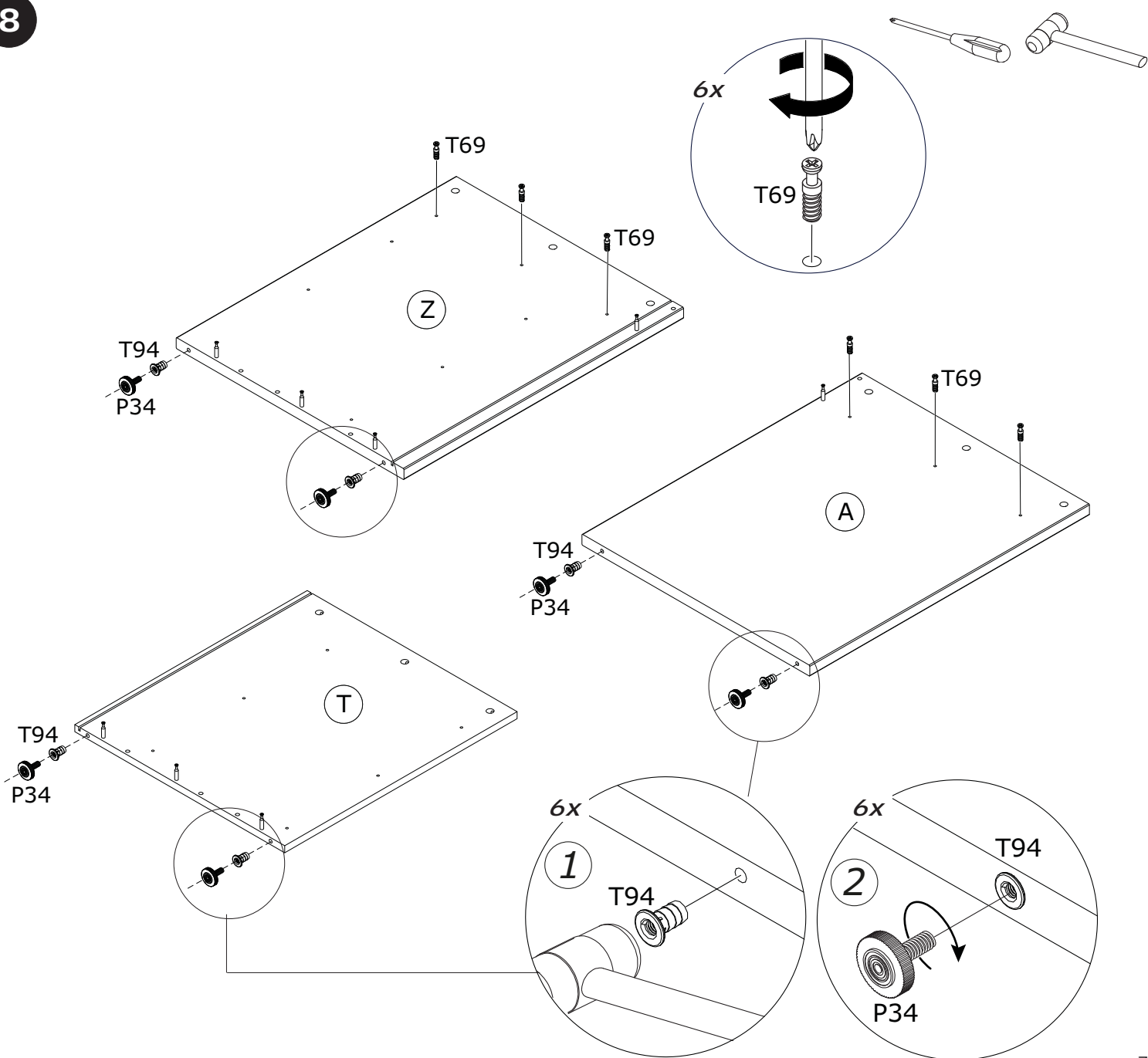
6



7

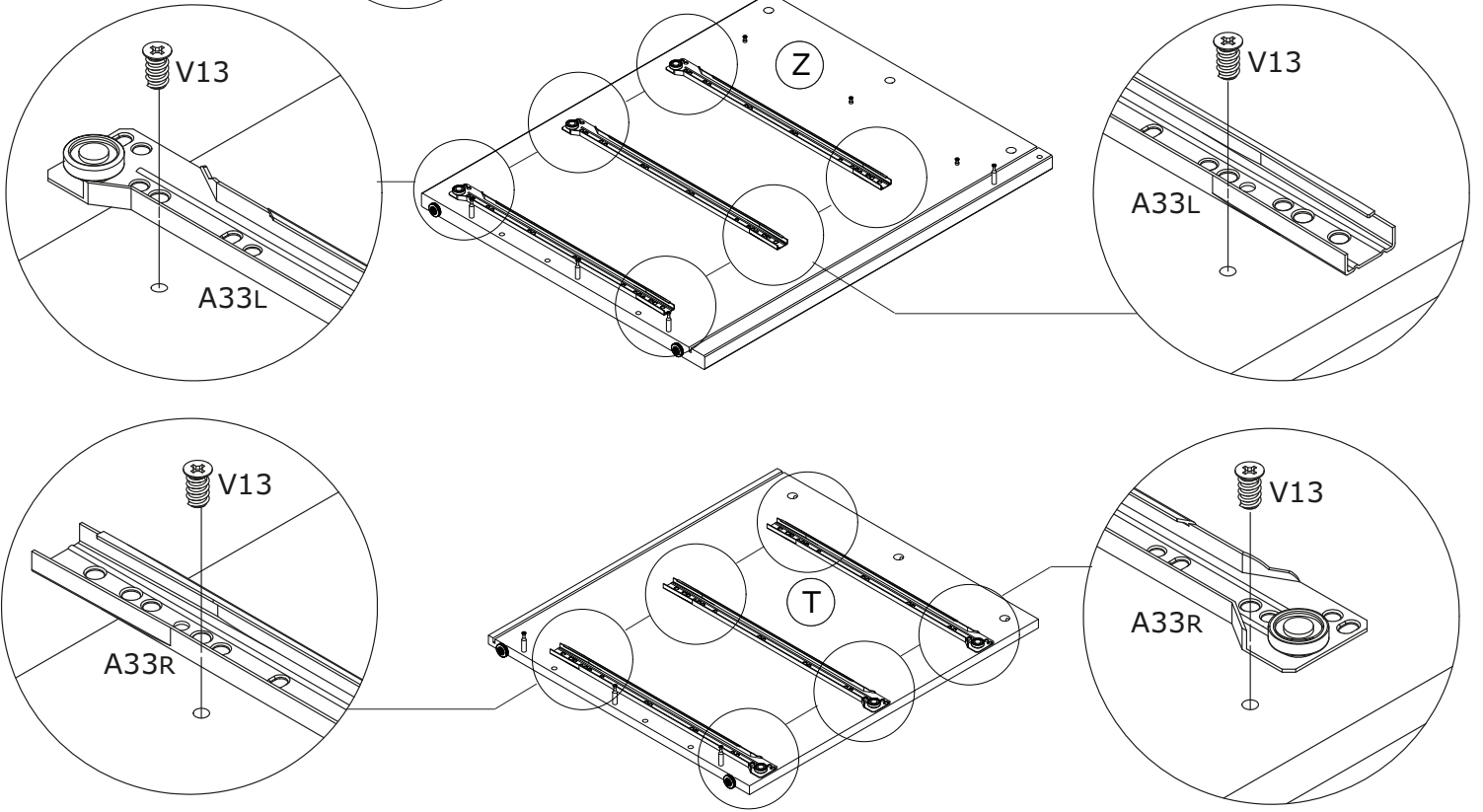
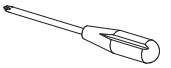


8

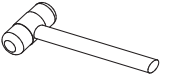


9

12x

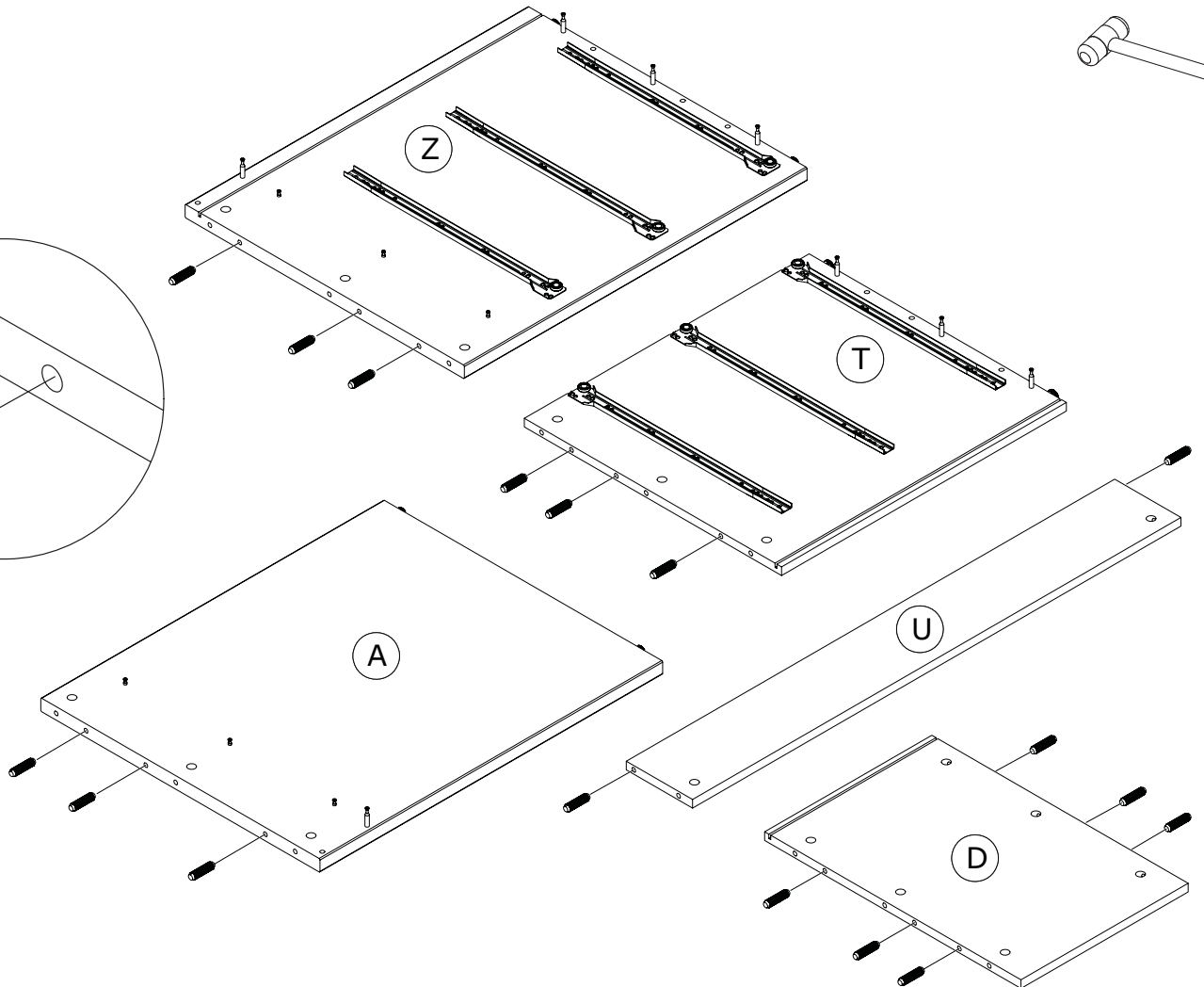
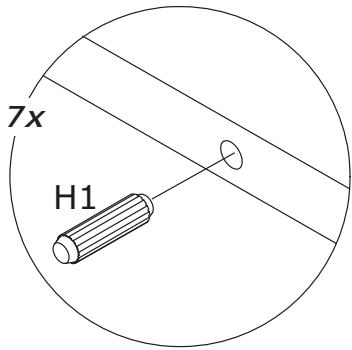


10

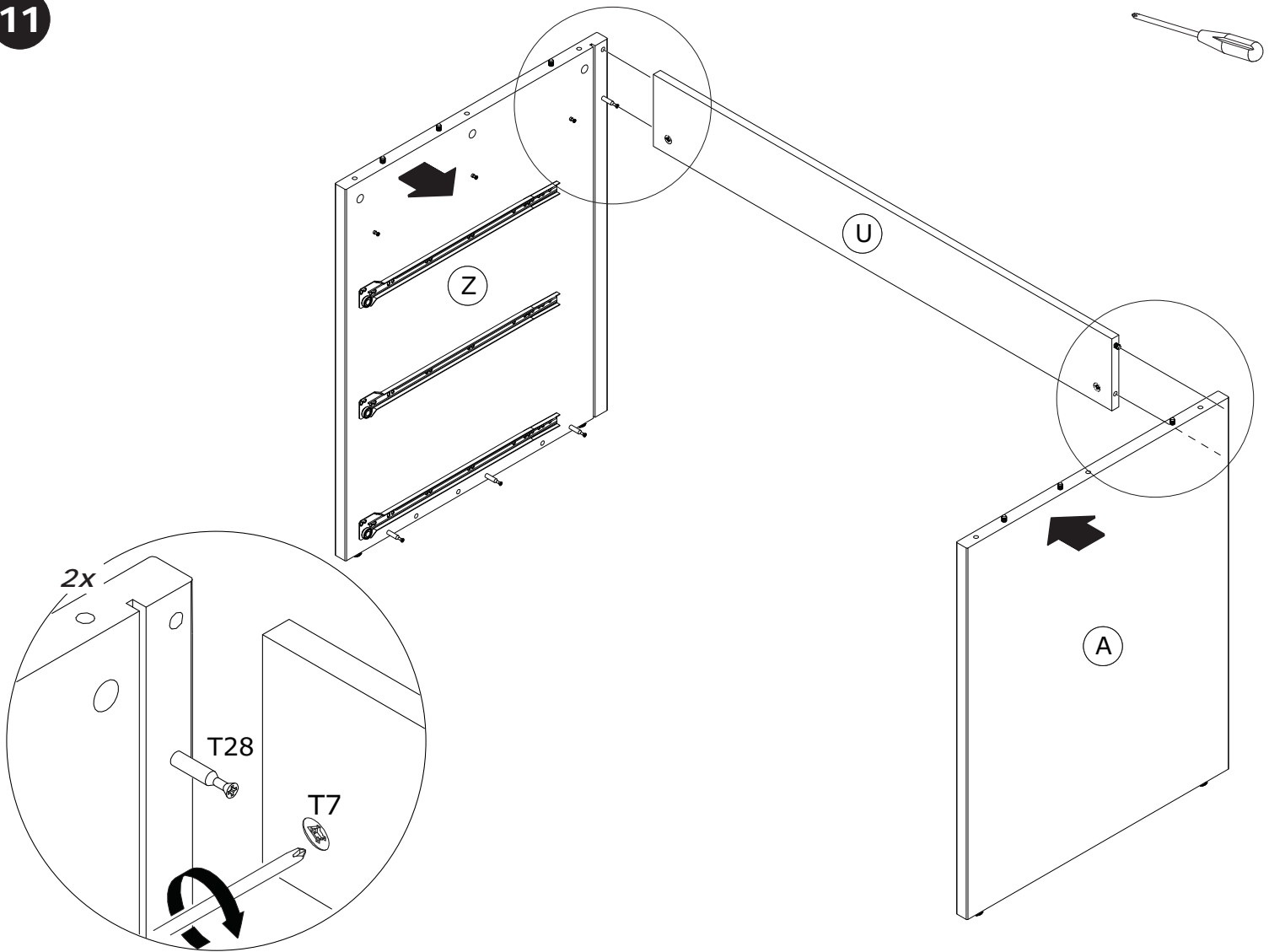


17x

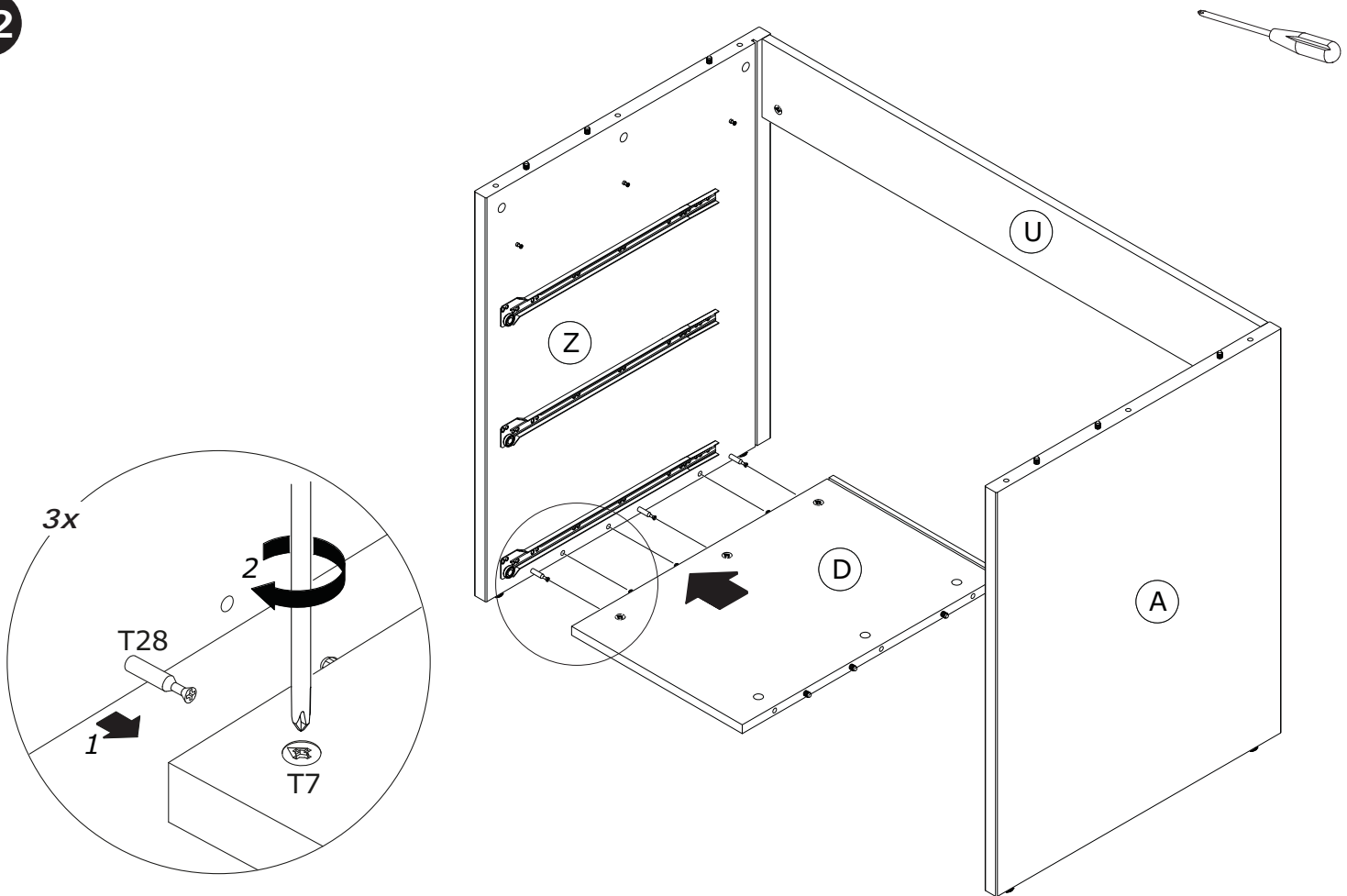
H1



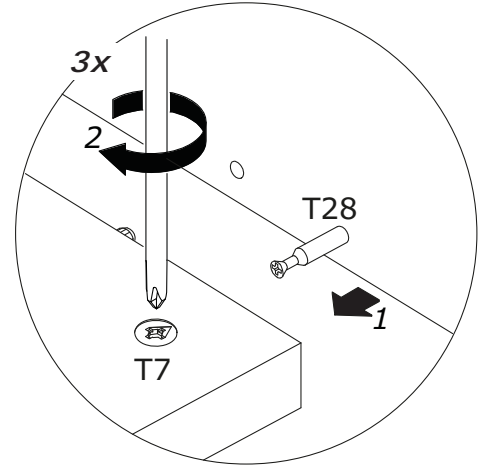
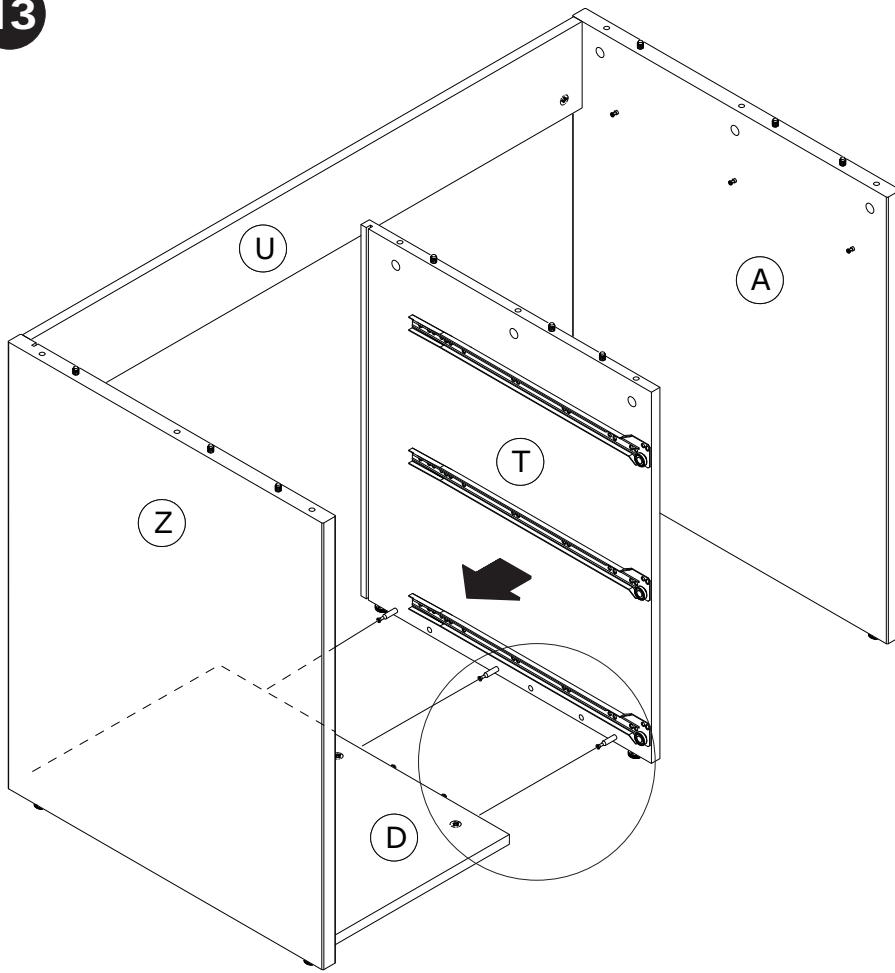
11



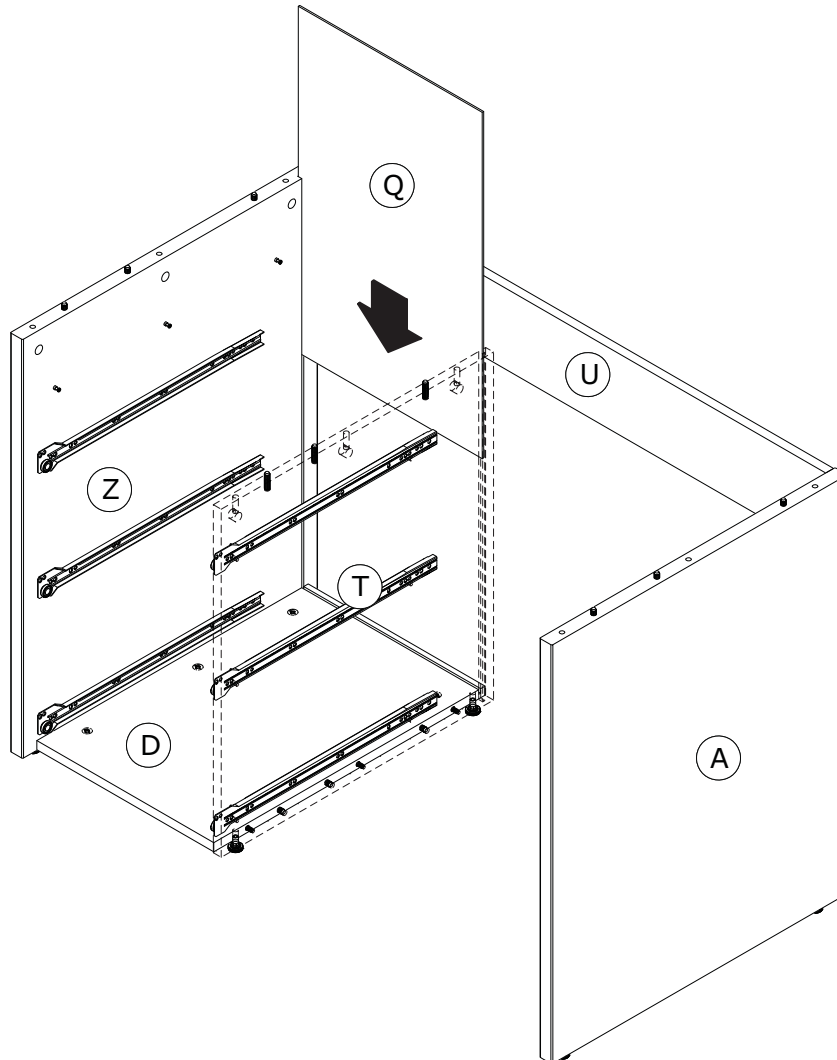
12



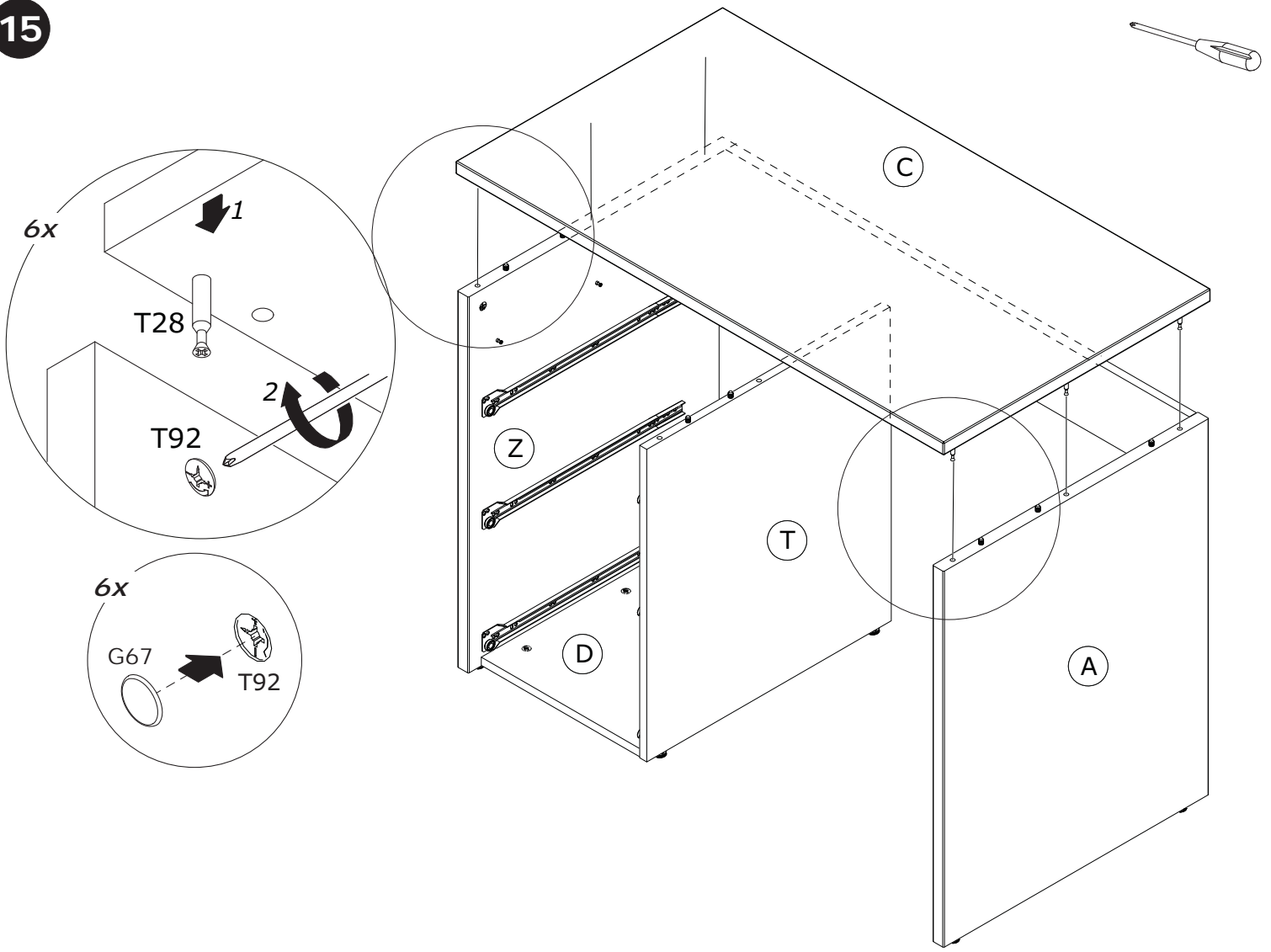
13



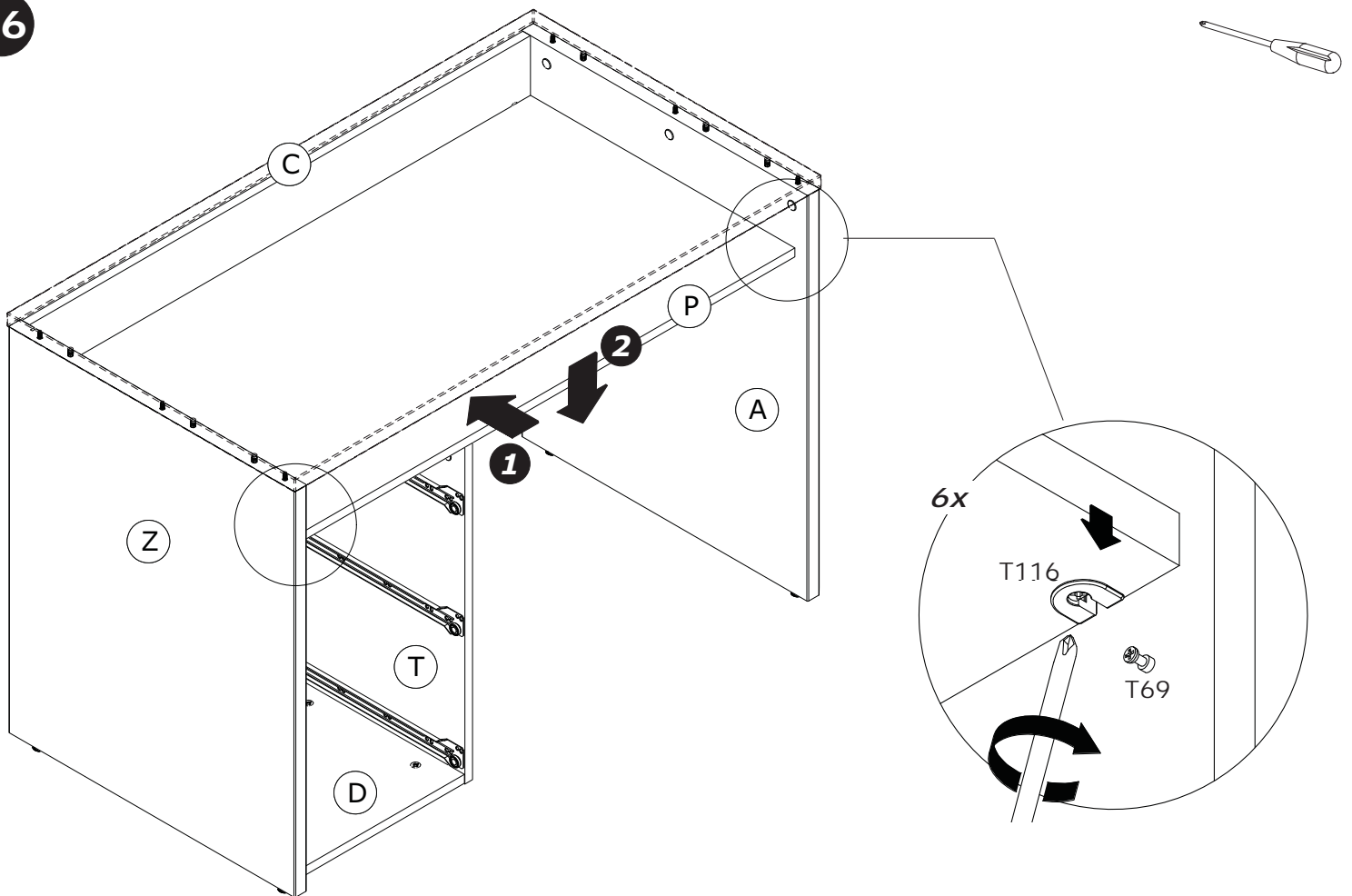
14



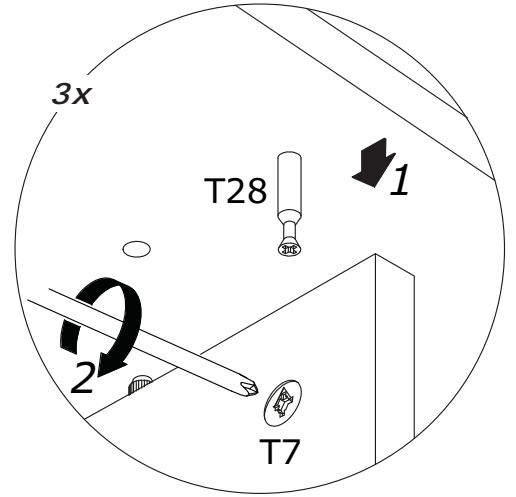
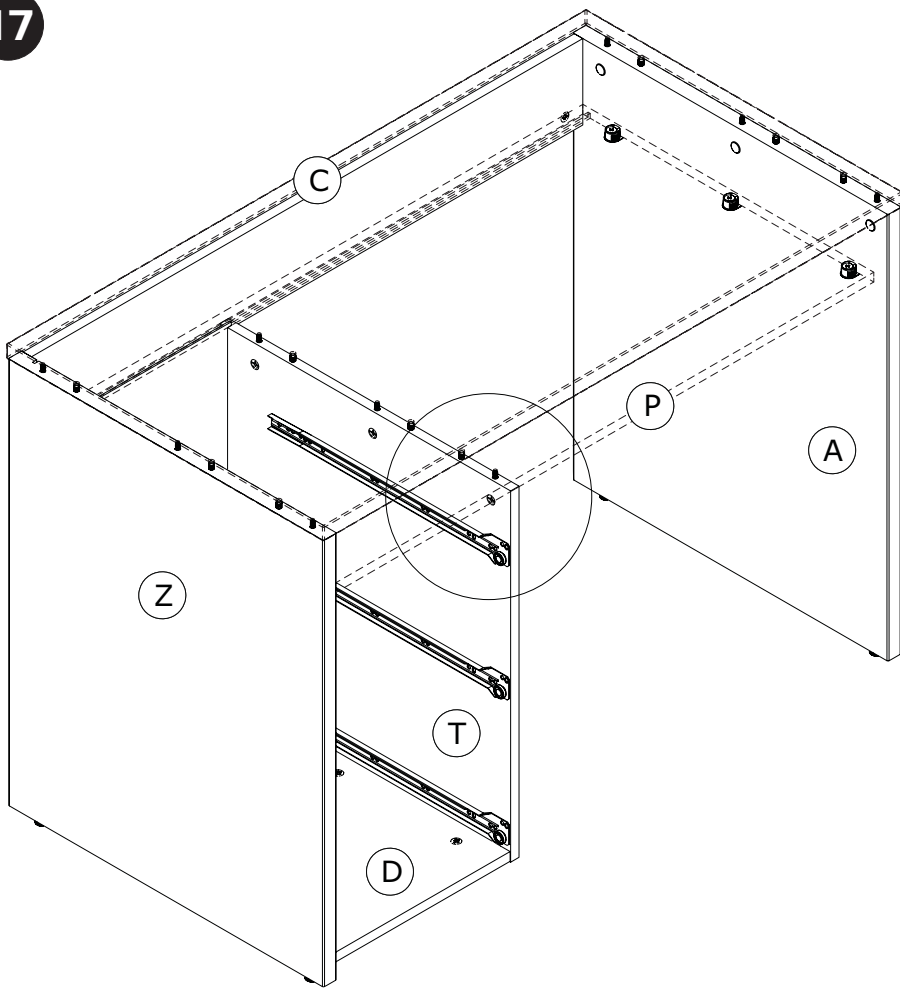
15



16



17



18

