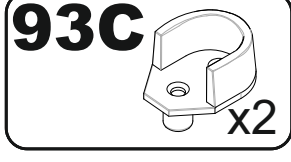
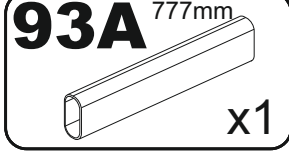
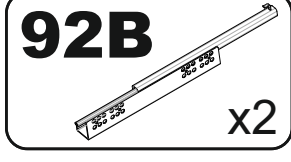
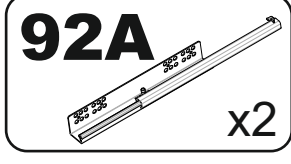
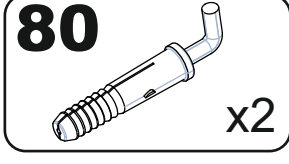
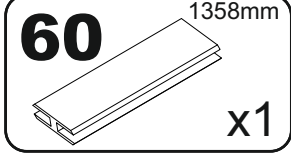
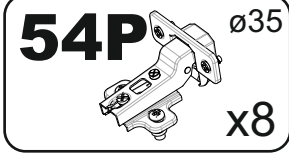
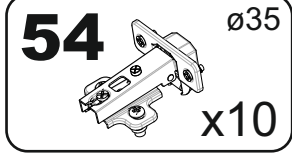
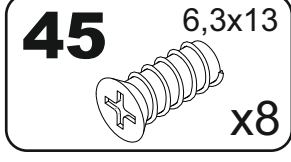
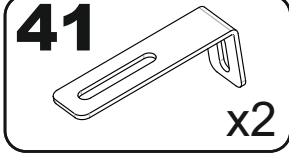
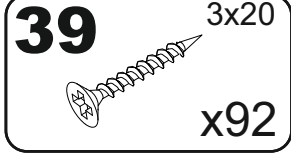
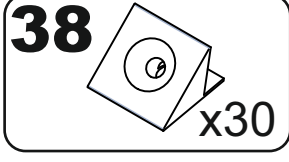
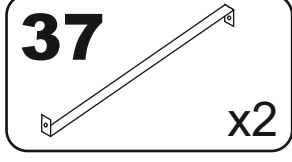
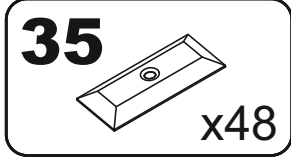
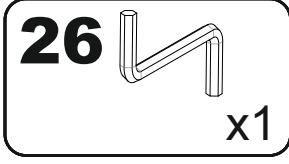
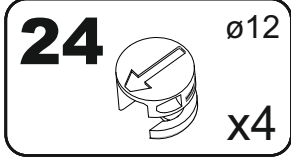
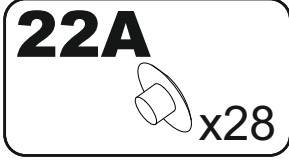
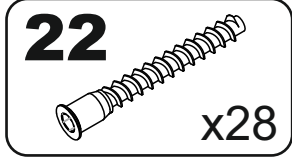
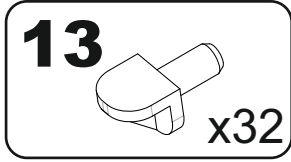
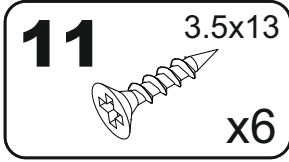
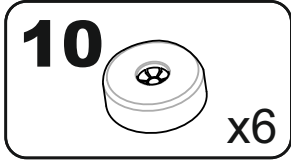
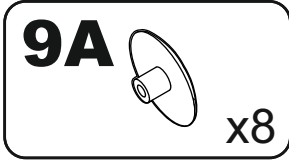
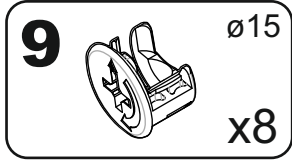
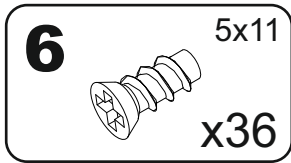
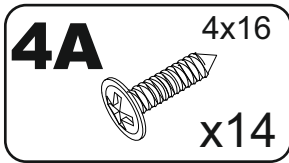
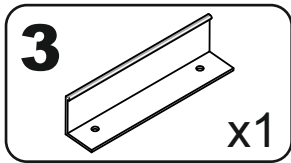
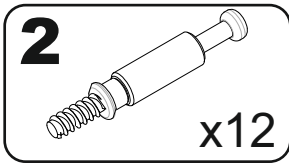
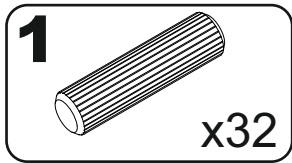
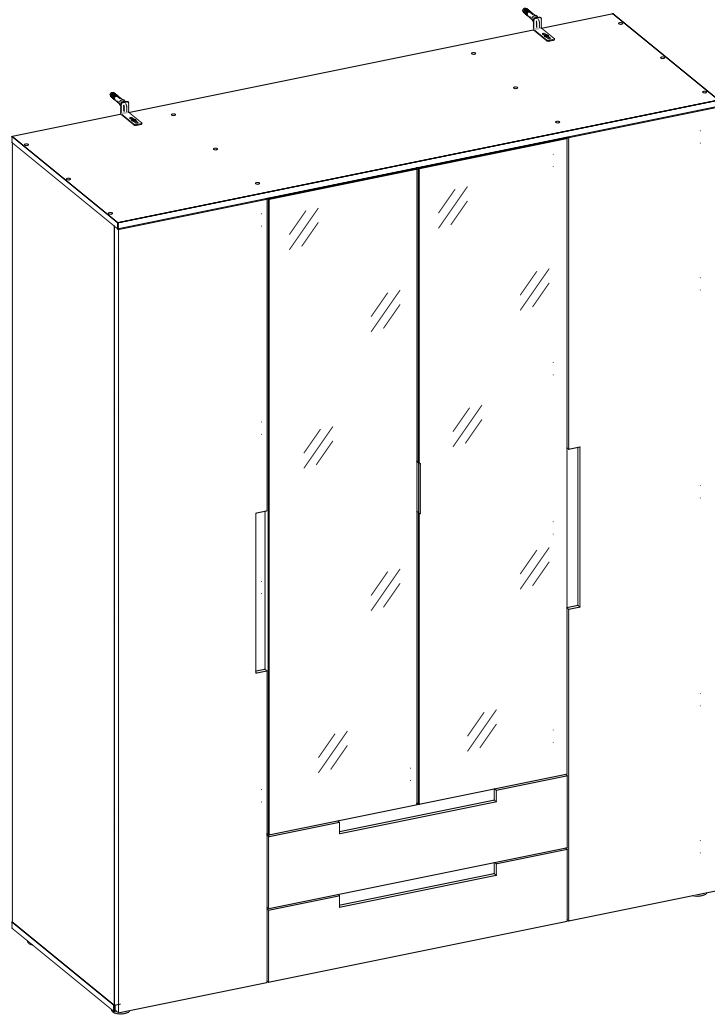
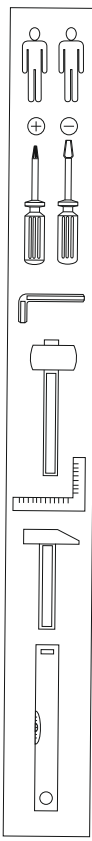
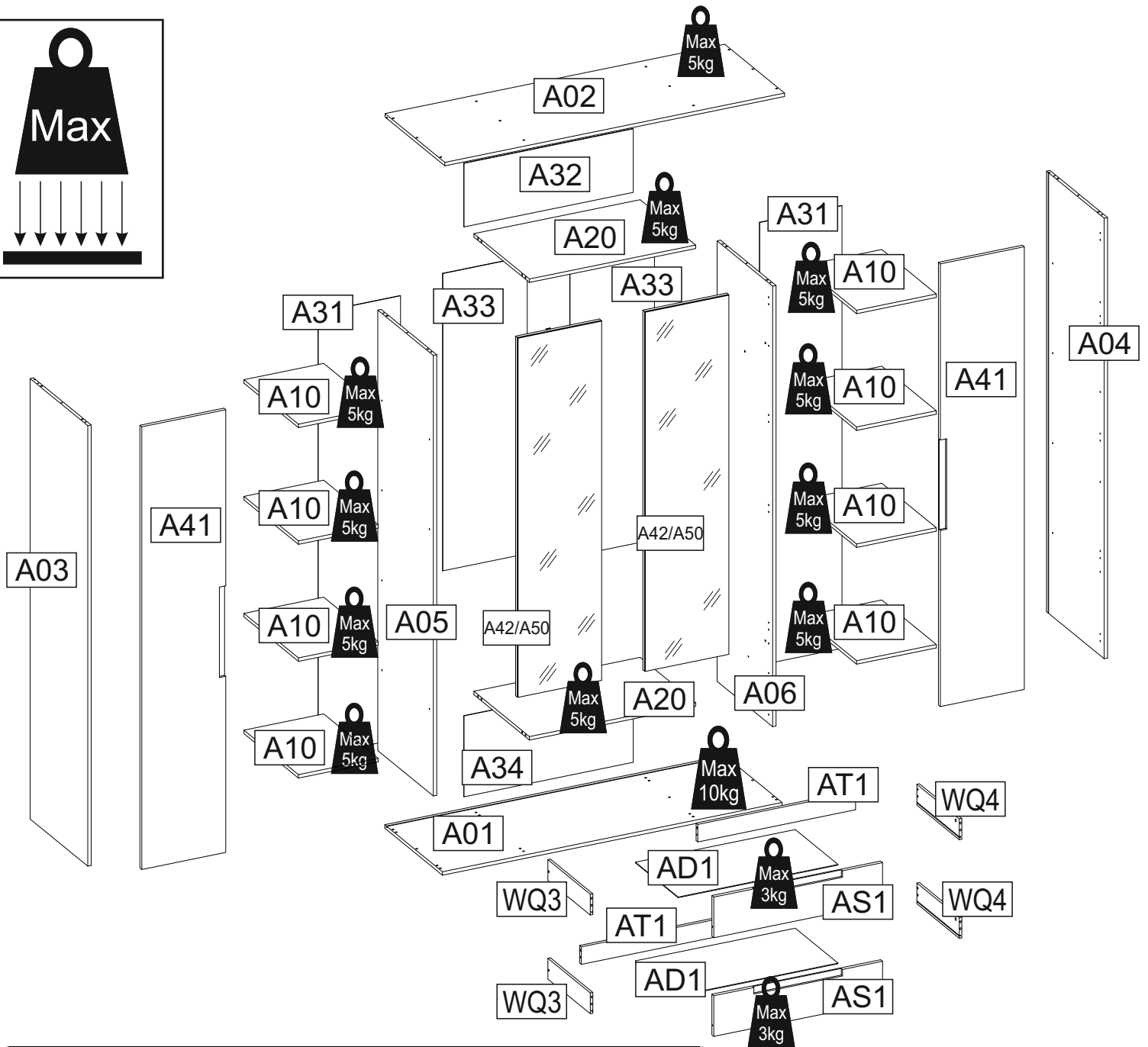
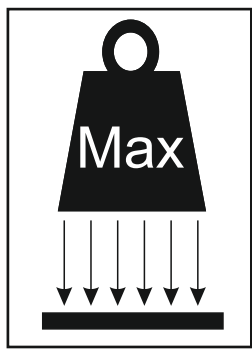


180 min

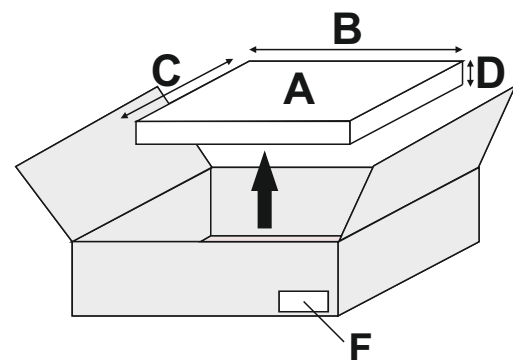


A collection of safety and assembly icons. On the left, there are icons for eye protection (goggles), gloves, and a warning sign. In the center, there are icons for handling materials, a warning sign, and a checkmark. On the right, there are icons for hand protection (100% cotton gloves), a warning sign, and a checkmark. At the bottom, there are icons for tool requirements (hammer, screwdriver, pencil, pencil sharpener, utility knife, and a power drill with a drill bit labeled $\Phi 8$). A person icon is also present.

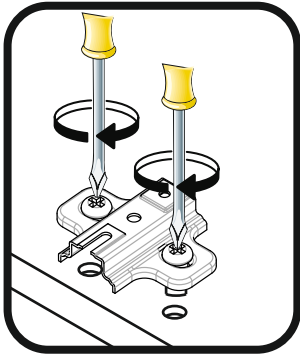
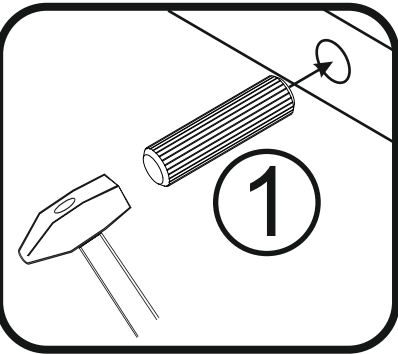
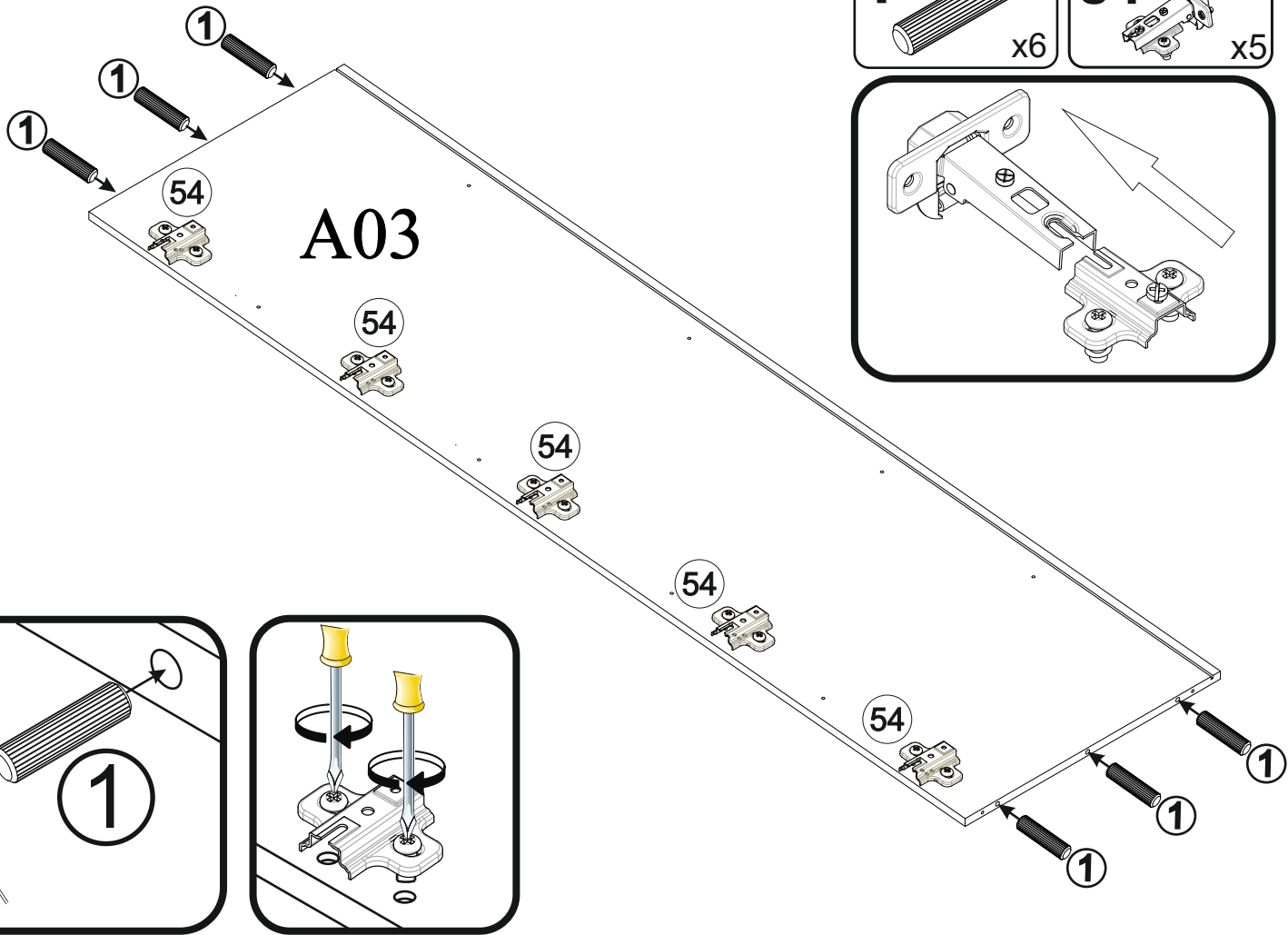




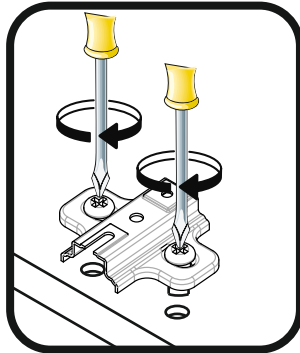
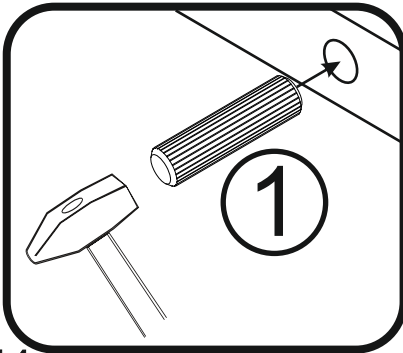
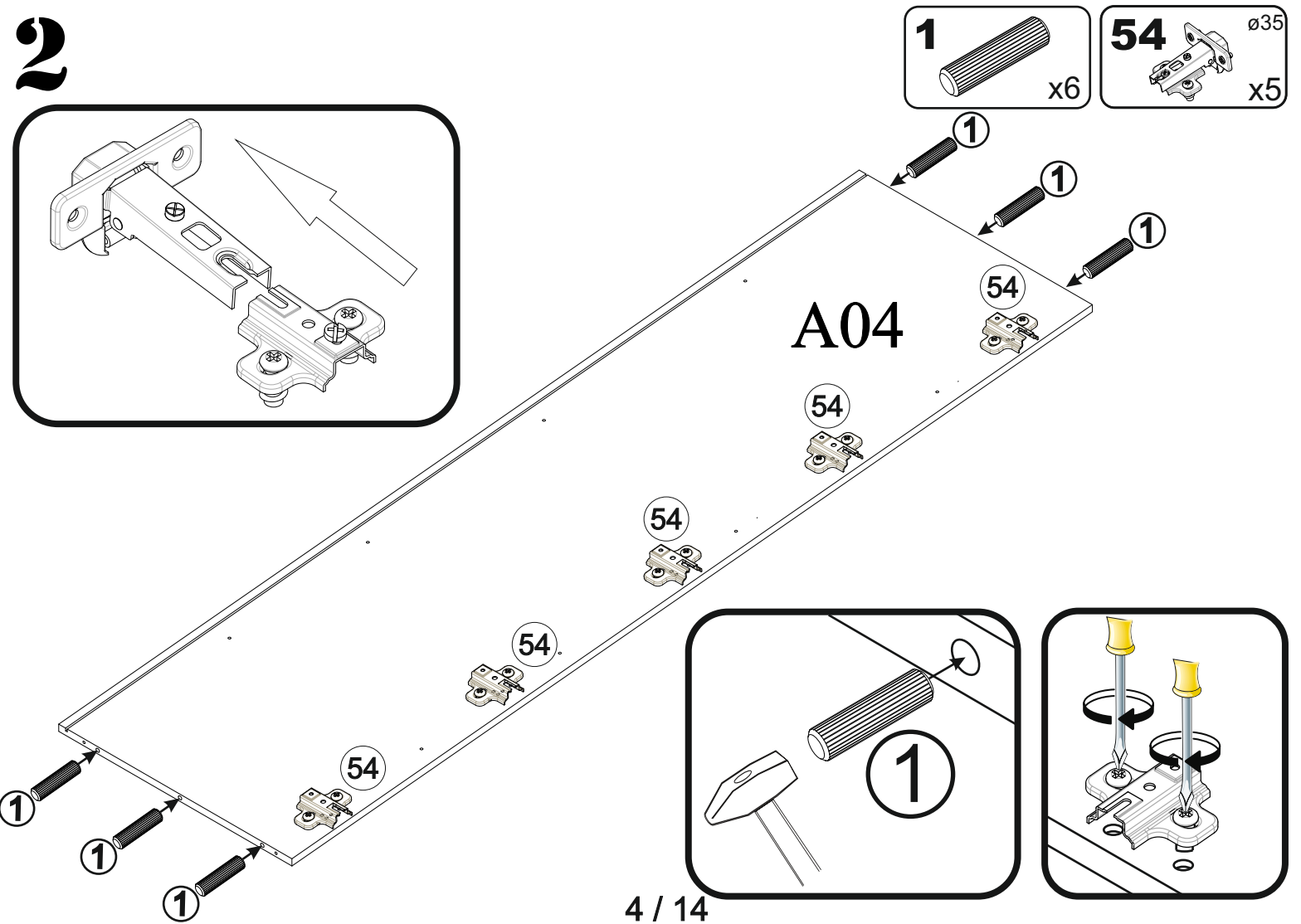
A	B (mm)	C (mm)	D (mm)	E	F
A01	1602	544	16	1	2 6
A02	1602	564	16	1	2 6
A03	2036	544	16	1	3 6
A04	2036	544	16	1	3 6
A05	2036	524	16	1	4 6
A06	2036	524	16	1	4 6
A10	376	514	16	8	1 6
A20	784	524	16	2	2 6
A31	2046	388	3	2	6 6
A32	798	294	3	1	1 6
A33	1374	398	3	2	4 6
A34	798	374	3	1	1 6
A41	2046	396	18	2	6 6
A42	1662	396	16	2	5 6
A50	1660	394	3	2	5 6
AD1	754	403	3	2	3 6
AS1	796	188	18	2	1 6
AT1	744	81	16	2	1 6
WQ3	400	96	12	2	1 6
WQ4	400	96	12	2	1 6




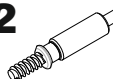
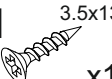
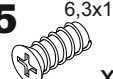



1

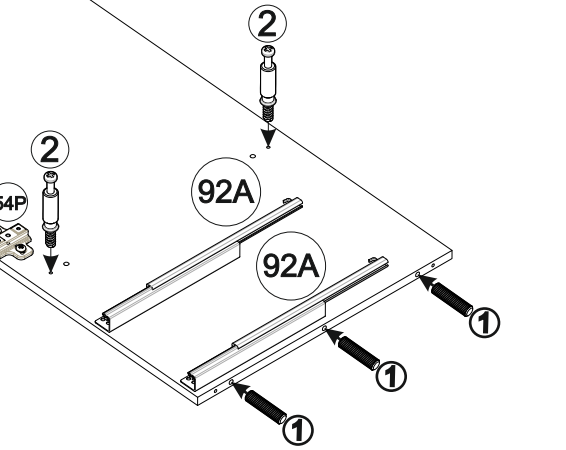
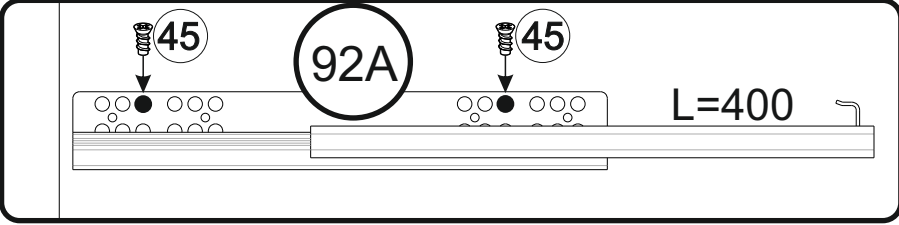
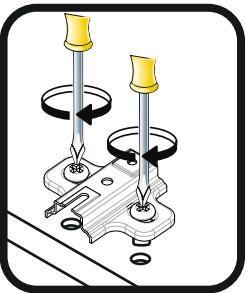
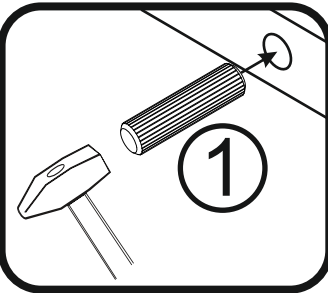
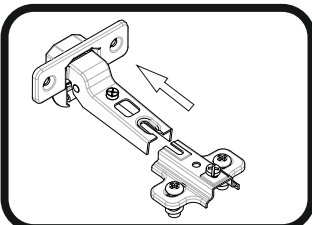
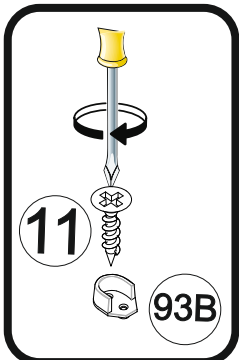
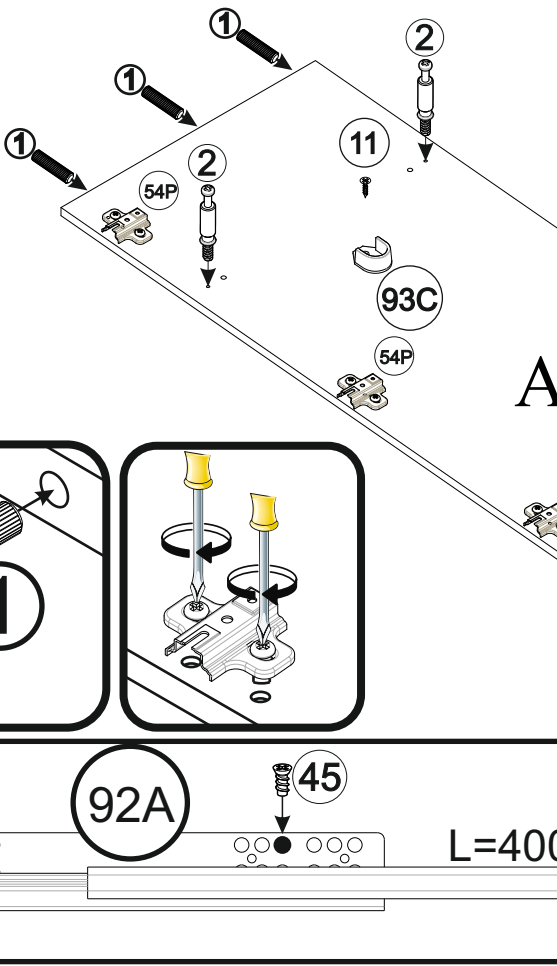
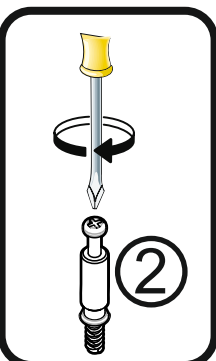


2


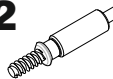
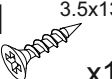
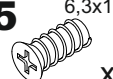





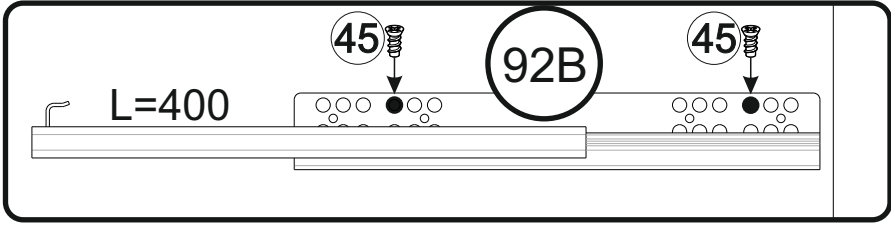
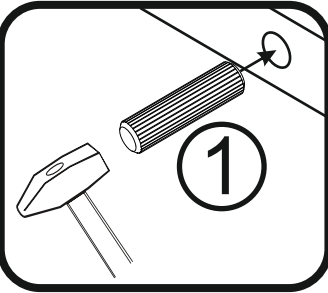
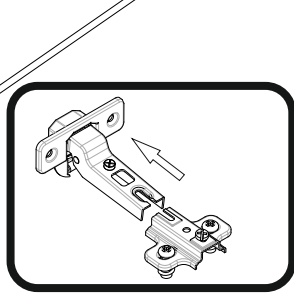
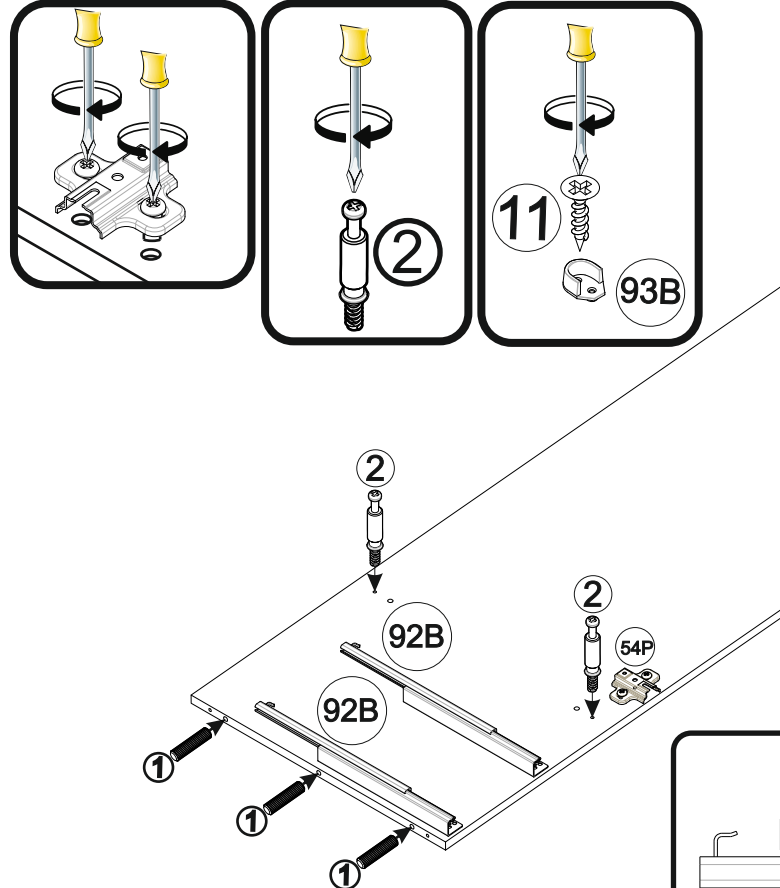
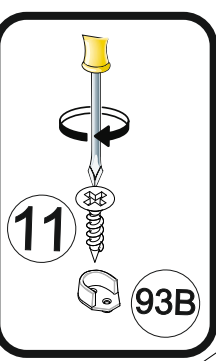
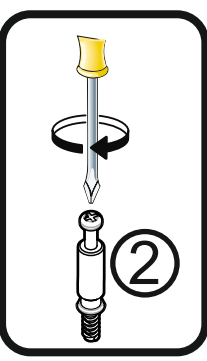
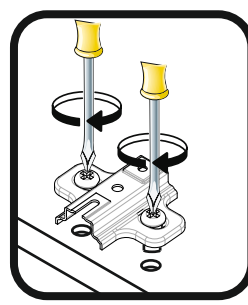
3

- 1**  x6
- 2**  x4
- 11**  3.5x13 x1
- 45**  6,3x13 x4
- 54P**  ø35 x4
- 92A**  x2
- 93C**  x1

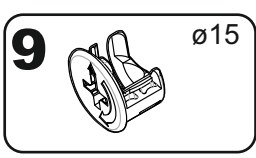
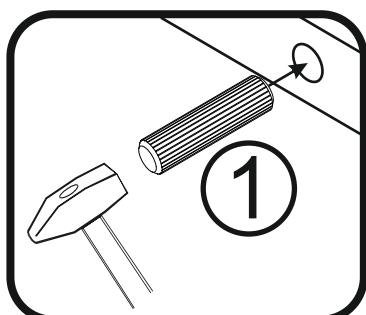
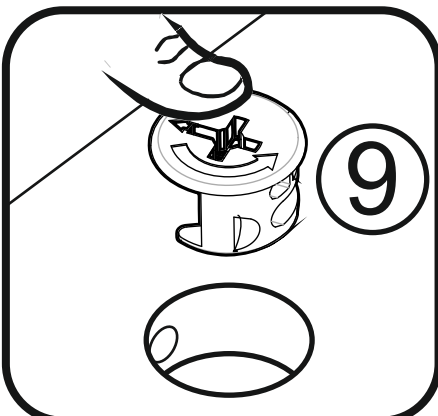
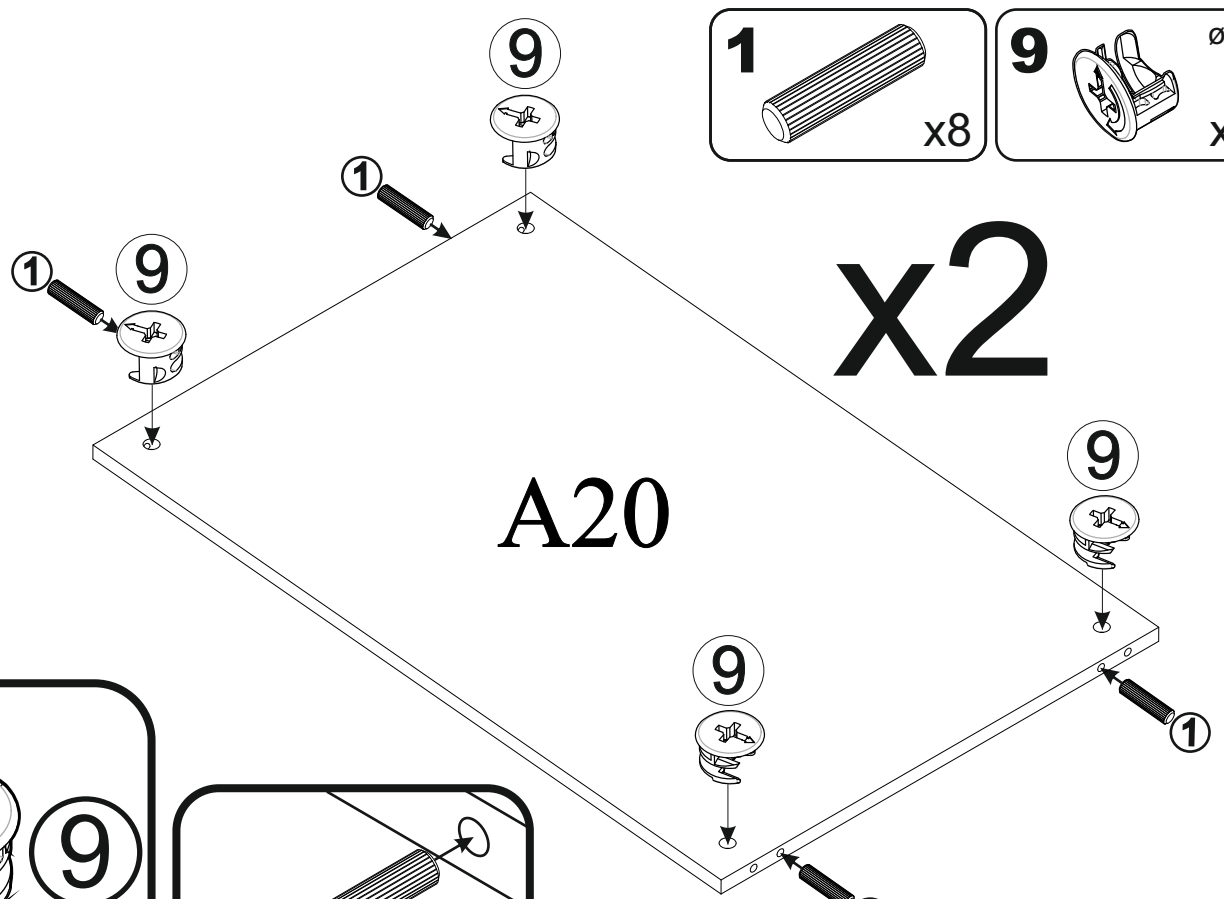
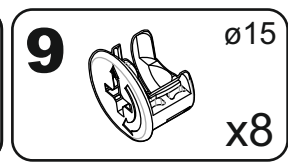
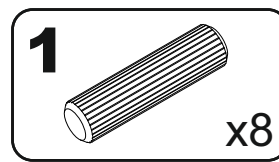


4

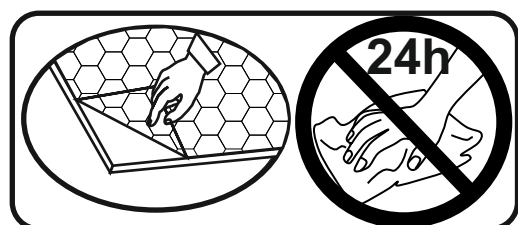
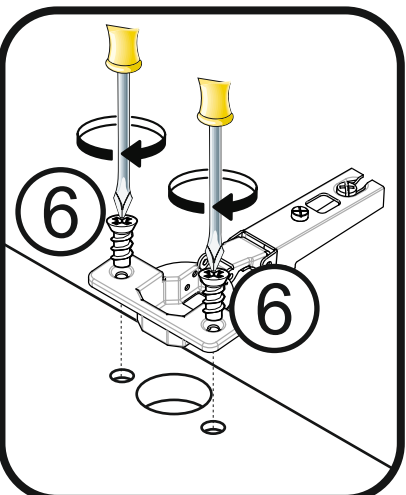
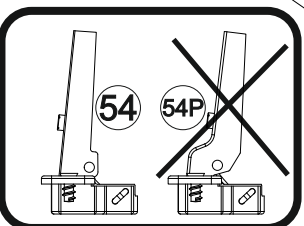
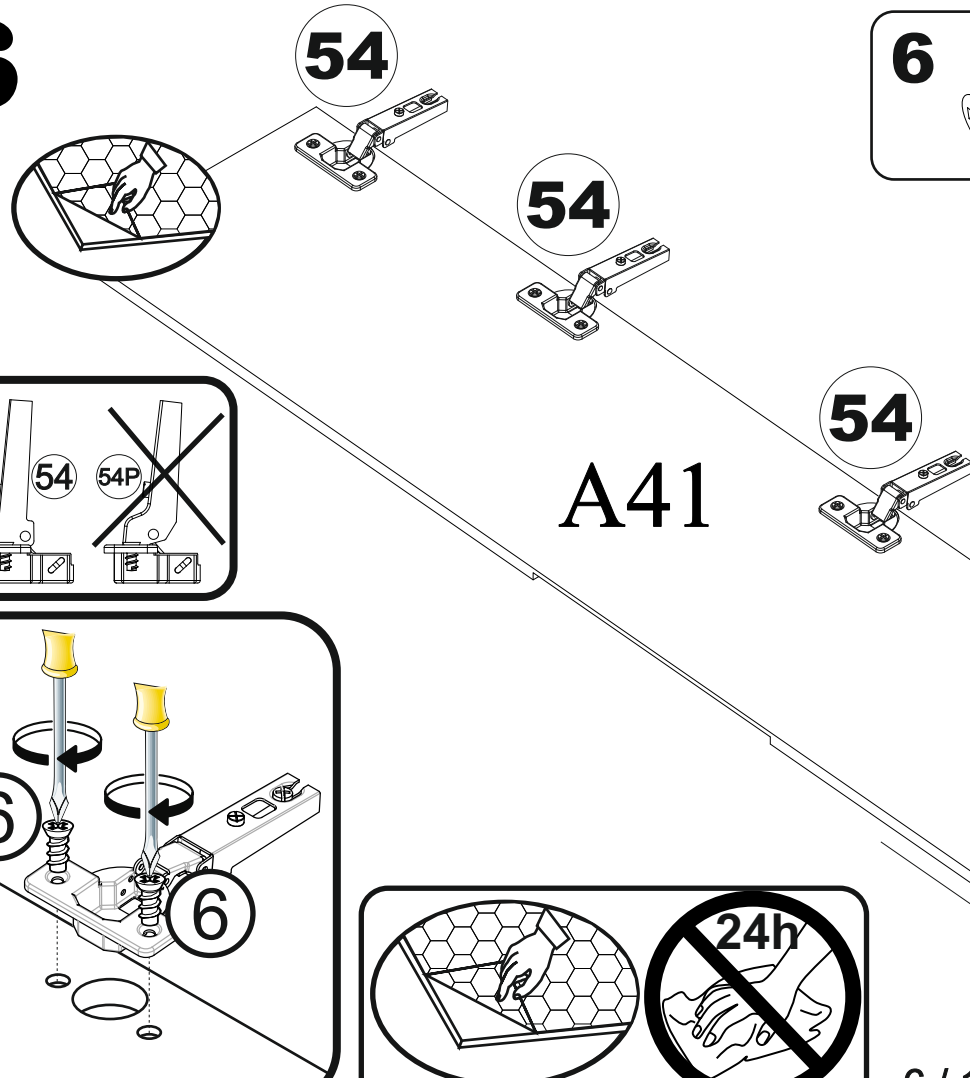
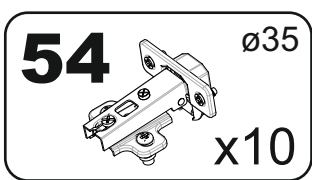
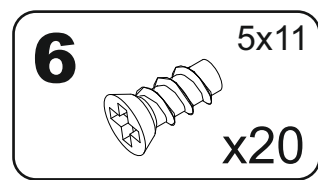
- 1**  x6
- 2**  x4
- 11**  3.5x13 x1
- 45**  6,3x13 x4
- 54P**  ø35 x4
- 92B**  x2
- 93C**  x1



5



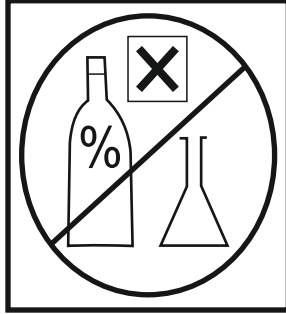
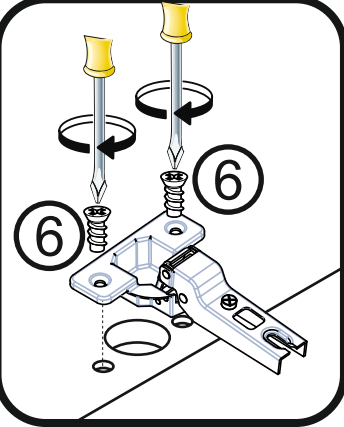
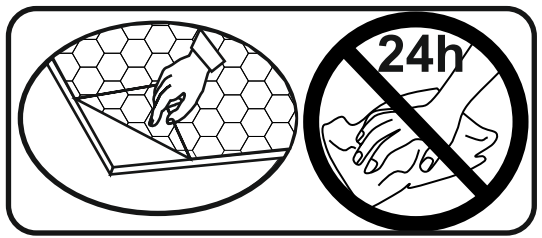
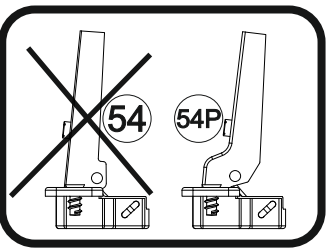
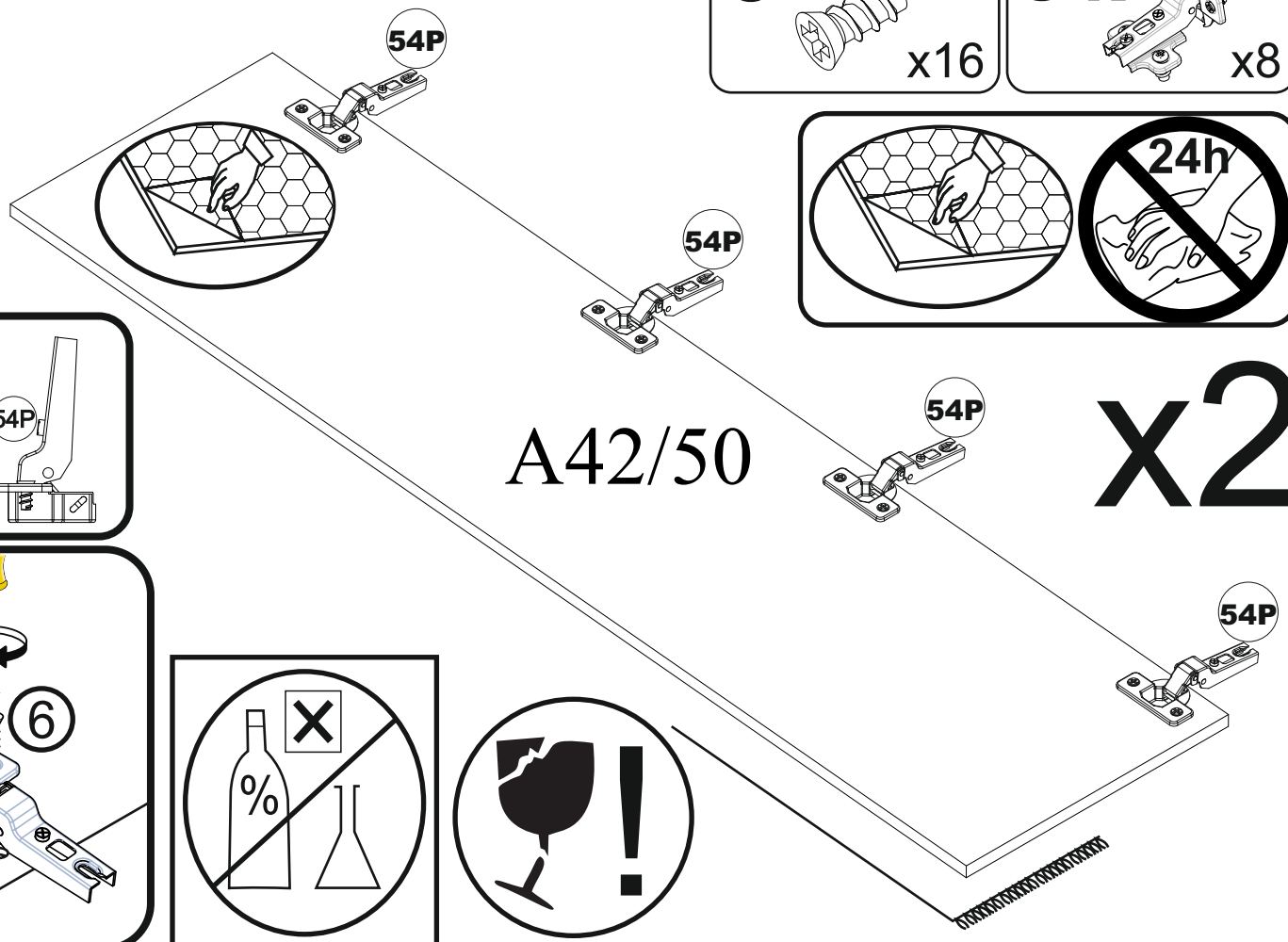
6



7

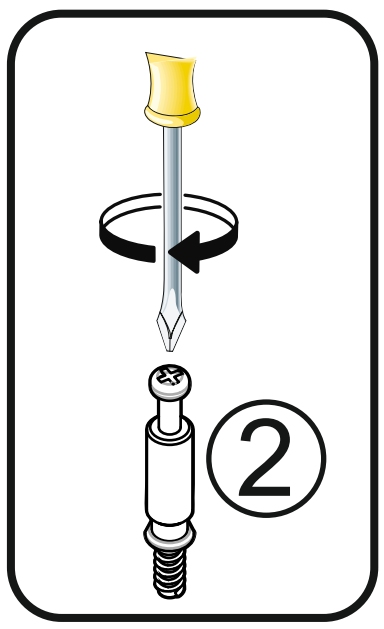
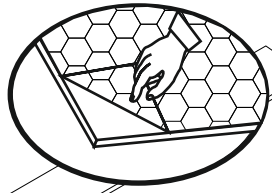
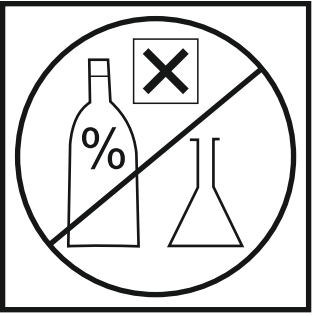
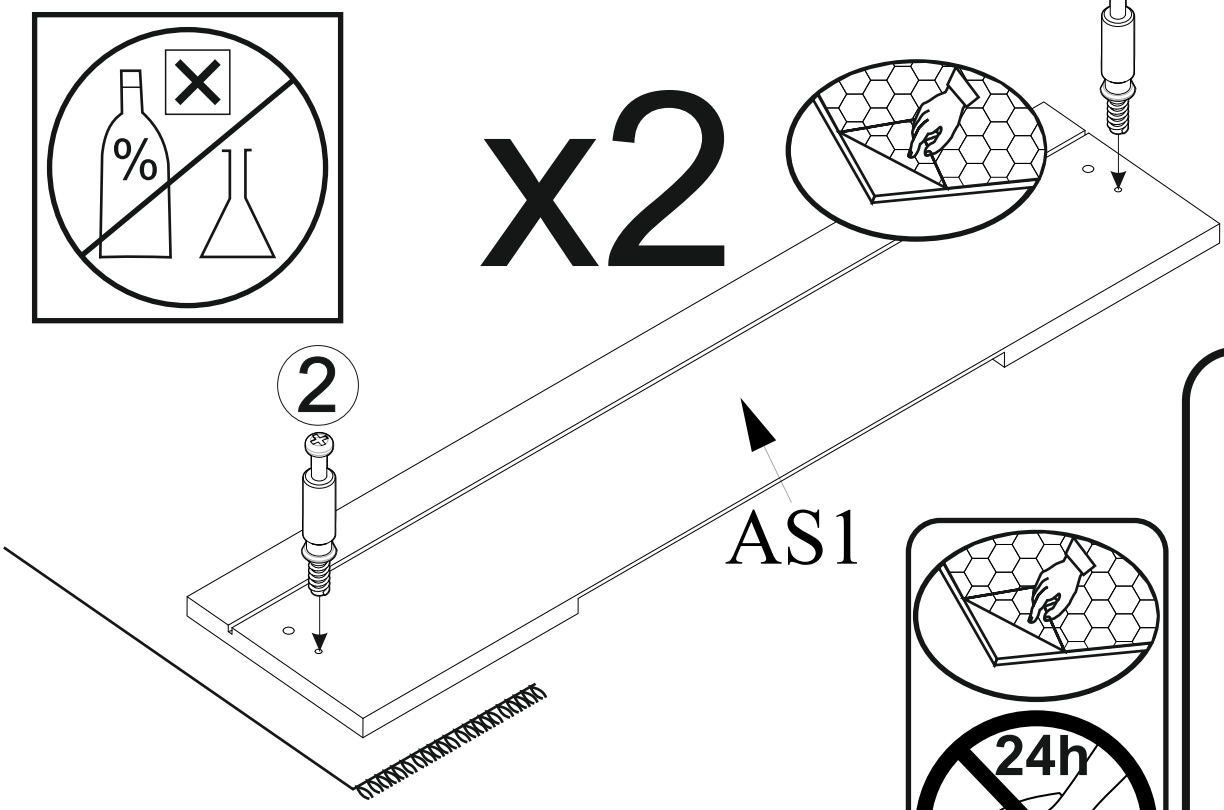
6 5x11 x16

54P ø35 x8

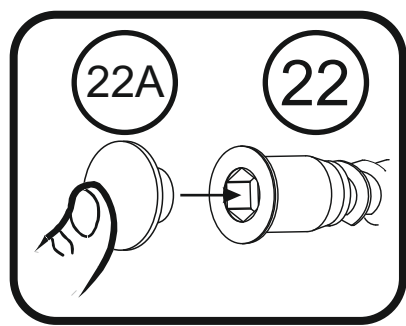
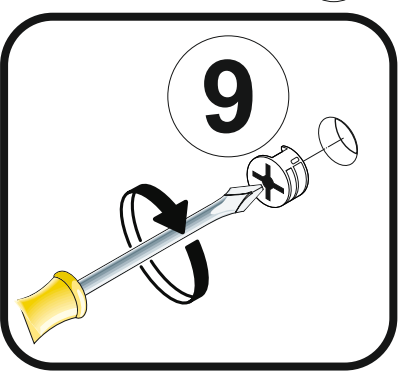
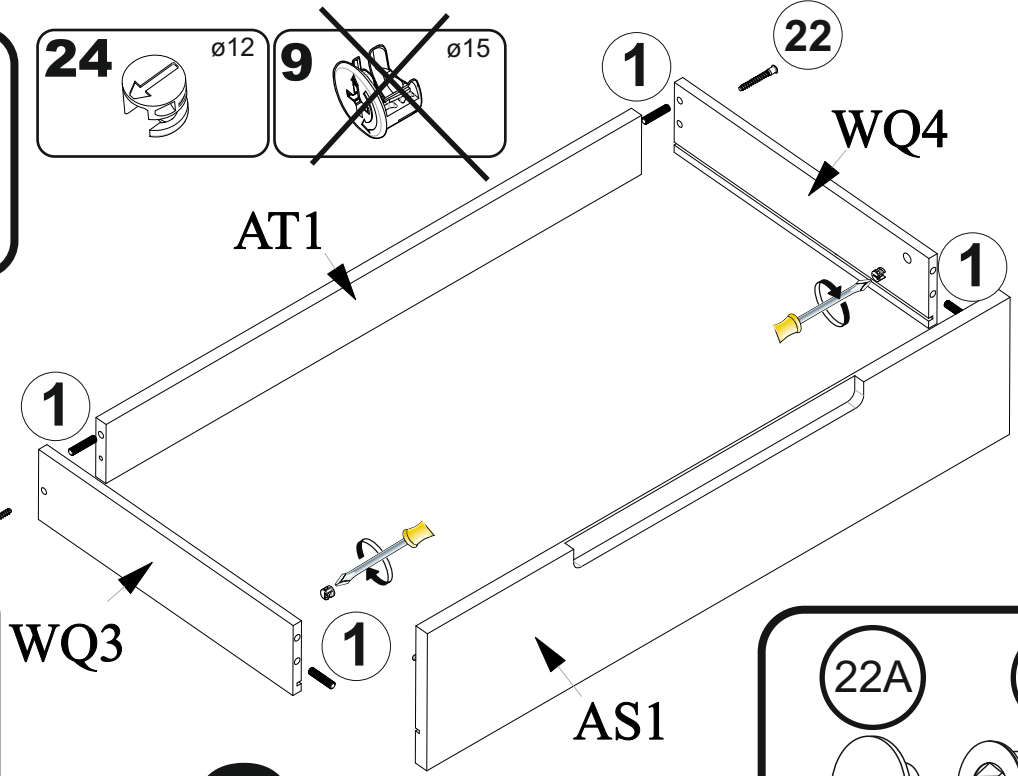
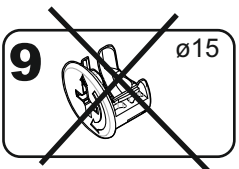
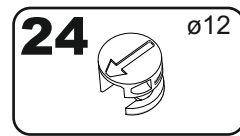
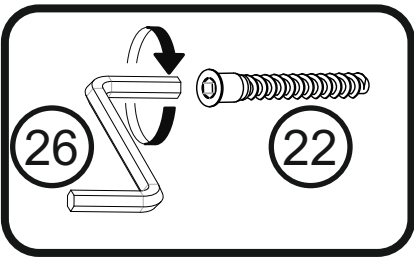
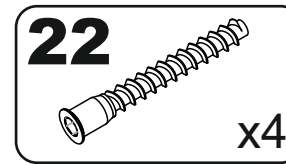
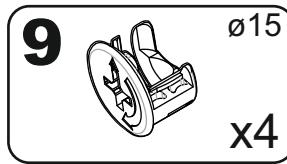


8

2 x4

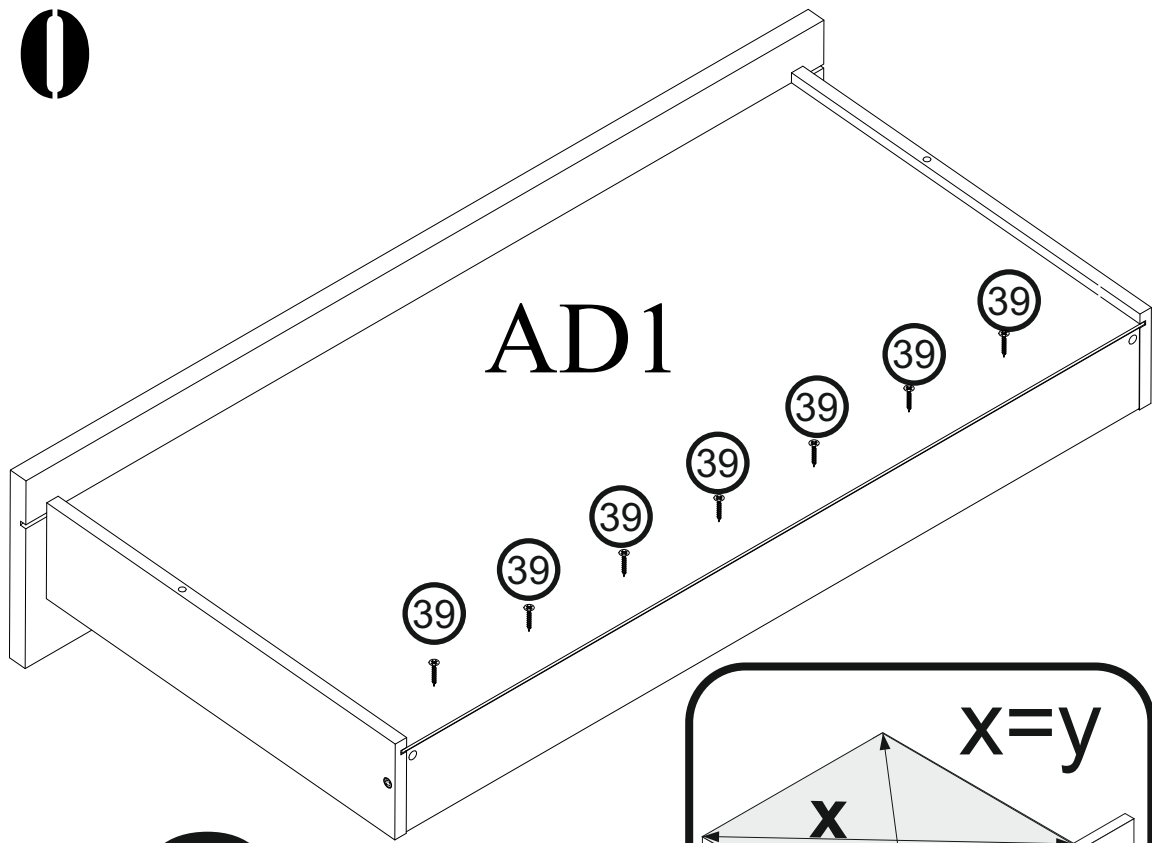
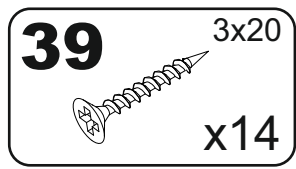


9

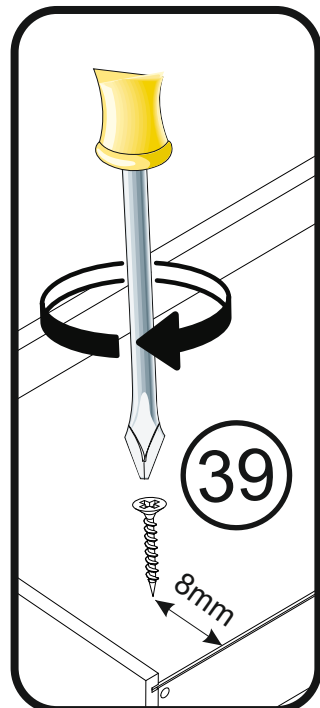
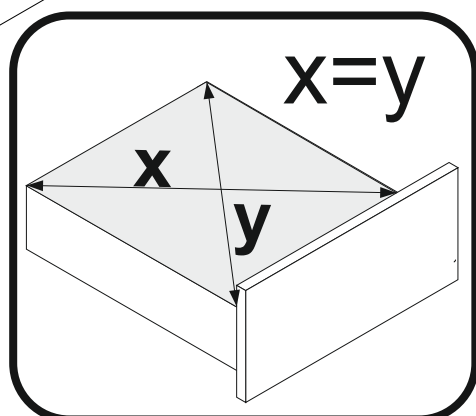


x2

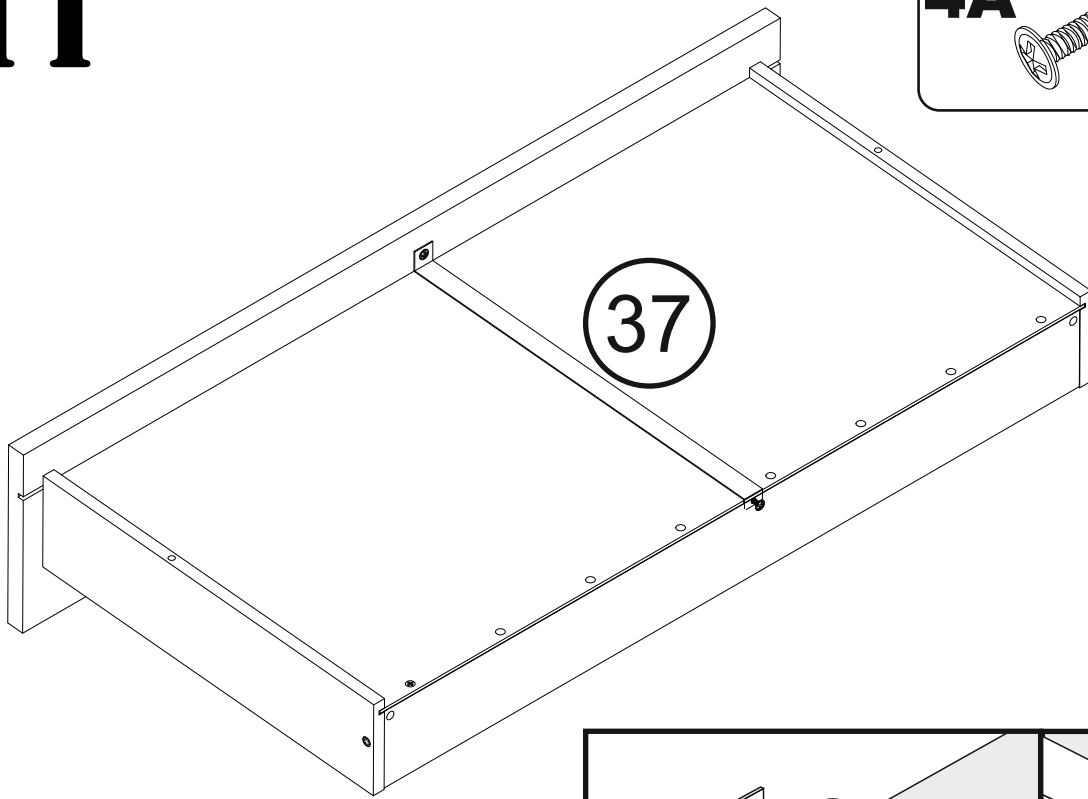
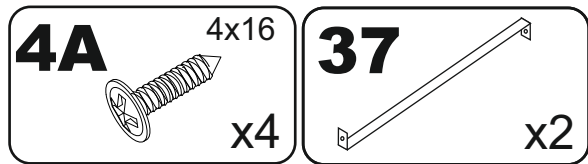
10



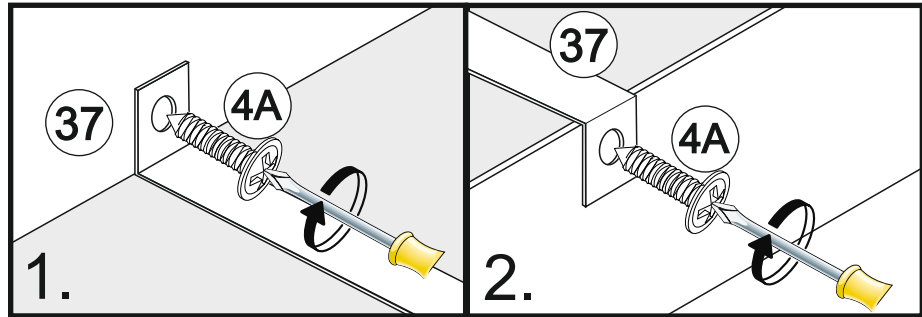
x2



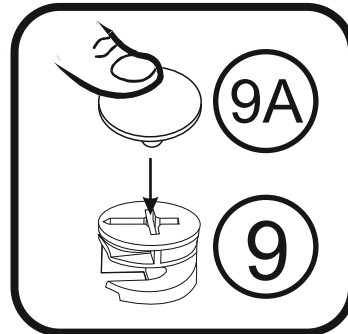
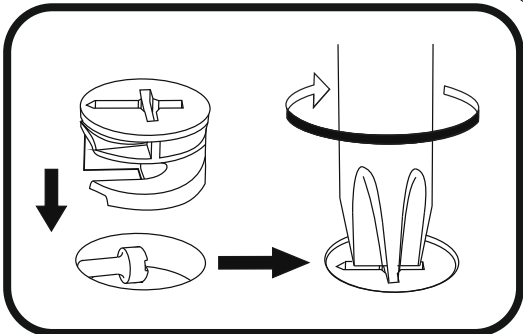
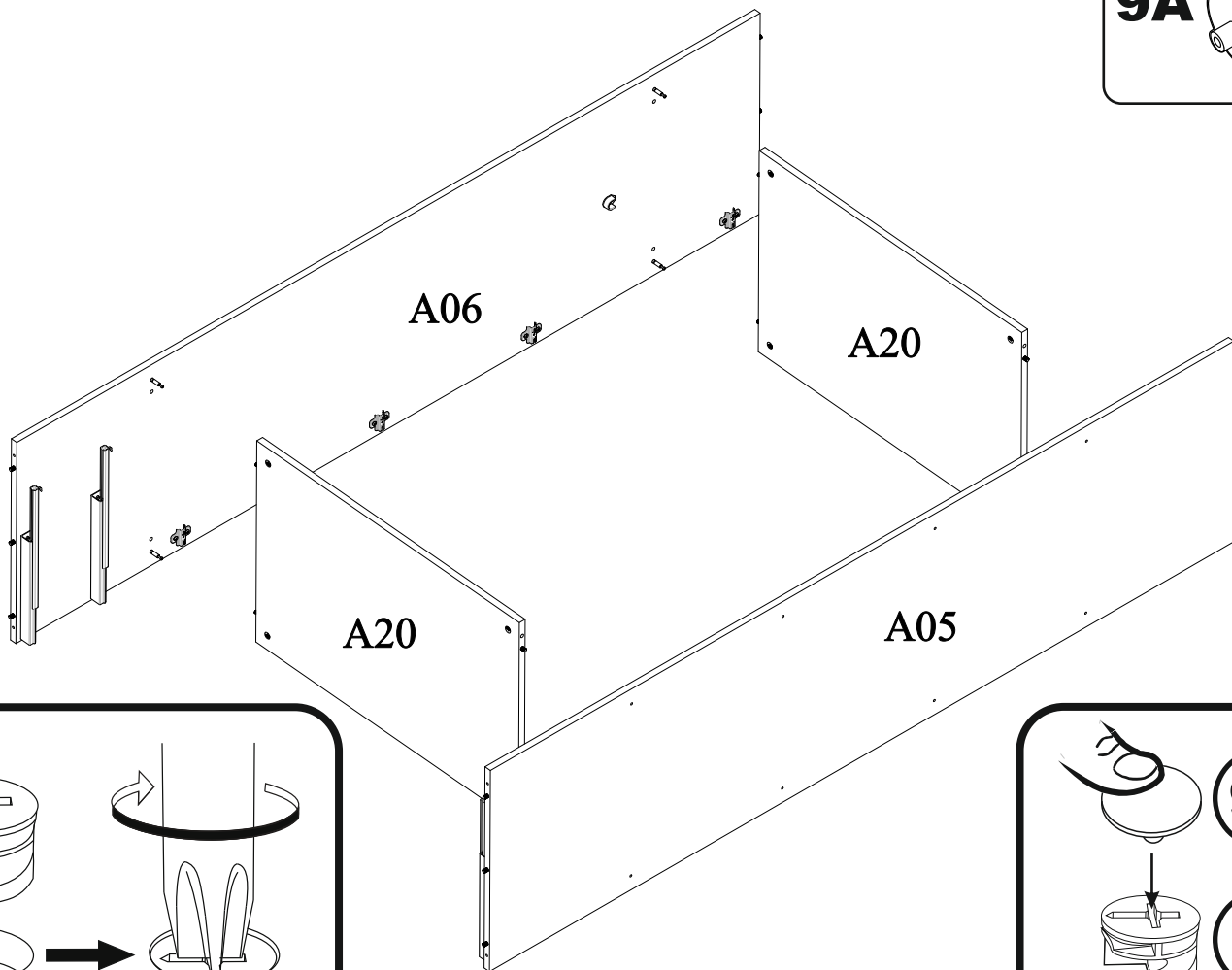
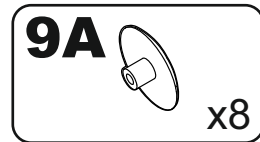
11



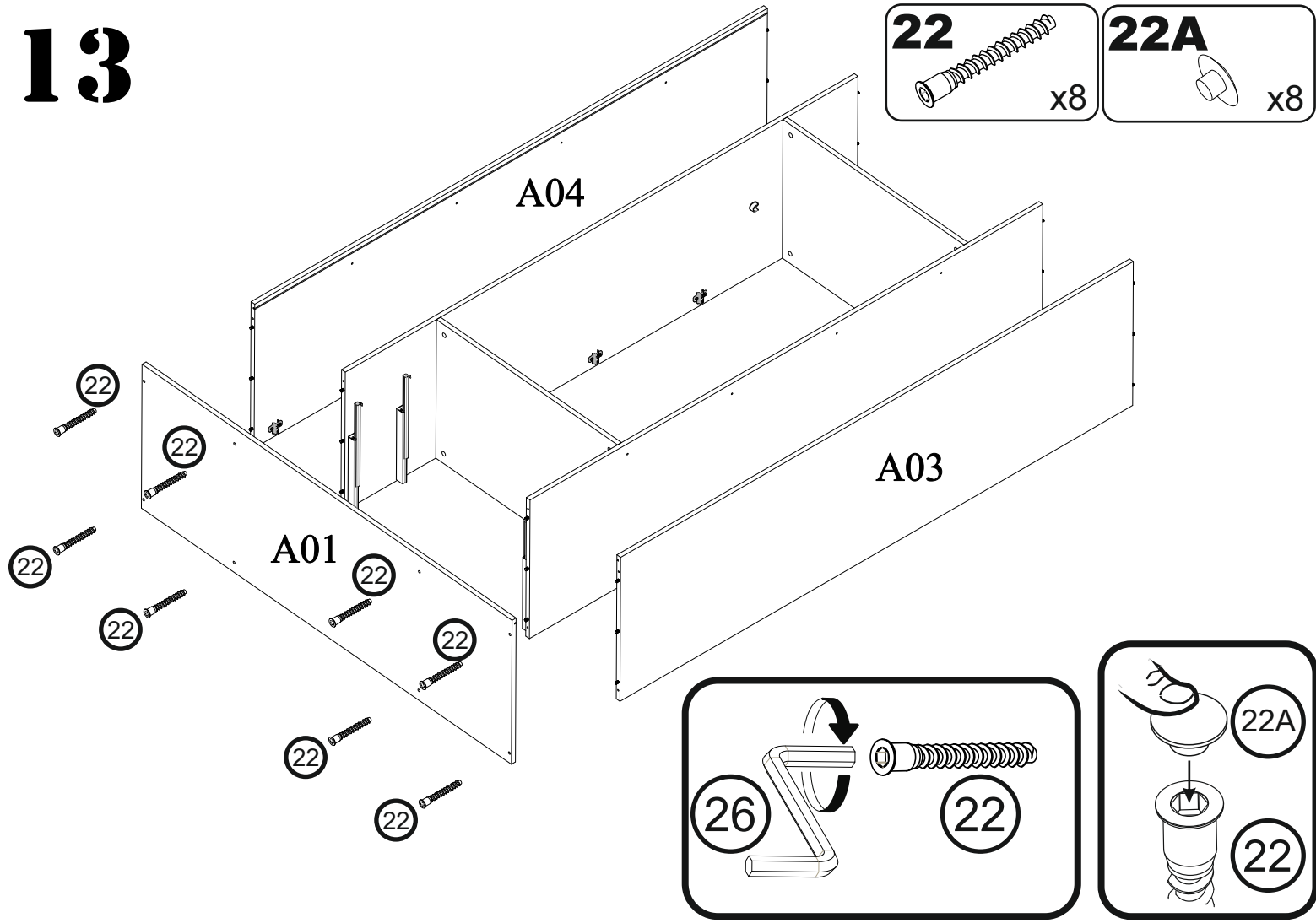
x2



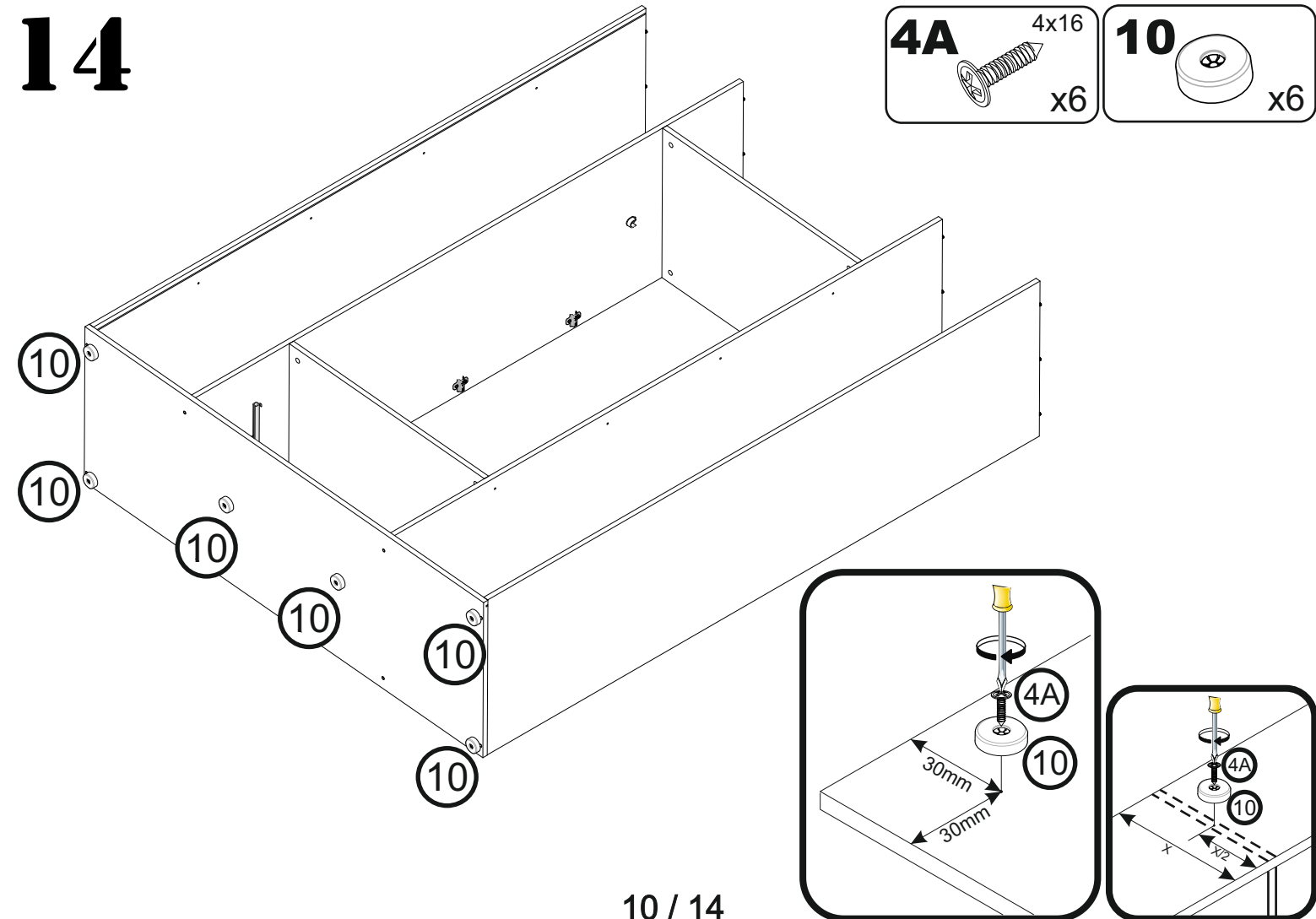
12



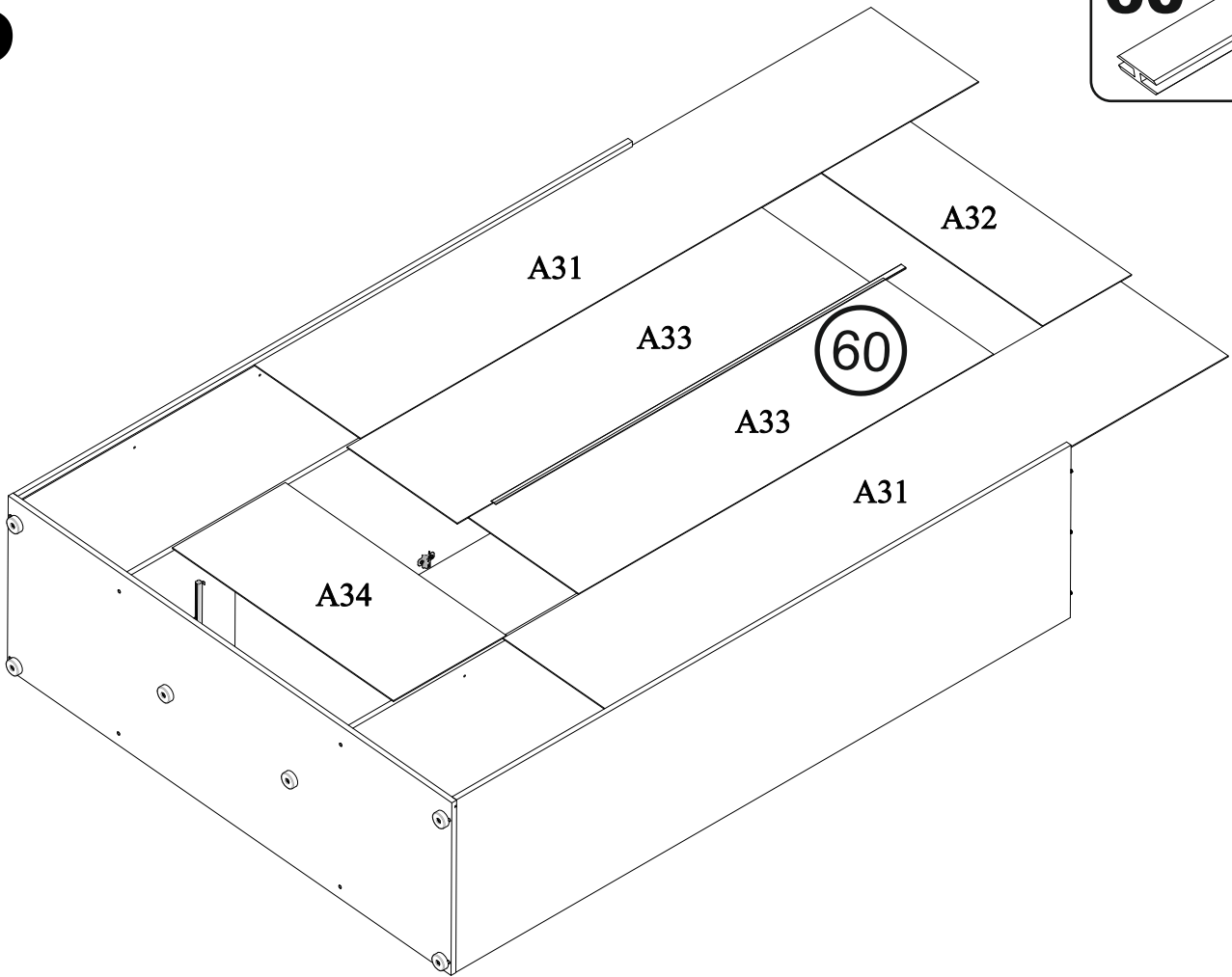
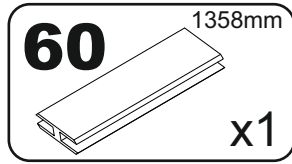
13



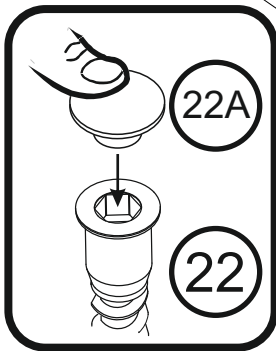
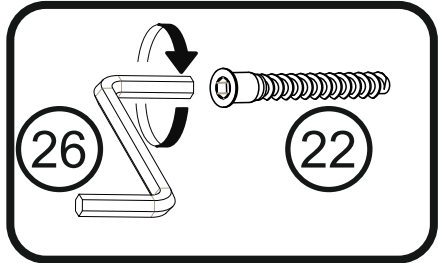
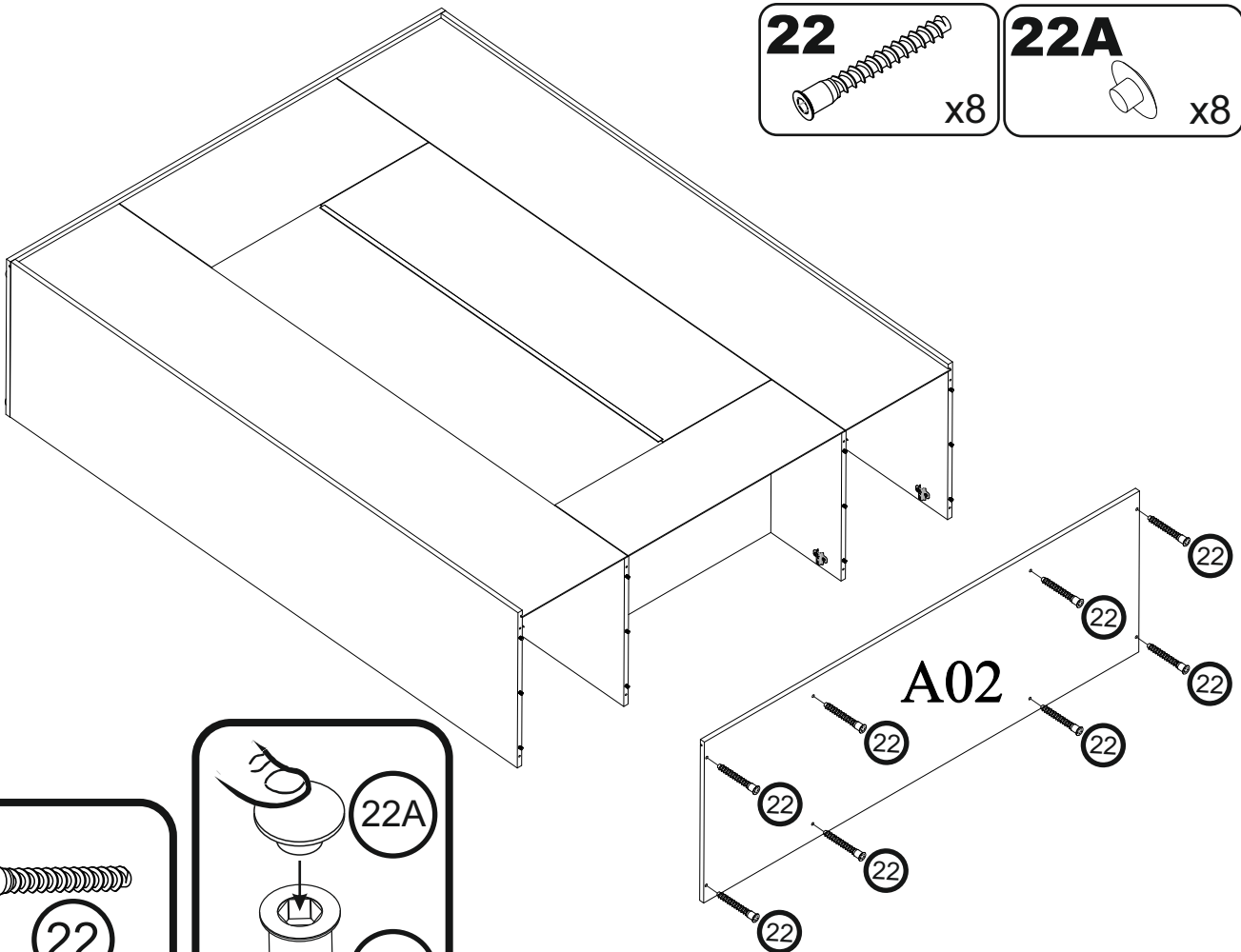
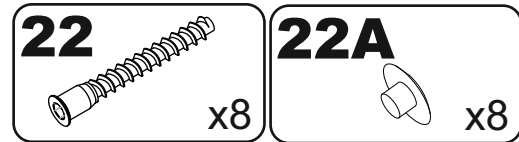
14



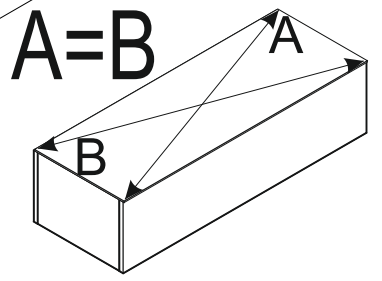
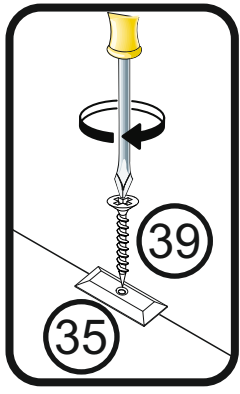
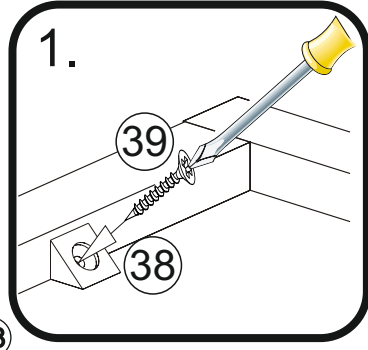
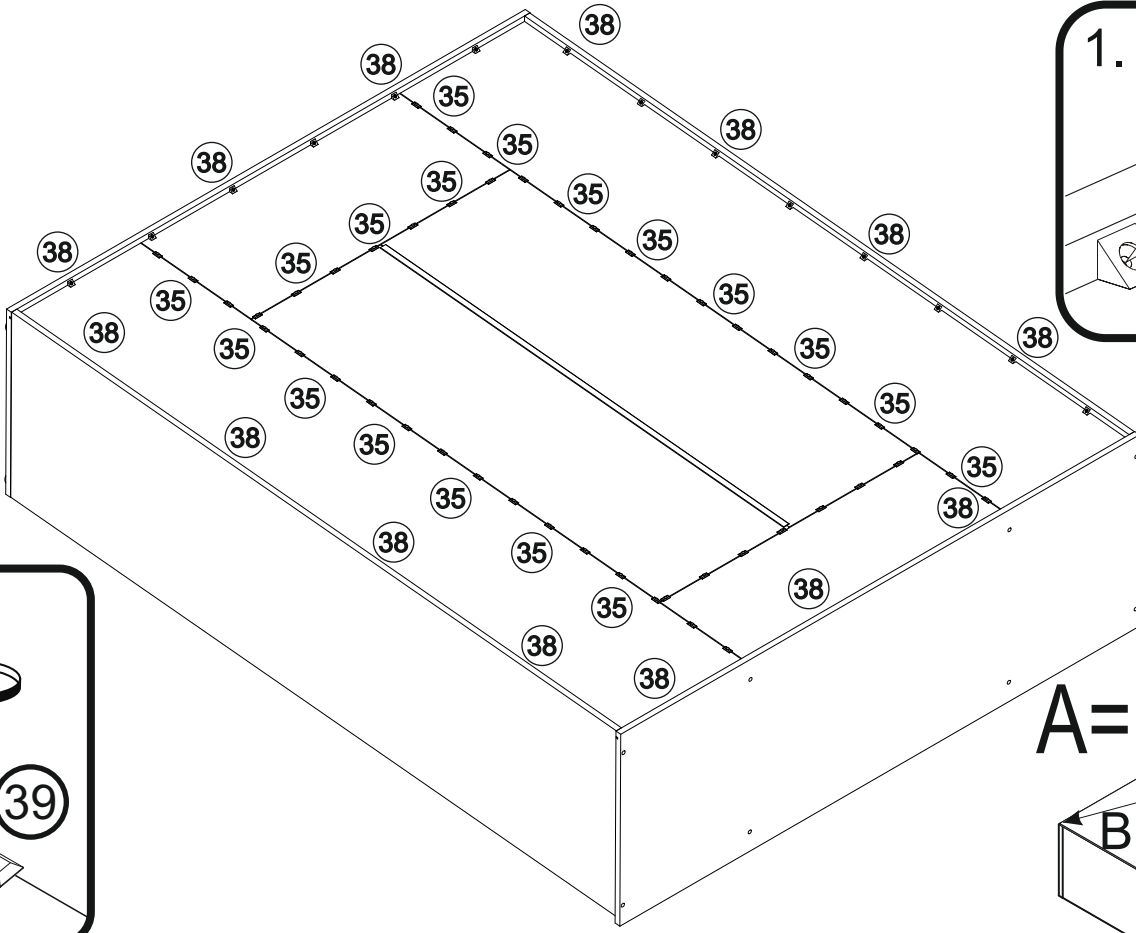
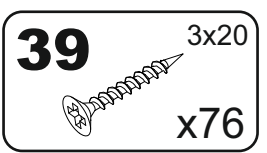
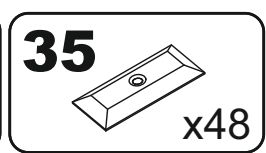
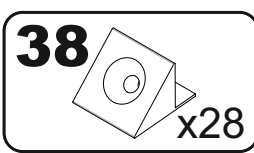
15



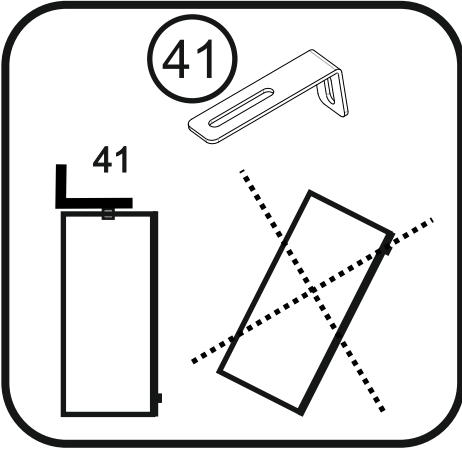
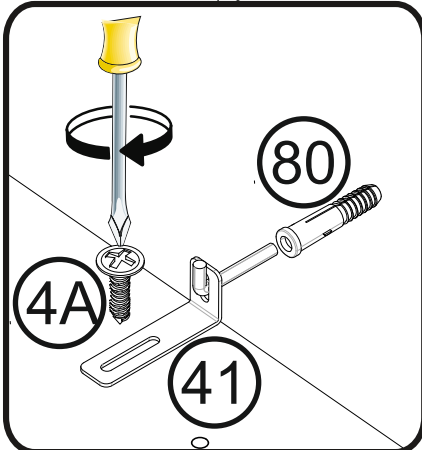
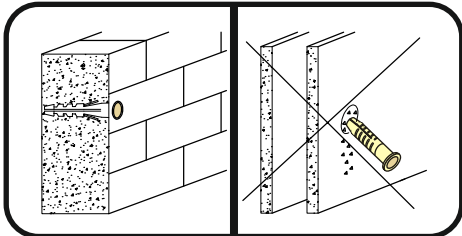
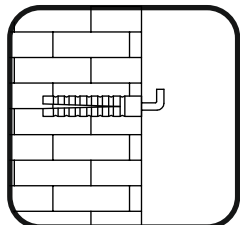
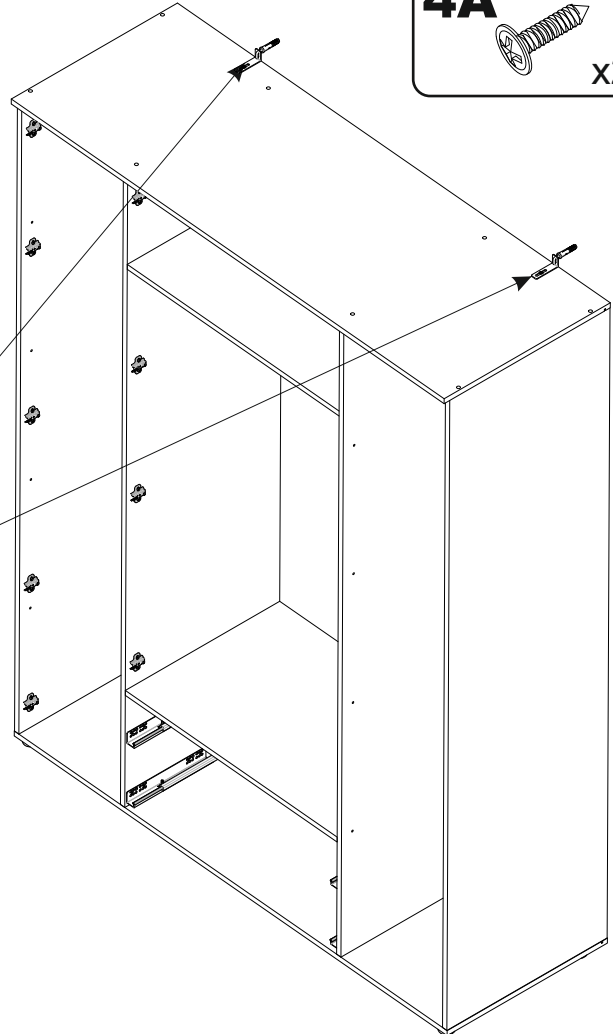
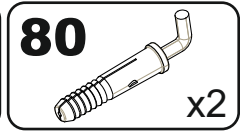
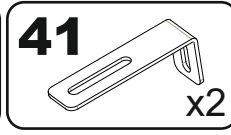
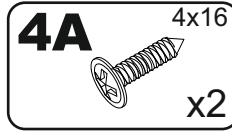
16



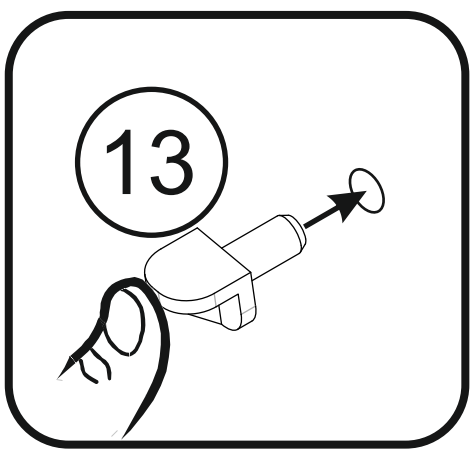
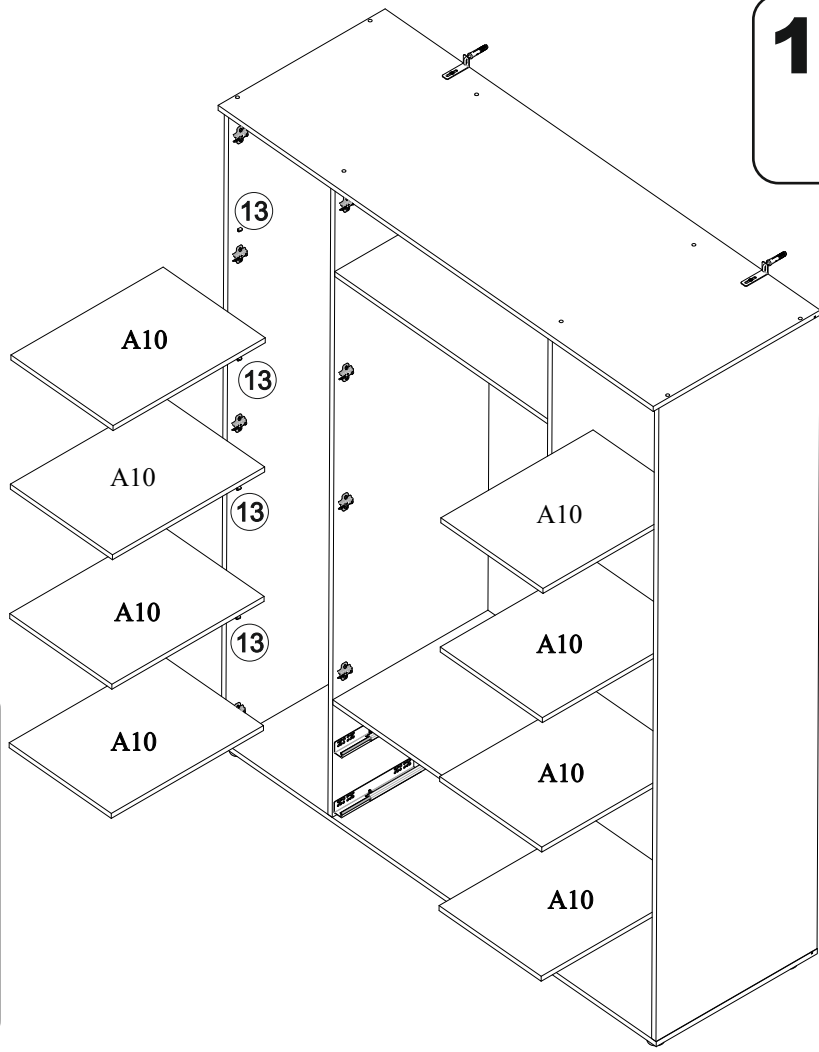
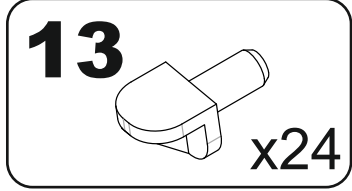
17



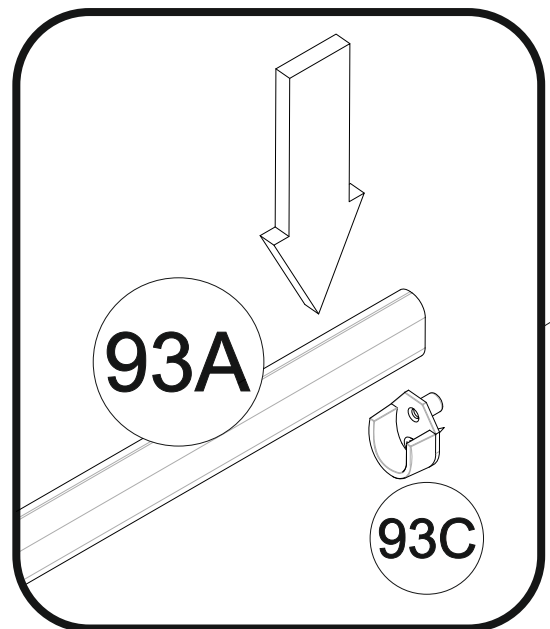
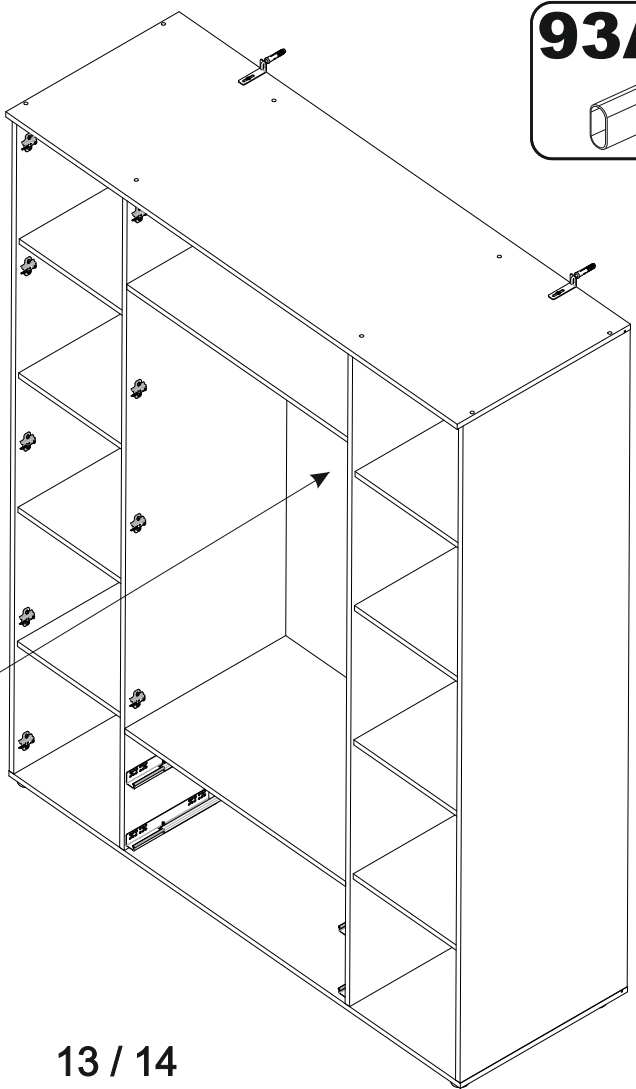
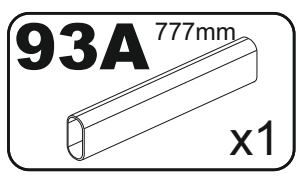
18



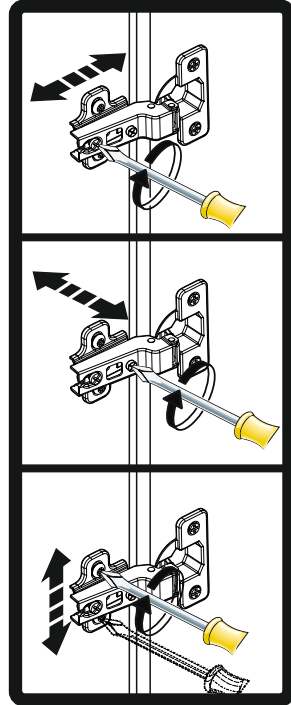
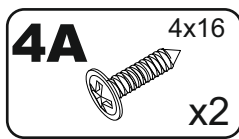
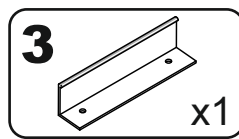
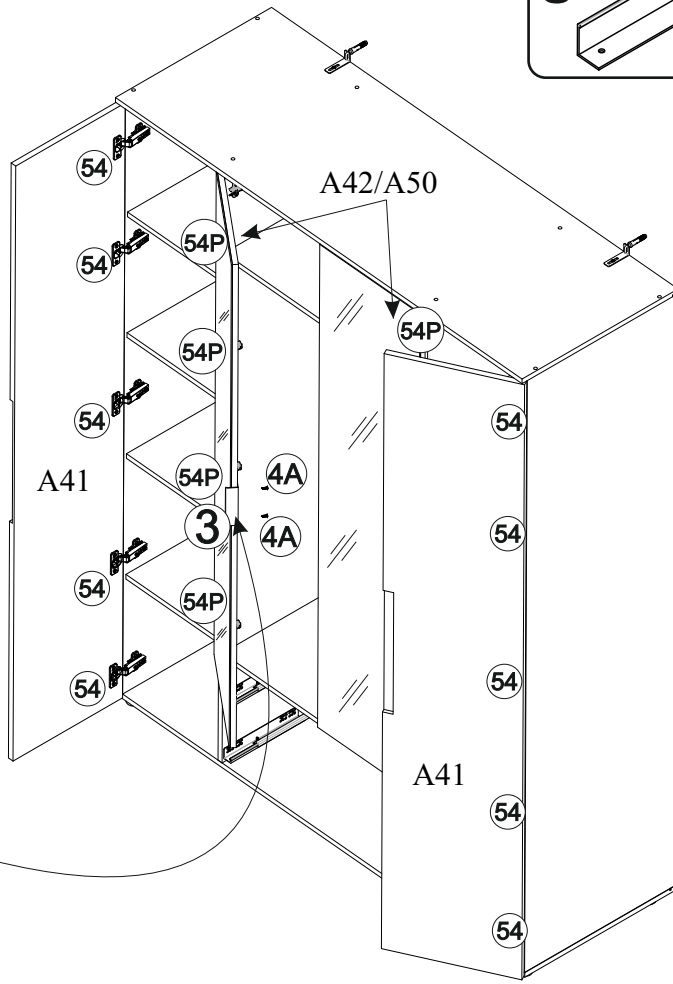
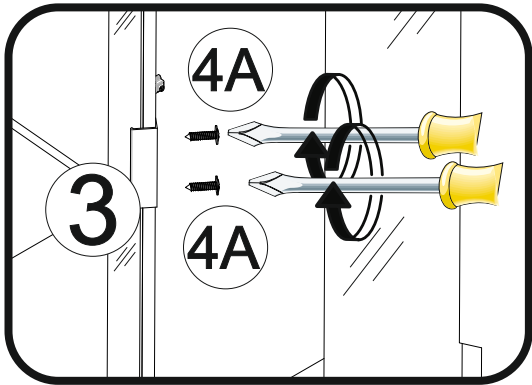
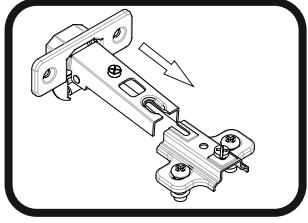
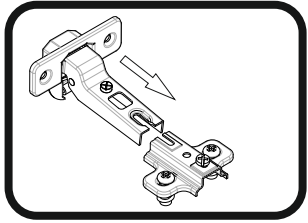
19



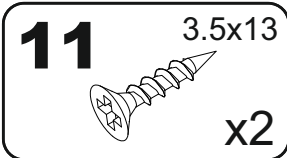
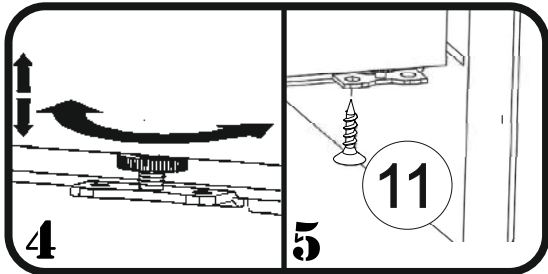
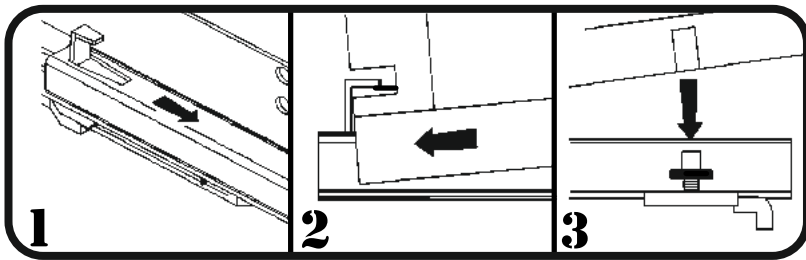
20



21



22



AS1

