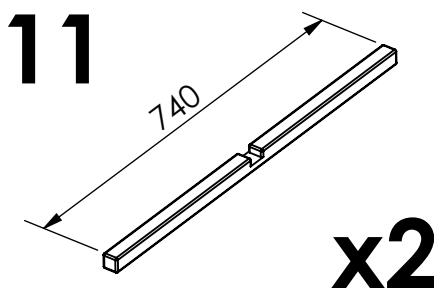
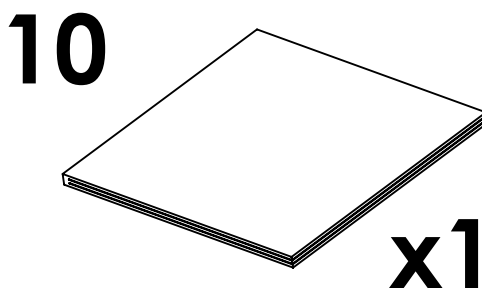
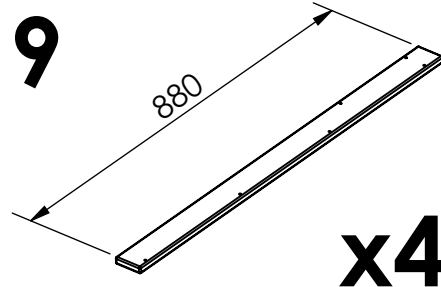
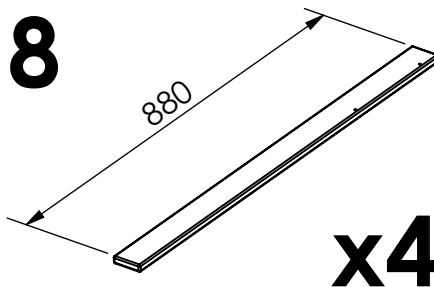
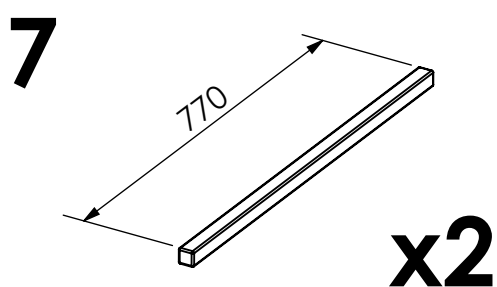
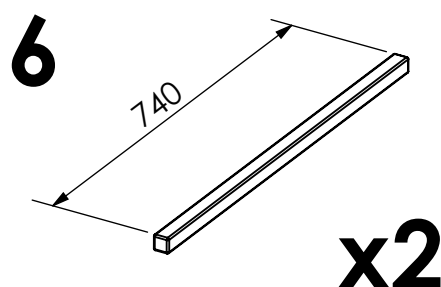
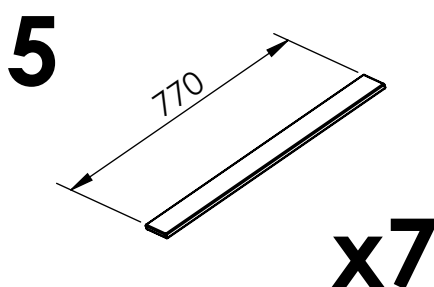
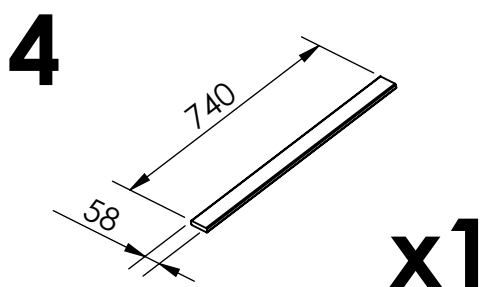
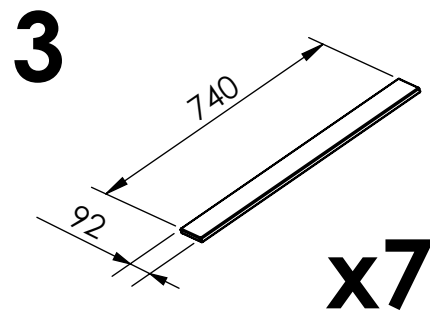
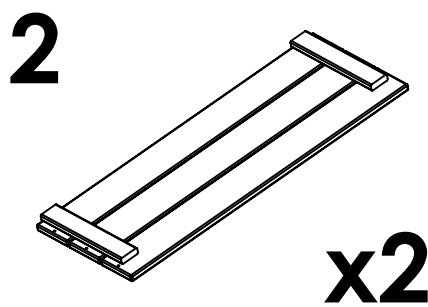
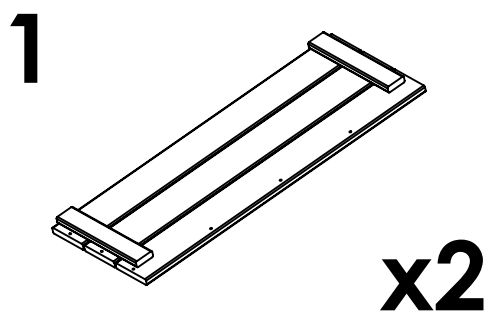
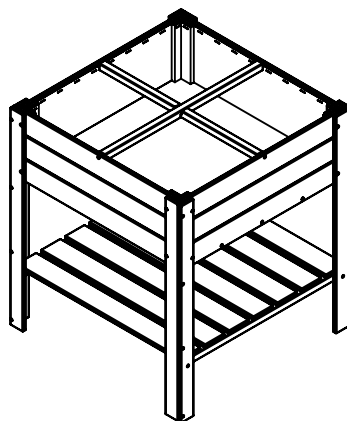
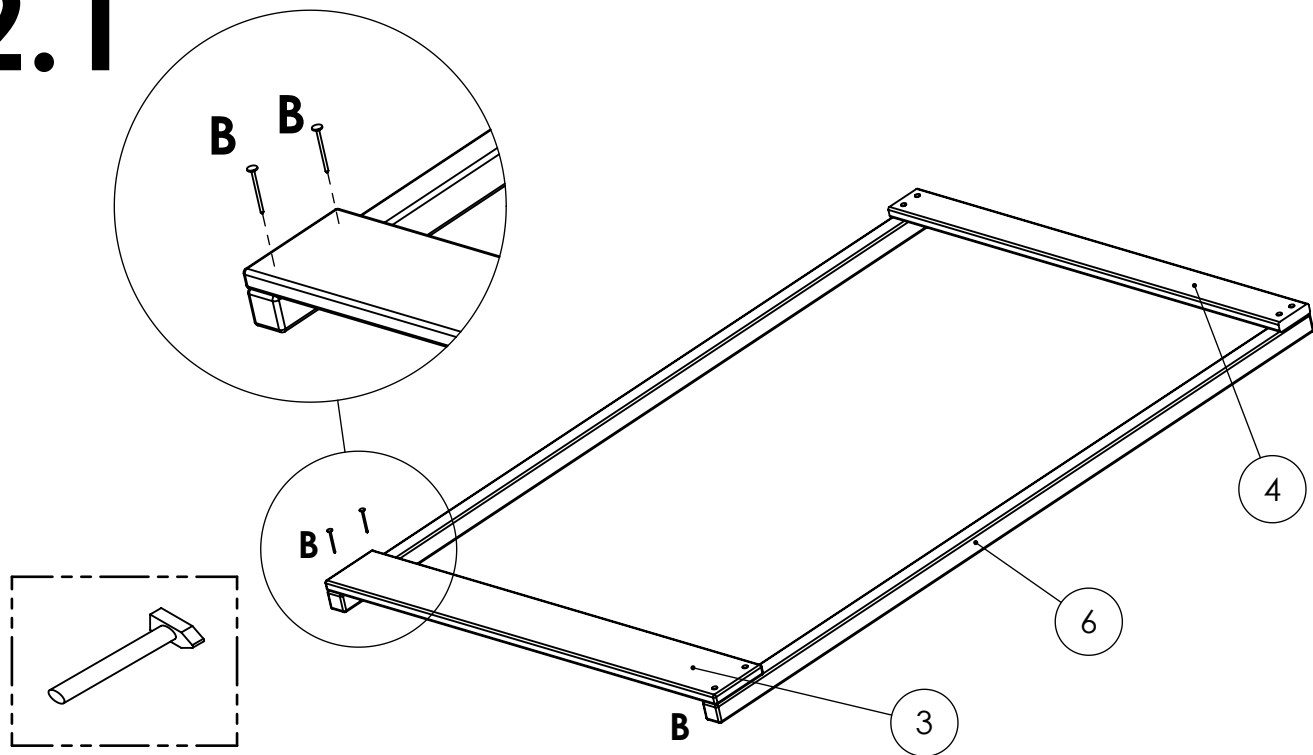


253394

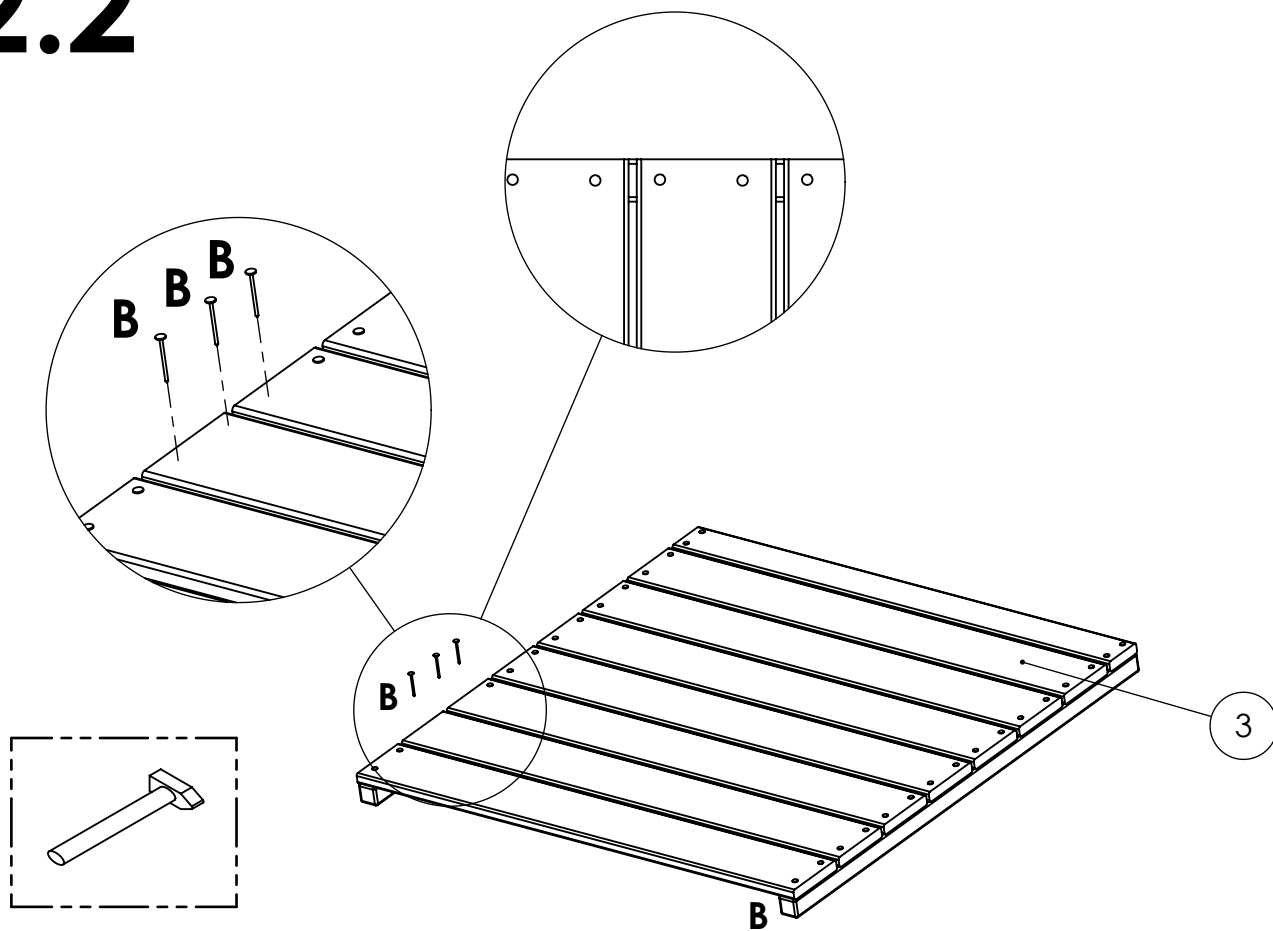


A		3.5x40	x58
B		1.8x32	x60

2.1

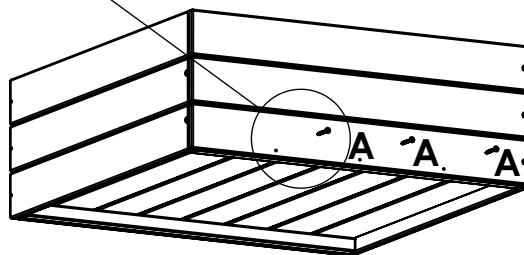
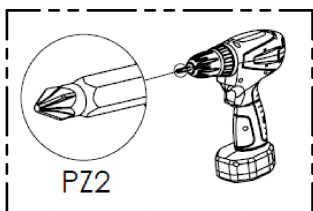
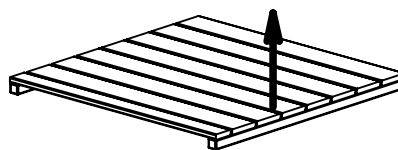
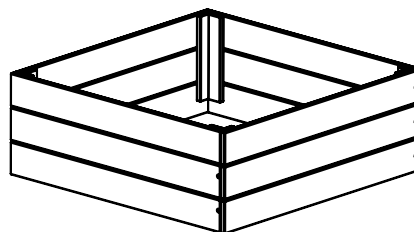
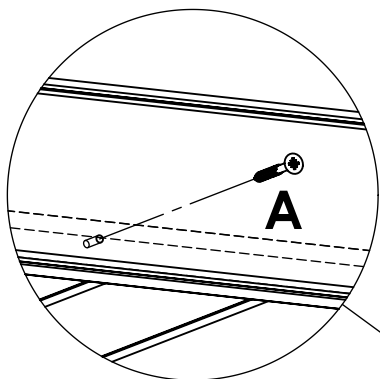


2.2



B		1.8x32	x32
---	---	--------	-----

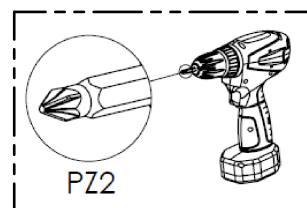
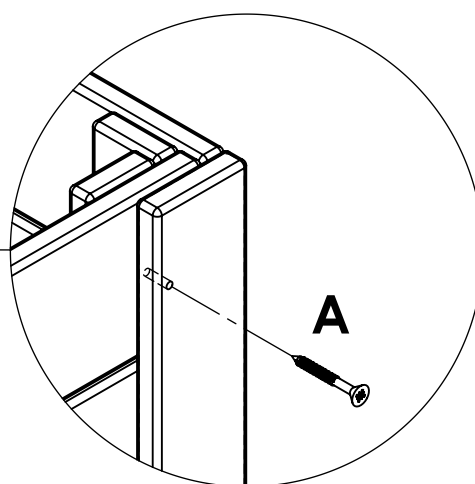
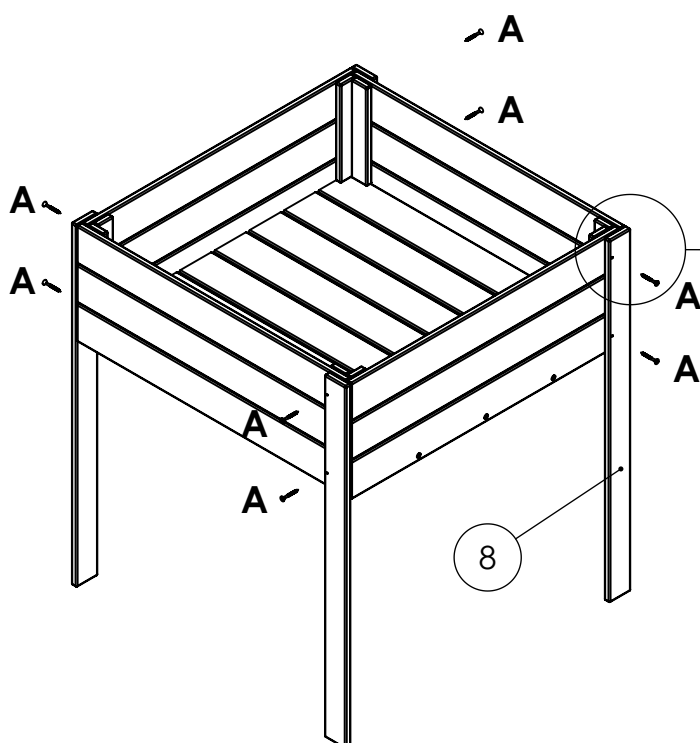
3



A A A

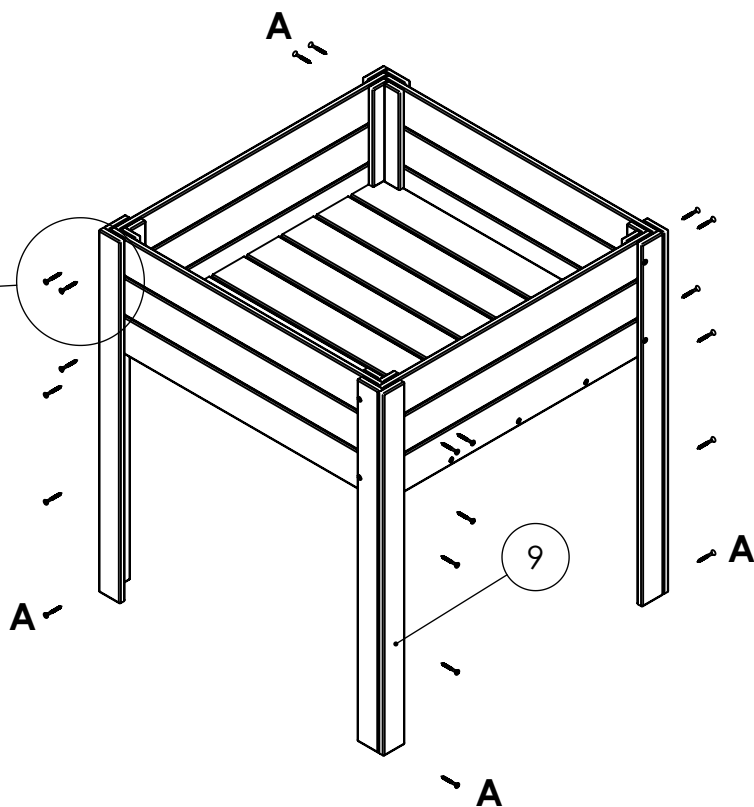
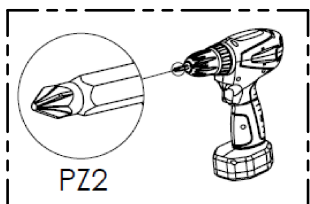
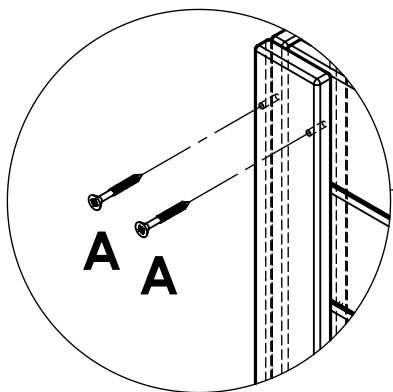
A		3.5x40	x6
---	--	--------	----

4



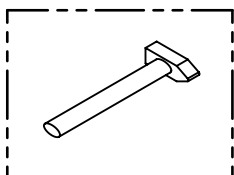
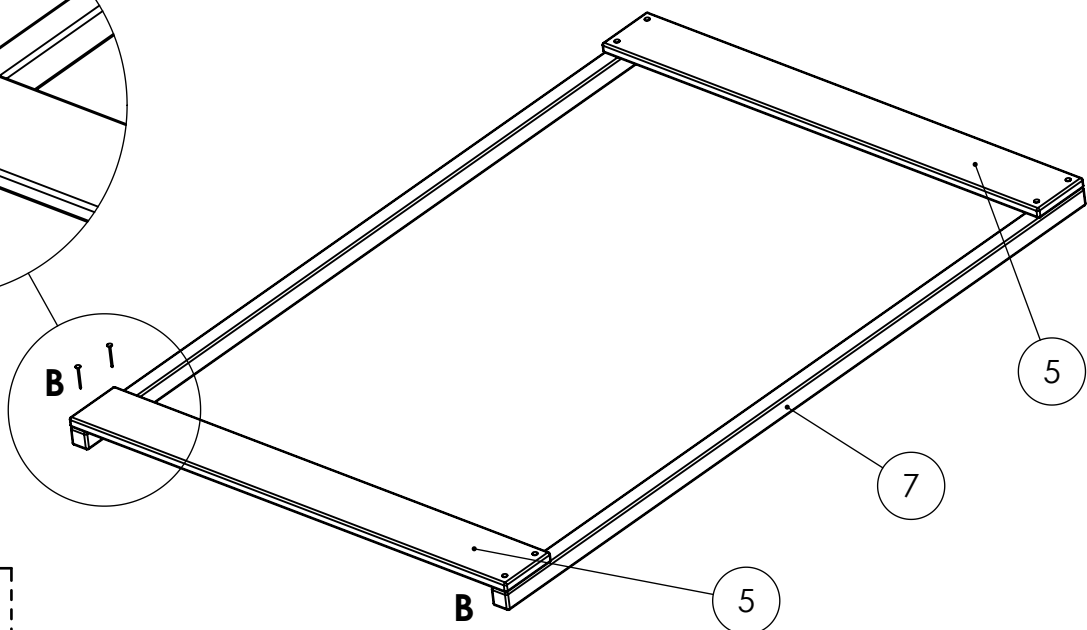
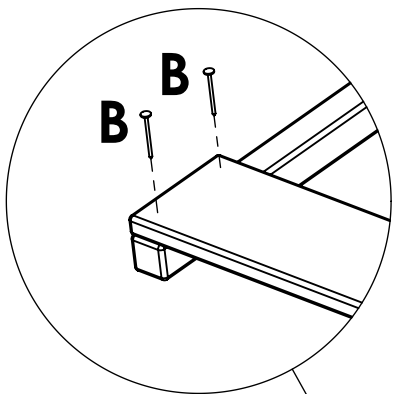
A		3.5x40	x8
---	---	--------	----

5

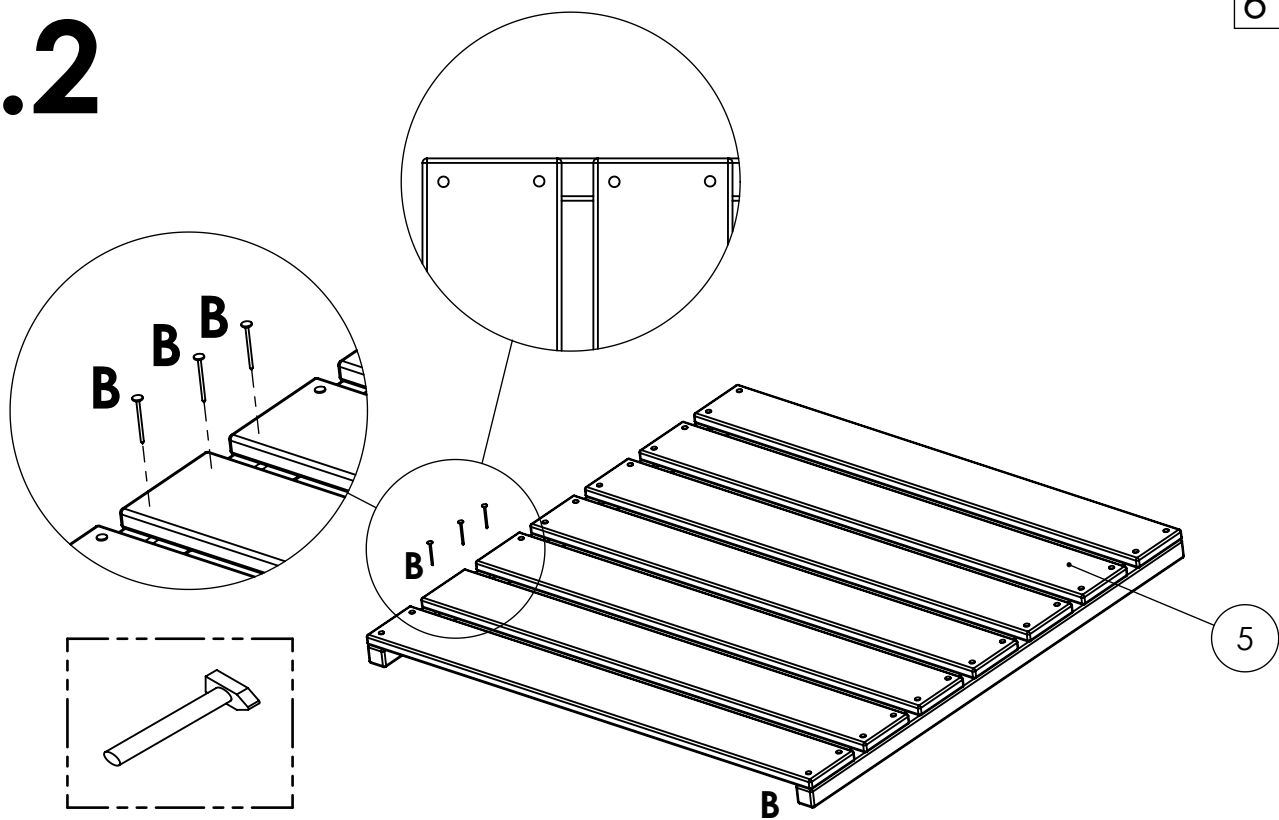


A		3.5x40	x24
---	---	--------	-----

6.1

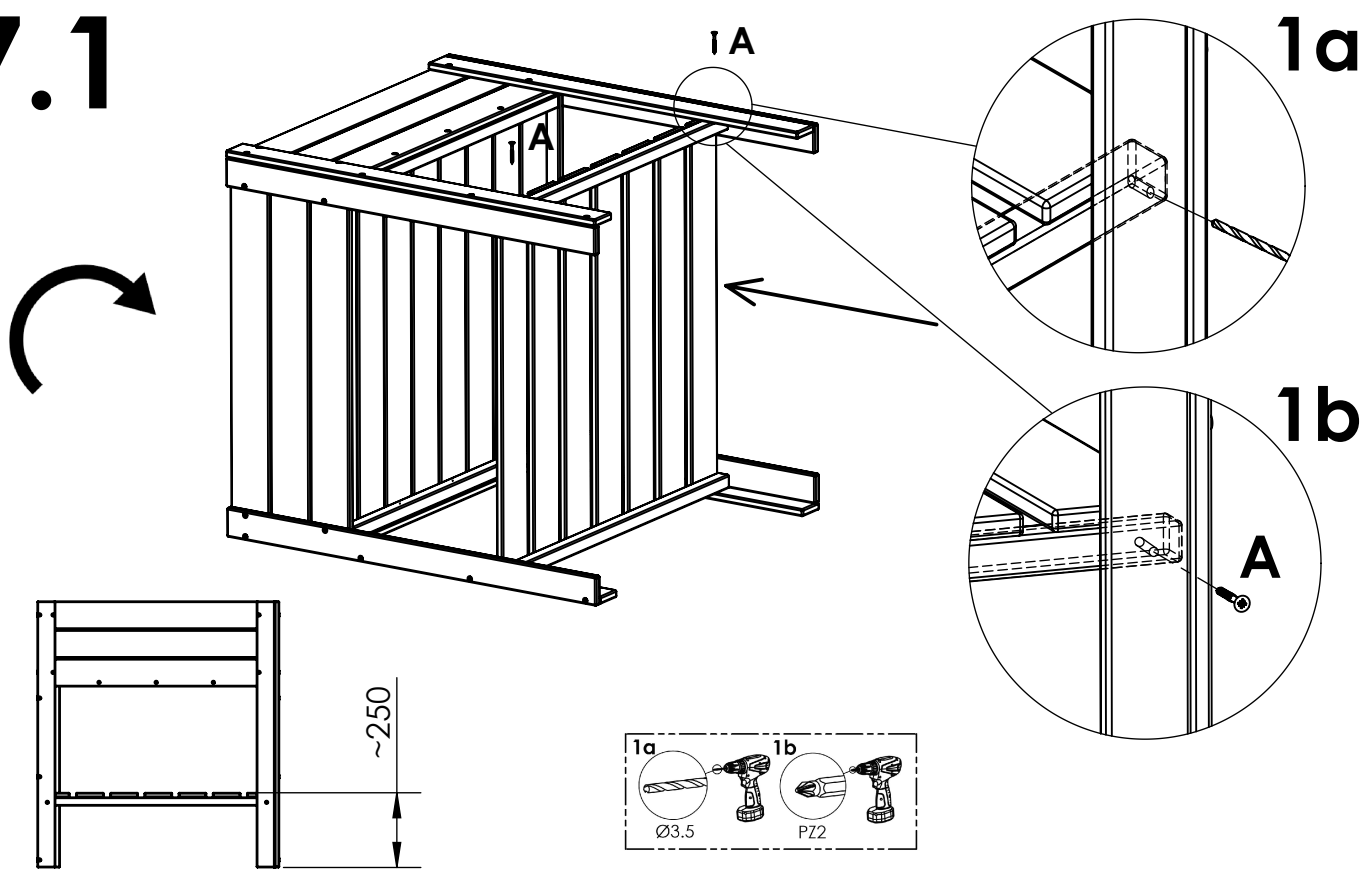


6.2



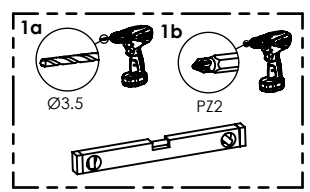
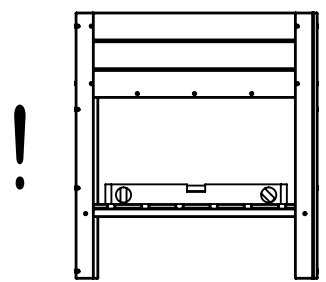
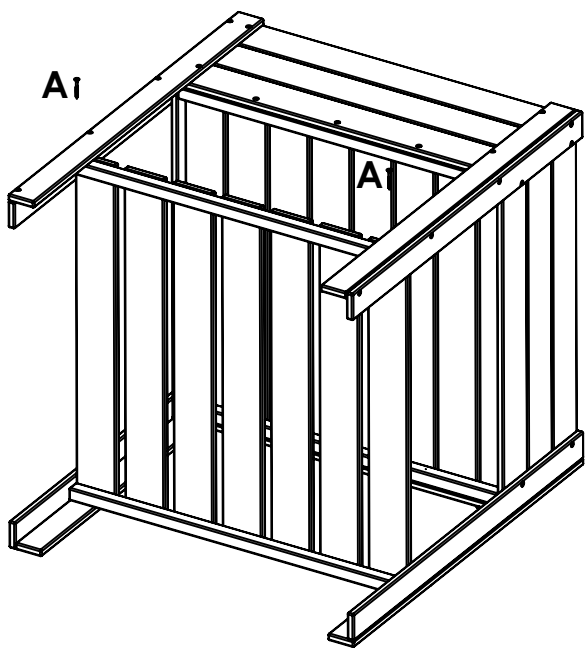
B		1.8x32	x28
---	---	--------	-----

7.1

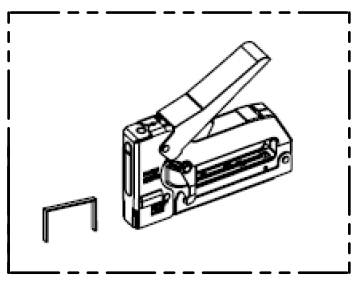
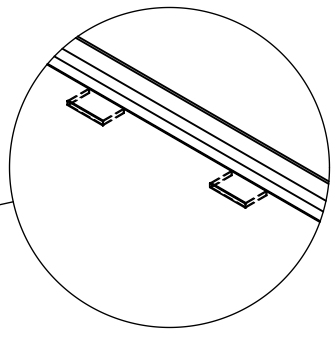
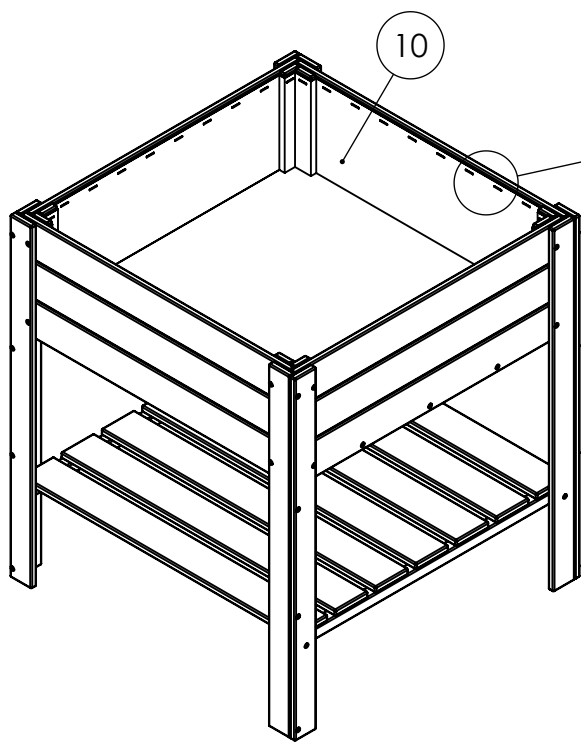
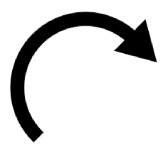


A		3.5x40	x2
---	---	--------	----

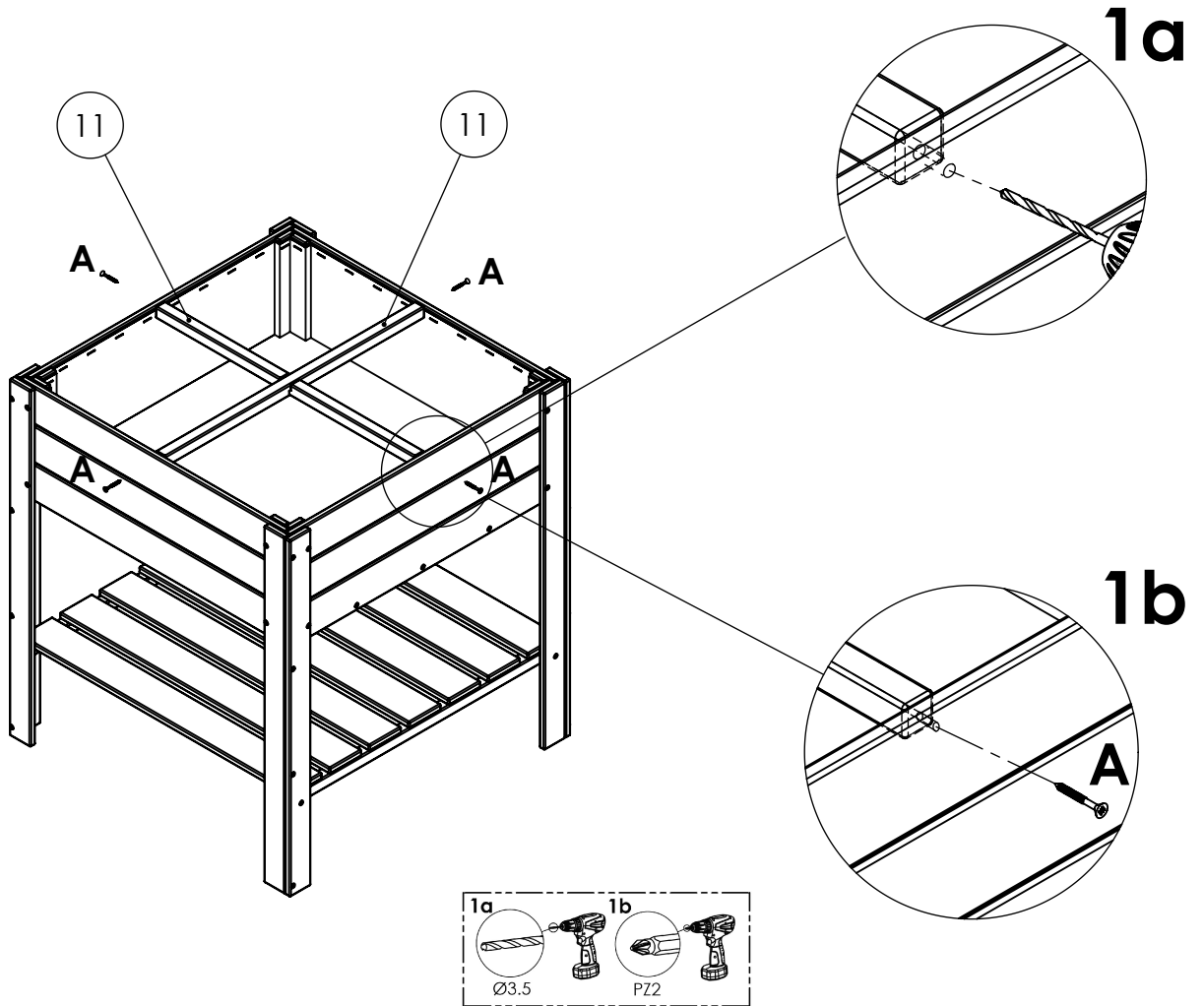
7.2



A		3.5x40	x2
---	---	--------	----



9



A		3,5x40	x4
---	---	--------	----