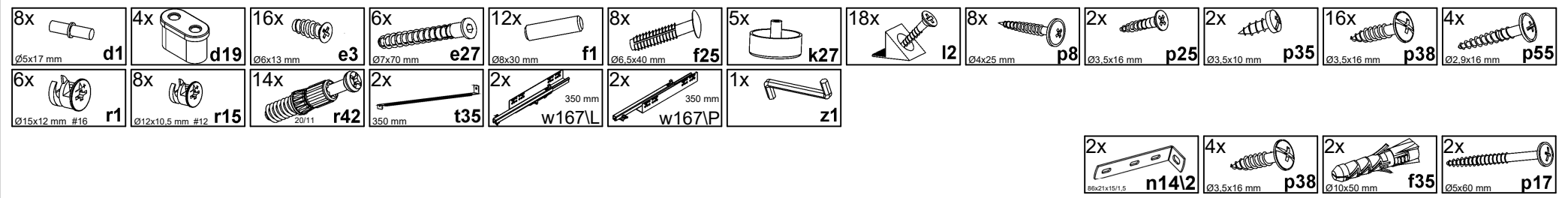
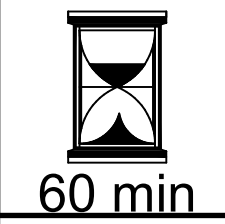
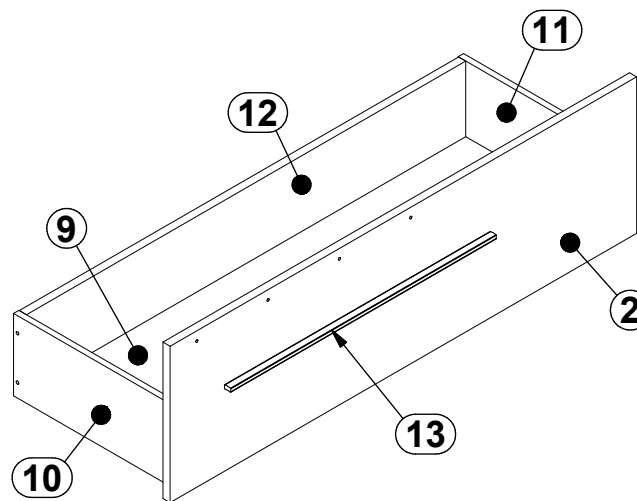
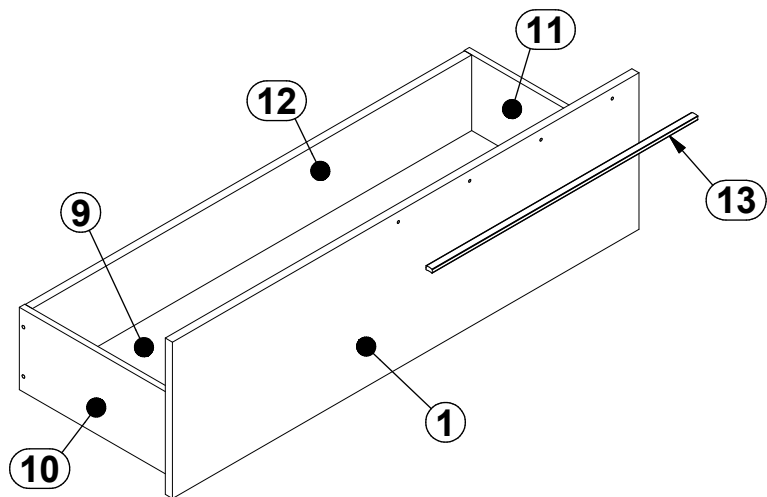
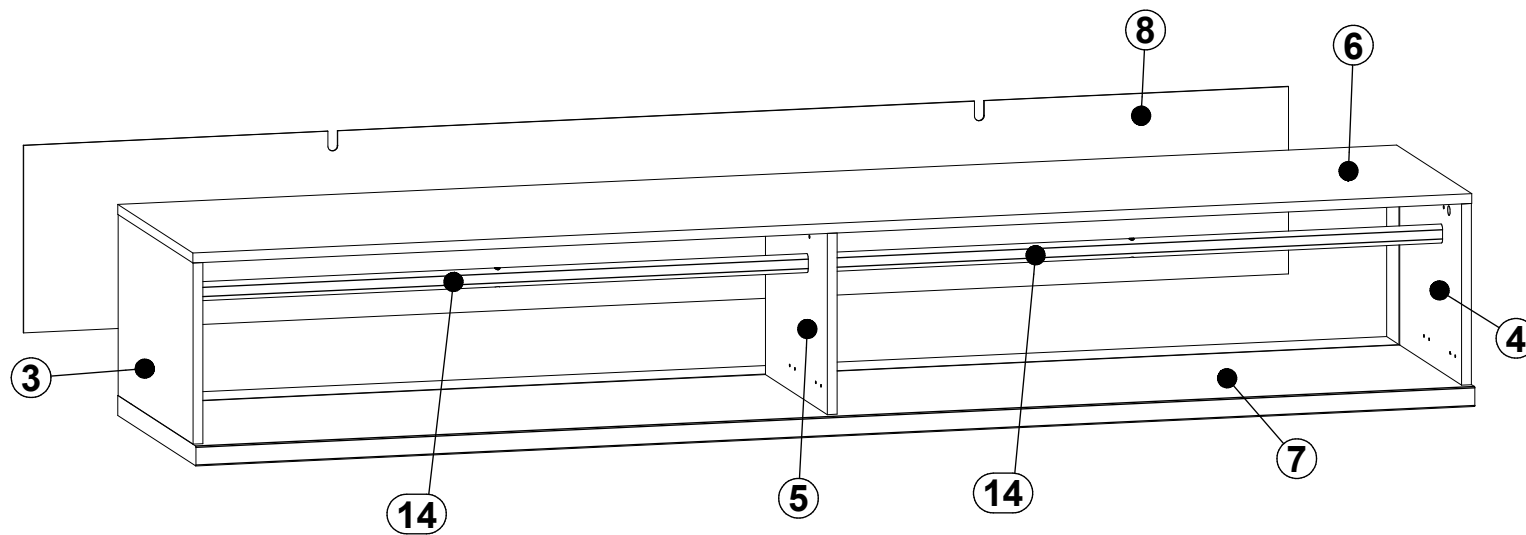
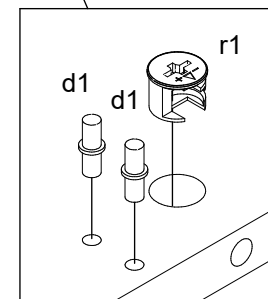
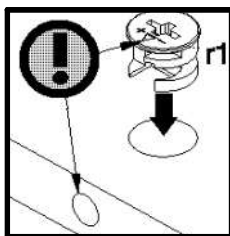
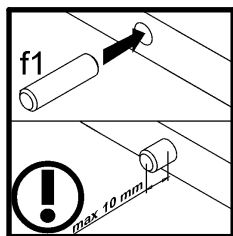
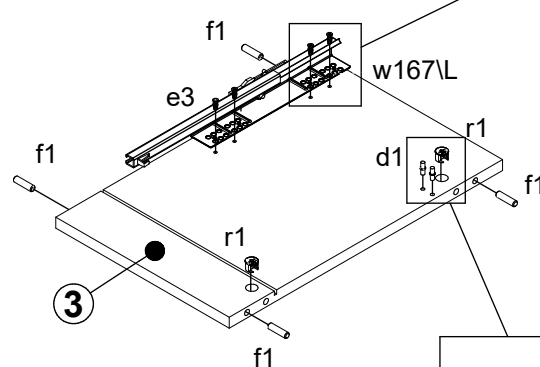
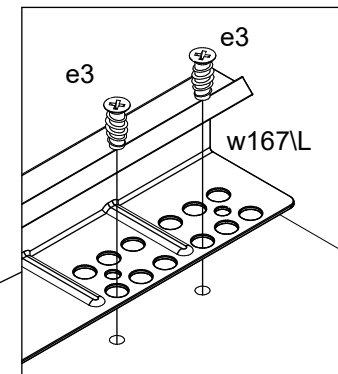
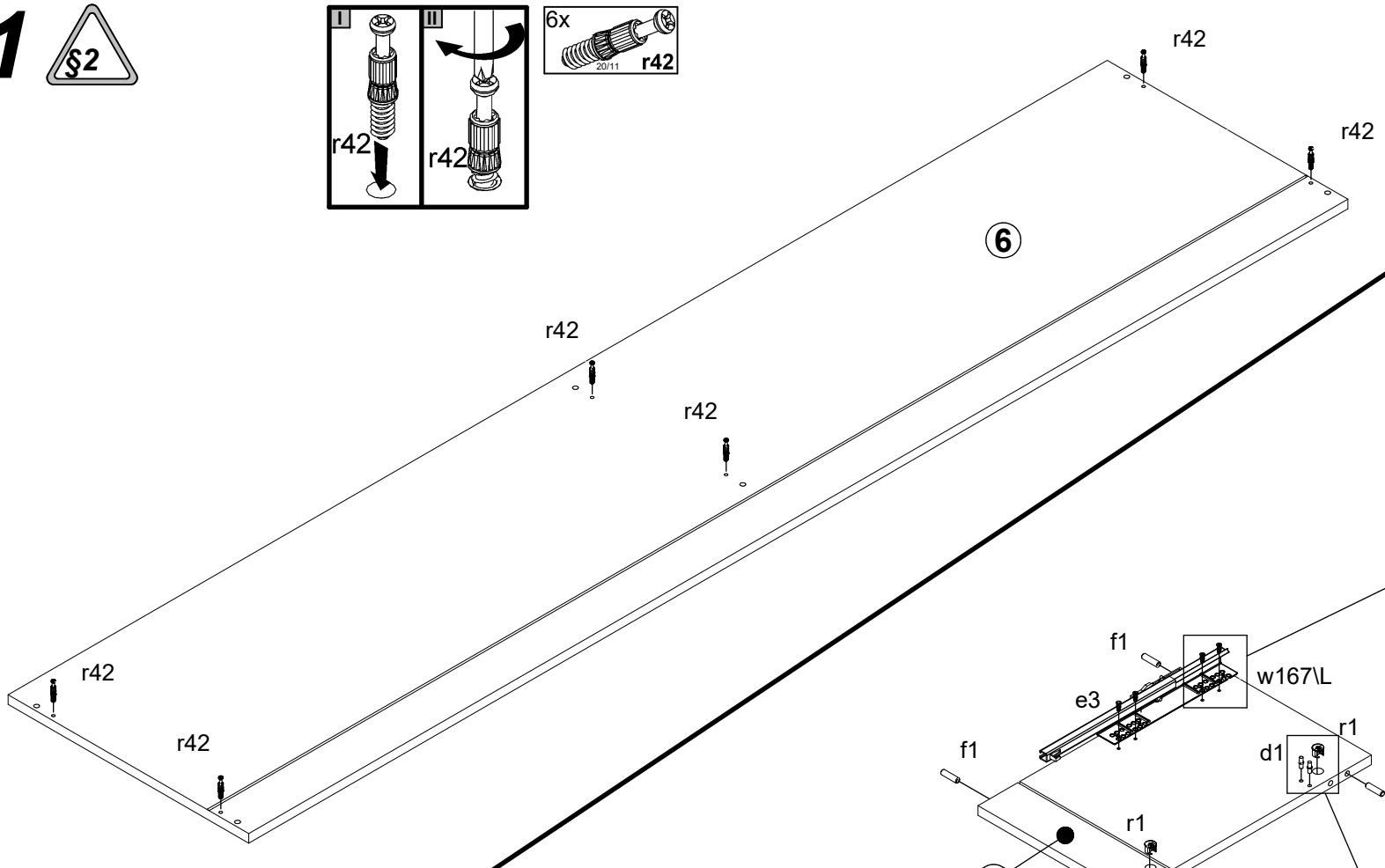
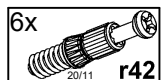
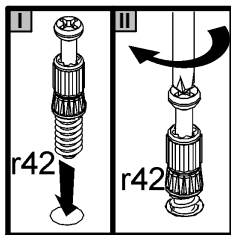


A	B	C (mm)		D
1	S288-0003	304	1047	1/6
2	S288-0004	304	1047	1/6
3	S288-1010	292	460	1/6
4	S288-1011	292	460	1/6
5	S288-1012	292	380	1/6
6	S288-2005	2101	460	2/6
7	S288-2006	2101	479	2/6
8	S288-9004	302	2078	2/6
9	WSP-9194	996	358	1/6
10	WSQ5-505	350	160	1/6
11	WSQ5-506	350	160	1/6
12	WTQ-5270	986	147	1/6
13	c223\13			1/6
14	wp-1018	1018	30	1/6

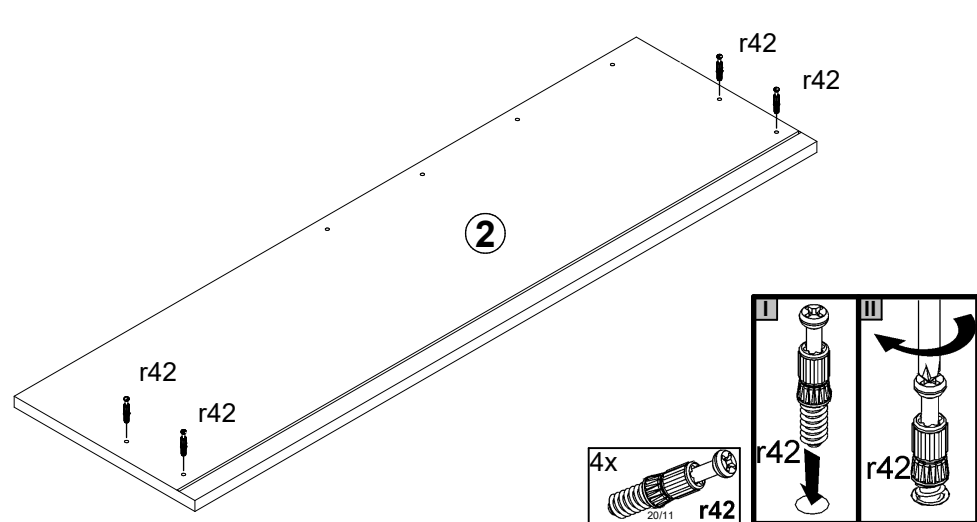
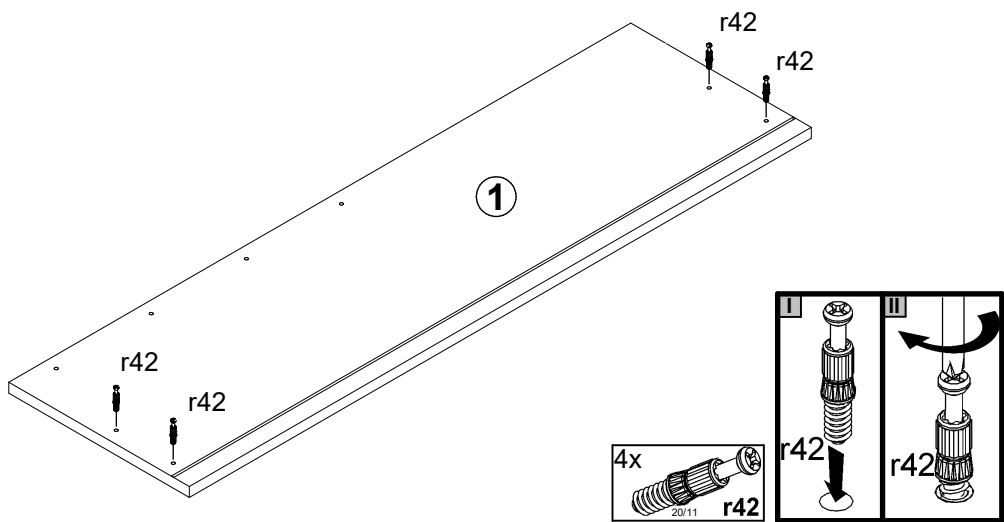
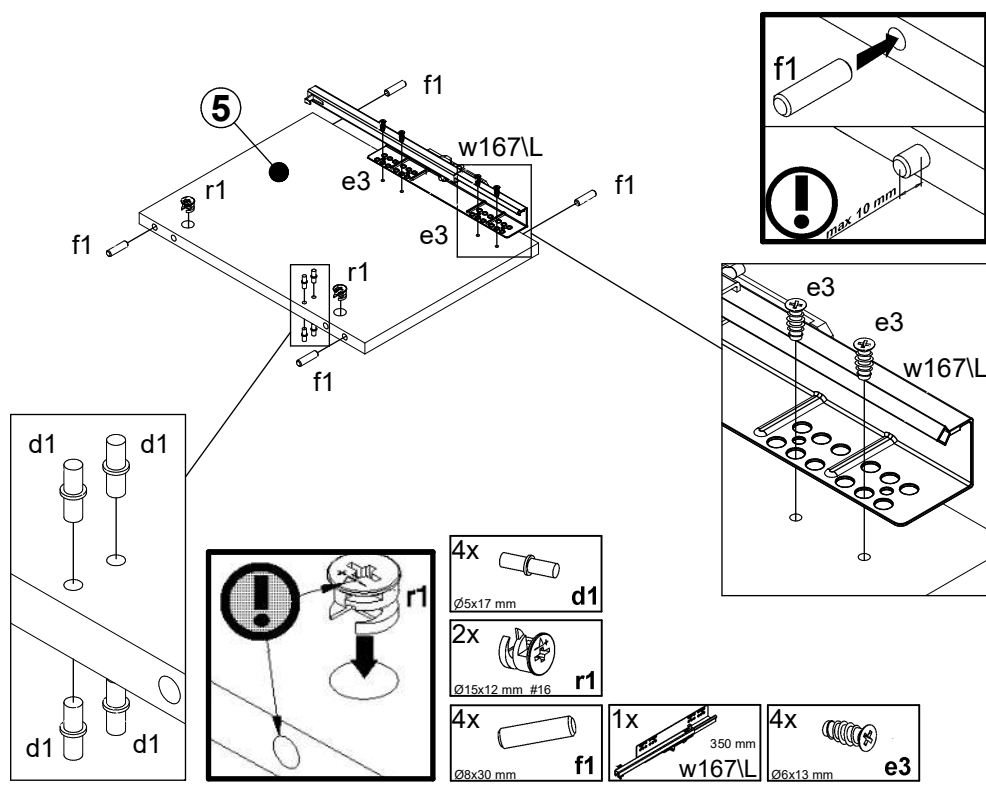
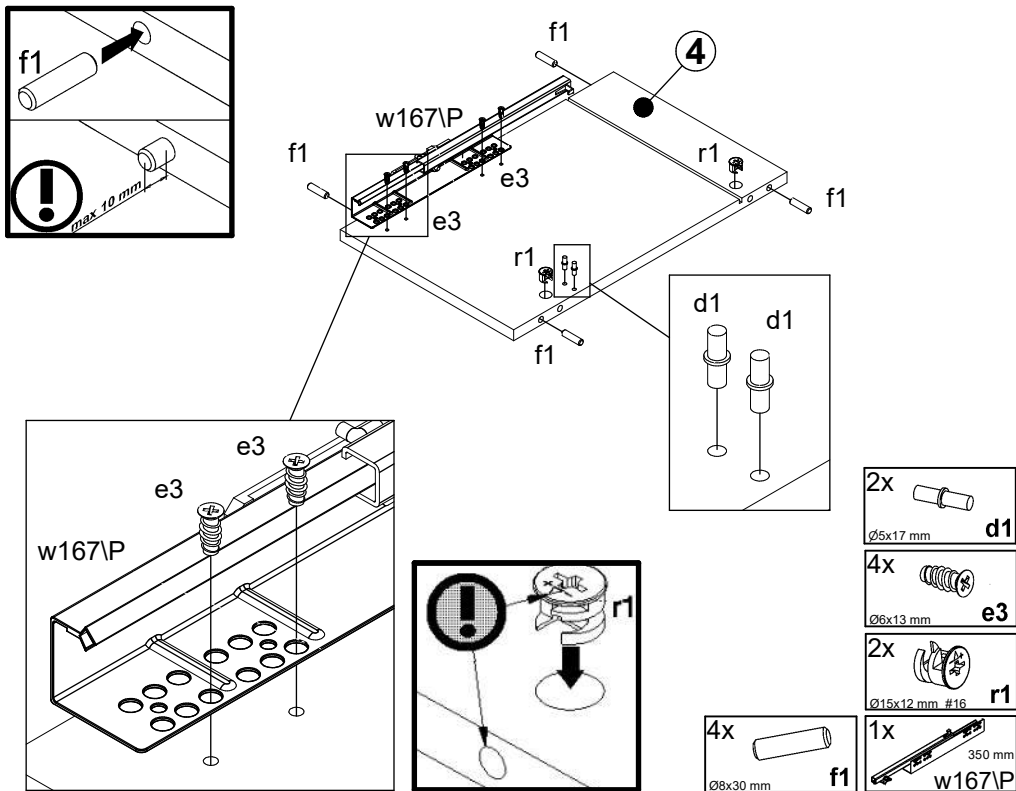




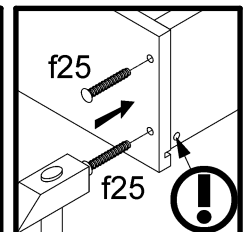
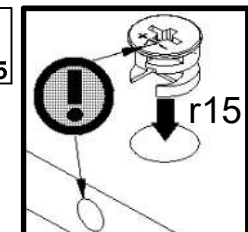
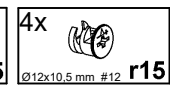
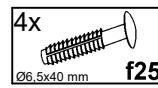
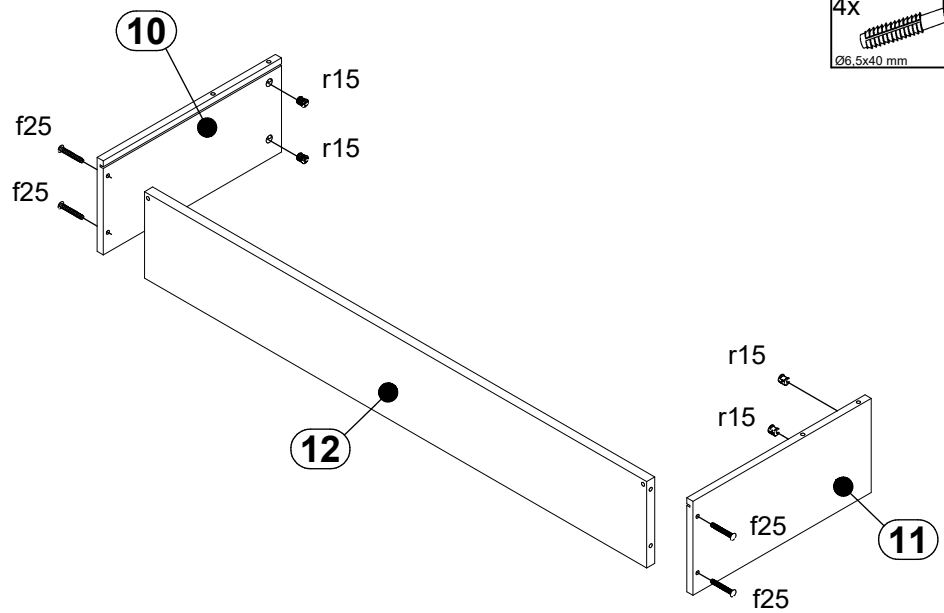
1



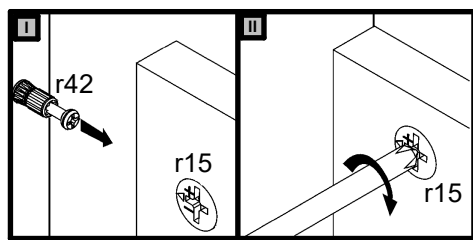
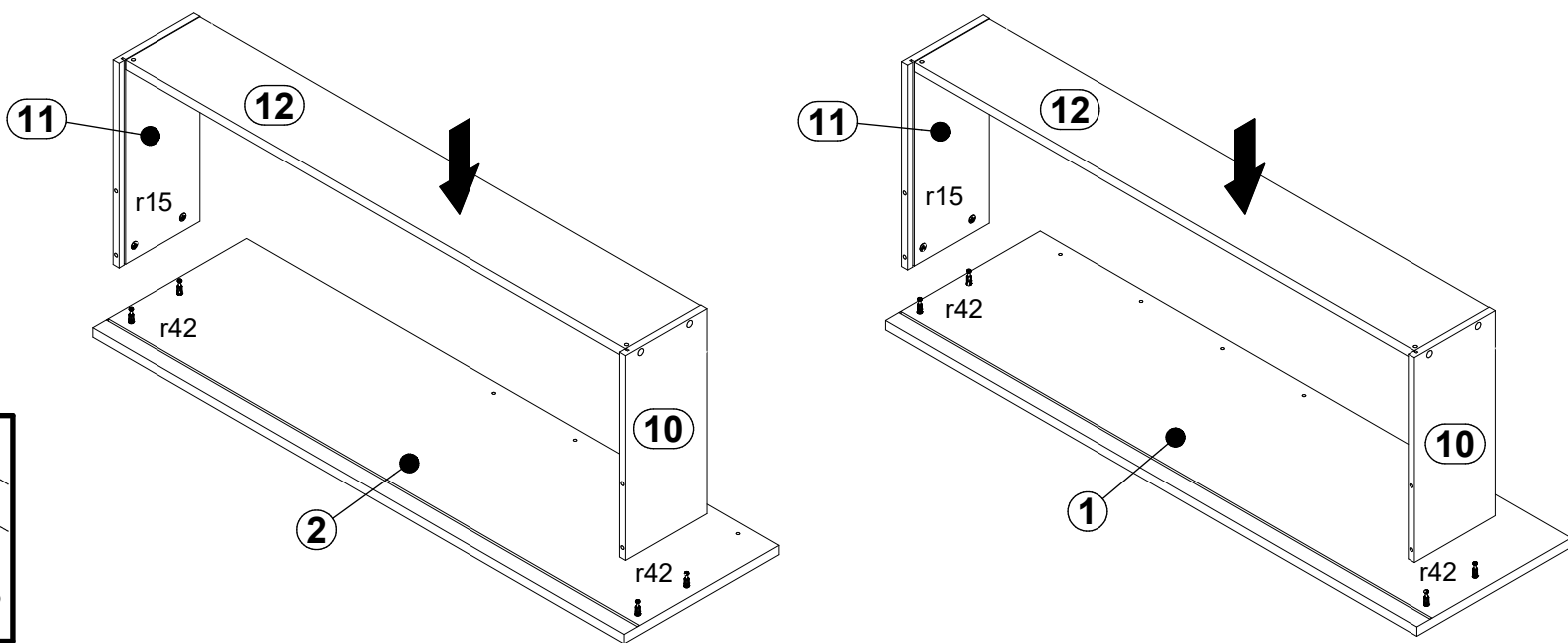
- 2x **d1**
Ø5x17 mm
- 4x **e3**
Ø6x13 mm
- 1x **w167L**
350 mm
- 2x **r1**
Ø15x12 mm #16
- 4x **f1**
Ø8x30 mm

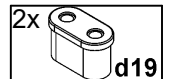
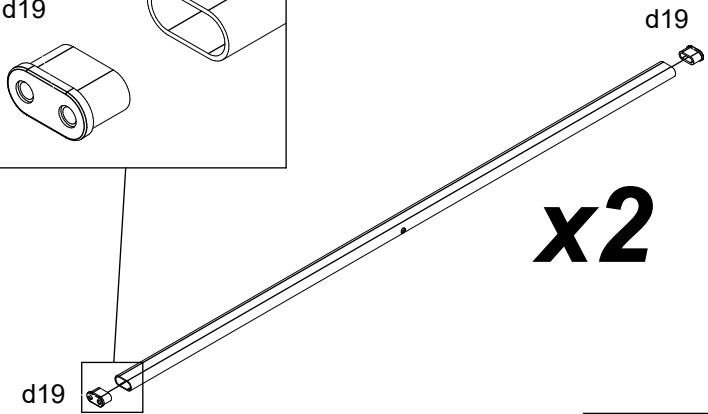
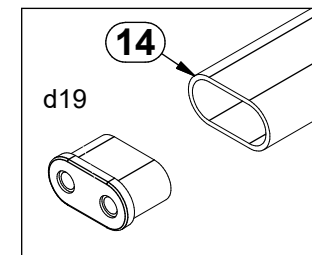
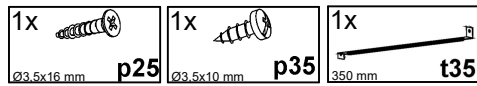
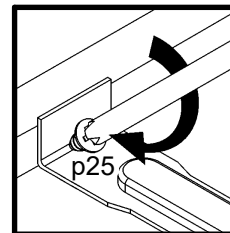
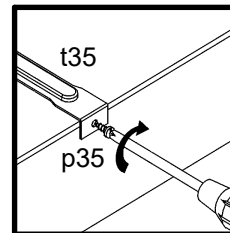
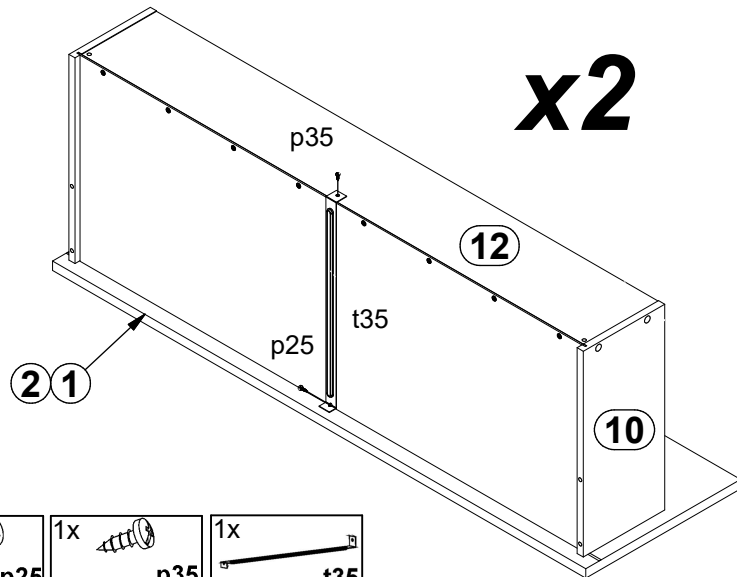
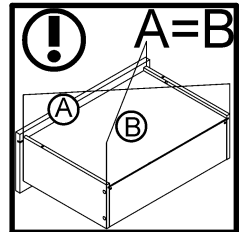
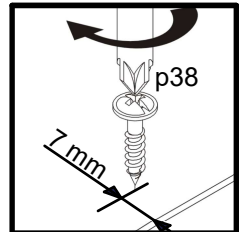
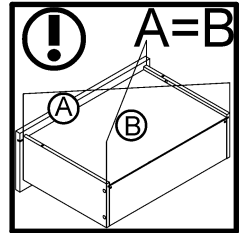
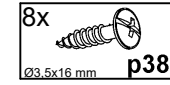
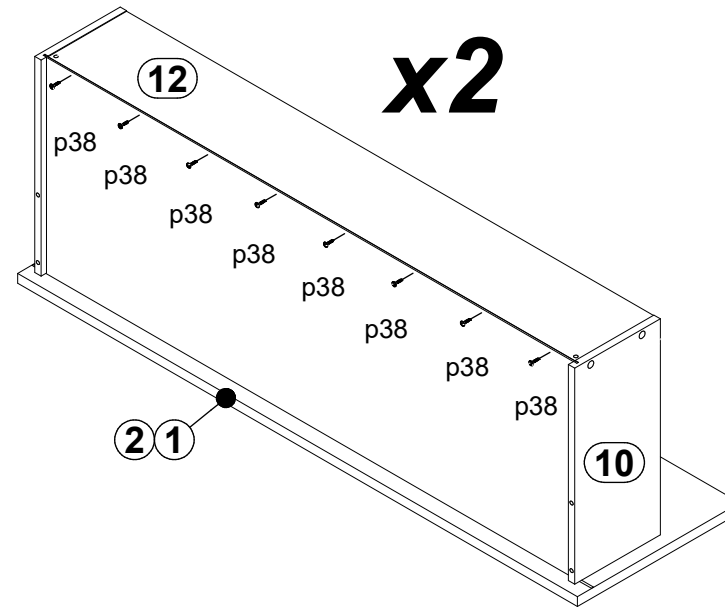
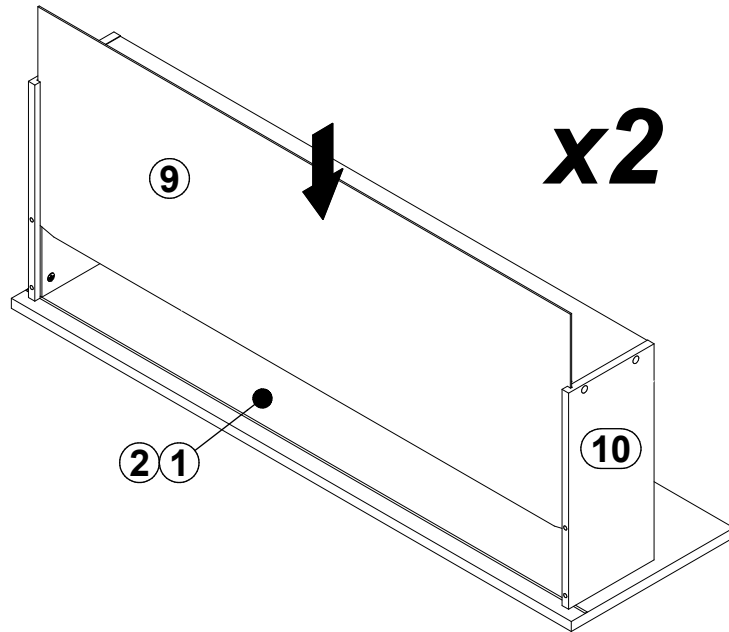


I



II

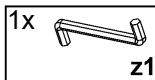
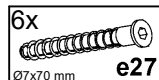
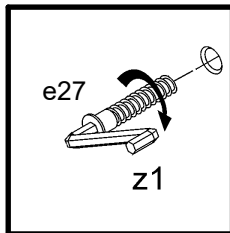
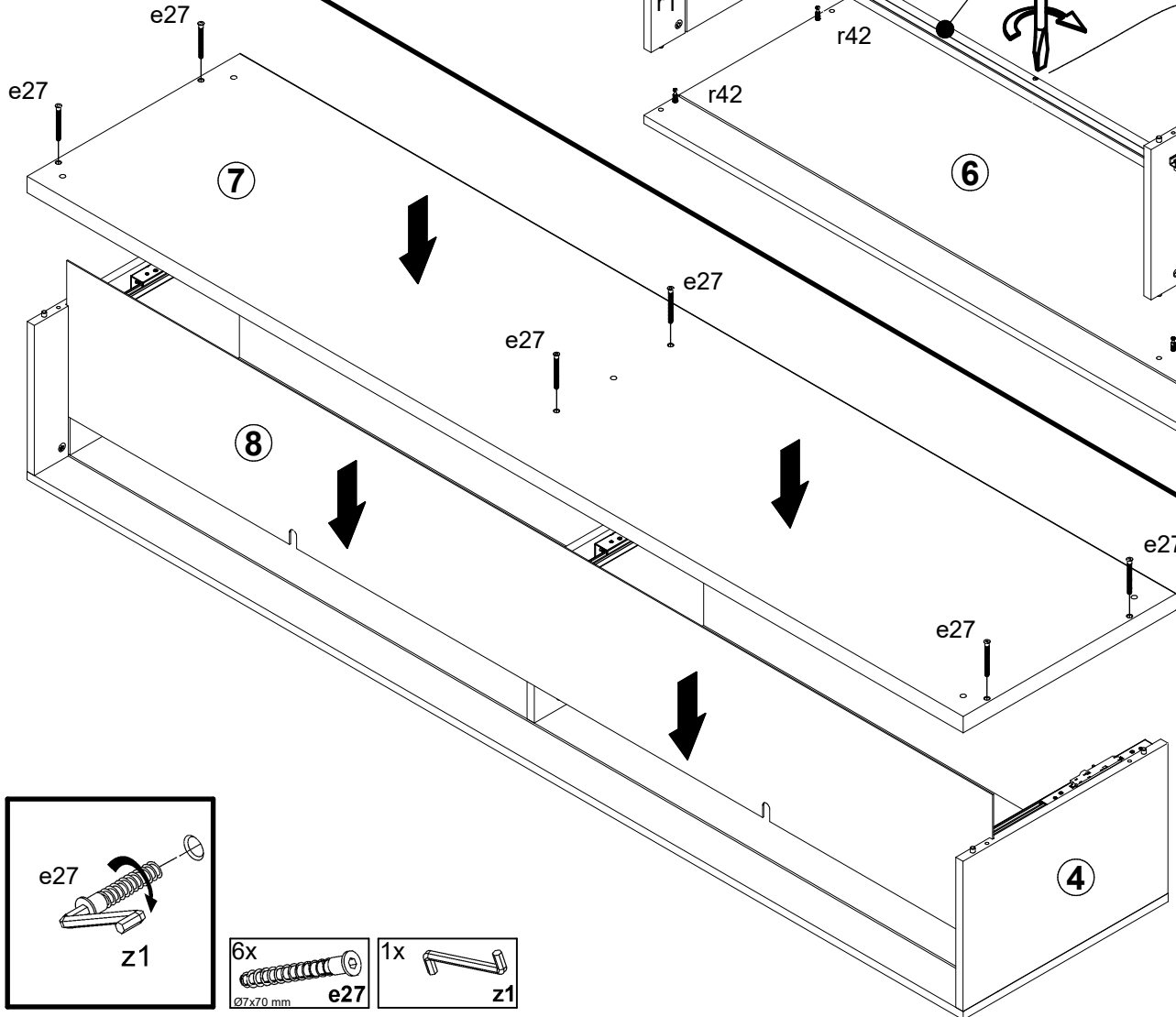
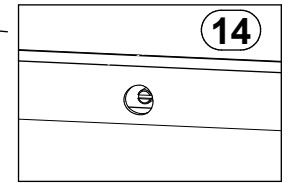
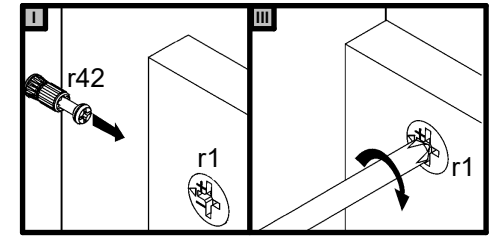
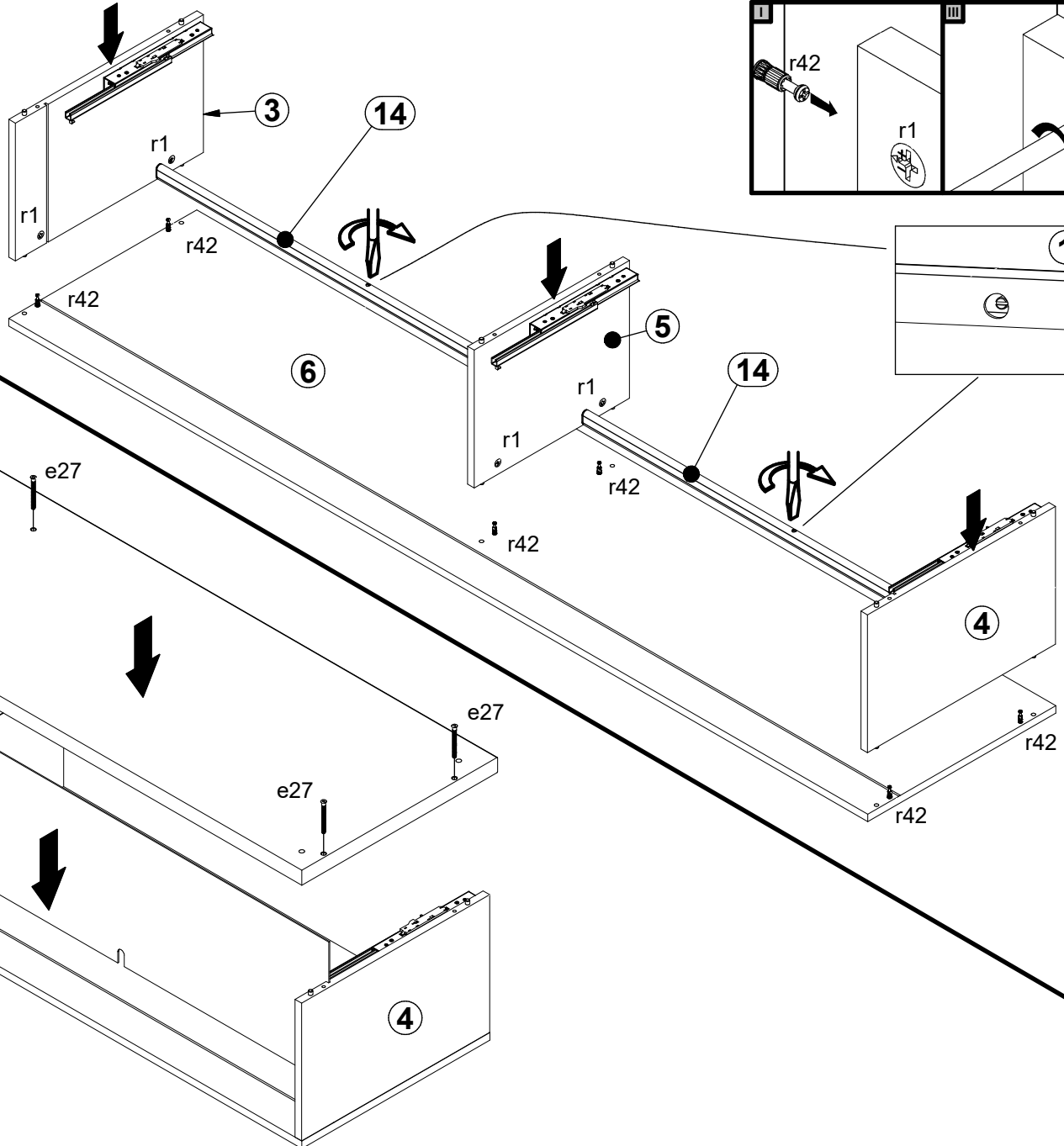




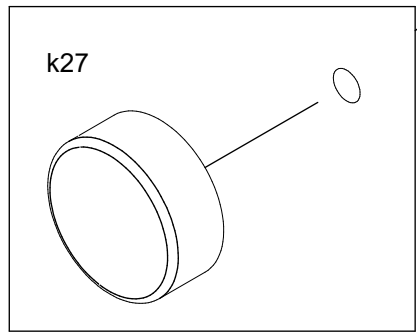
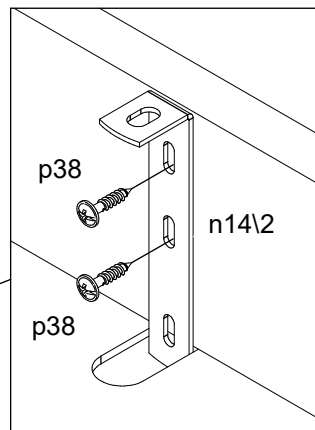
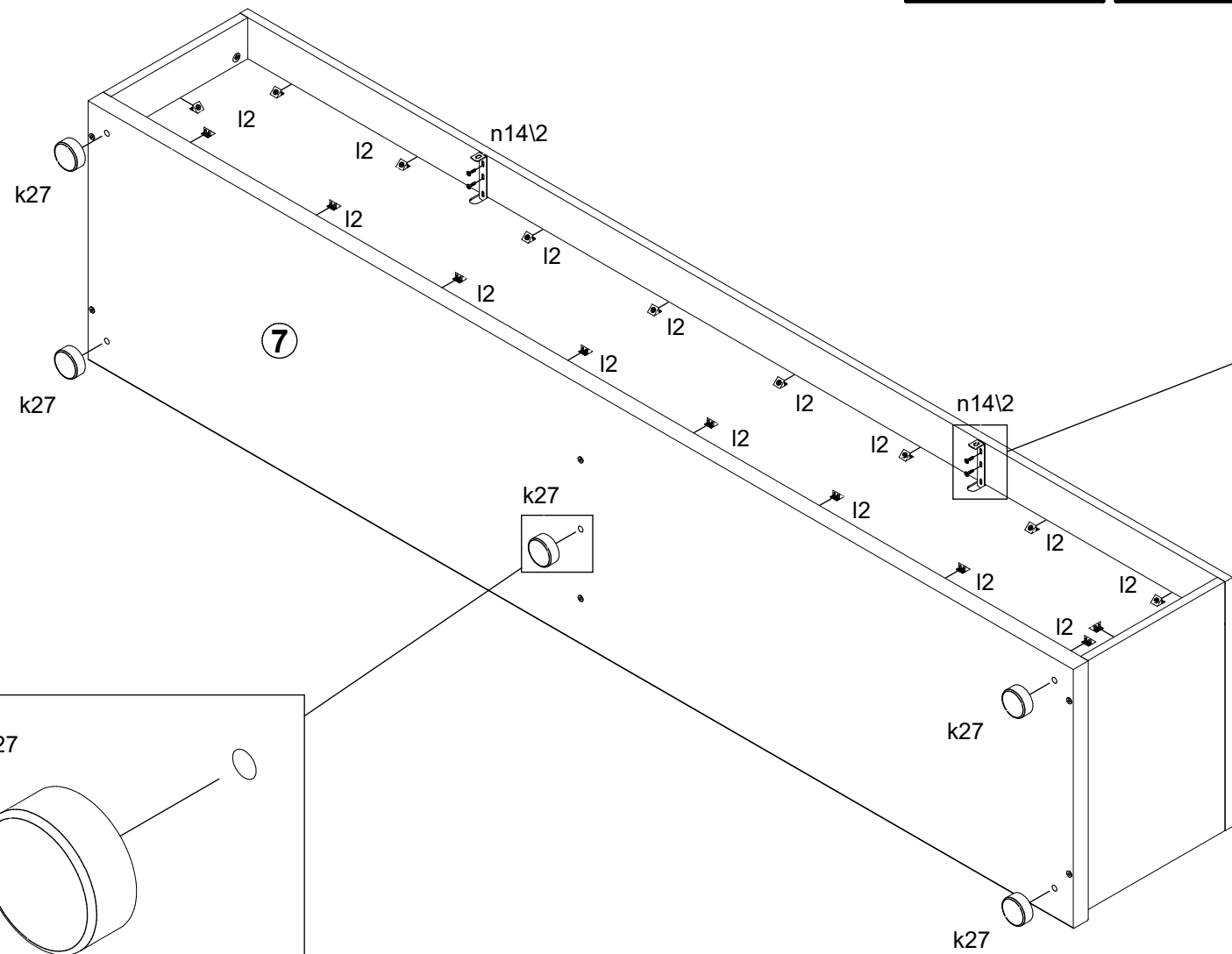
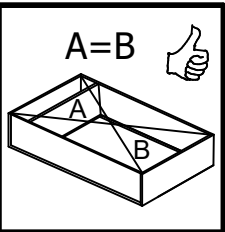
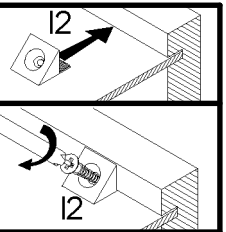
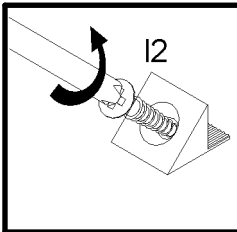
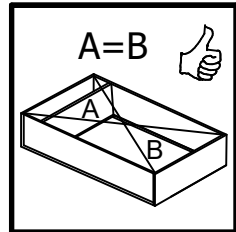
2



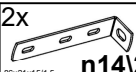
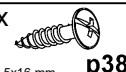


3

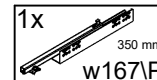
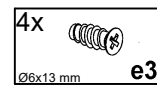
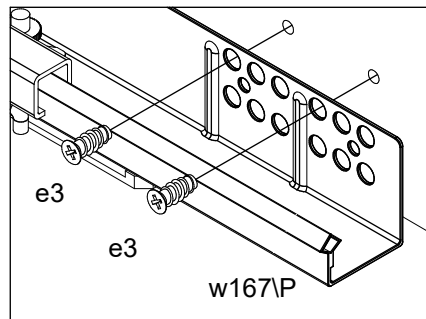
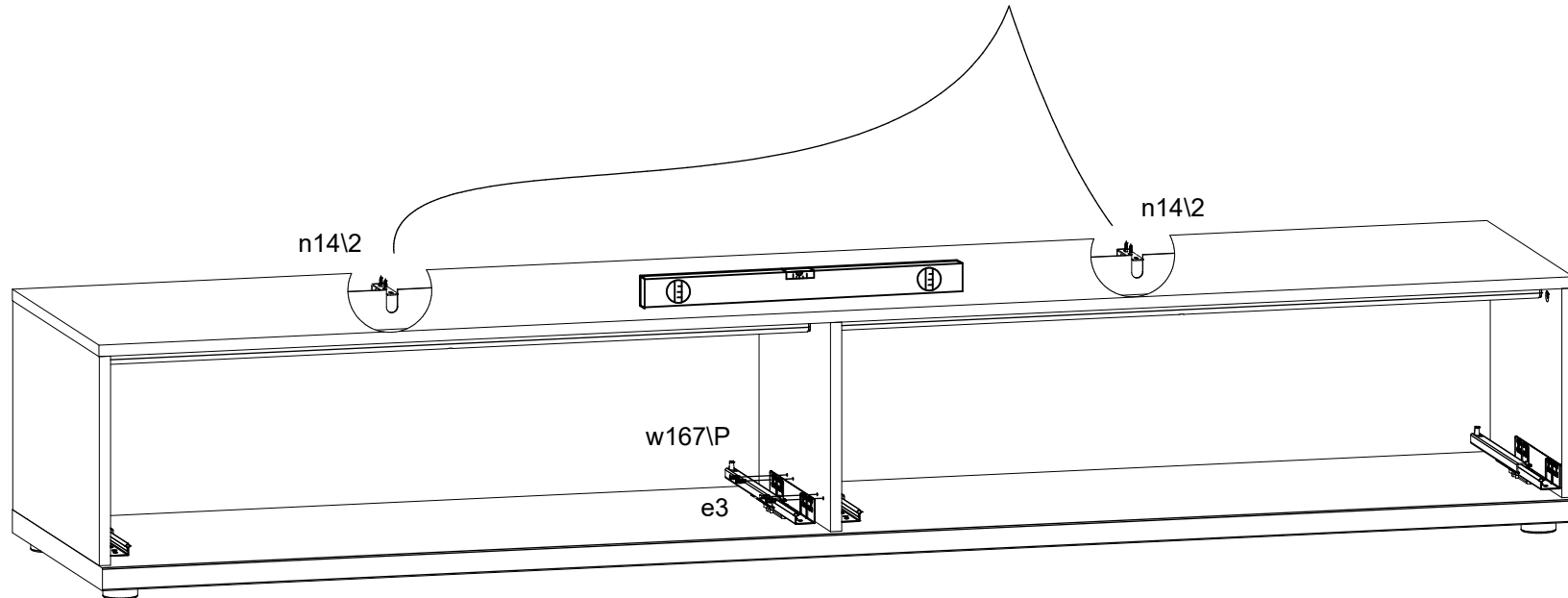
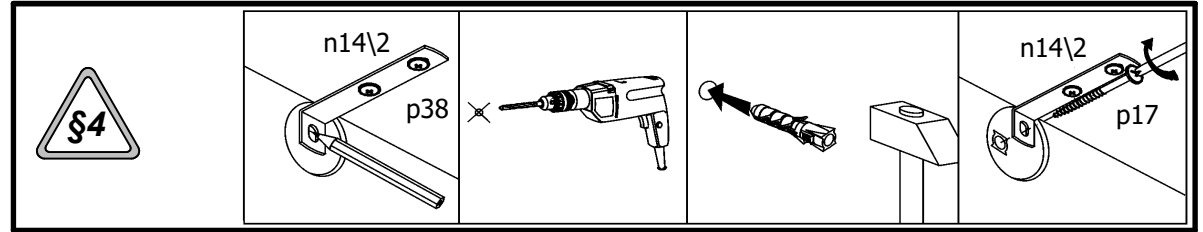
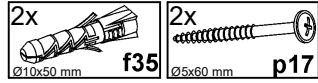


4

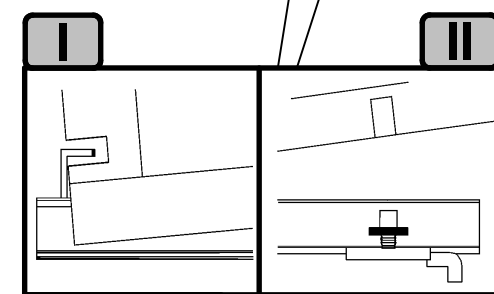
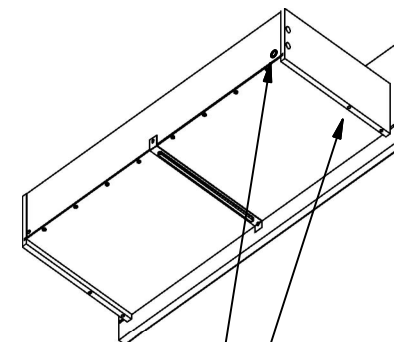
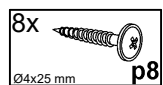
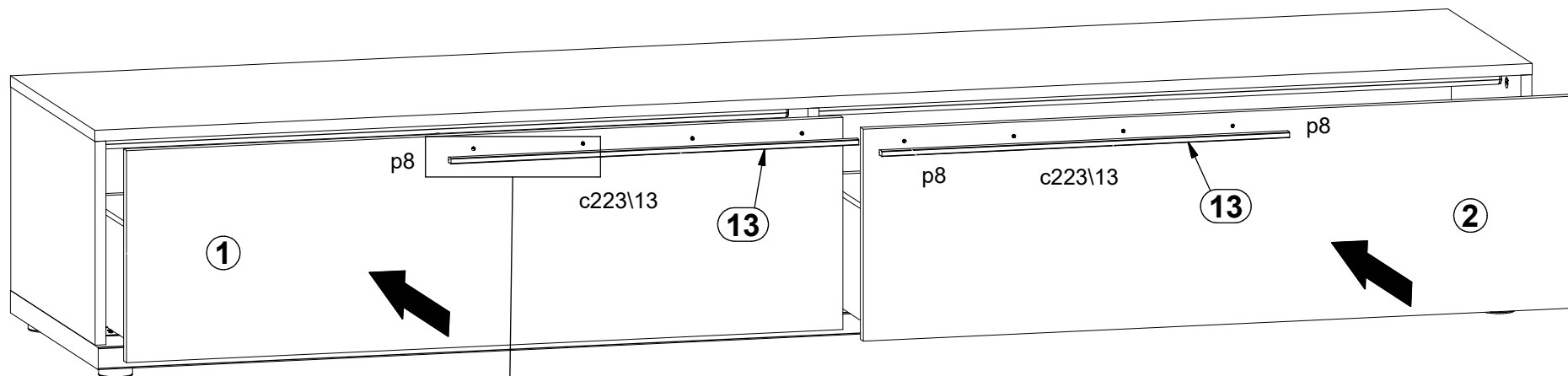


- | | |
|--|--|
| 18x

I2 | 5x

k27 |
| 2x

n14\2 | 4x

p38 |

5



6



7

