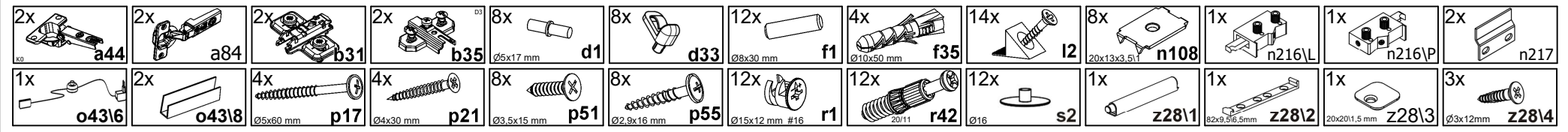
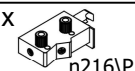
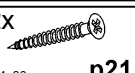



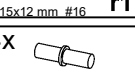
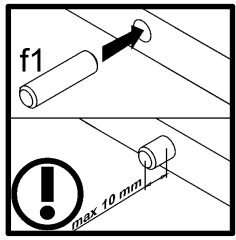
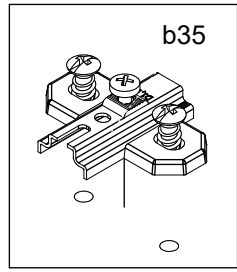
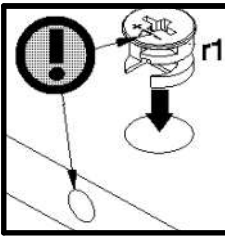
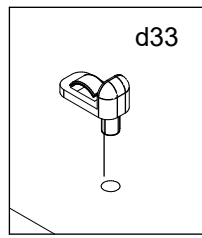
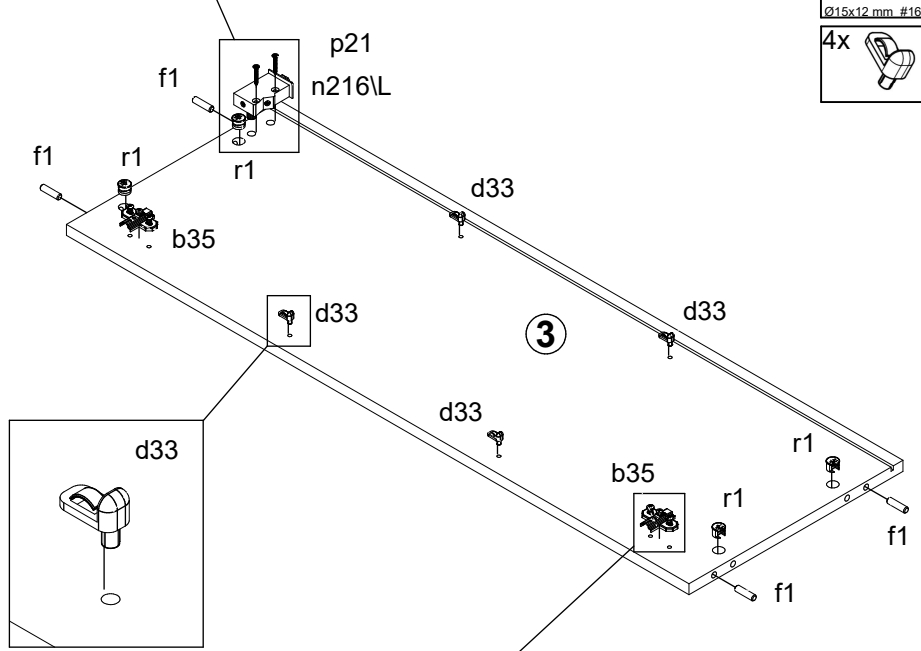
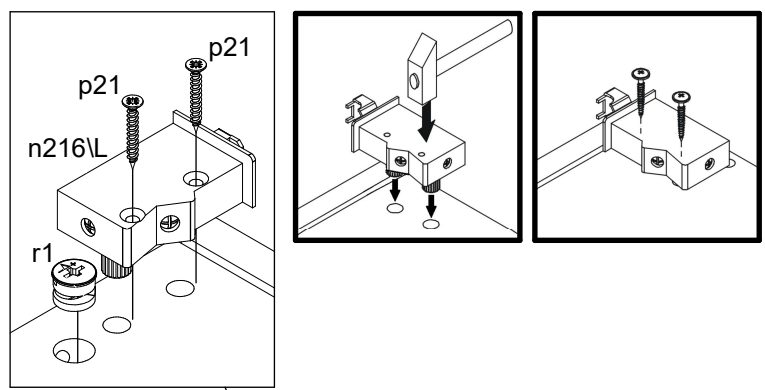
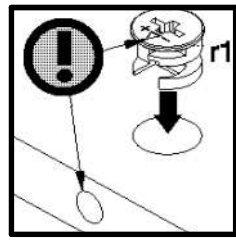
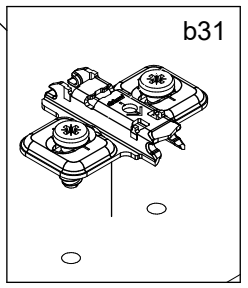
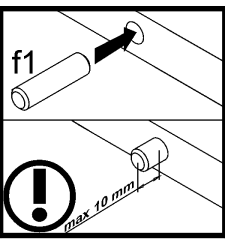
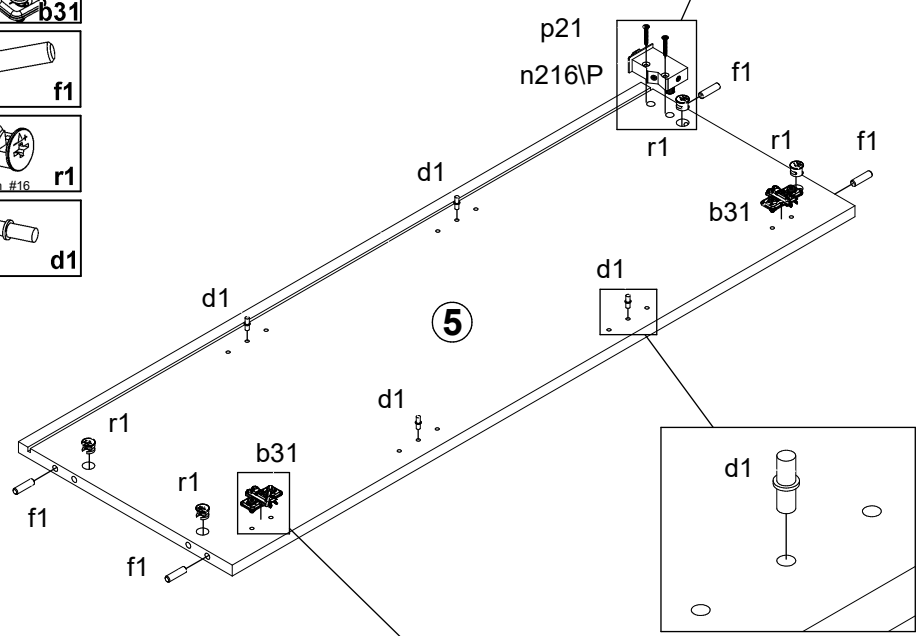
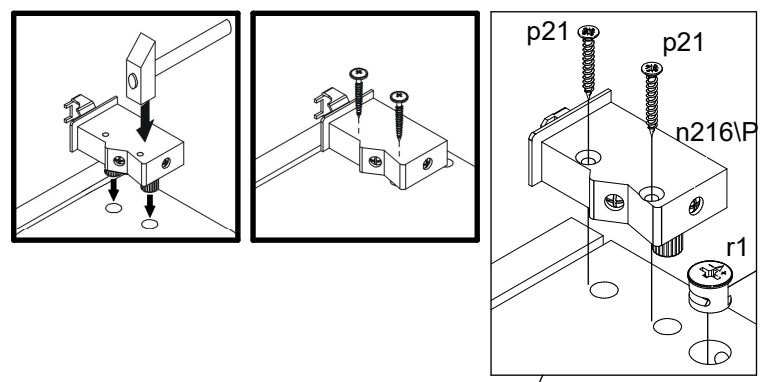


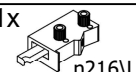


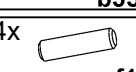


A	B	C (mm)		D
1	S288-0006	1076	230	4/6
2	S288-0007	1076	400,	5/6
3	S288-1021	1048	360	5/6
4	S288-1023	1048,	340	4/6
5	S288-1024	1048	360	5/6
6	S288-2012	637	360	4/6
7	S288-2013	637	360	4/6
8	S288-3008	372	330	4/6
9	S288-3009	208	340	4/6
10	S288-9008	1058	392	5/6
11	S288-9009	1058	222	4/6

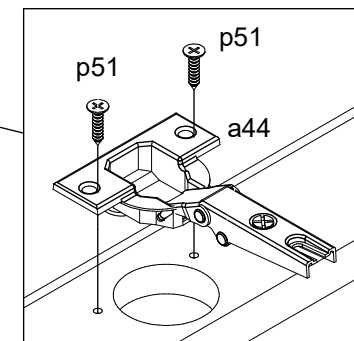
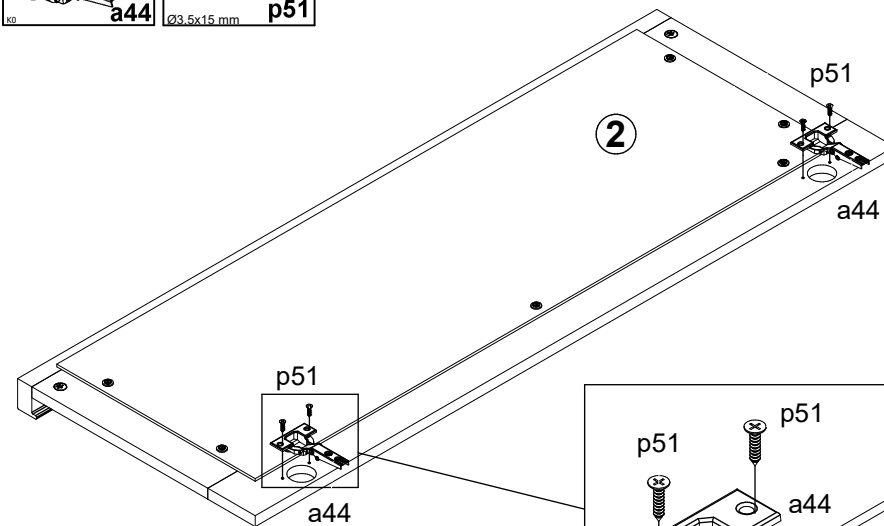
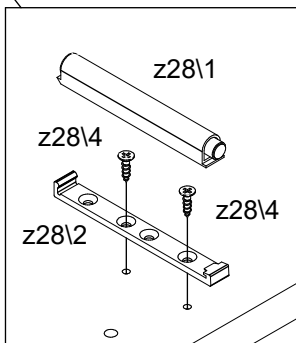
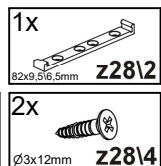
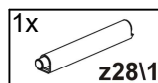
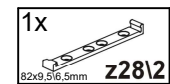
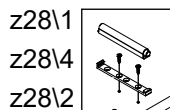
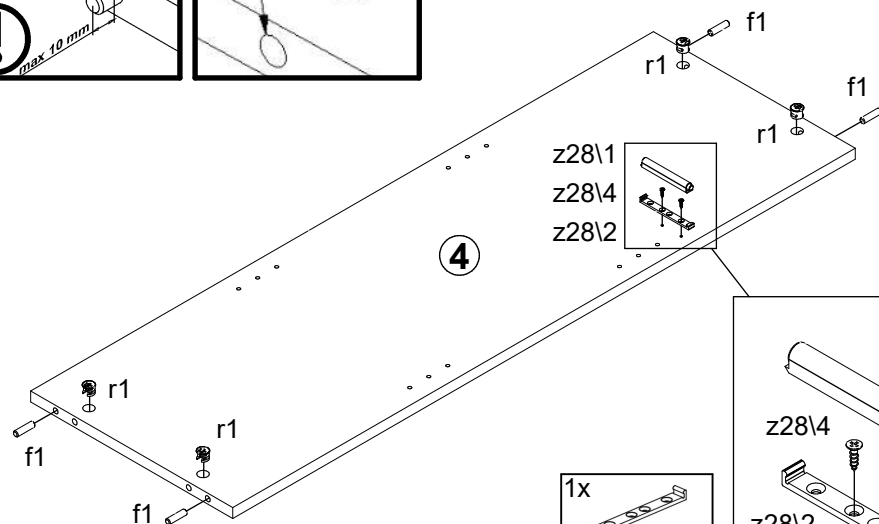
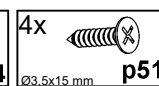
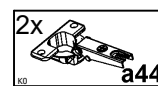
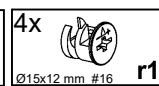
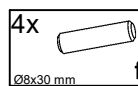
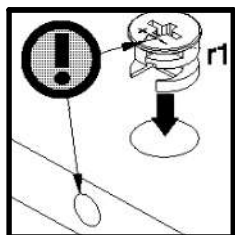
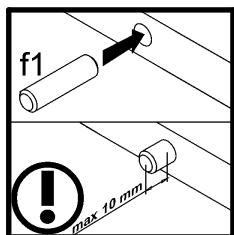
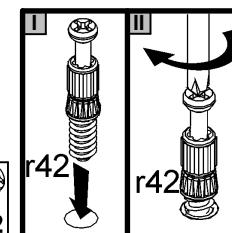
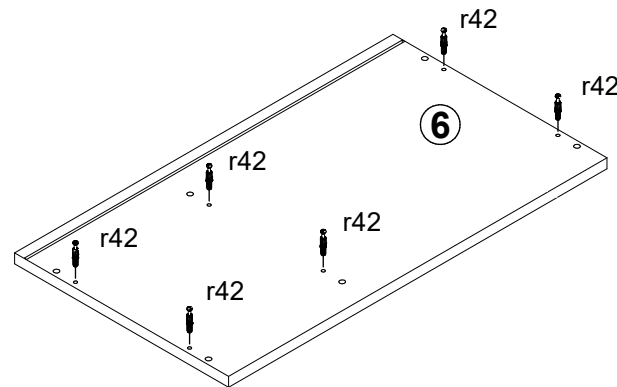
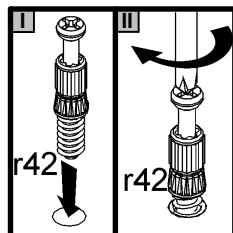
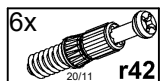
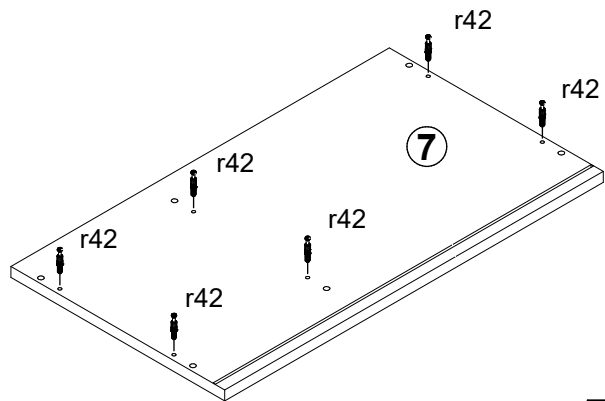


**1** 

- 1x  n216P
- 2x  p21  
Ø4x30 mm
- 2x  b31
- 4x  f1  
Ø8x30 mm
- 4x  r1  
Ø15x12 mm #16
- 4x  d1  
Ø5x17 mm

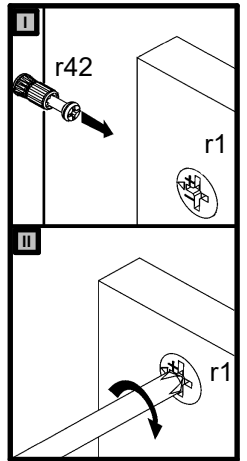
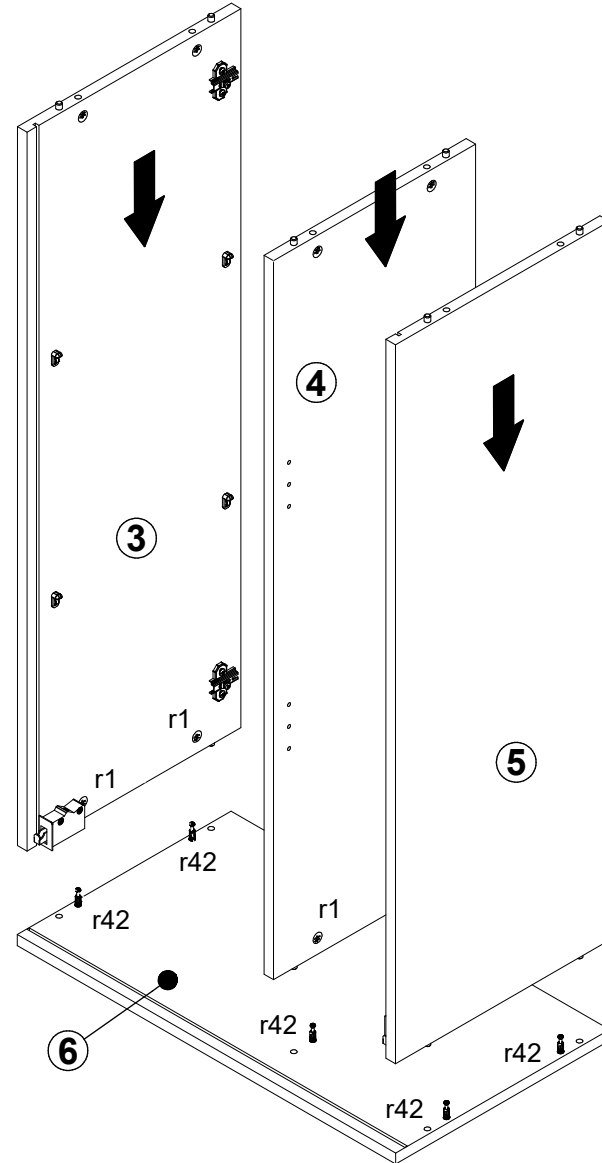
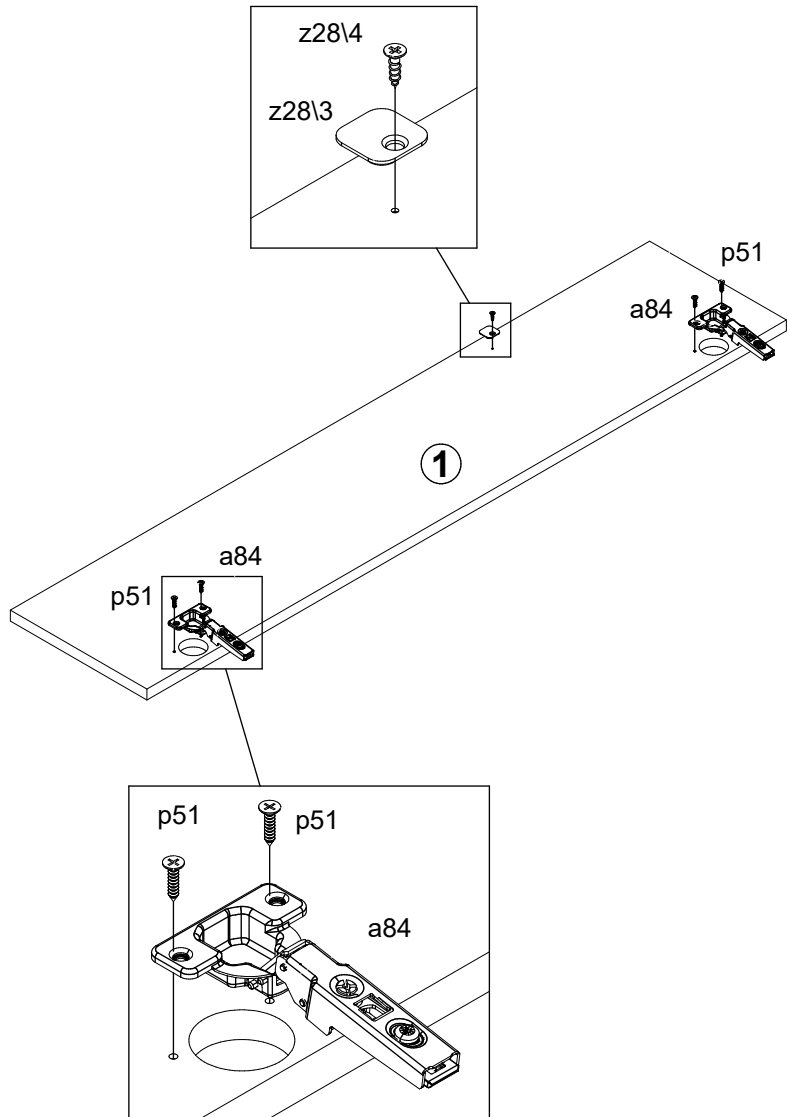


- 1x  n216L
- 2x  p21  
Ø4x30 mm
- 2x  b35
- 4x  f1  
Ø8x30 mm
- 4x  r1  
Ø15x12 mm #16
- 4x  d33

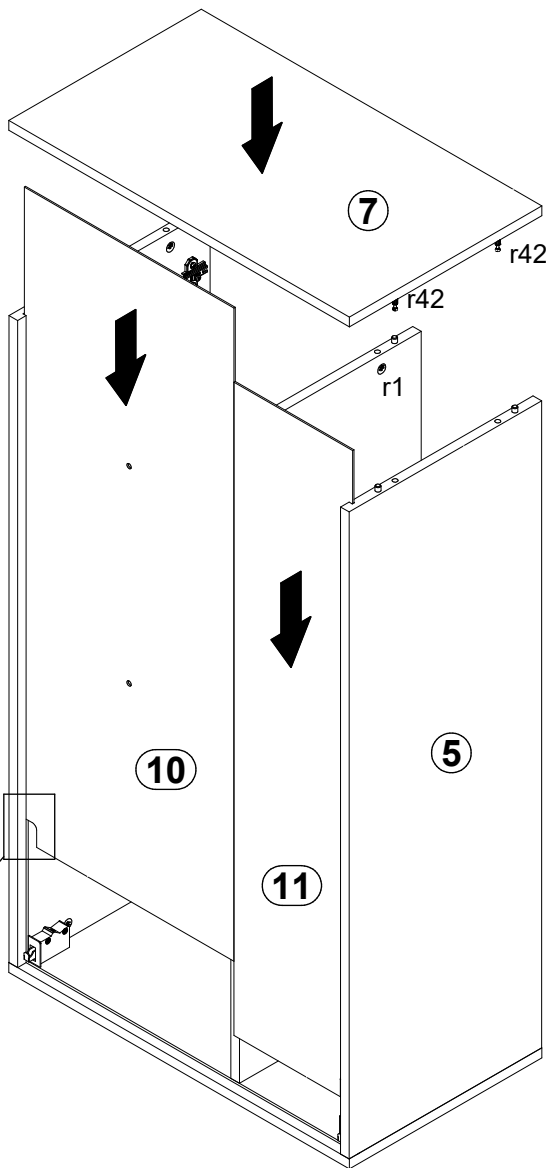
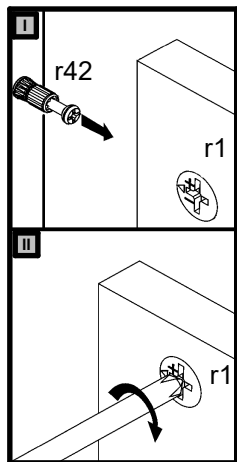


- 1x 20x201,5 mm z28\3
- 1x Ø3x12mm z28\4
- 4x Ø3,5x15 mm p51
- 2x a84

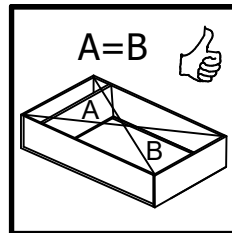
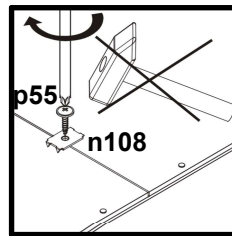
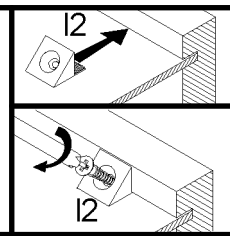
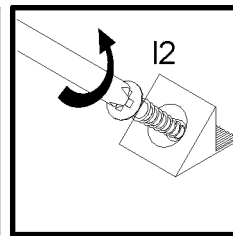
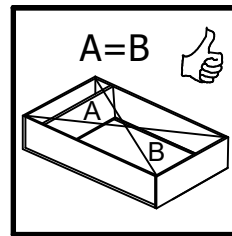
2






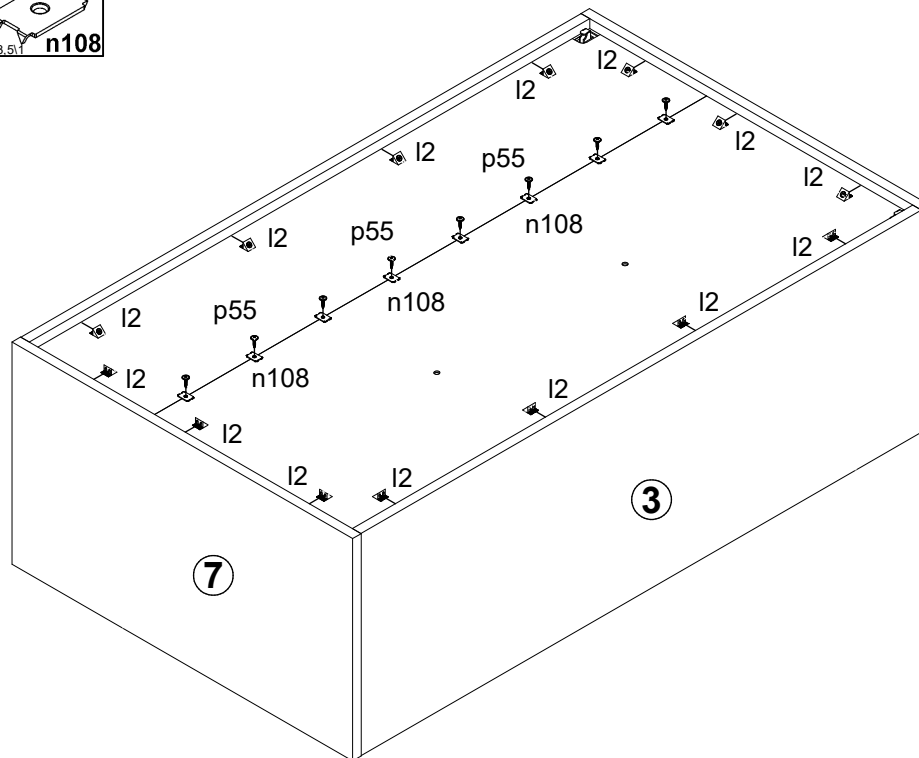
3



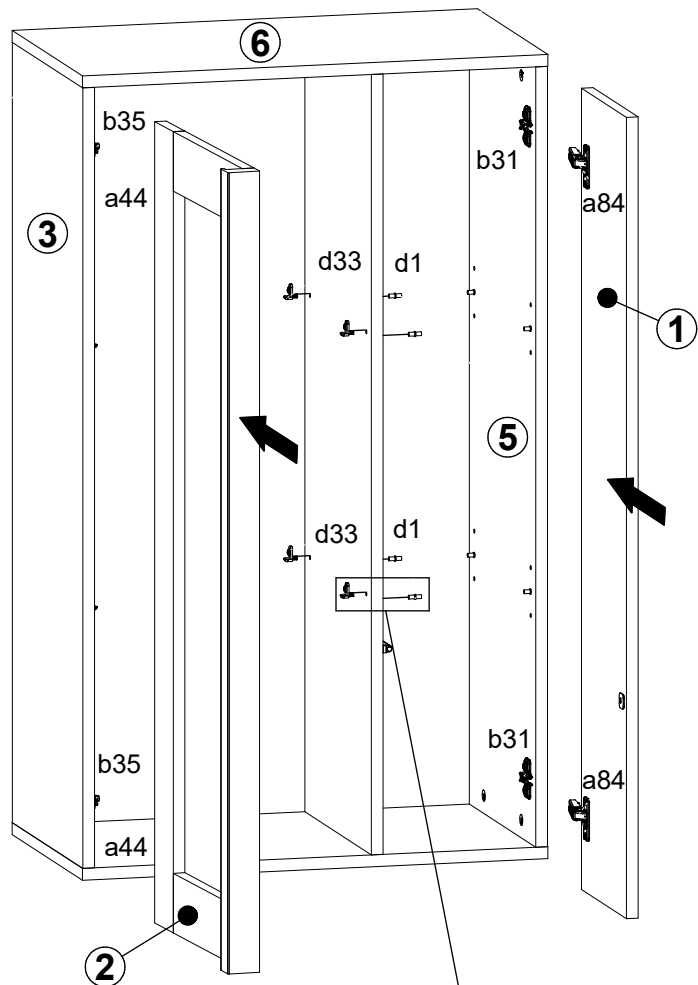
4





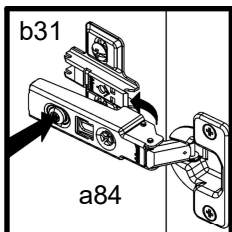
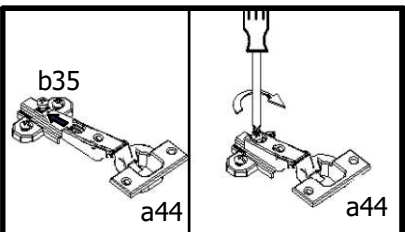
- 14x  l2
- 8x  p55  
Ø2.9x16 mm
- 8x  n108  
20x13x3.5



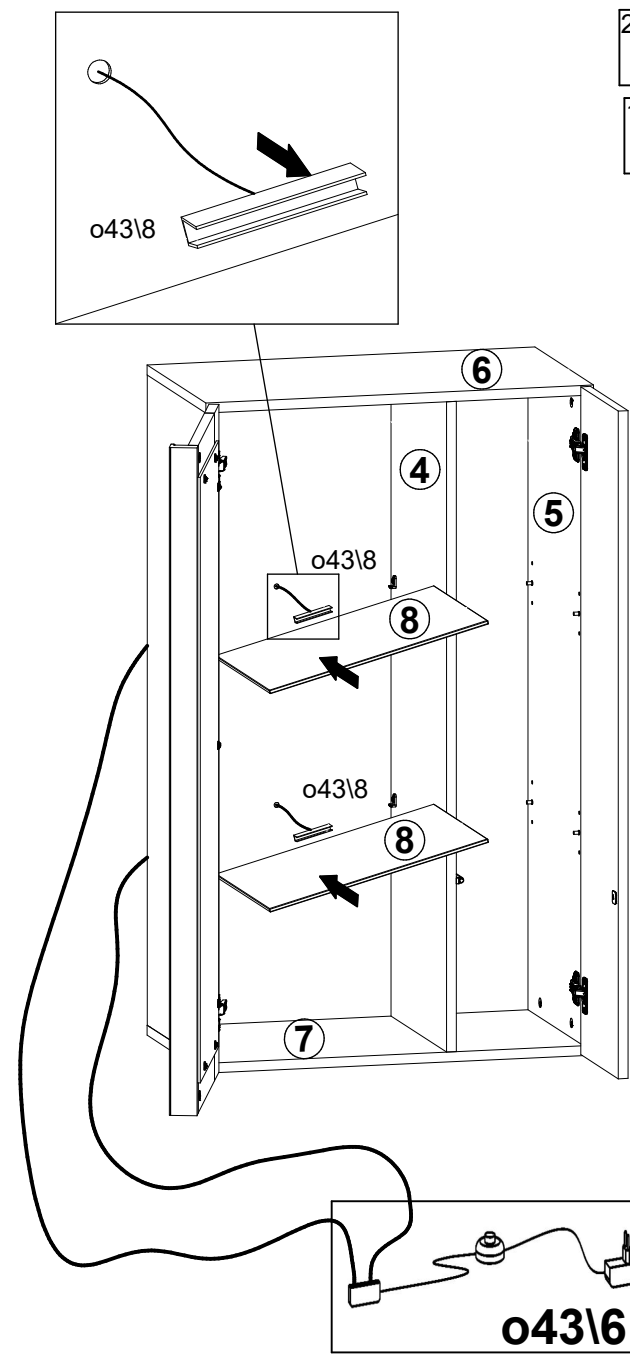
5





- 4x  d1  
ø5x17 mm
- 4x  d33

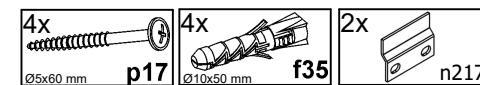
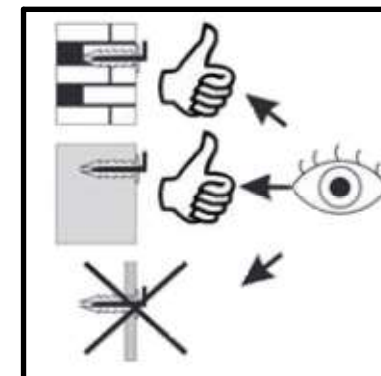
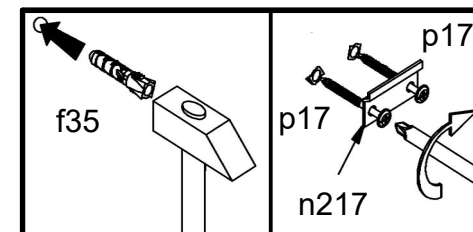
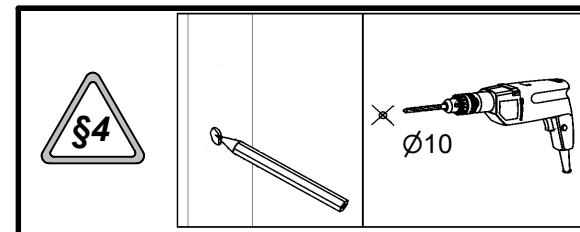
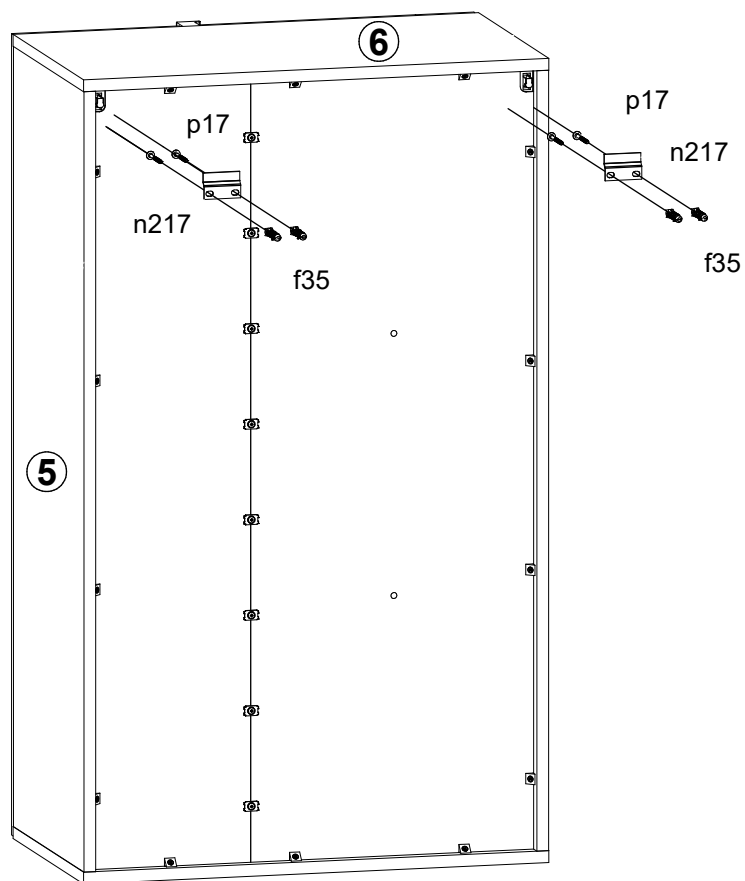
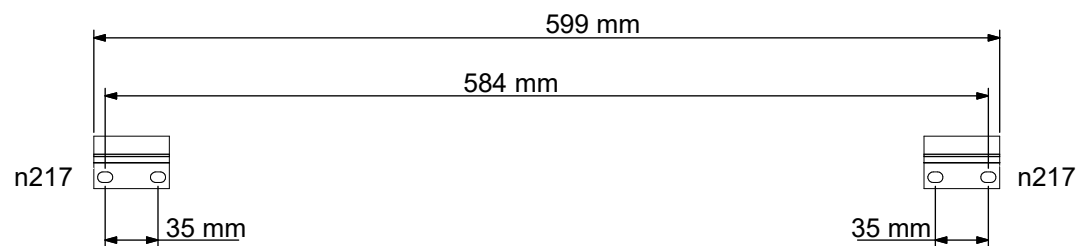


6

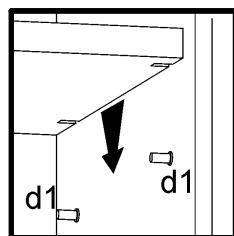
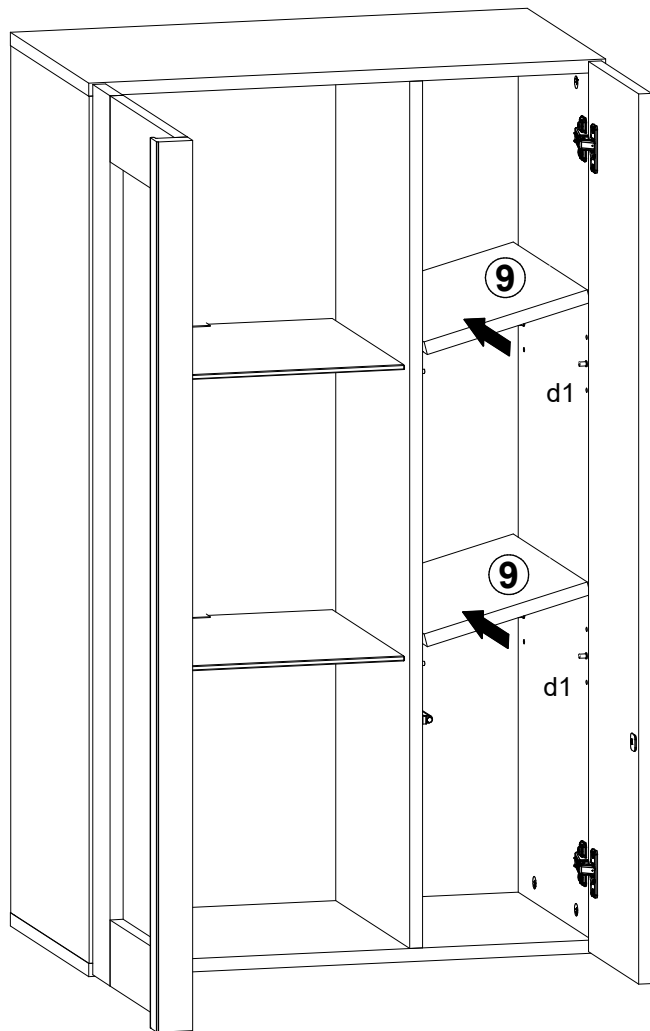


- 2x  o43|8
- 1x  o43|6

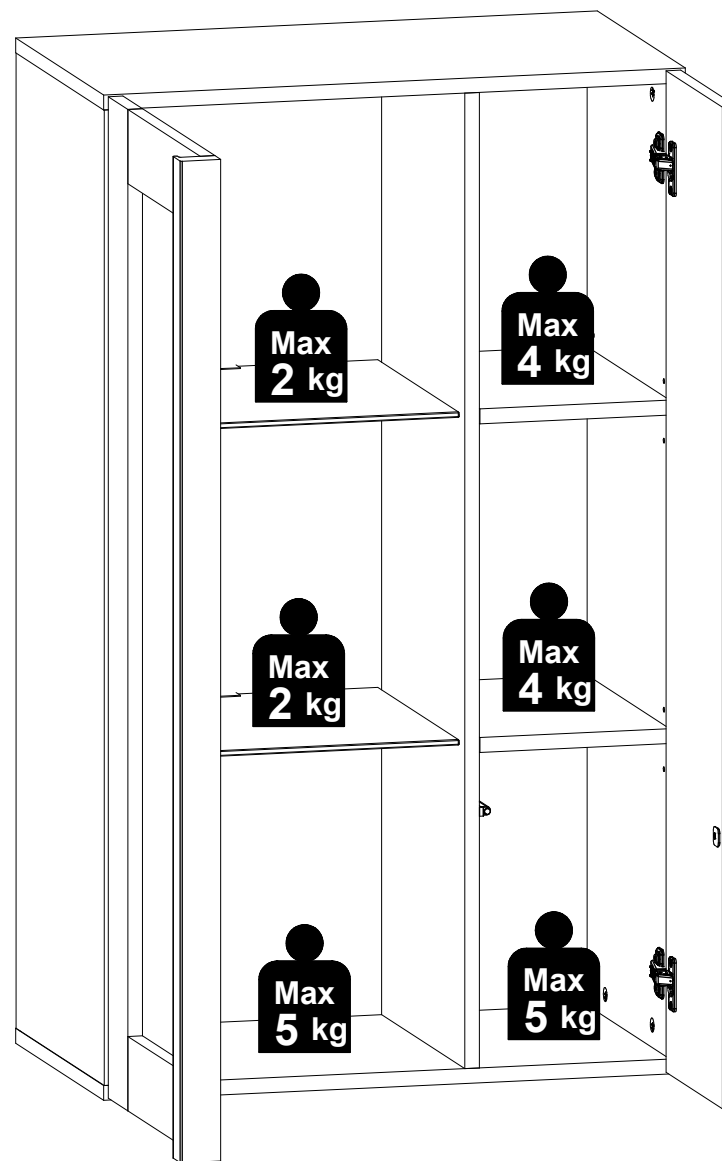
7



8



9



# 10

