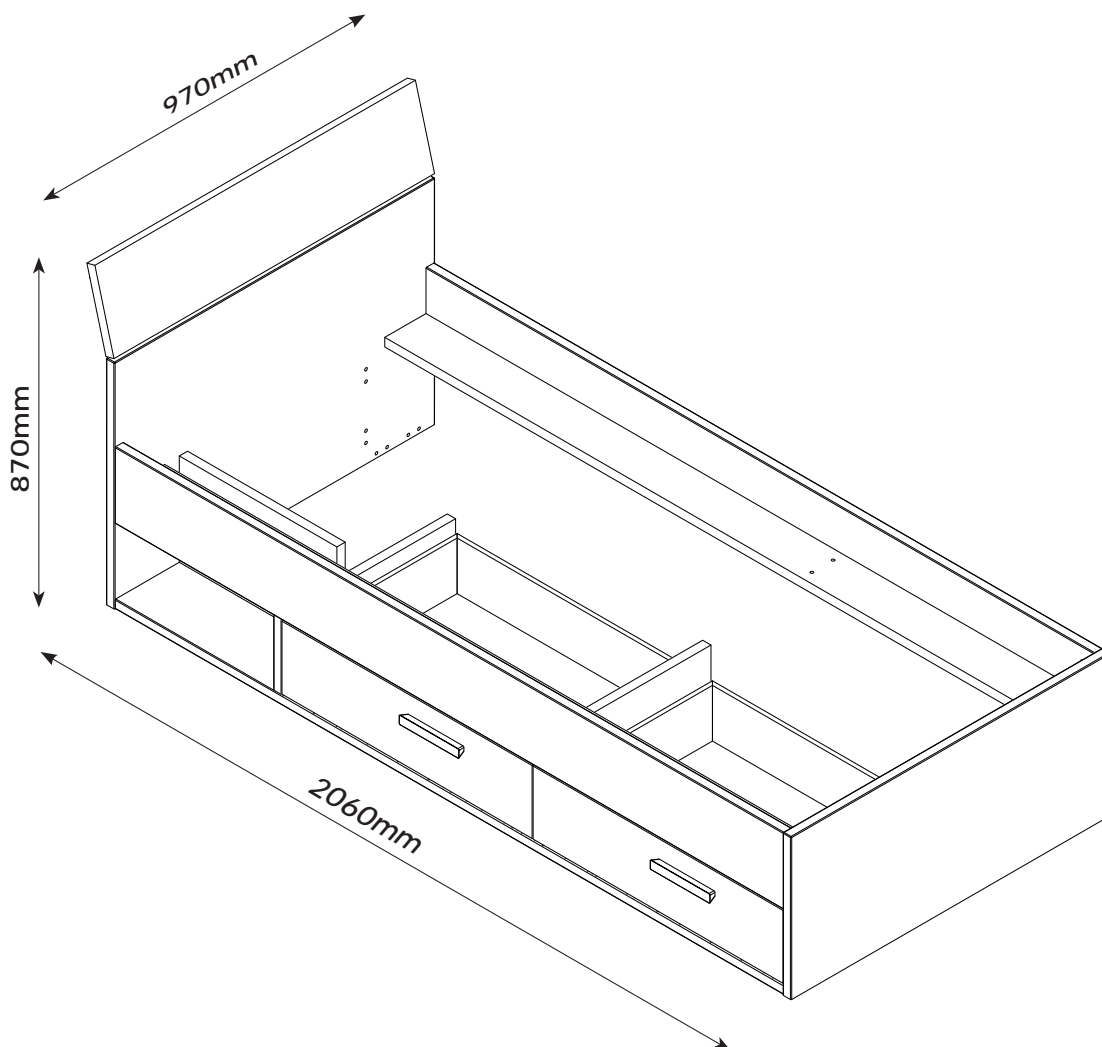


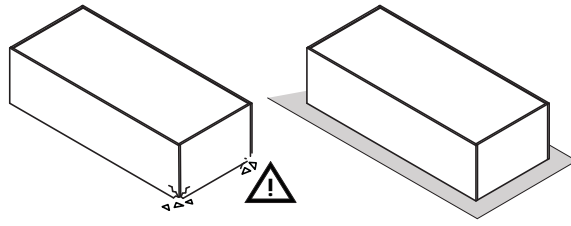
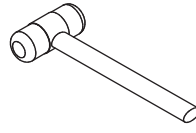
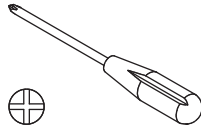
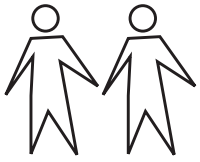
LT2653K56104



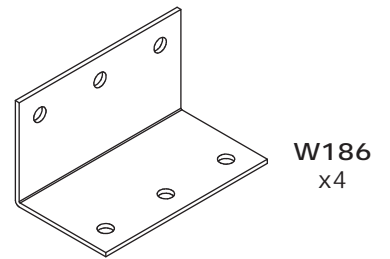
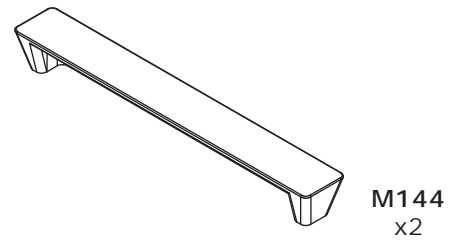
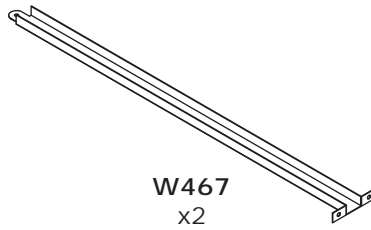
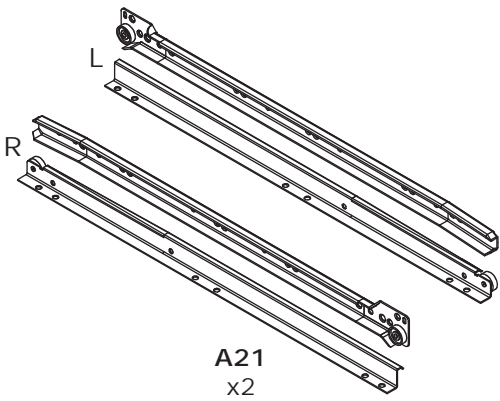
QF4448



MADE IN ITALY
Produced by COMPOSAD srl, Via Lombardia 29, 46019 Viadana (MN) ITALY



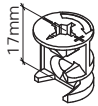
BU3633



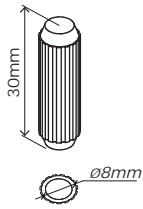
BU3521



T28
x14



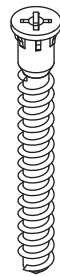
T92
x10



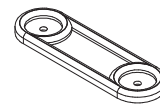
H1
x25



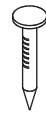
V10
x32



V57
x20



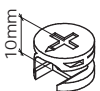
P16
x8



H15
x16



H14
x1



T98
x4



V13
x8



V5
x8



V98
x6



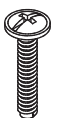
G128
x4



G66
x4



G65
x10

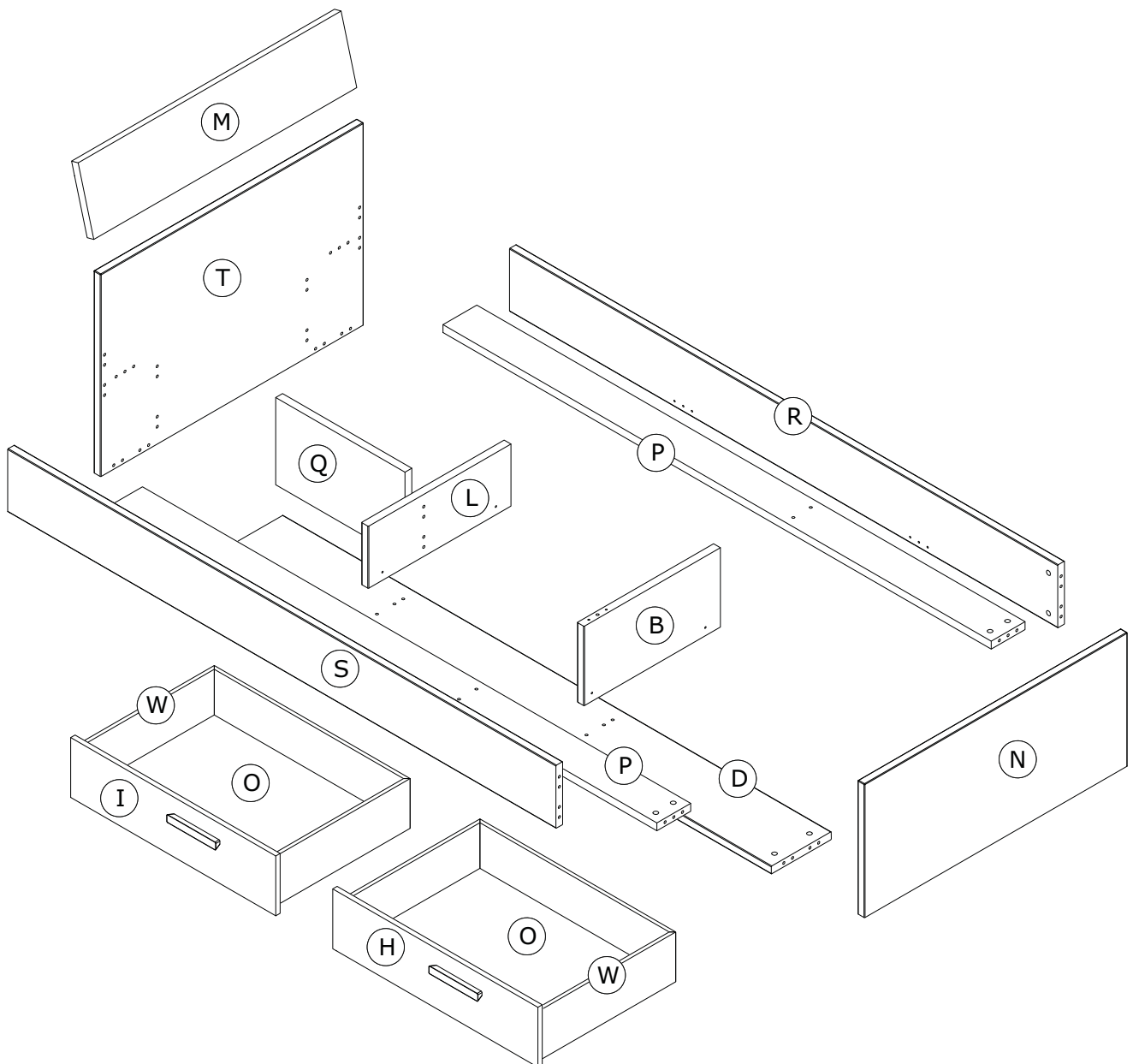
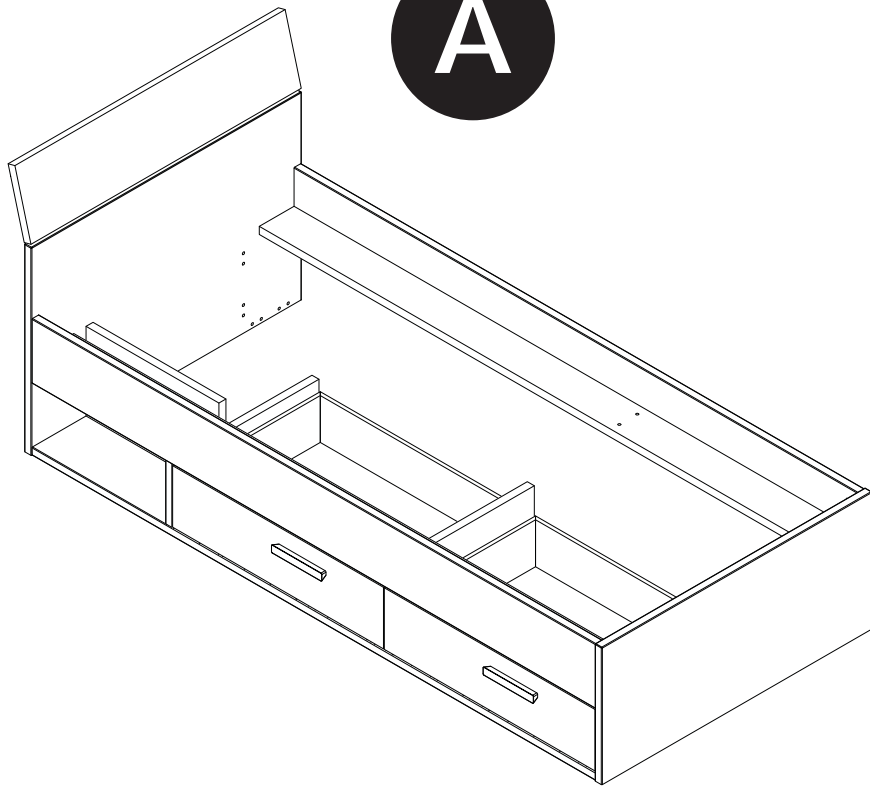


V32
x4

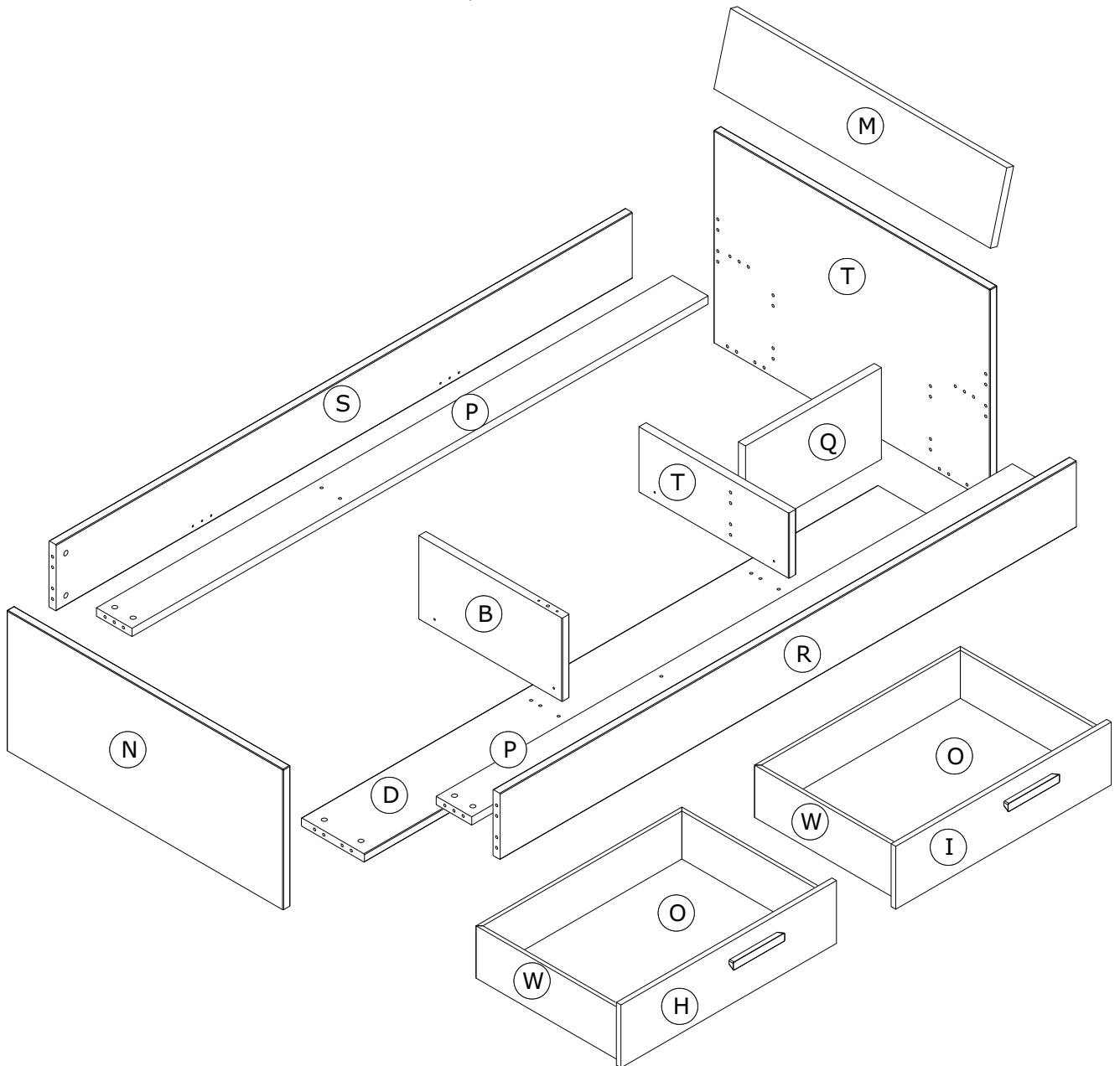
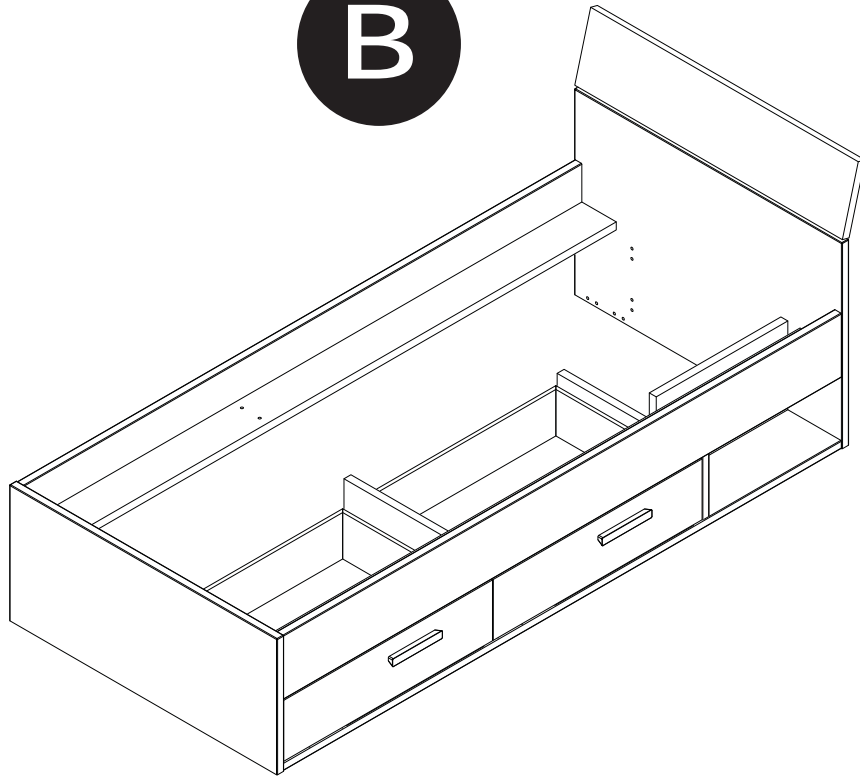


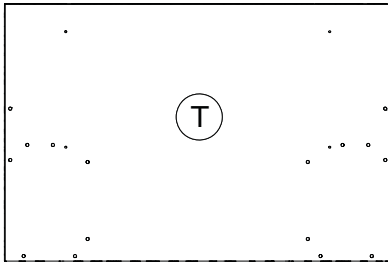
W329
x2

A

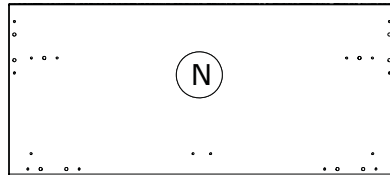


B

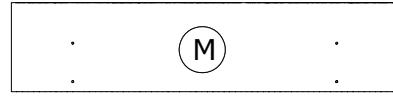




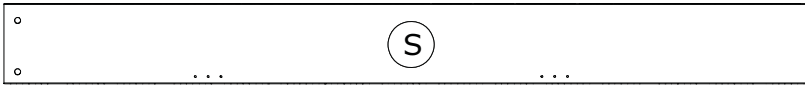
TE0415
964x642x25mm



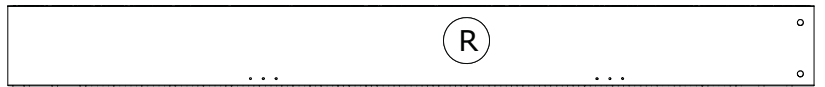
PE0208
964x424x25mm



TE0416
964x222x25mm



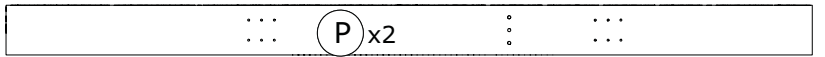
FS2878
2010x200x25mm



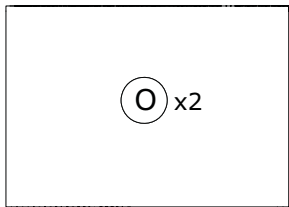
FS2877
2010x200x25mm



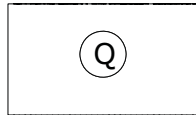
FS2883
2010x220x25mm



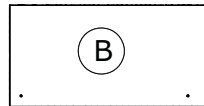
FS2880
2010x124x25mm



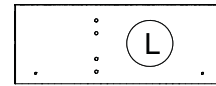
SH2967
705x501x3mm



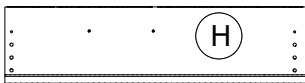
SH2966
474x277x25mm



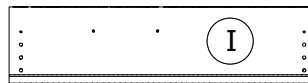
TR1950
500x252x25mm



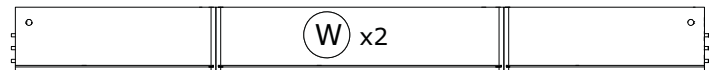
TR1951
523x197x25mm



CS2786
752x190x16mm

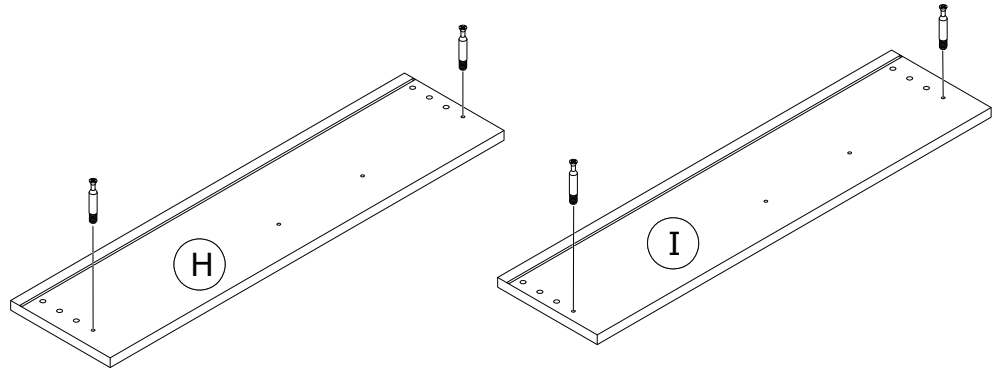
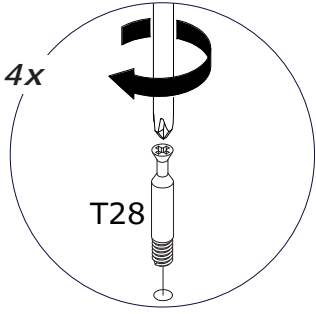


CS2784
752x190x16mm

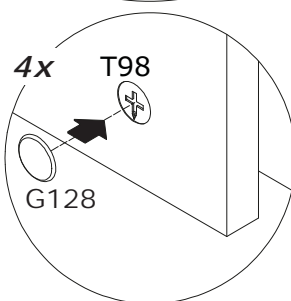
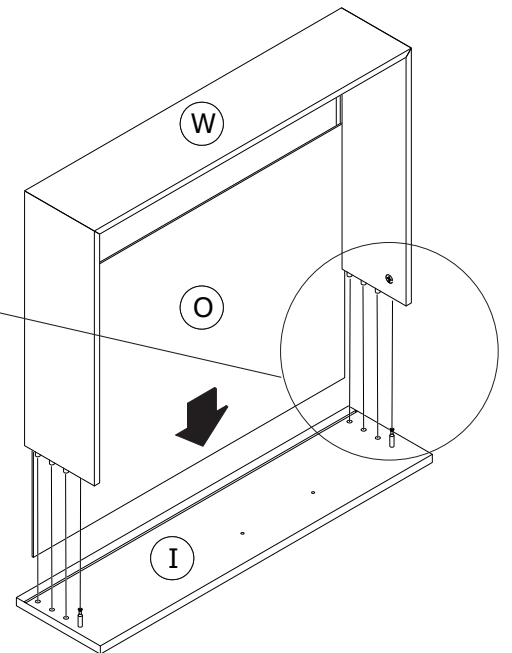
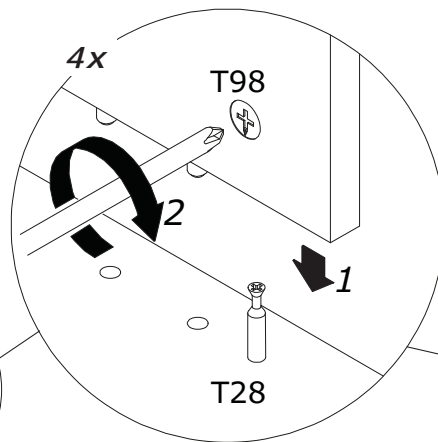
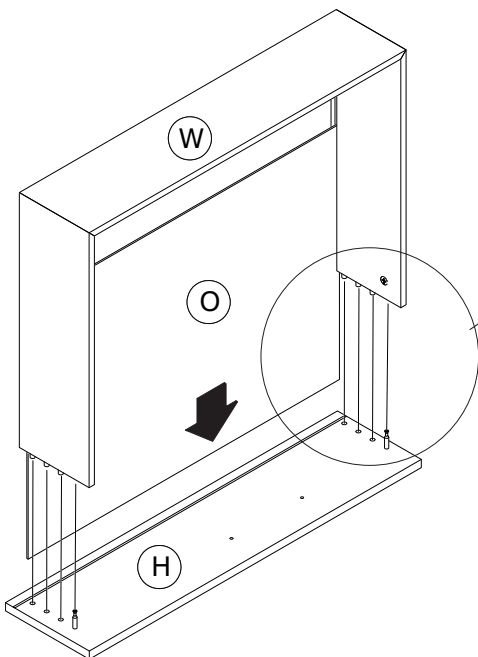
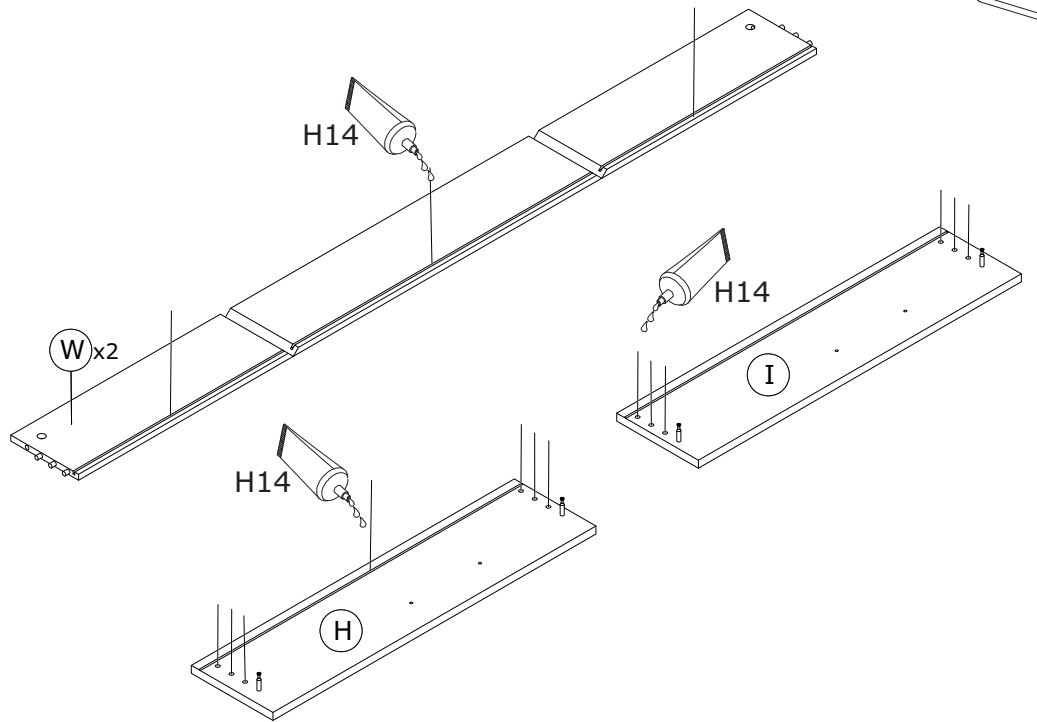
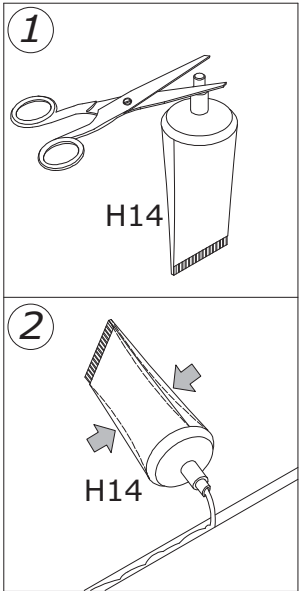


OF0402
500x718x500mm H.158mm

1



2

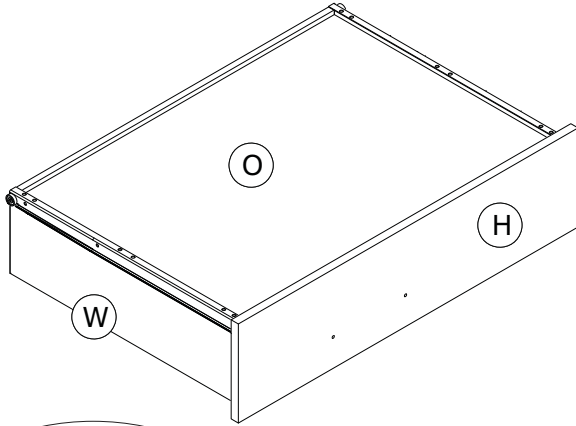


3

8x



V5

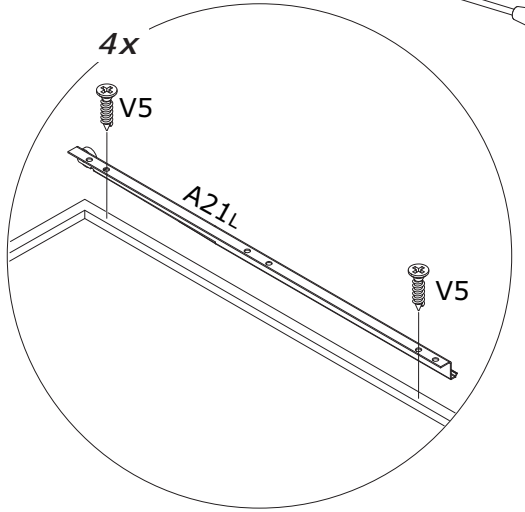


4x

V5

A21L

V5

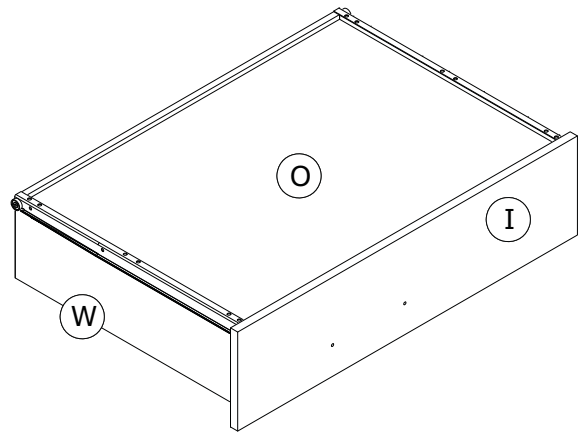
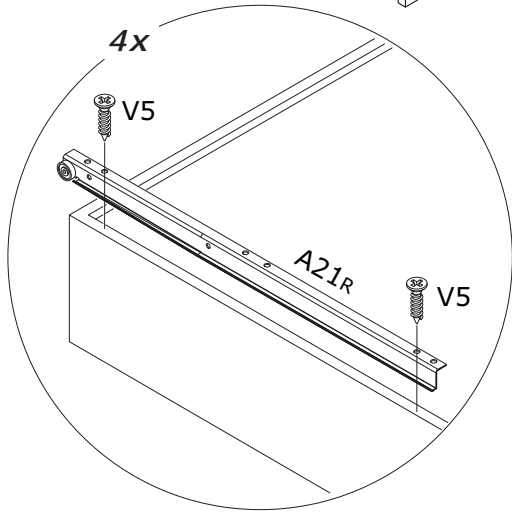


4x

V5

A21R

V5



4

6x

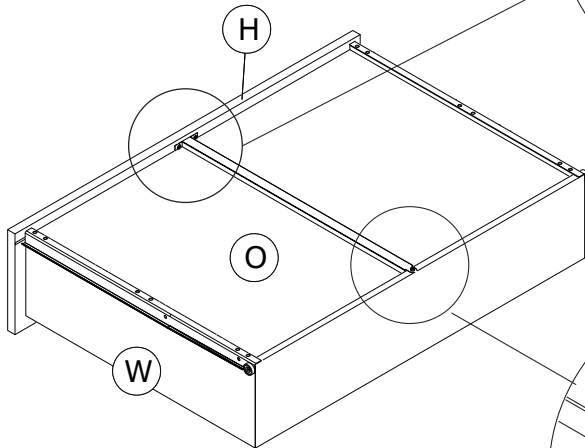
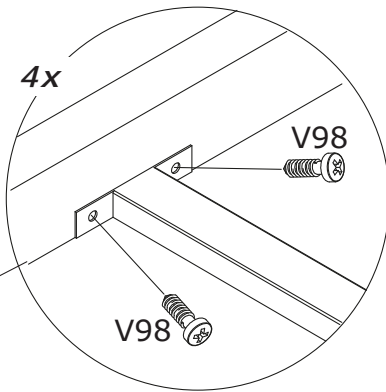


V98

4x

V98

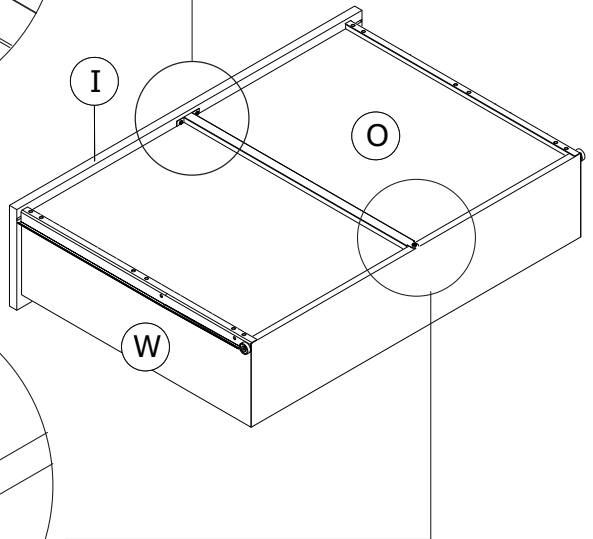
V98



I

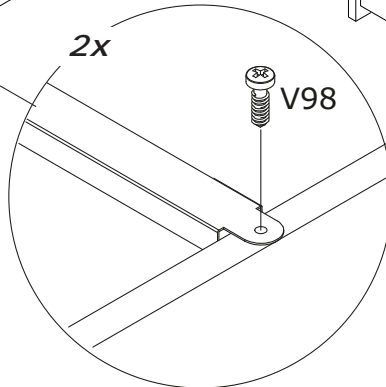
O

W

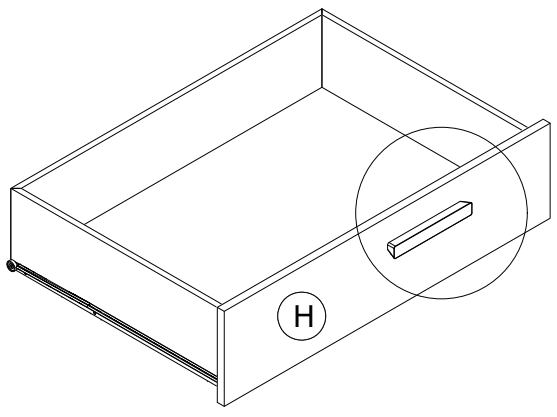
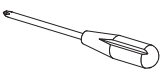


2x

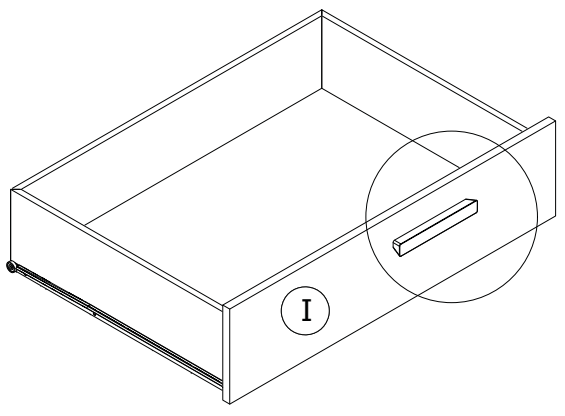
V98



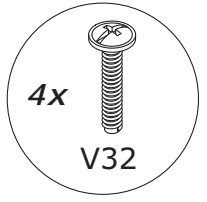
5



H

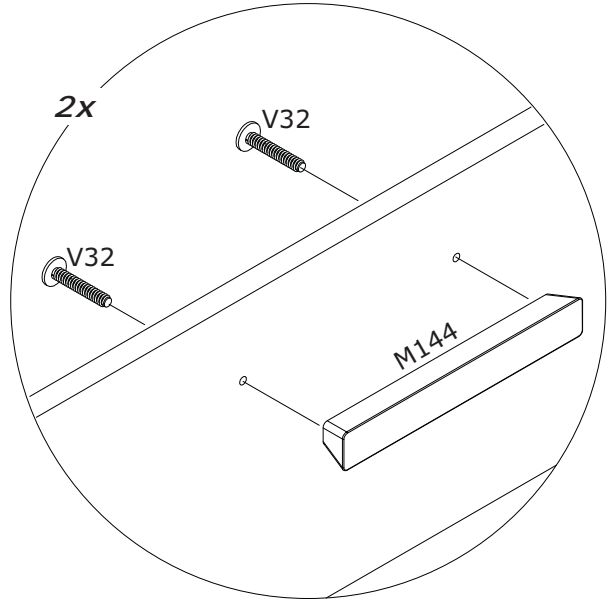


I



4x

V32



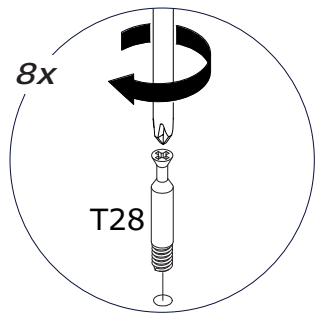
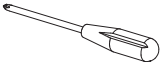
2x

V32

V32

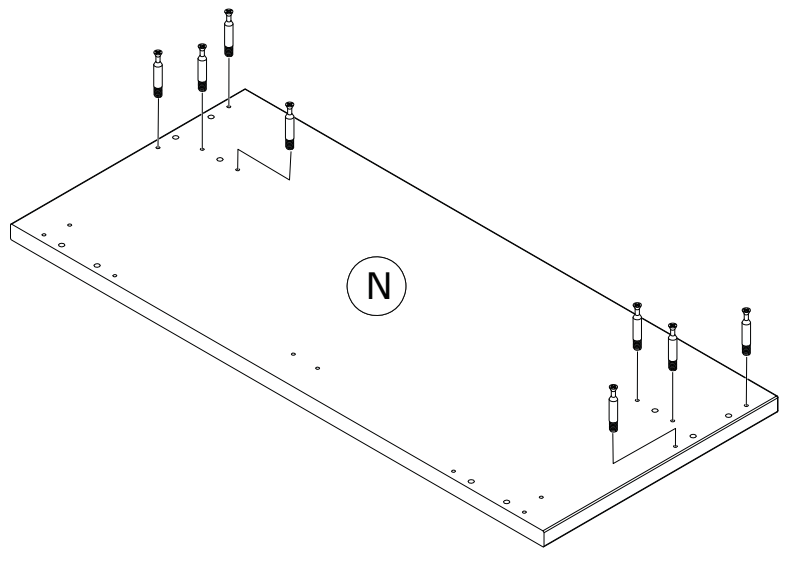
M144

6



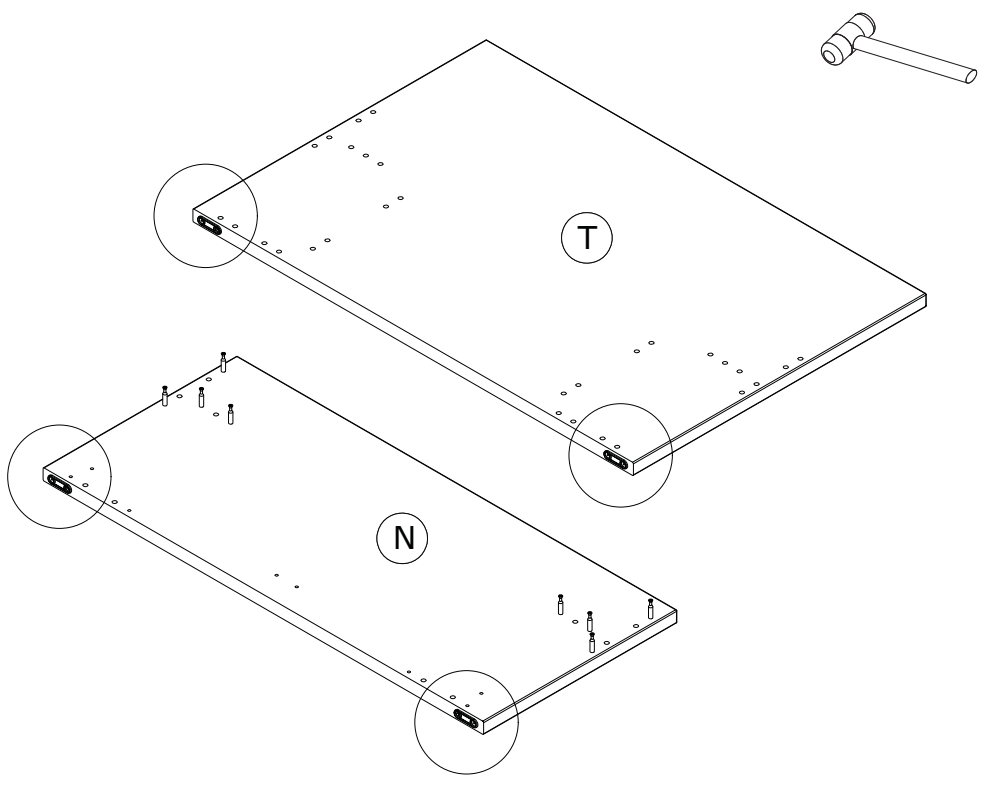
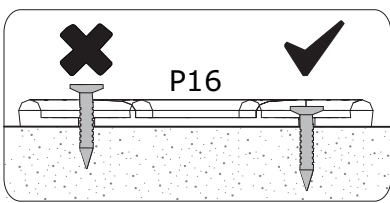
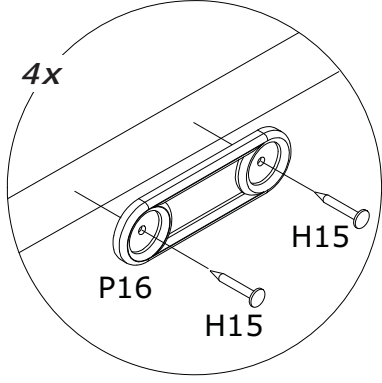
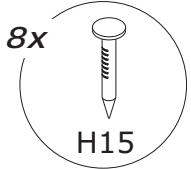
8x

T28

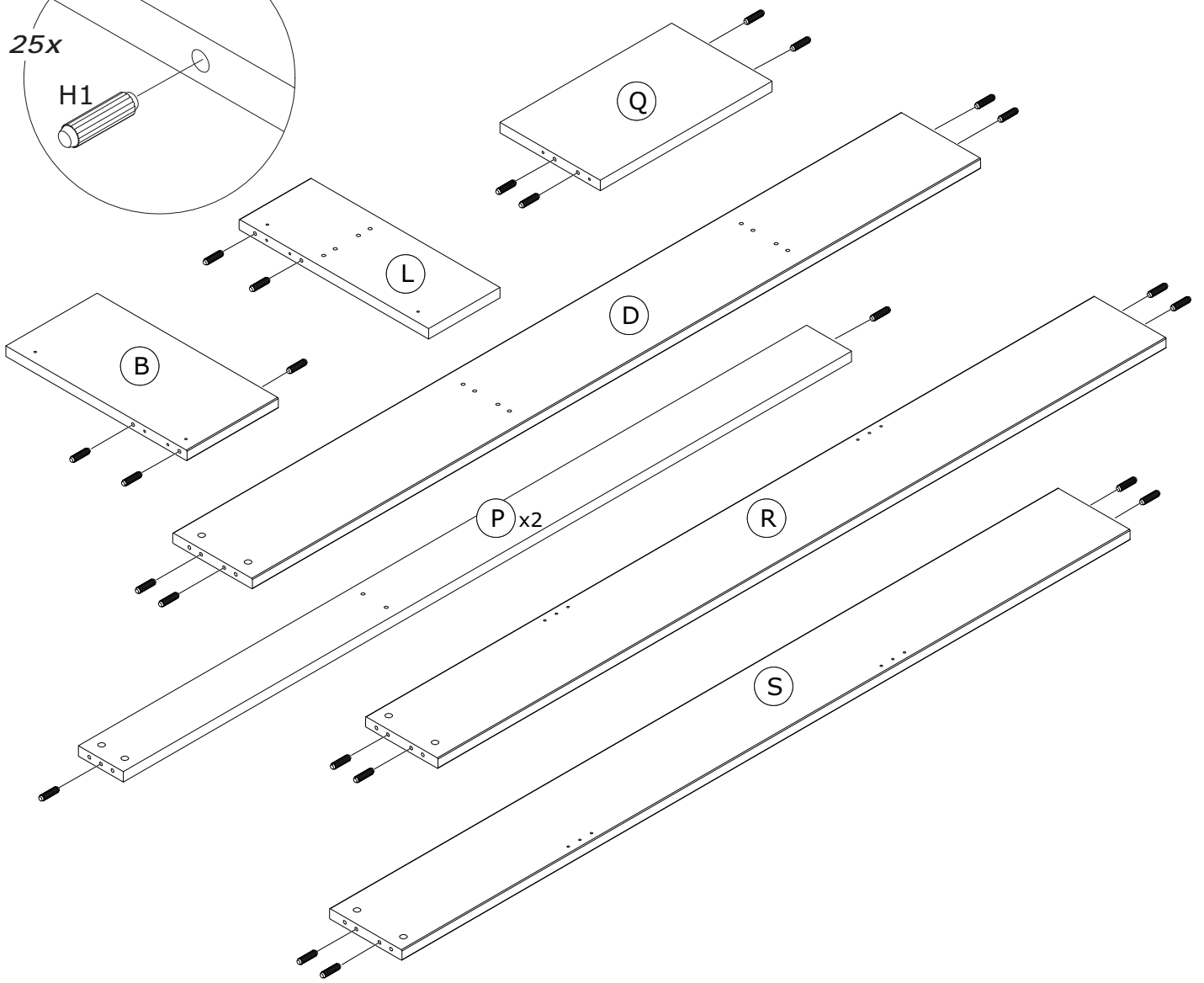
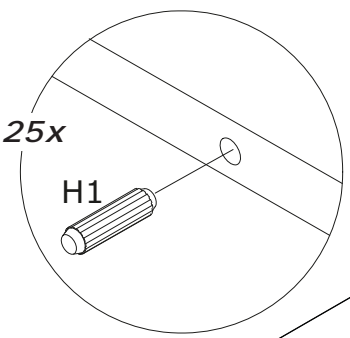


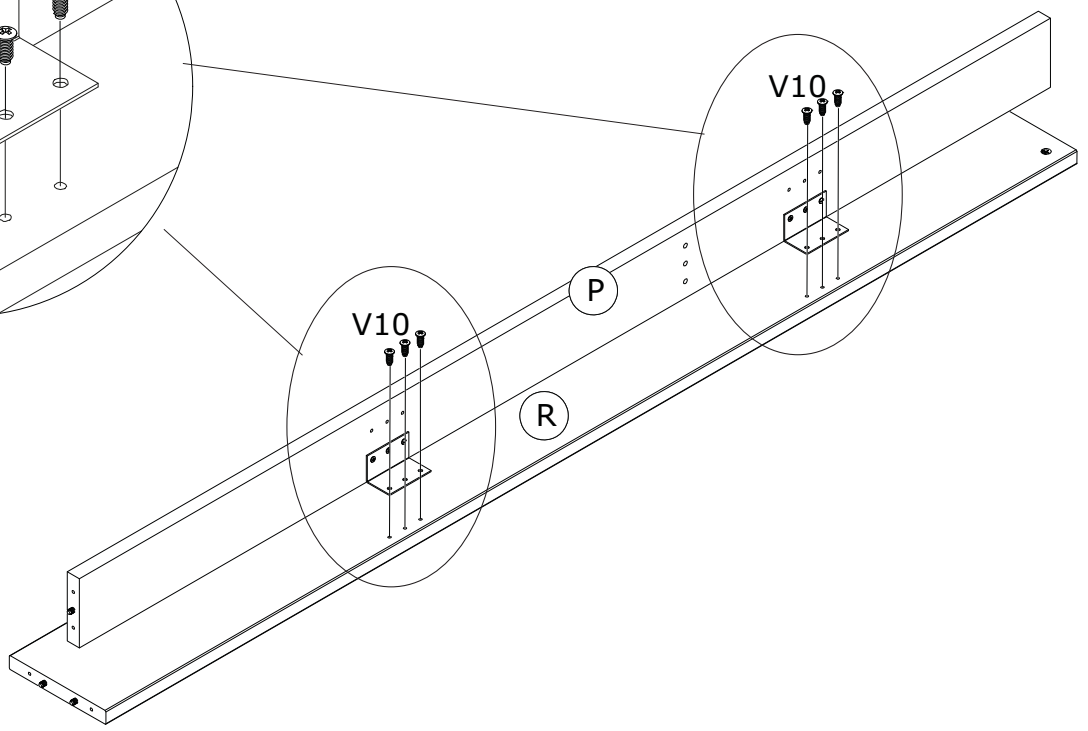
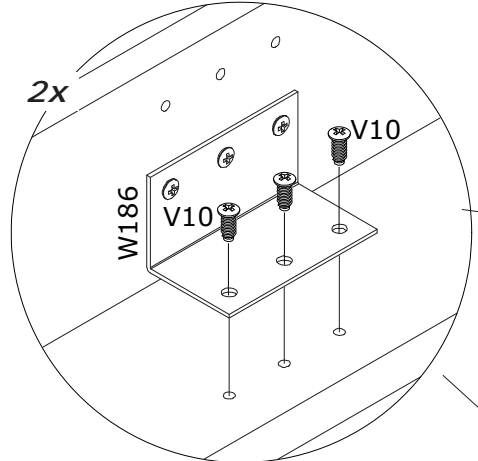
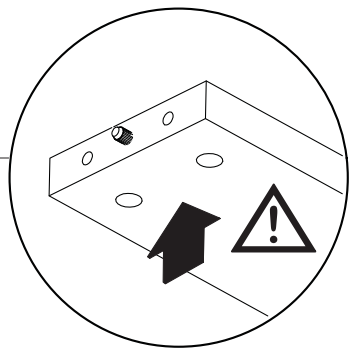
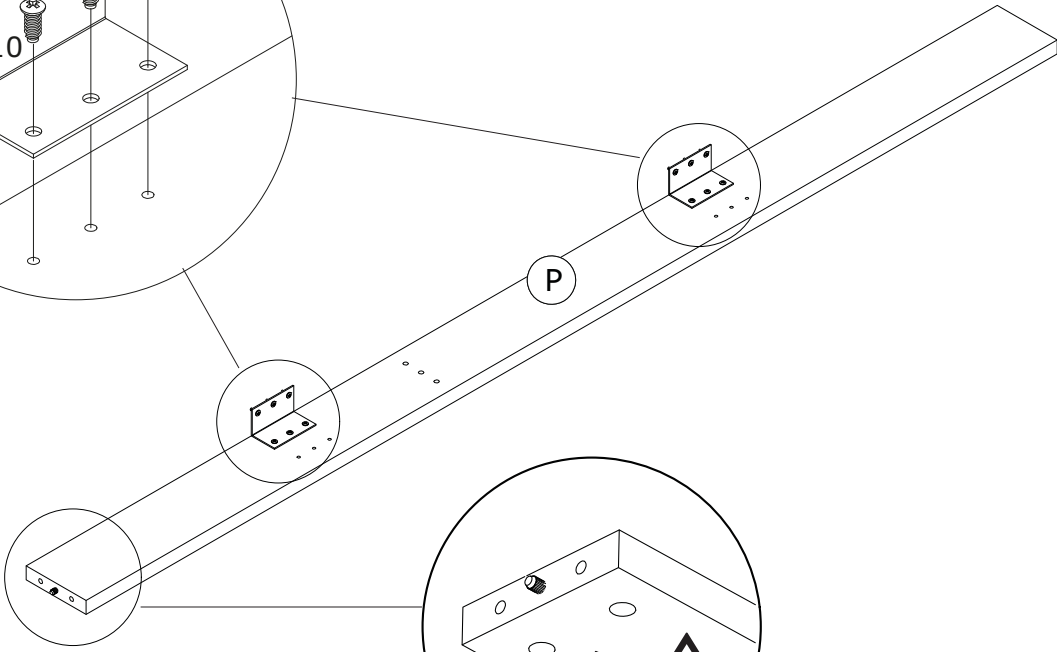
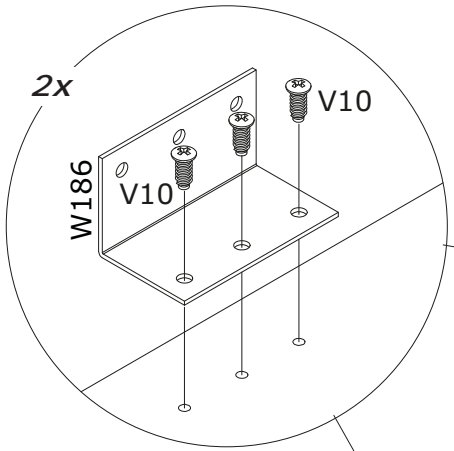
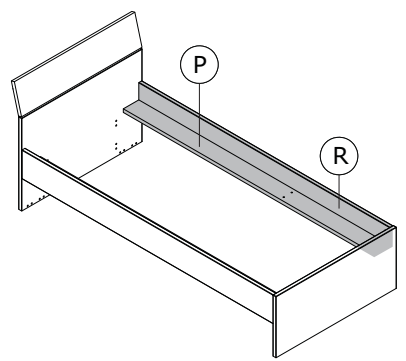
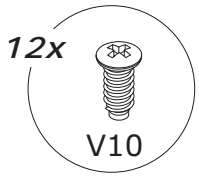
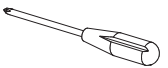
N

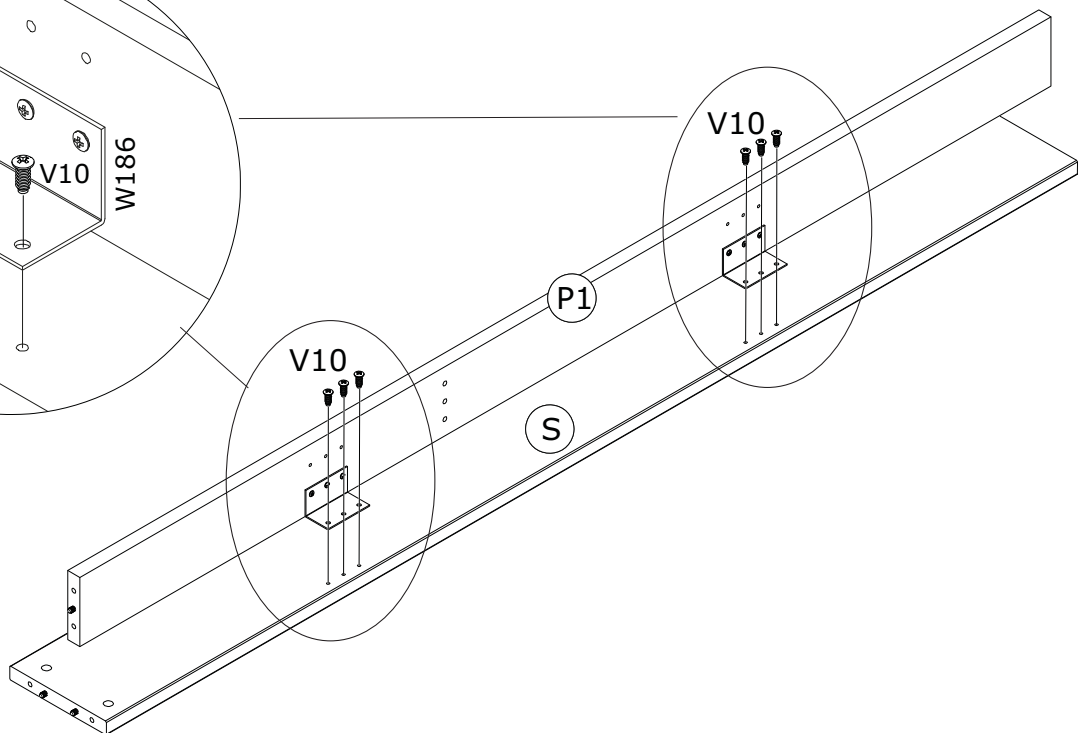
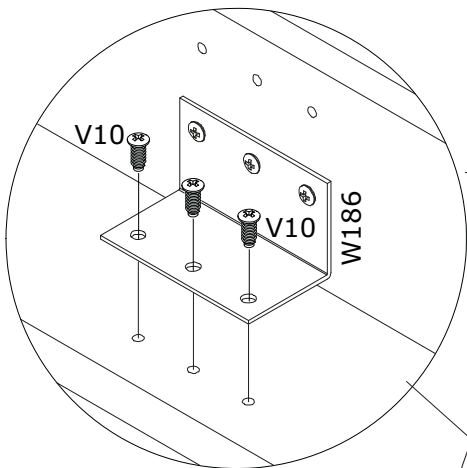
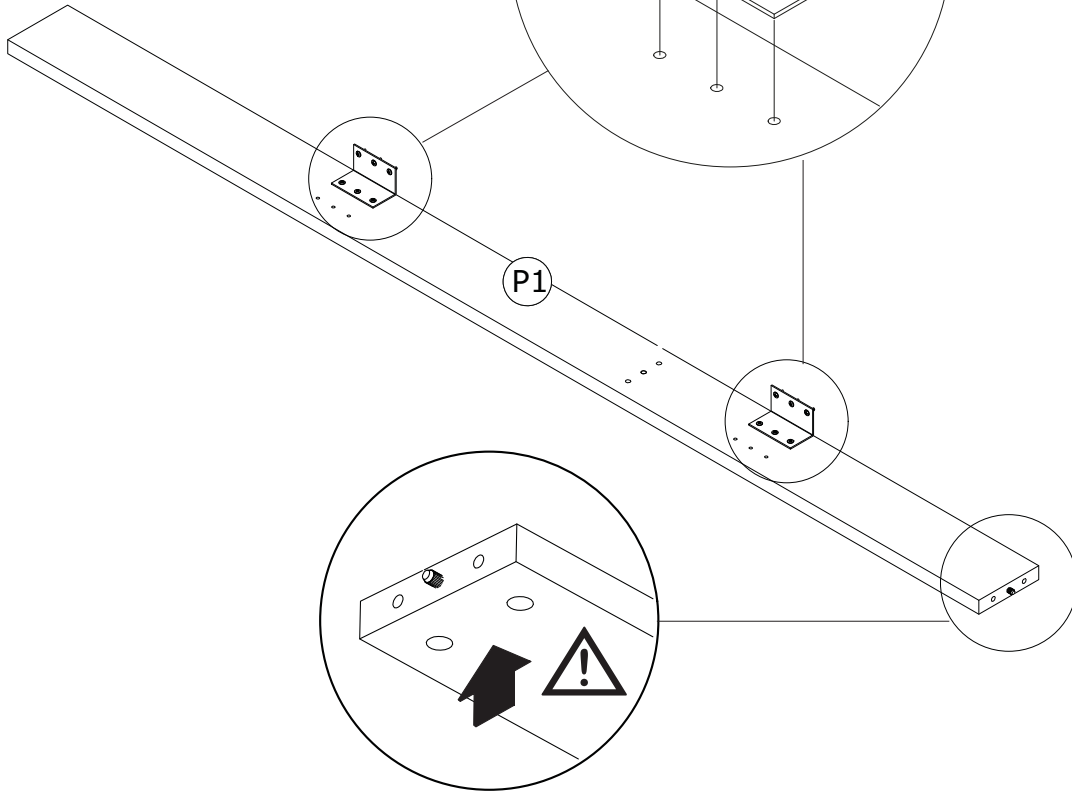
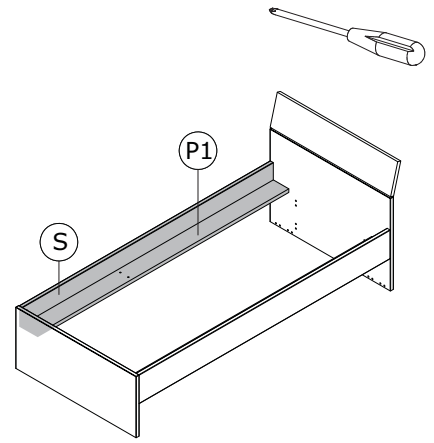
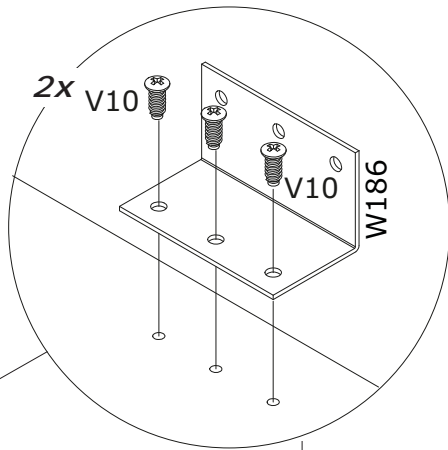
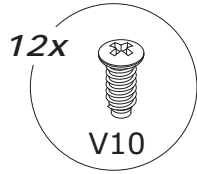
7



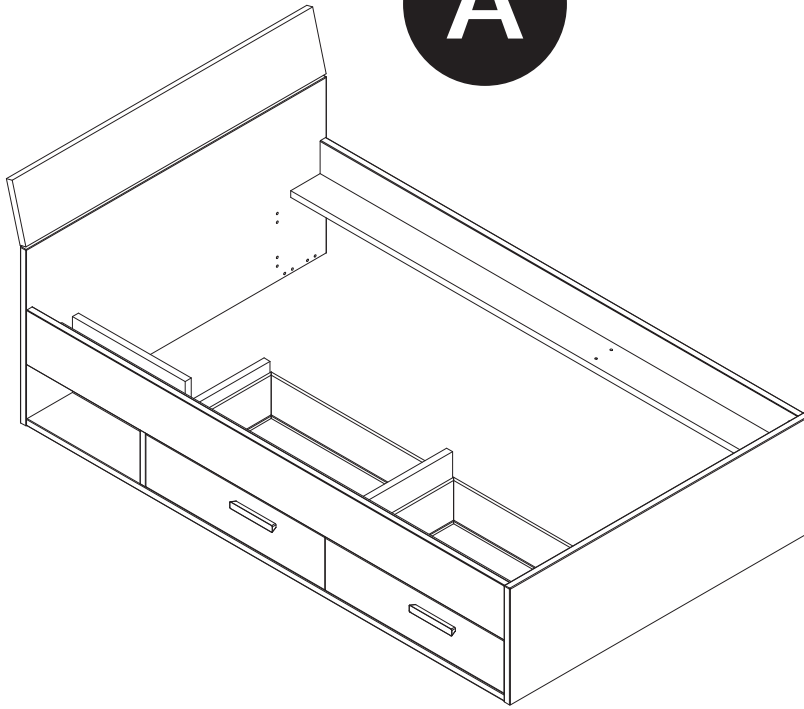
8



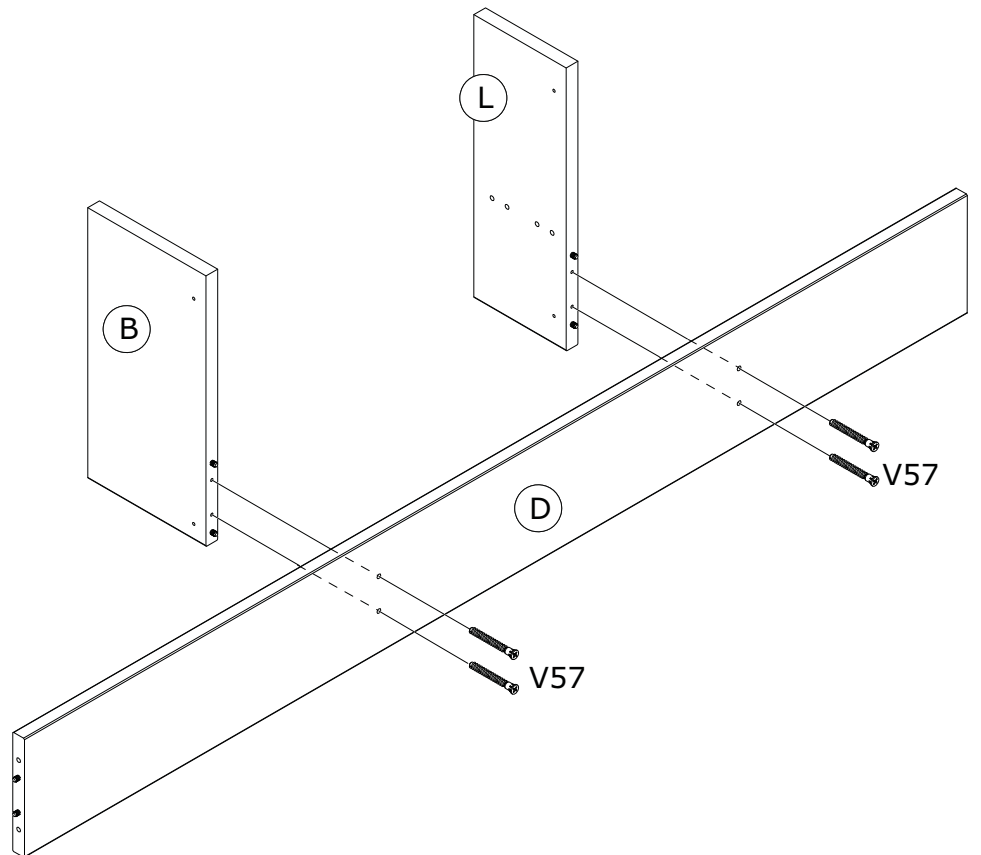
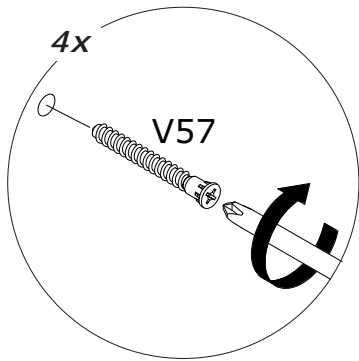
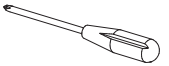




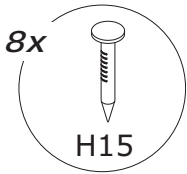
A



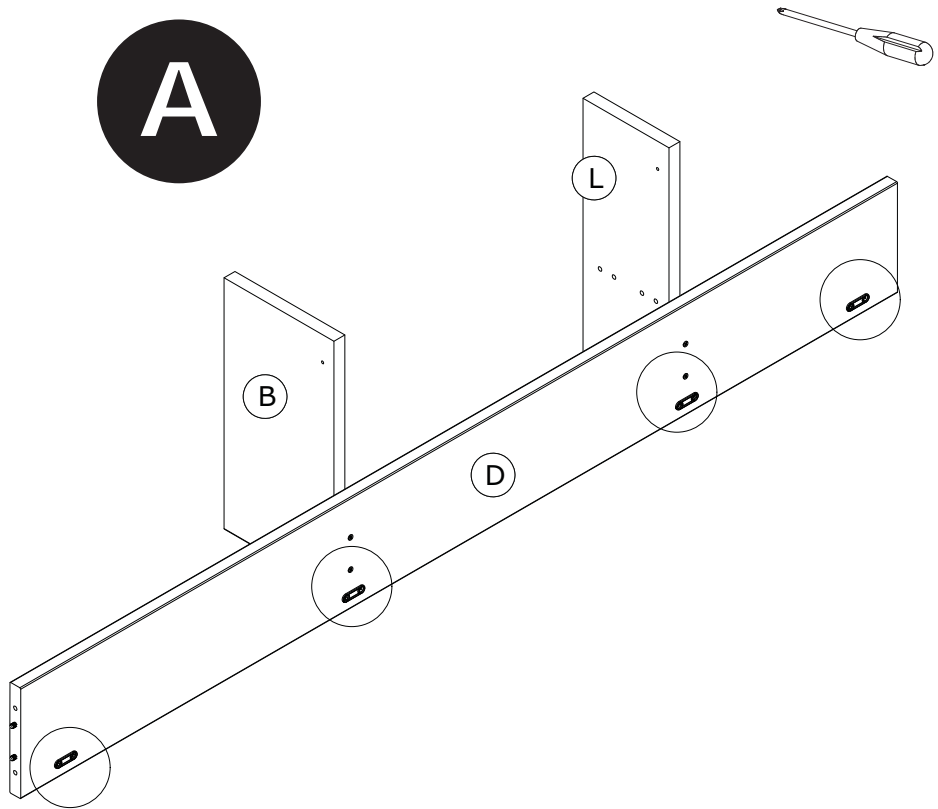
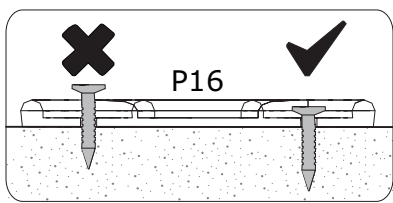
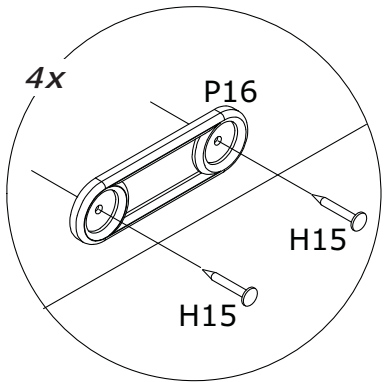
11



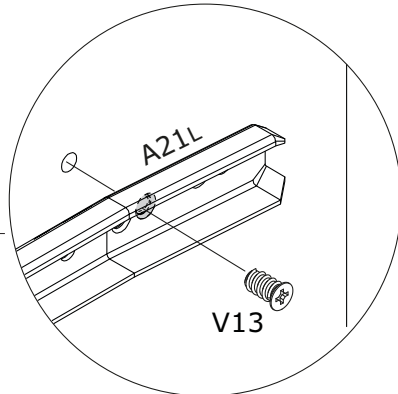
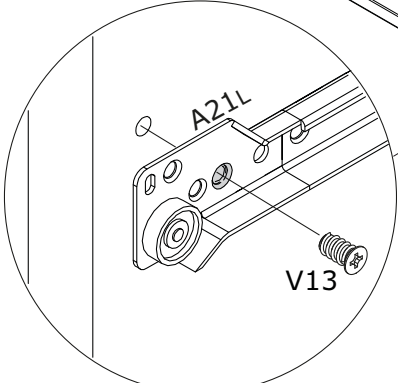
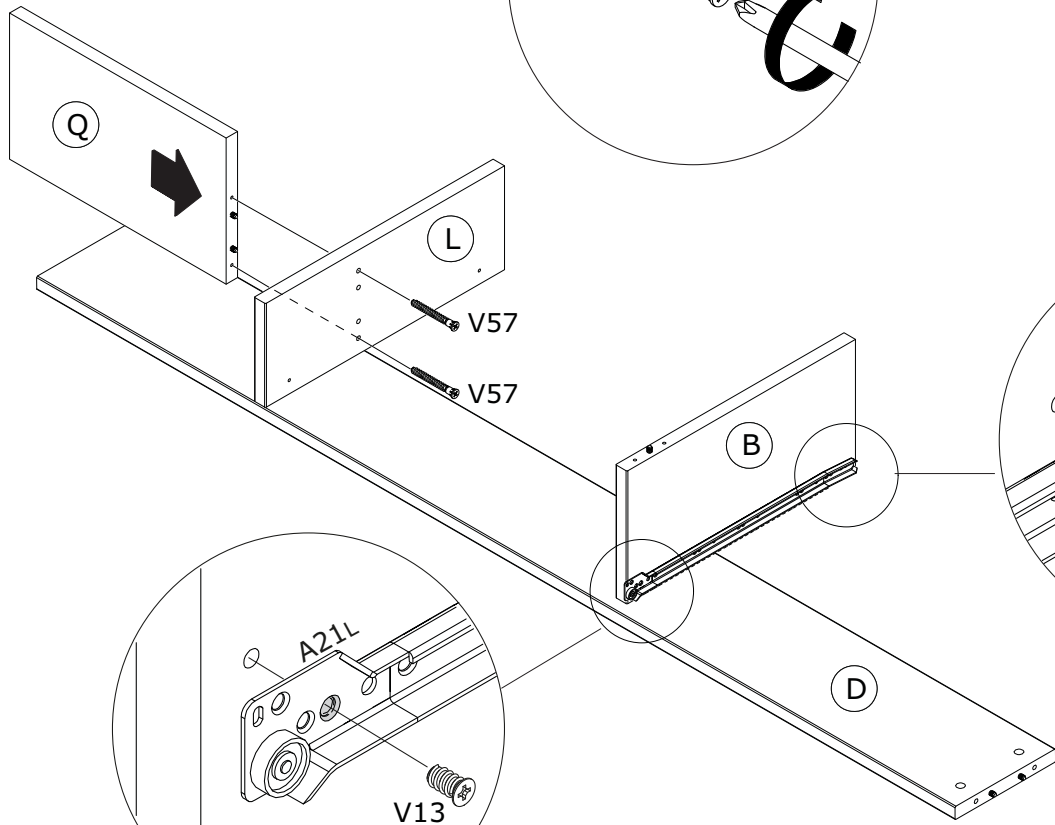
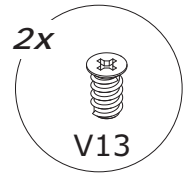
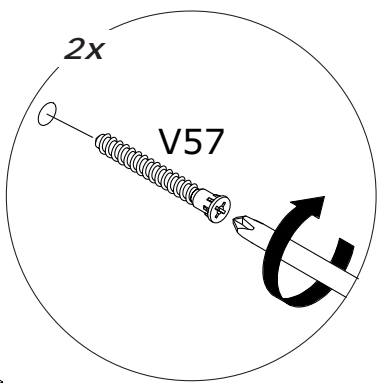
12



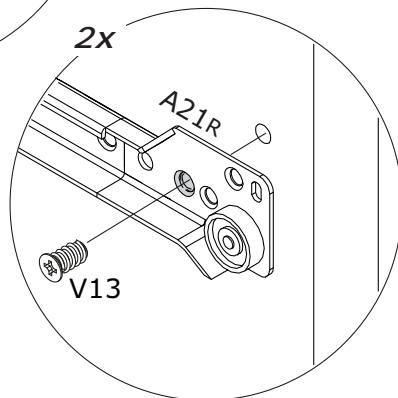
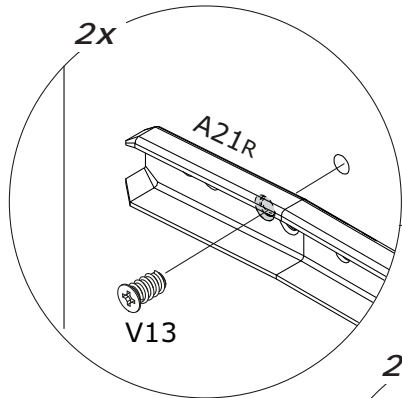
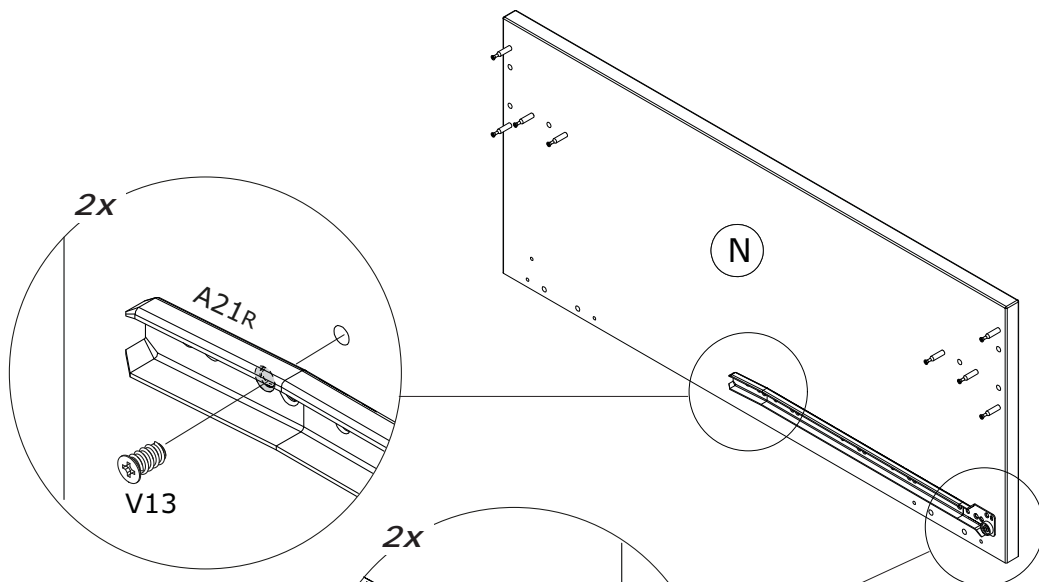
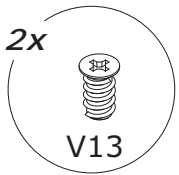
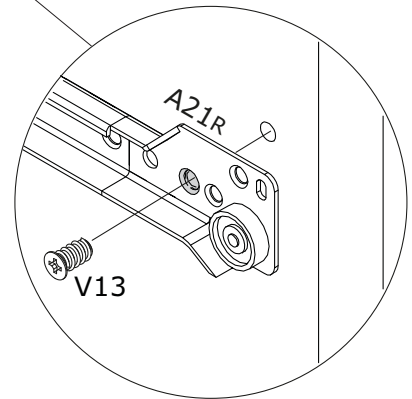
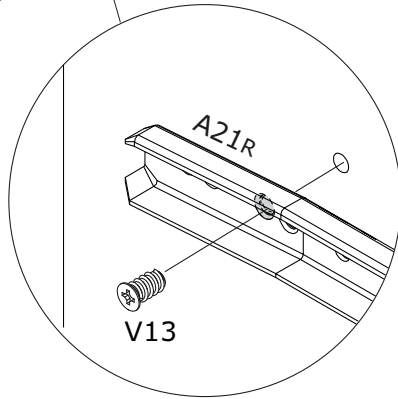
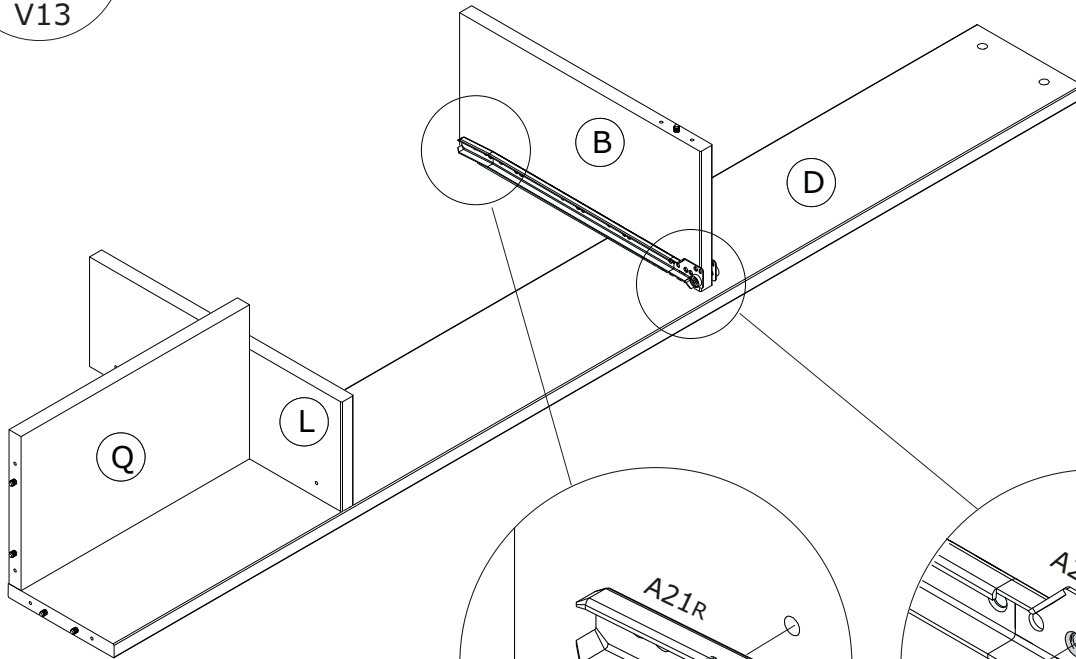
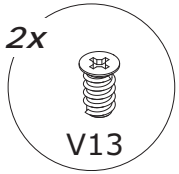
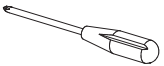
A



13

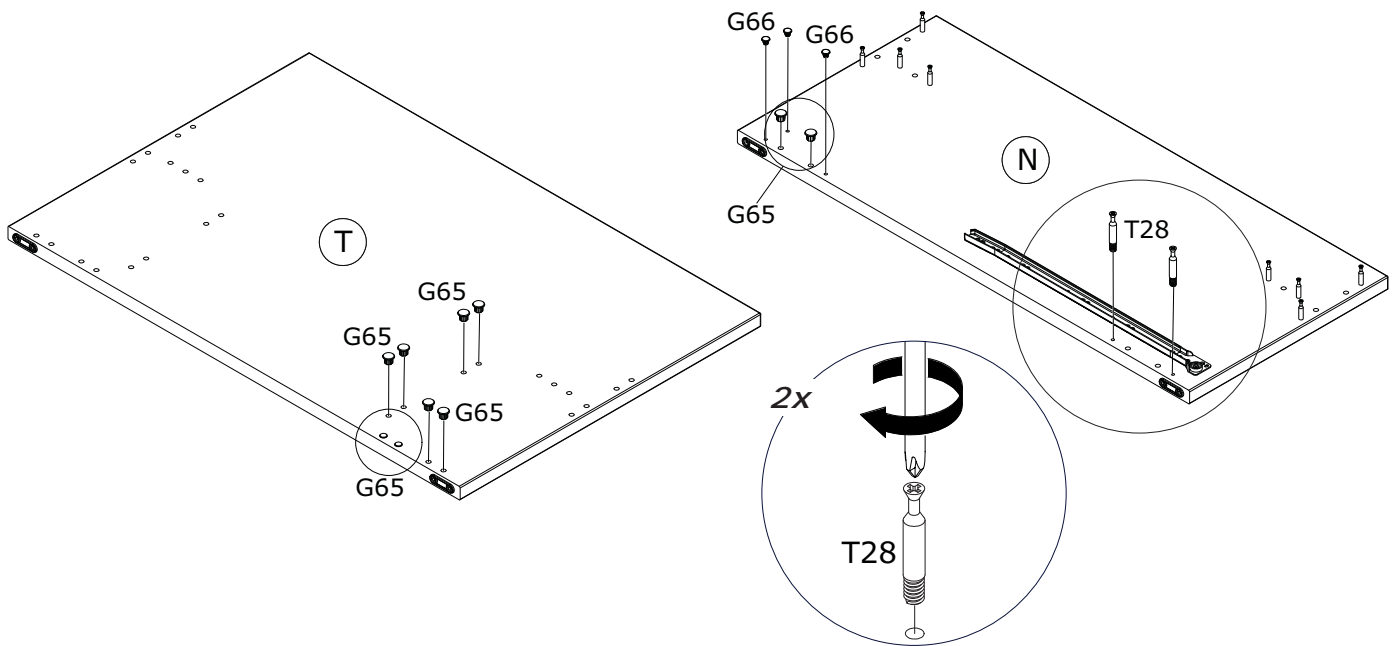
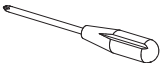


A

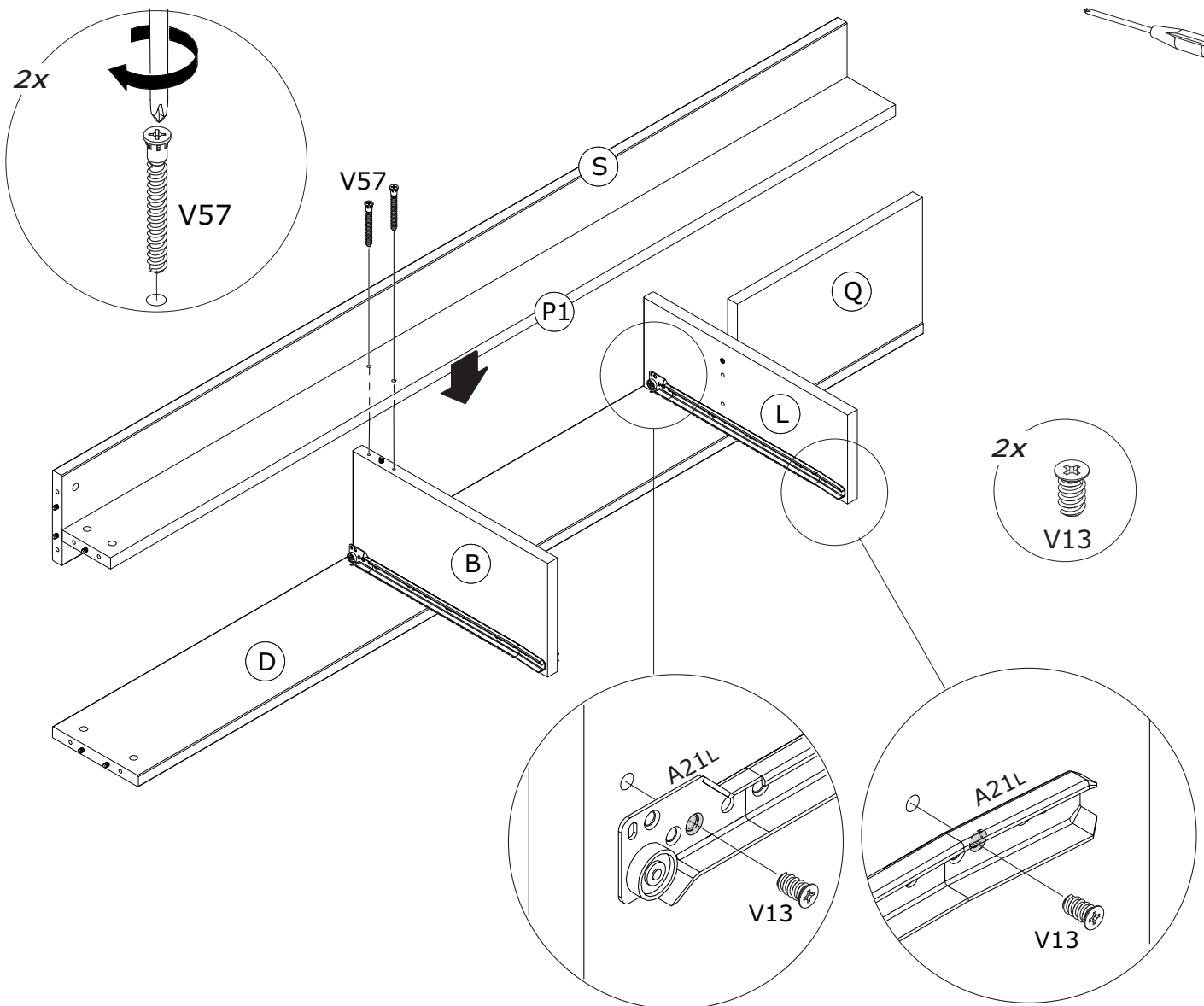
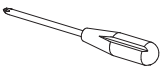


15

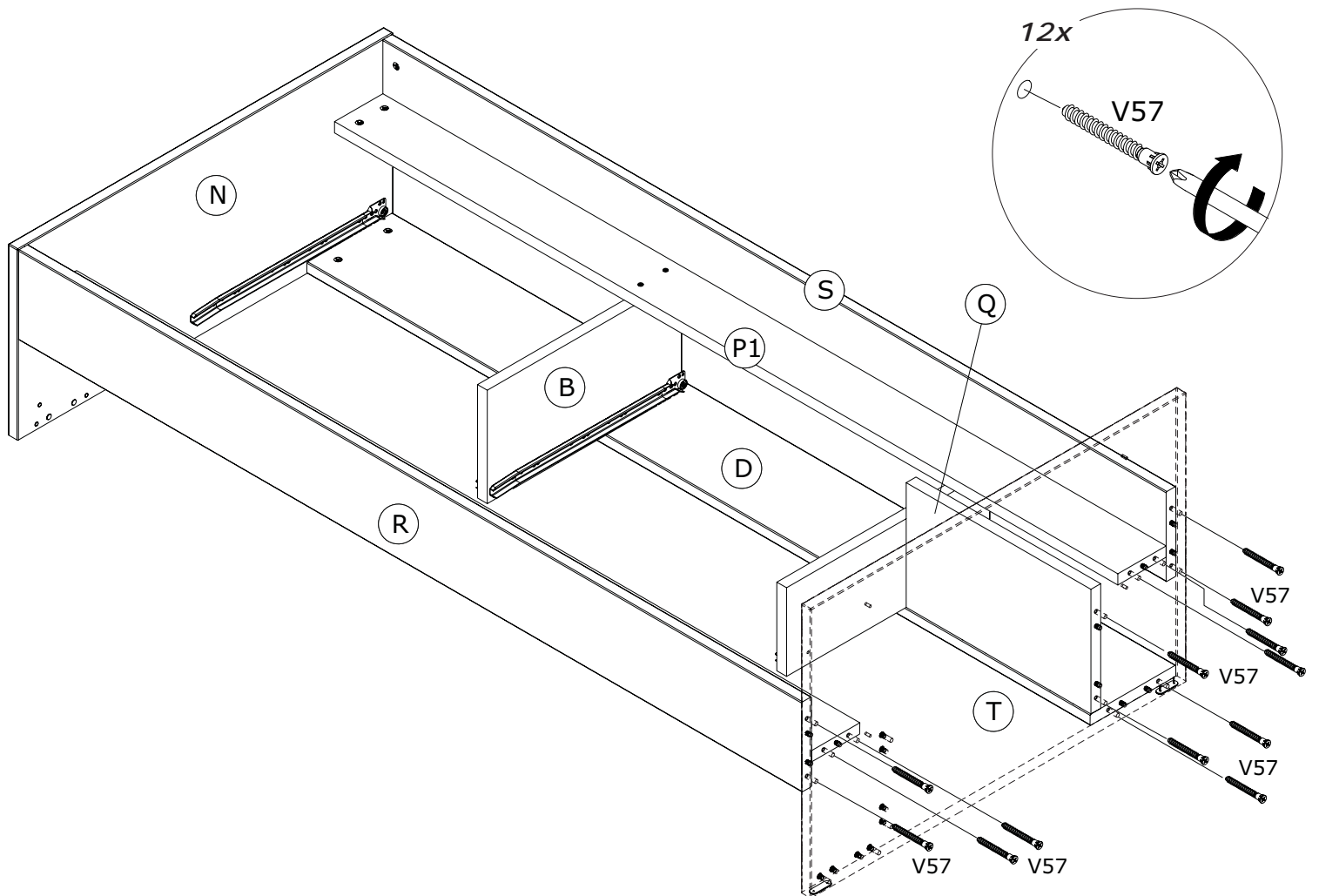
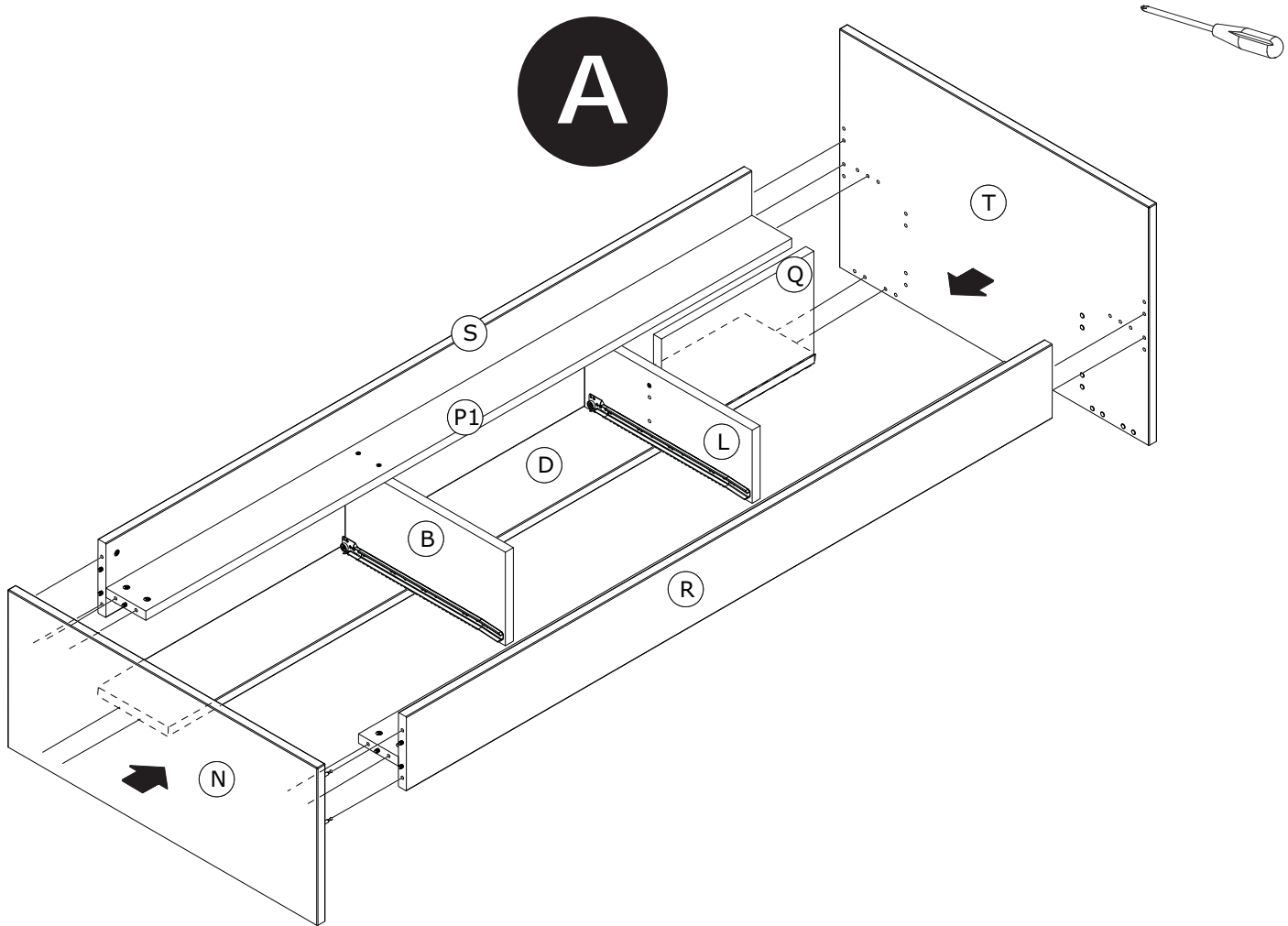
A



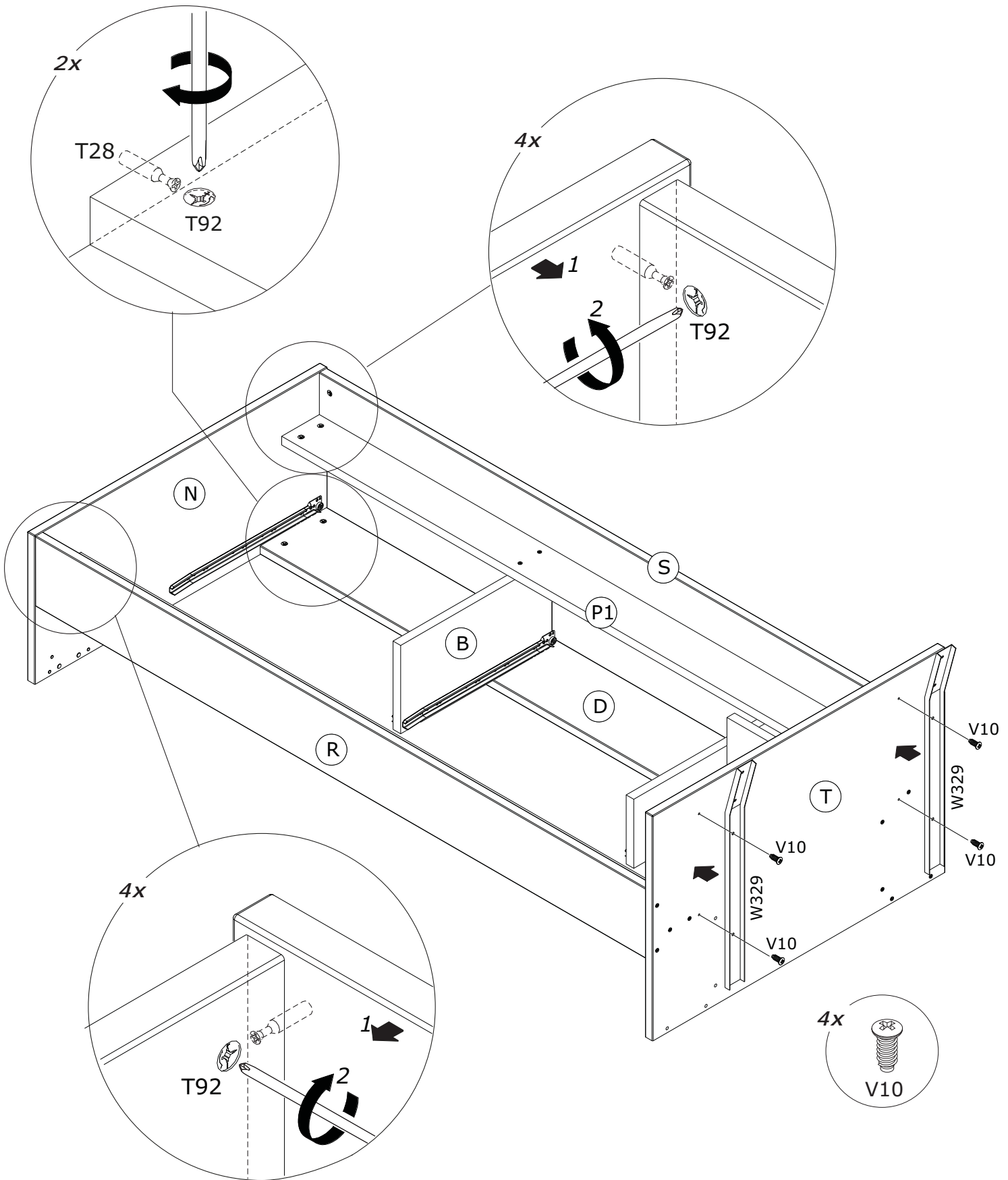
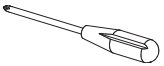
16



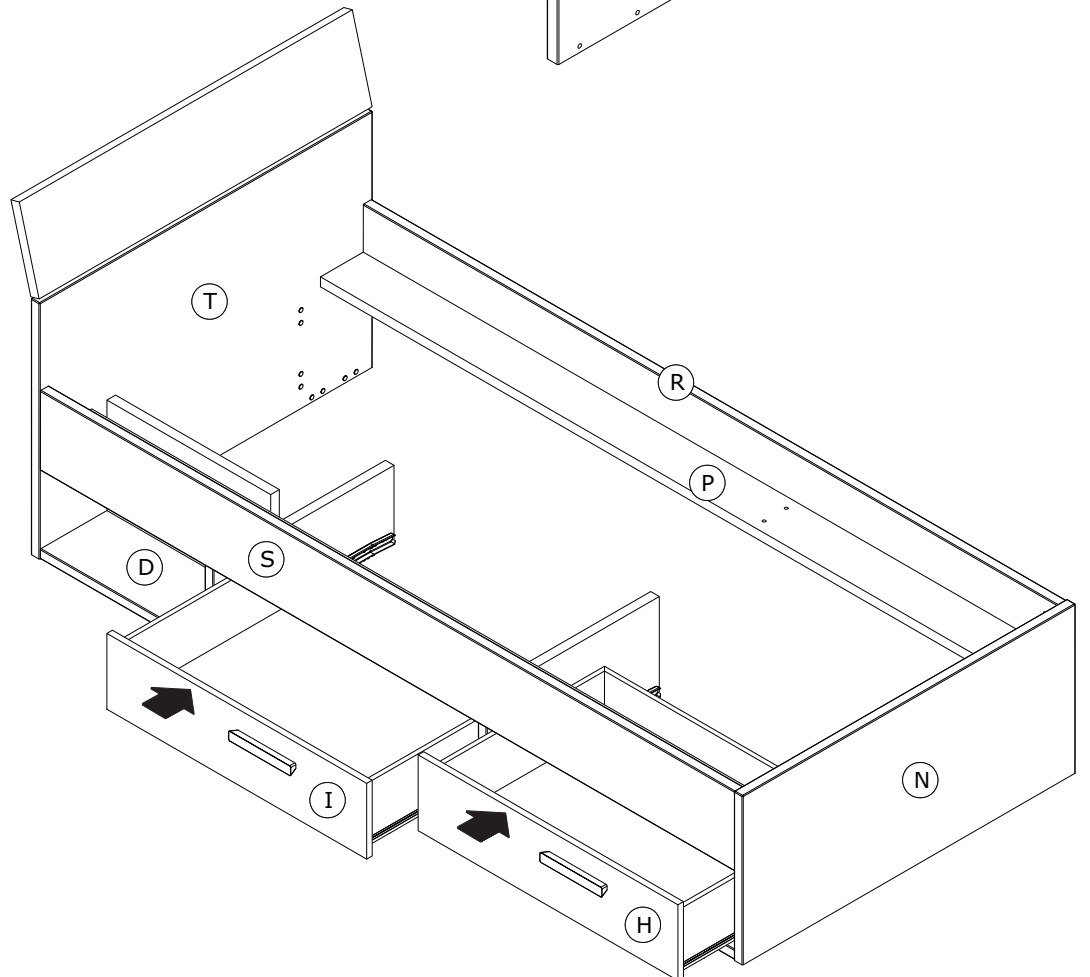
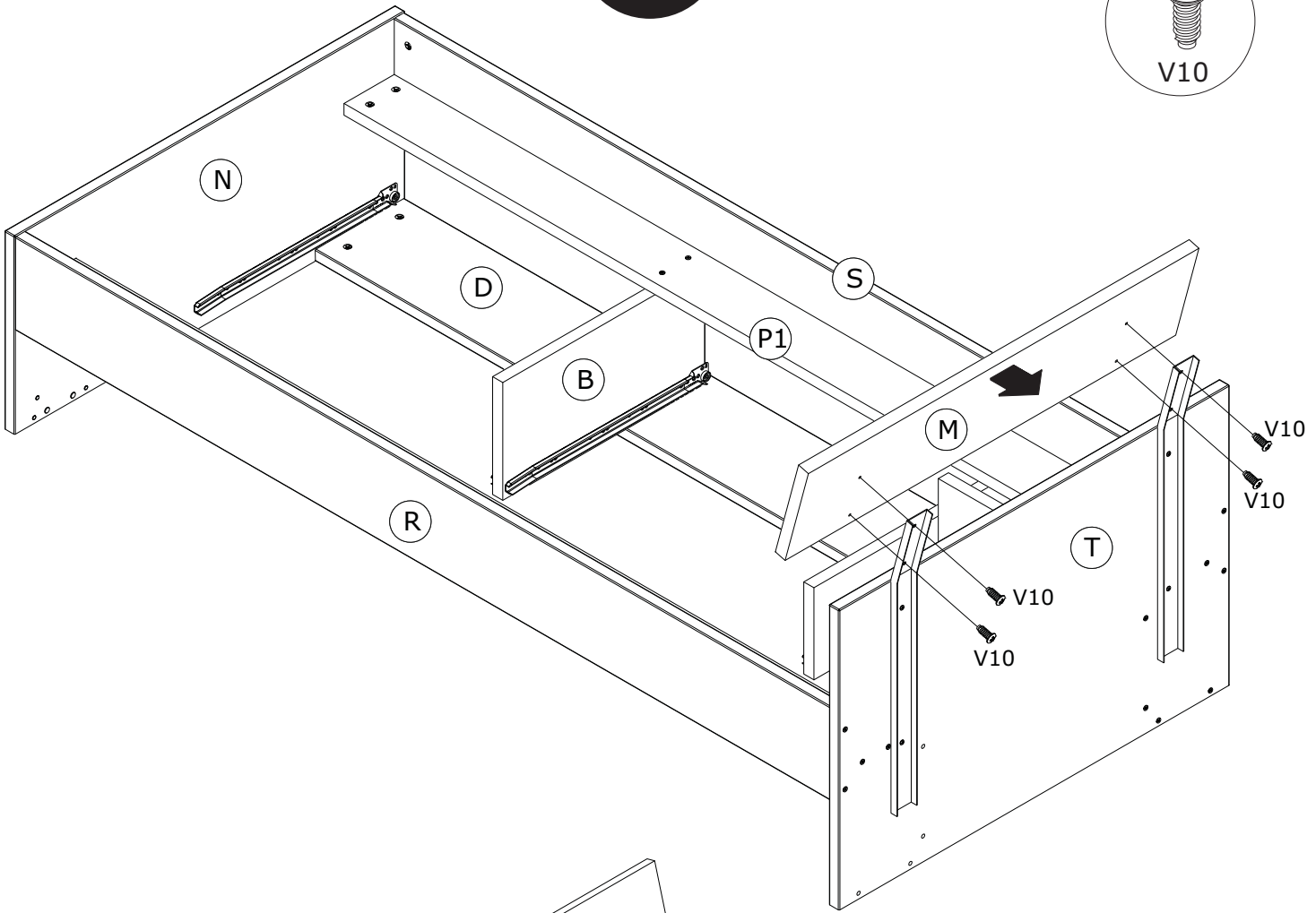
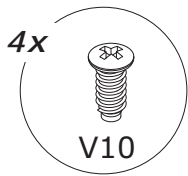
A



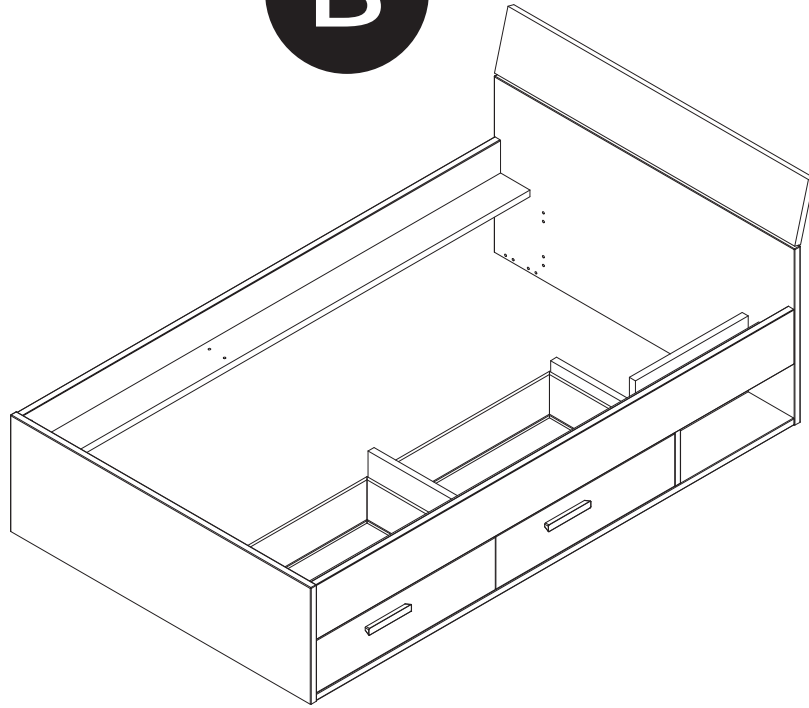
A



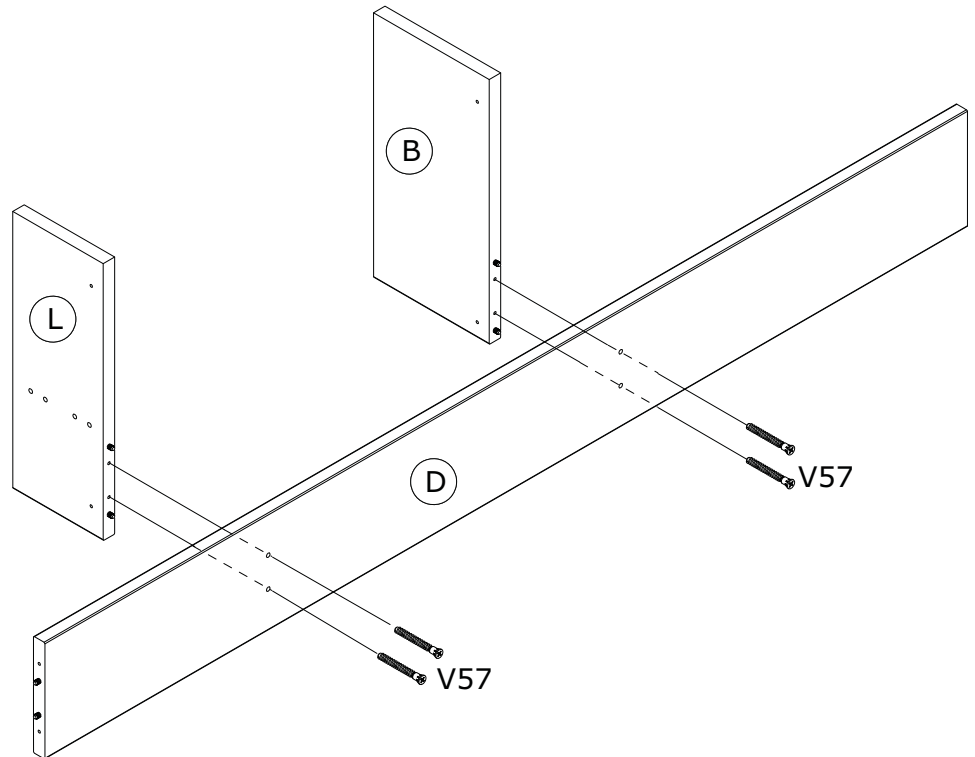
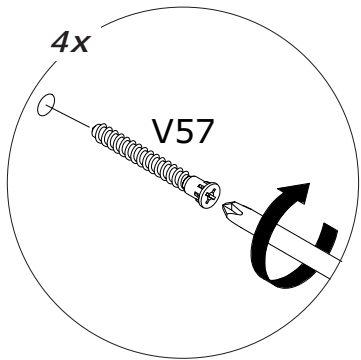
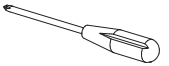
A



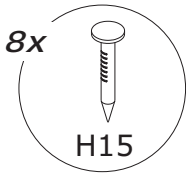
B



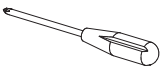
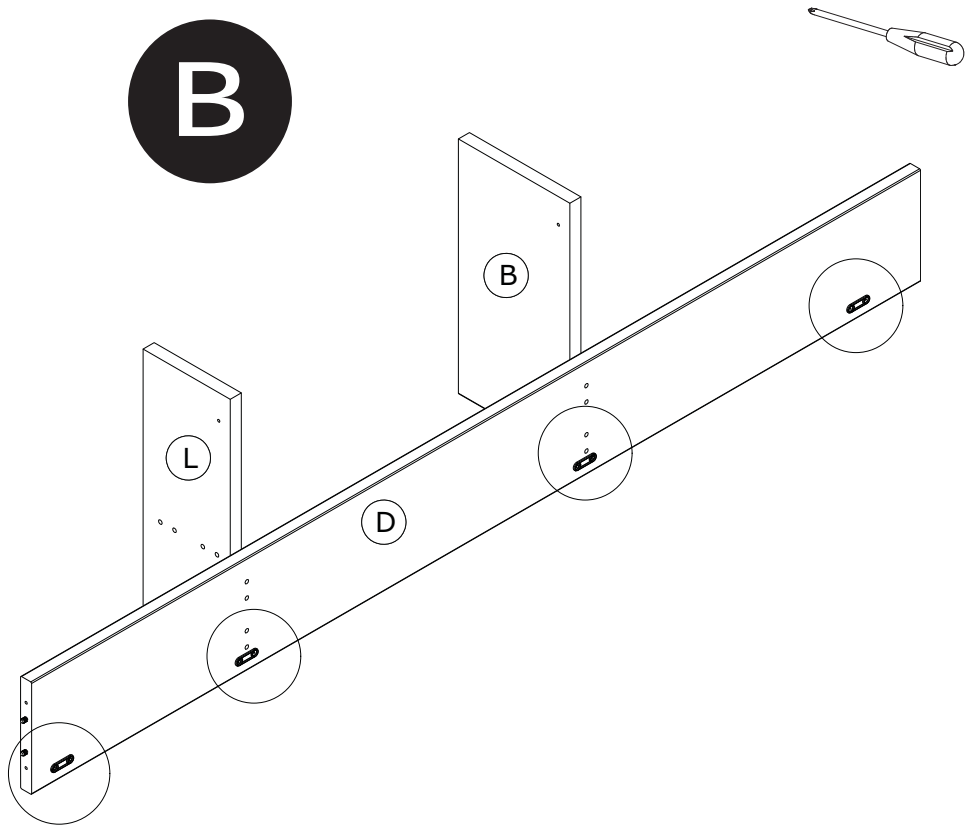
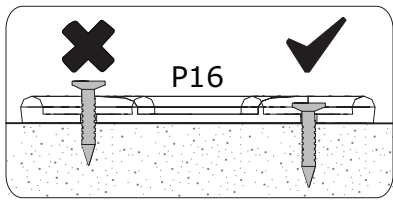
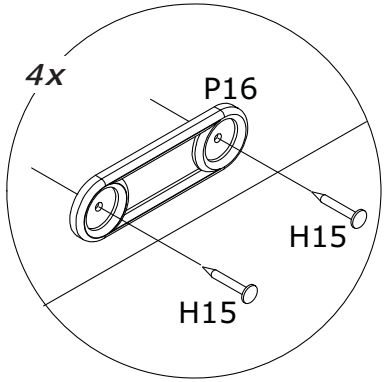
11



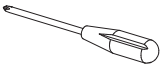
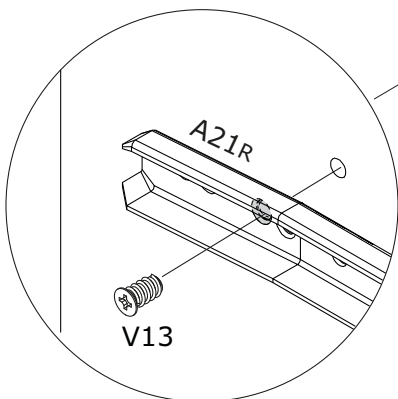
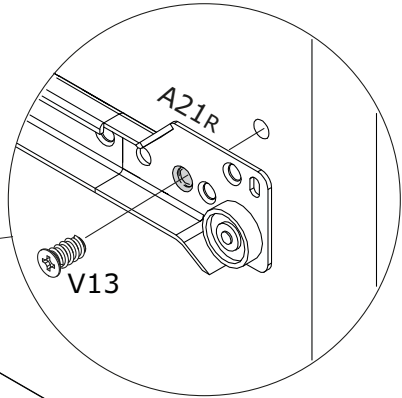
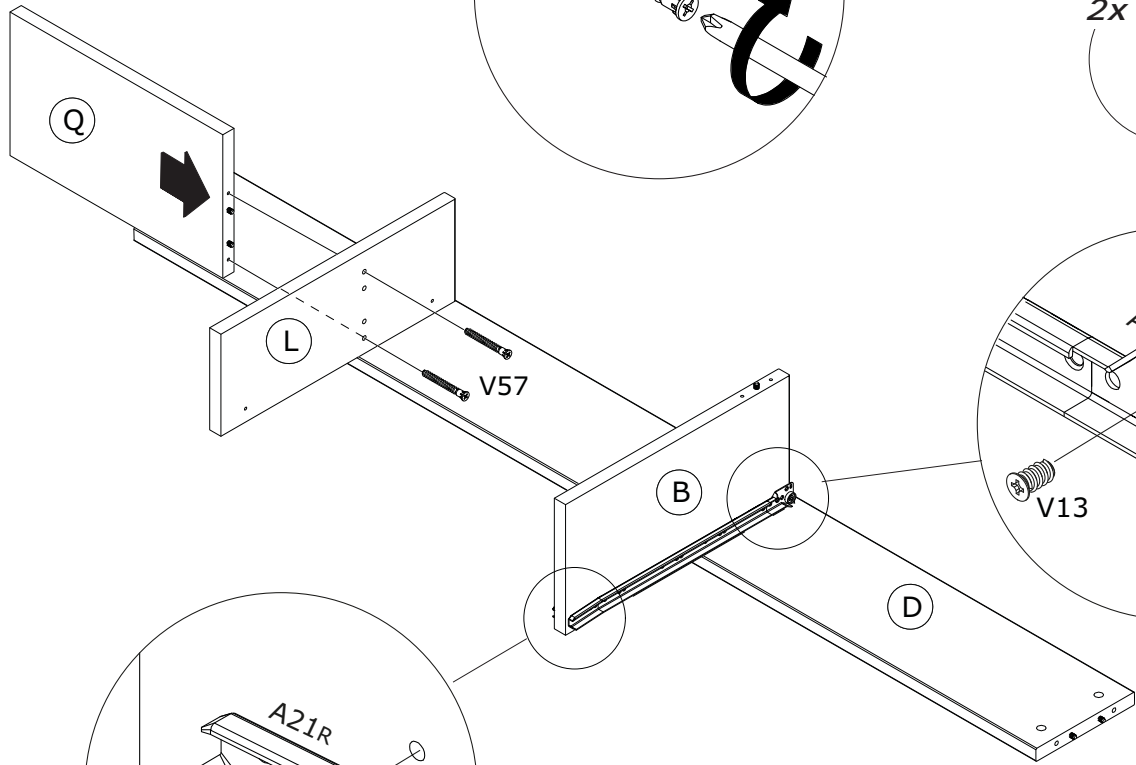
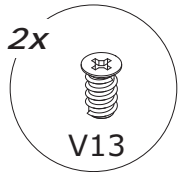
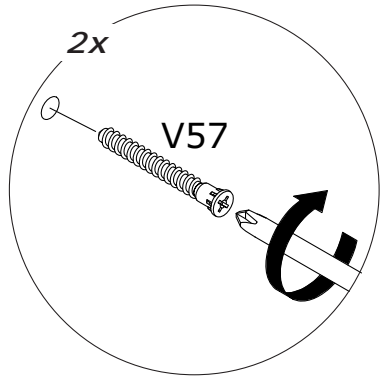
12



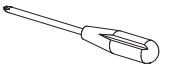
B



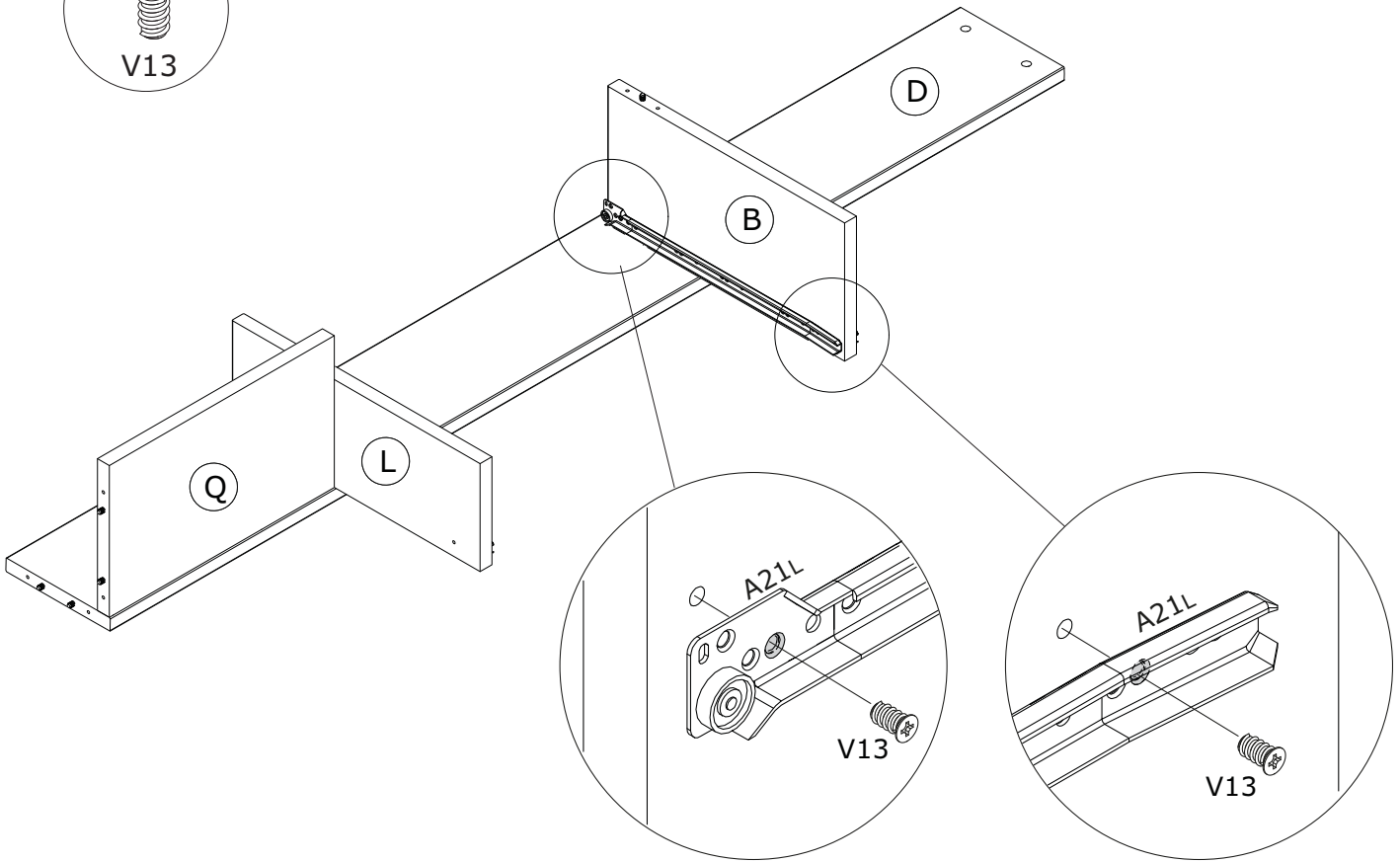
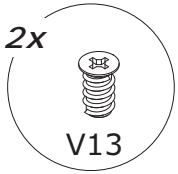
13



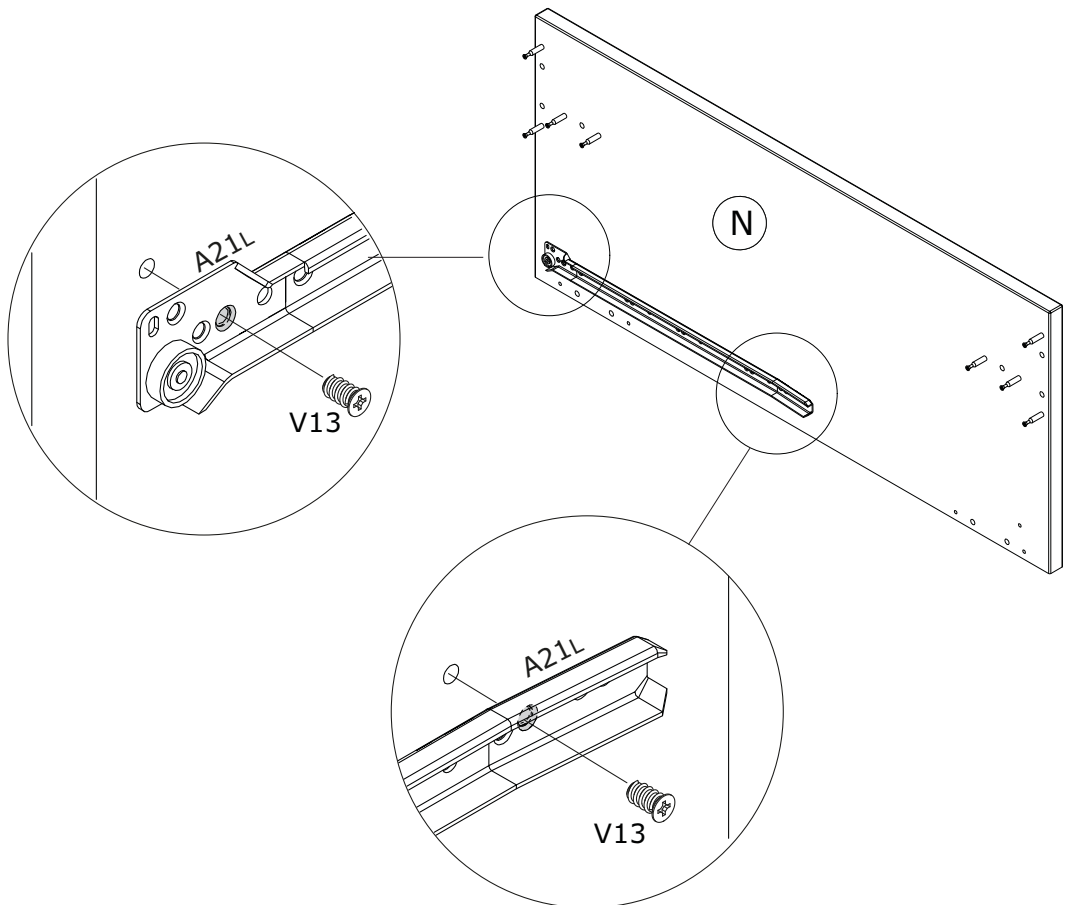
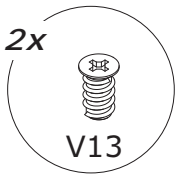
B



2x

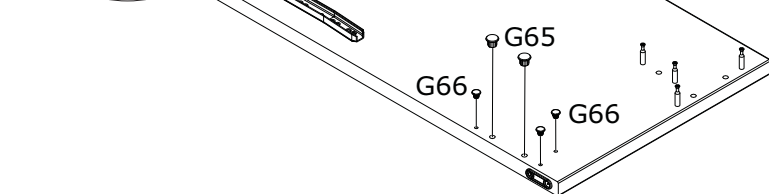
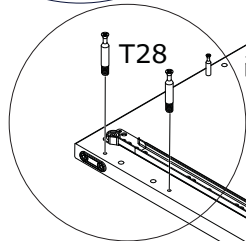
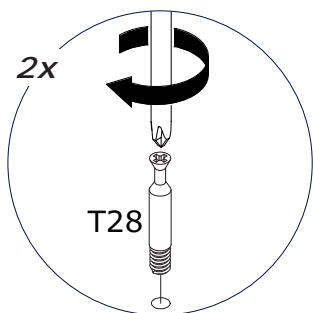


2x

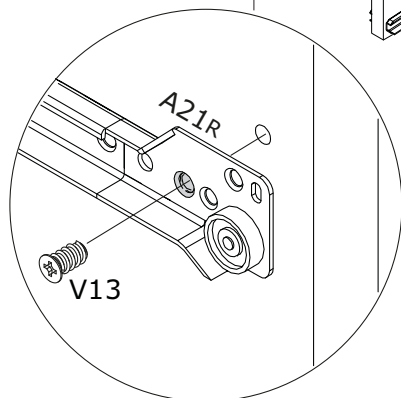
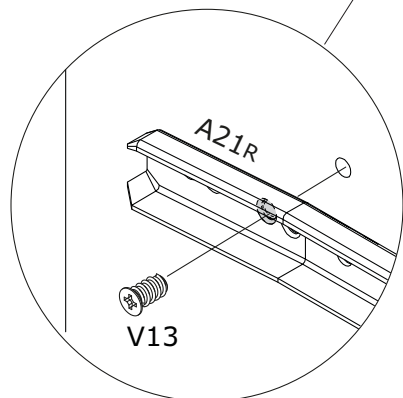
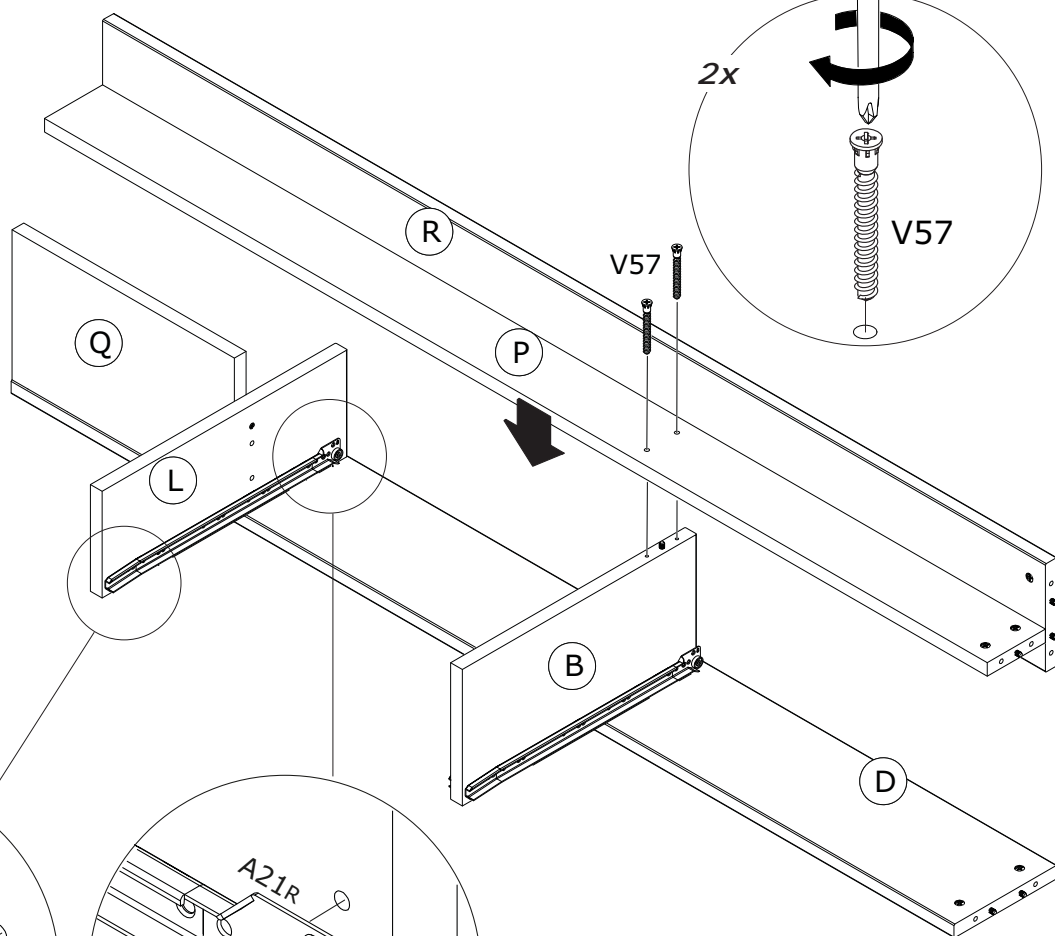
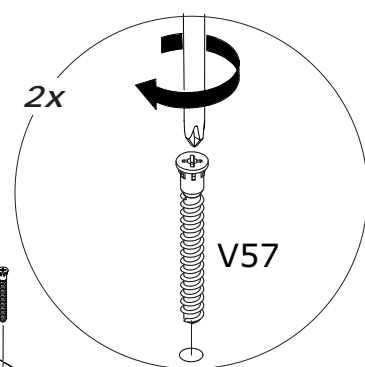


15

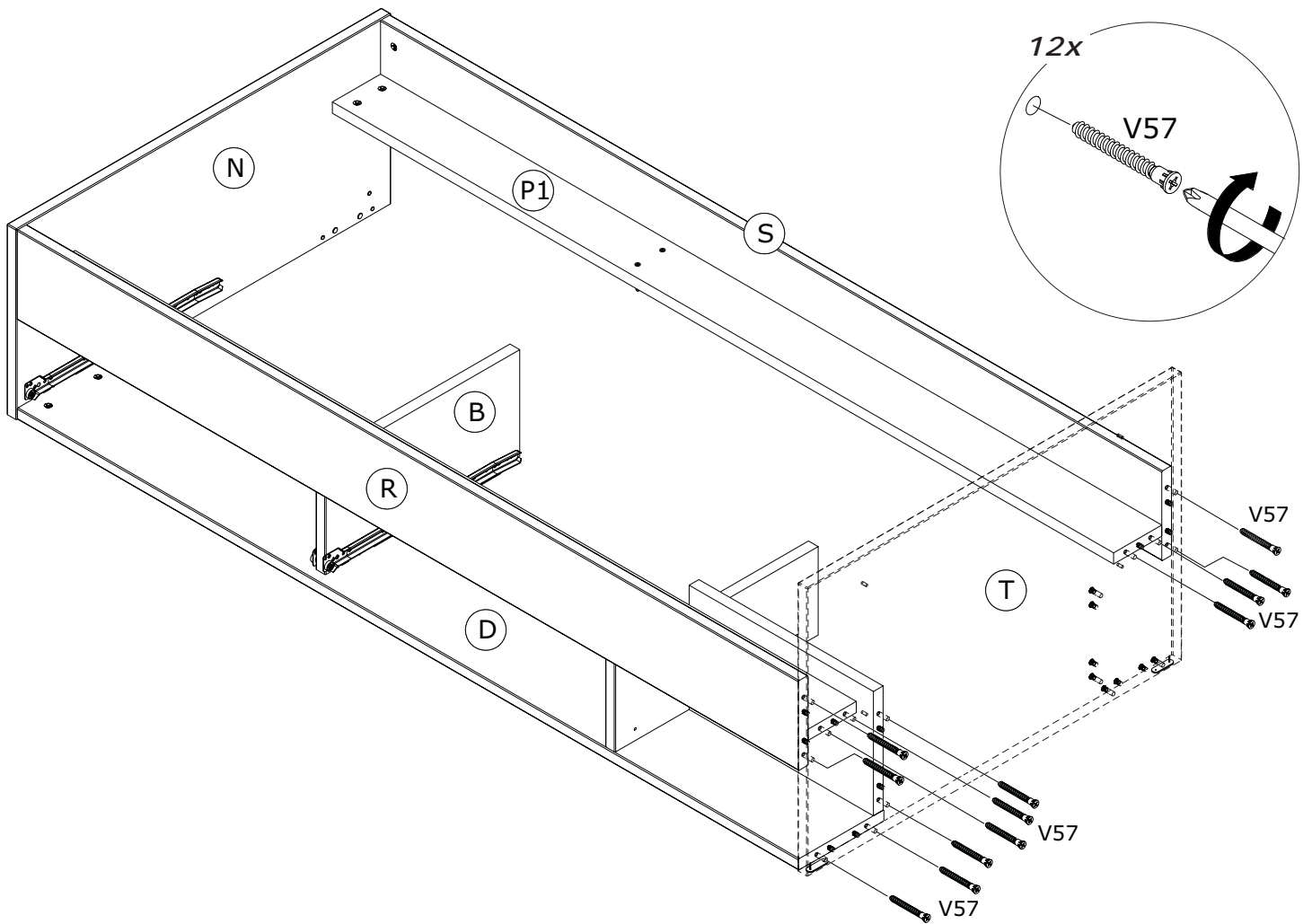
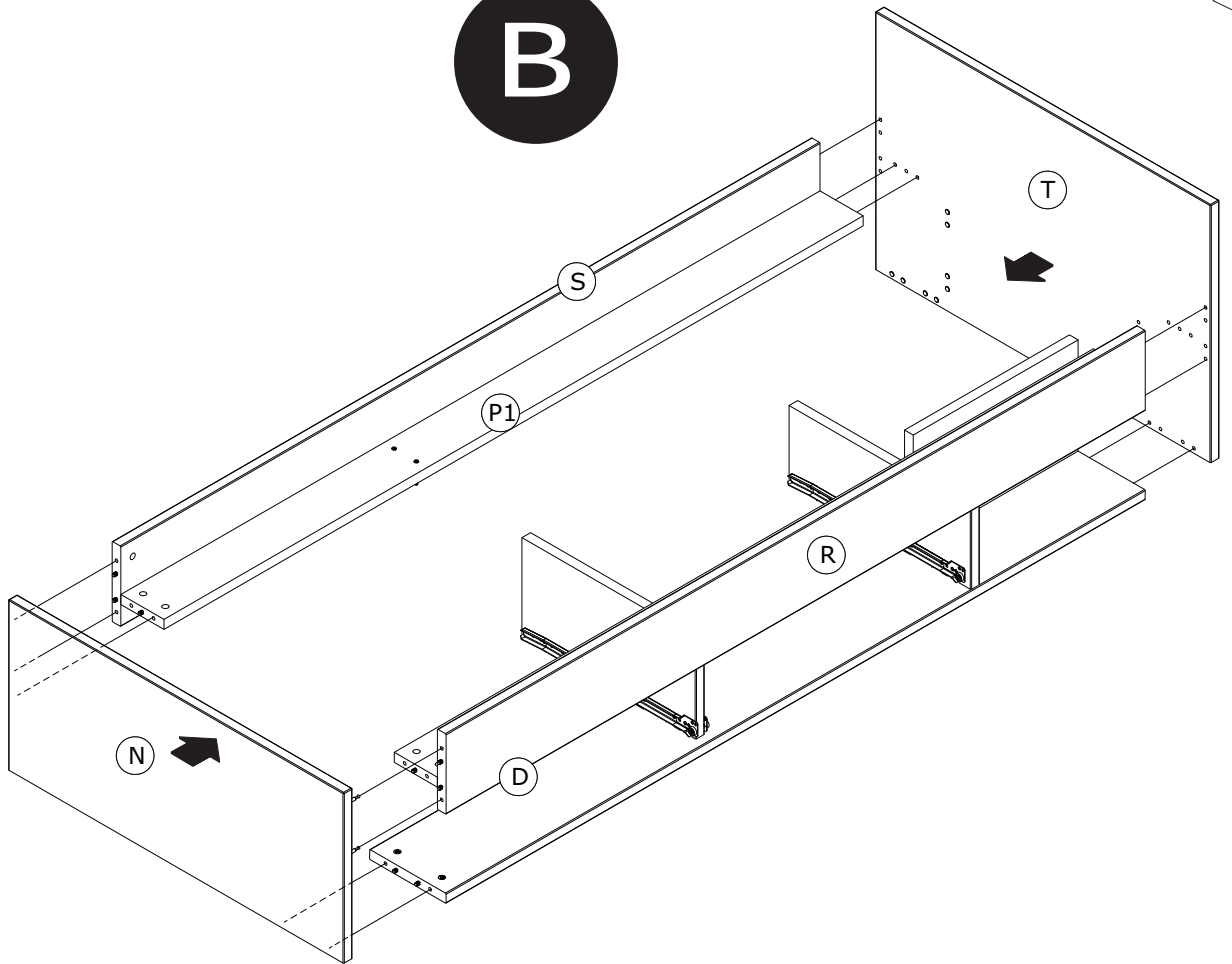
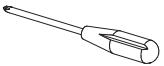
B



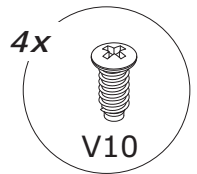
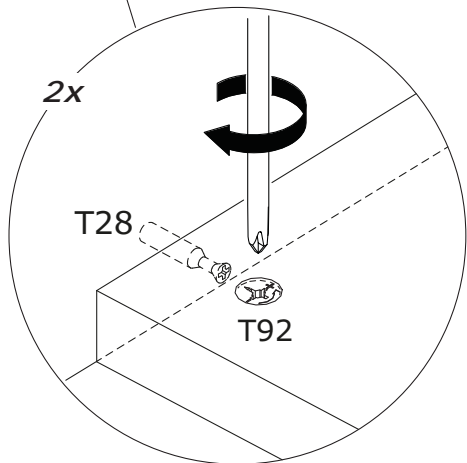
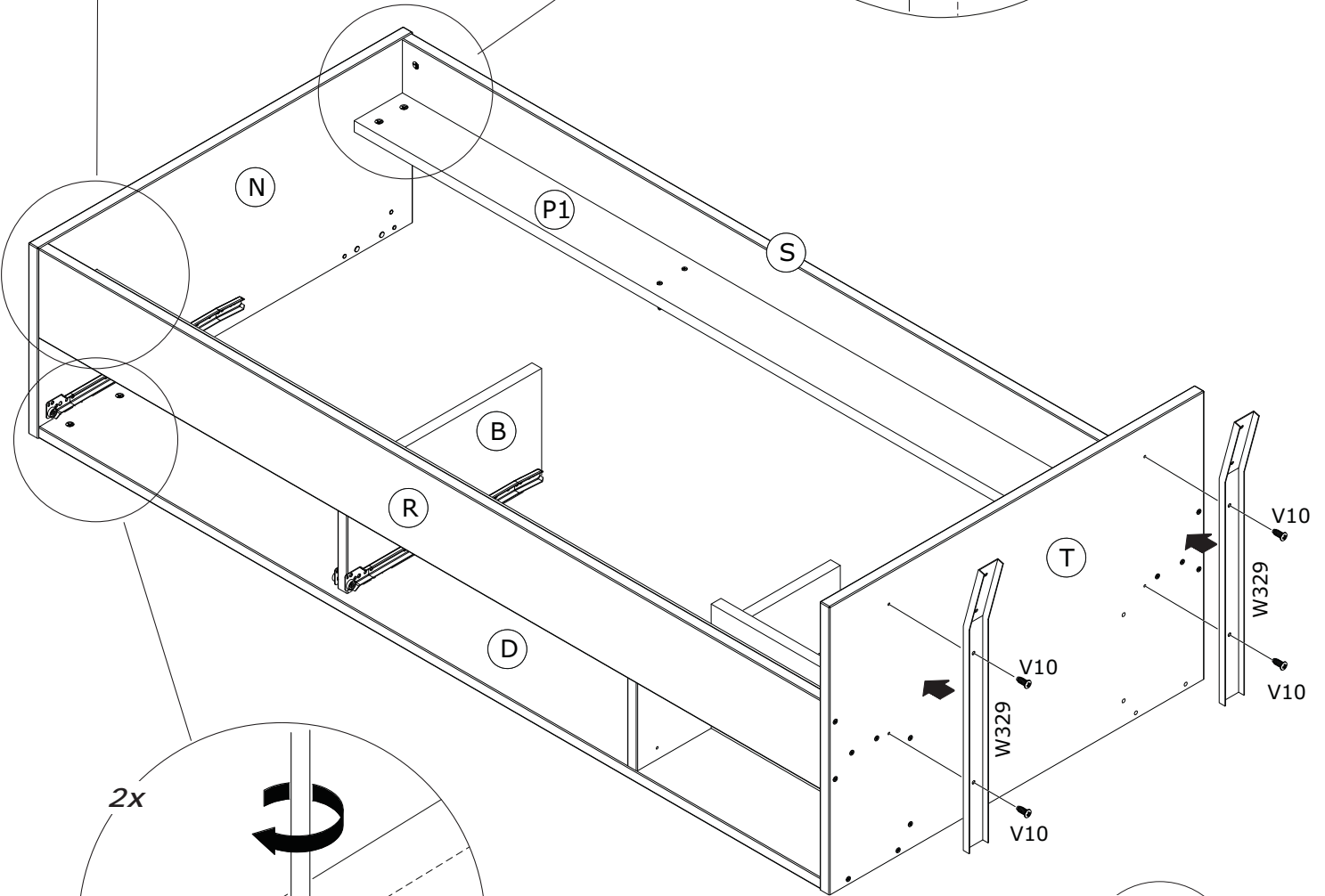
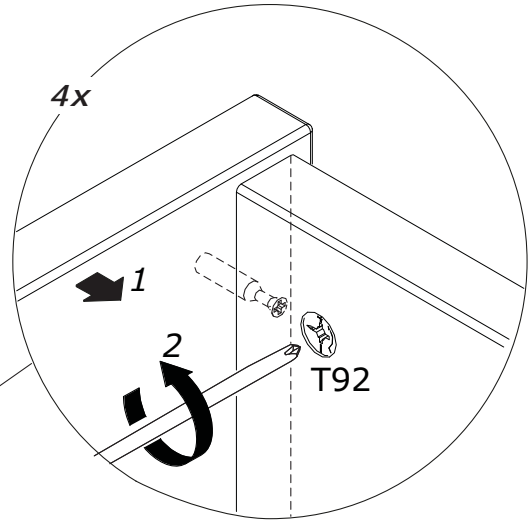
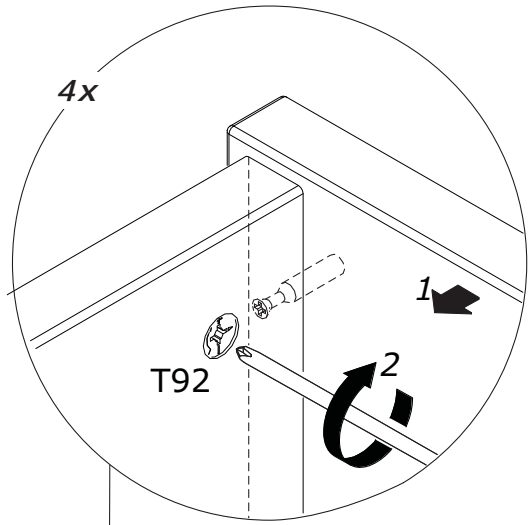
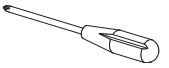
16



B



B



B

