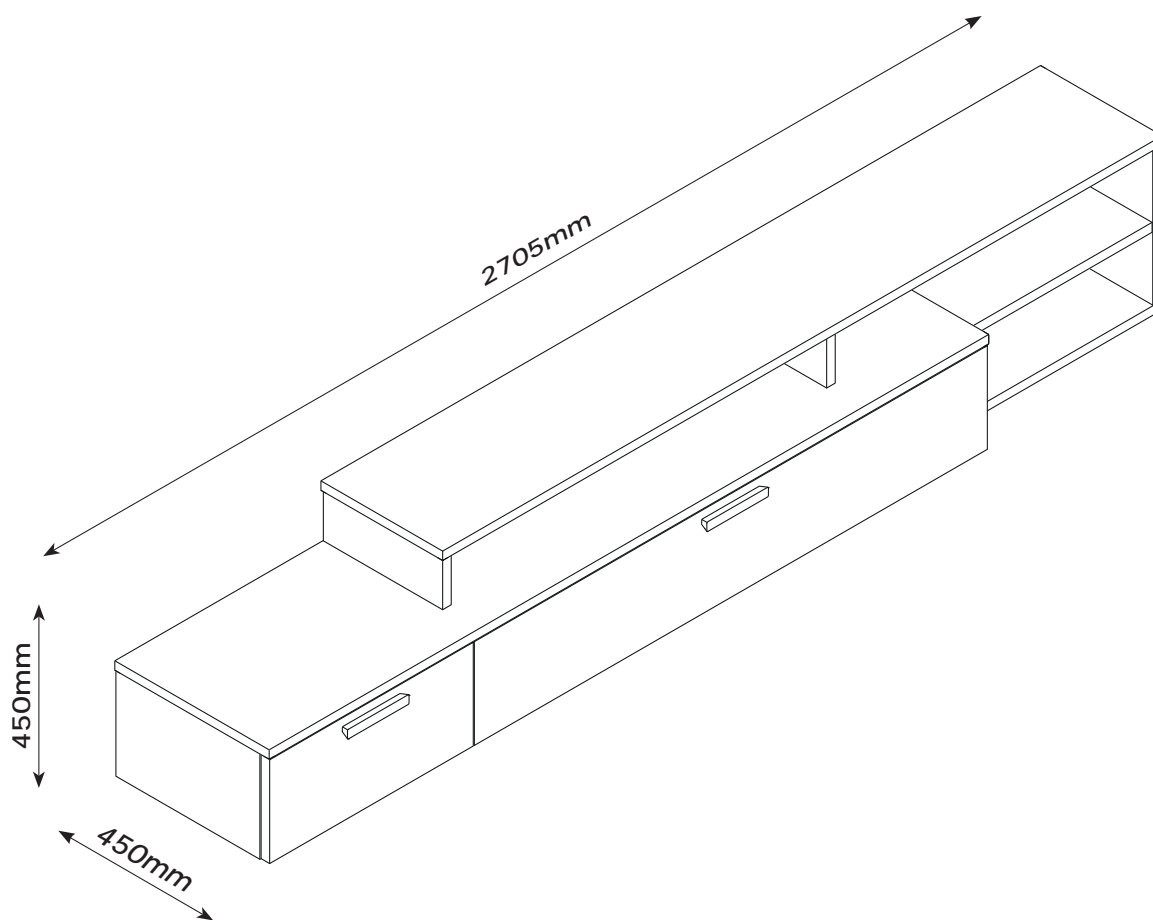
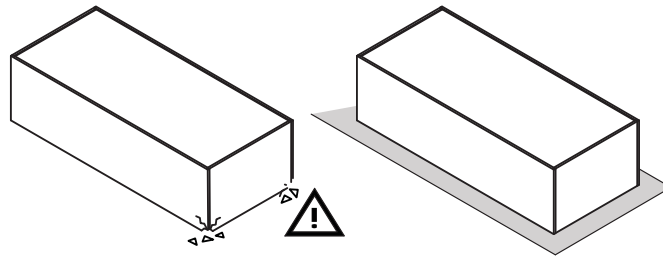
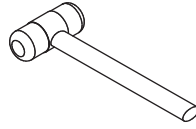
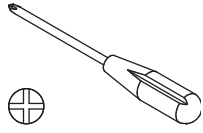
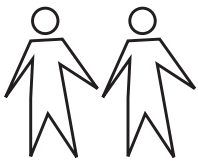


BS3344K62904

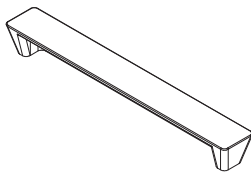


QF4965-2

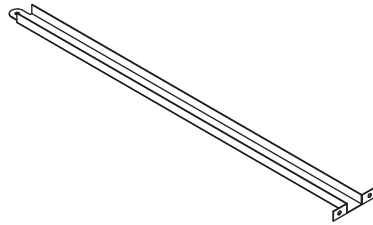




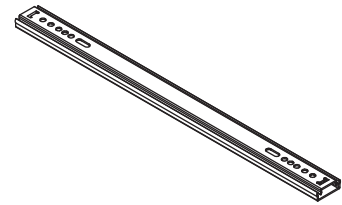
BU4103



M176
x2

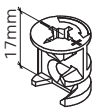


W398
x1



A34
x2

BU4100



T92
x8



T99
x10



T98
x4



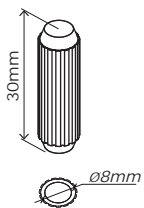
H54
x14



H15
x19



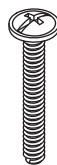
V5
x26



H1
x26



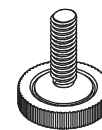
V38
x2



V35
x4



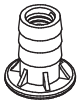
V57
x8



P34
x10



T28
x22



T94
x10



V81
x4



H2
x16



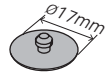
V98
x3



H113
x4



G136
x4



G108
x6

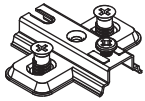


G117
x4

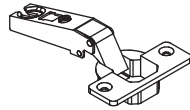


R40
x4

BU4211



B30
x3

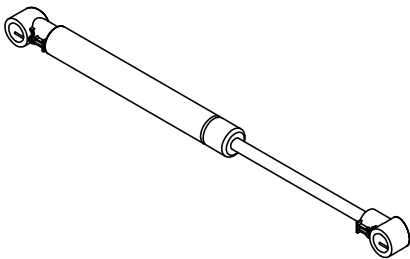


C66
x3

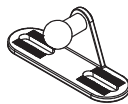


V5
x6

BU3321



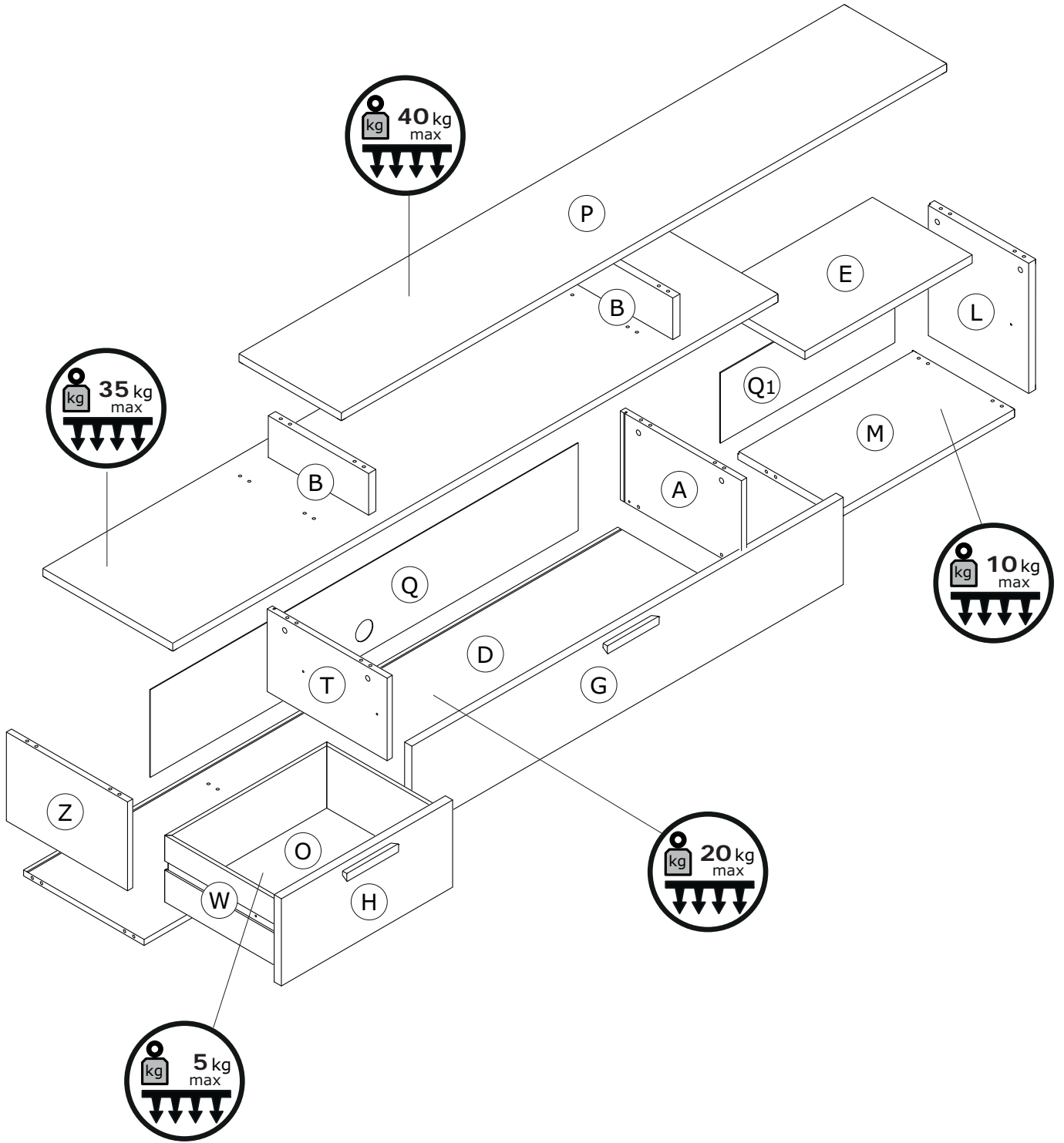
H246
x1

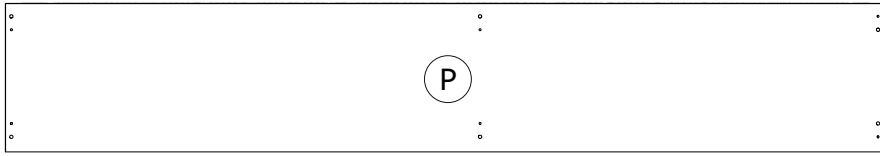


H230
x1

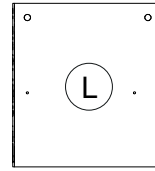


H231
x1

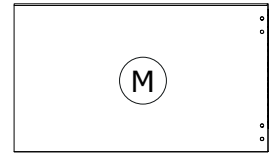




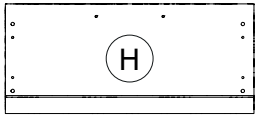
CA3486
2100x355x25mm



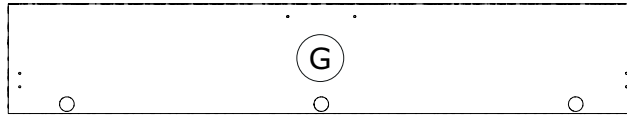
FI8467
391x352x25mm



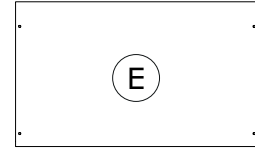
BA2127
607x354x25mm



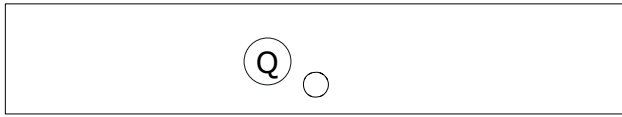
CS3217
594x262x25mm



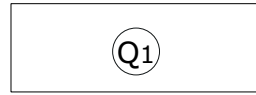
RI0409
1496x262x25mm



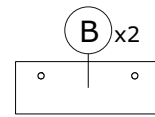
PI7062
580x346x25mm



SS0713
1484x263x2mm

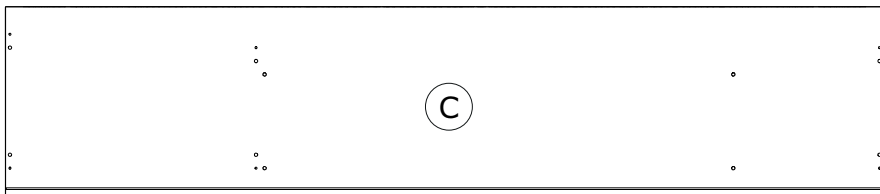


SH3255
605x211x2mm

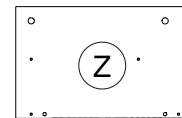


TR2172
125x348x25mm

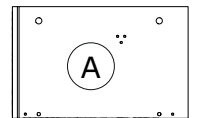
BOX 1/2



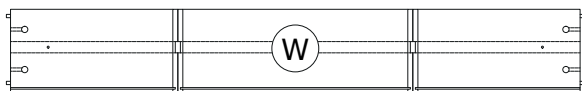
CA3487
2100x450x25mm



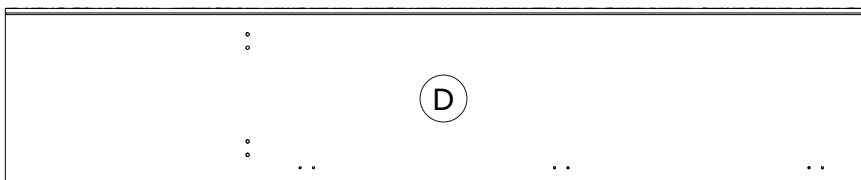
FI8471
267x420x18mm



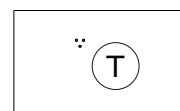
FI8473
267x420x18mm



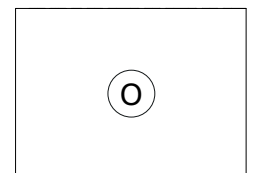
OF0517
400x562x400mm H200mm



BA2128
2060x418x18mm



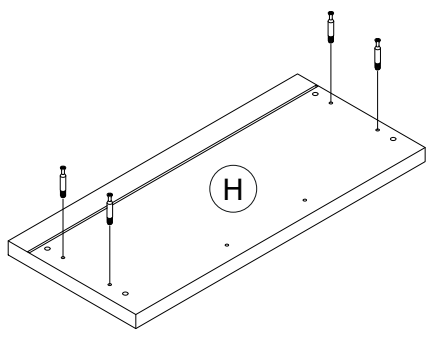
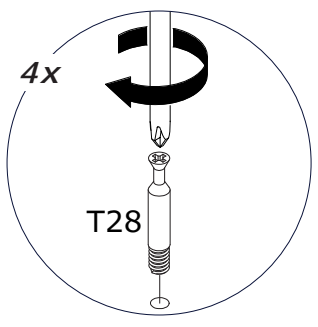
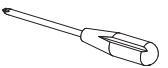
TR2175
248x416x18mm



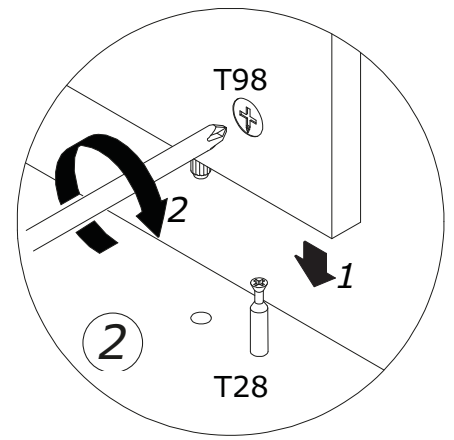
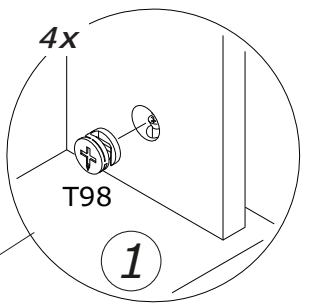
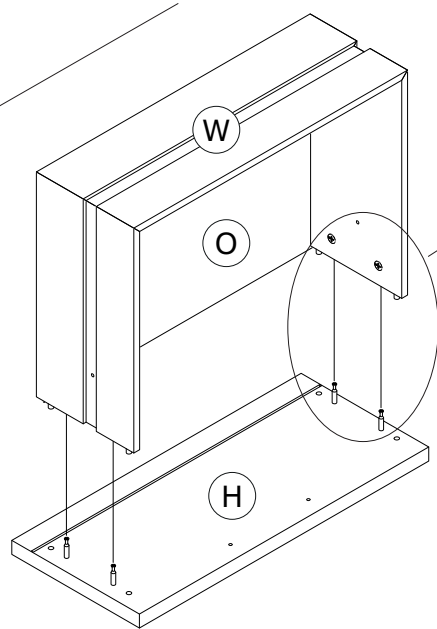
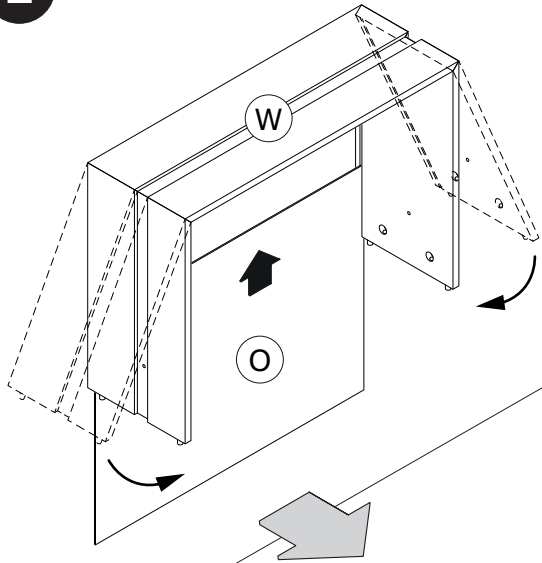
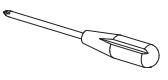
SH3252
551x401x2mm

BOX 2/2

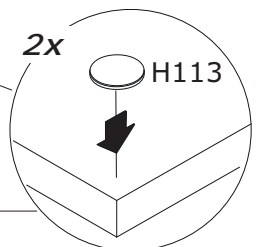
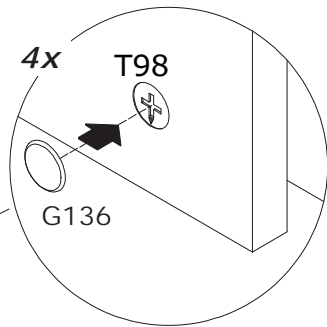
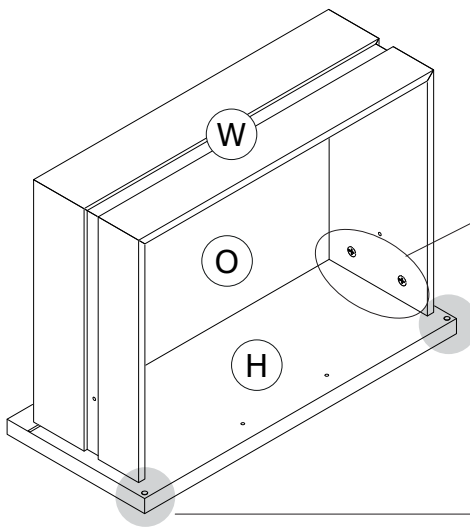
1



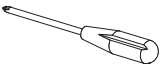
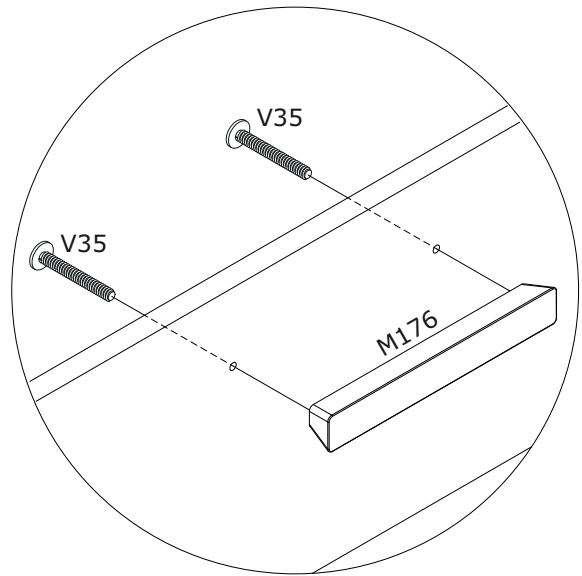
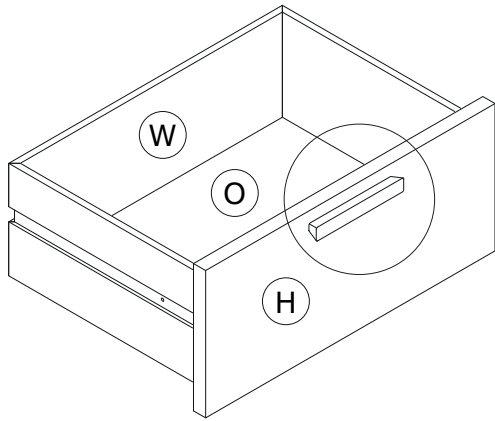
2



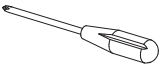
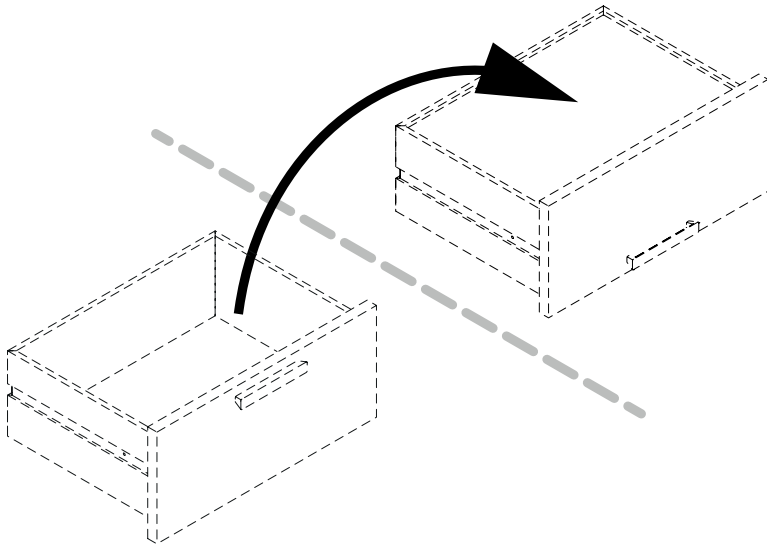
3



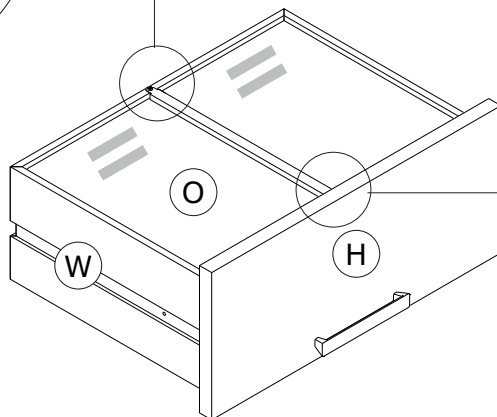
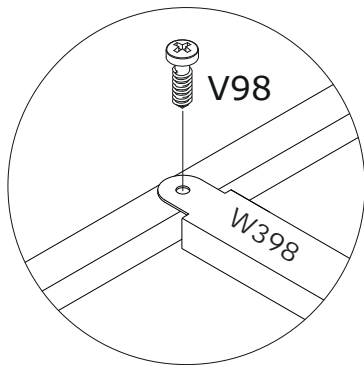
4



5



3x



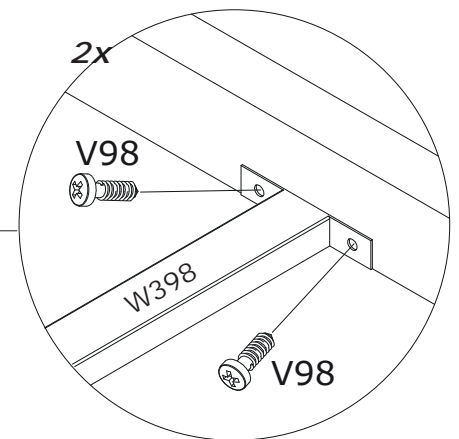
2x

V98

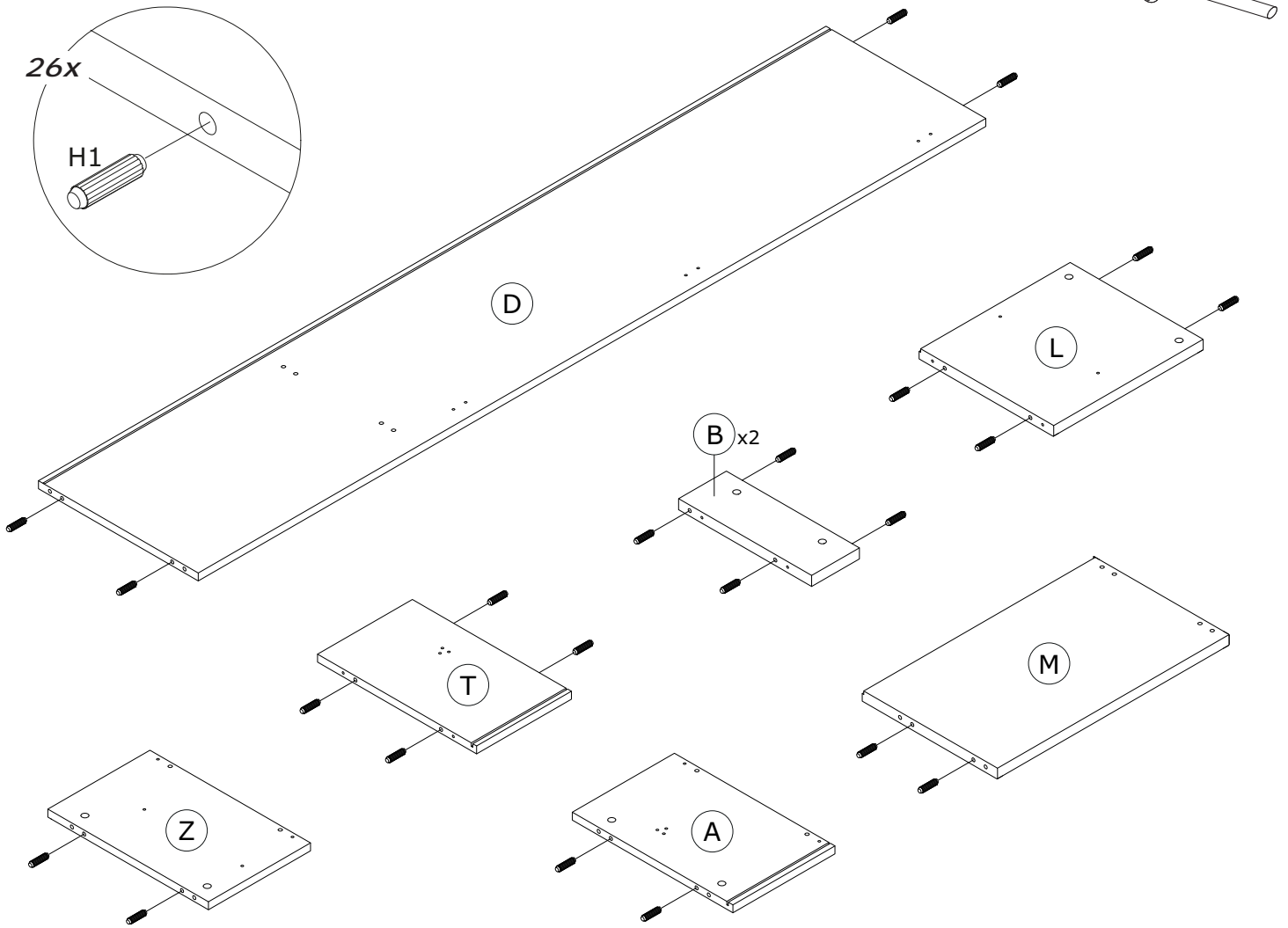


W398

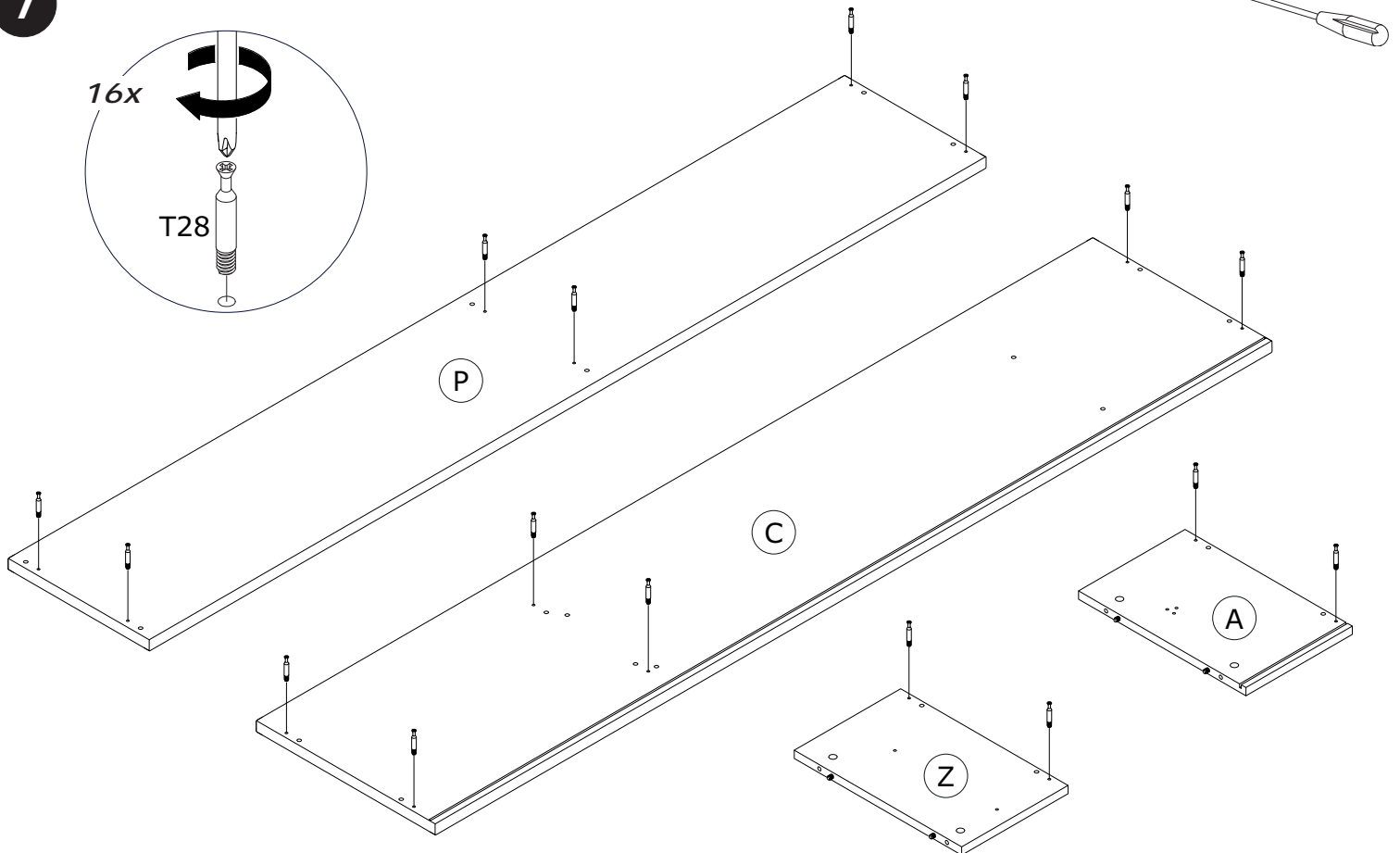
V98



6



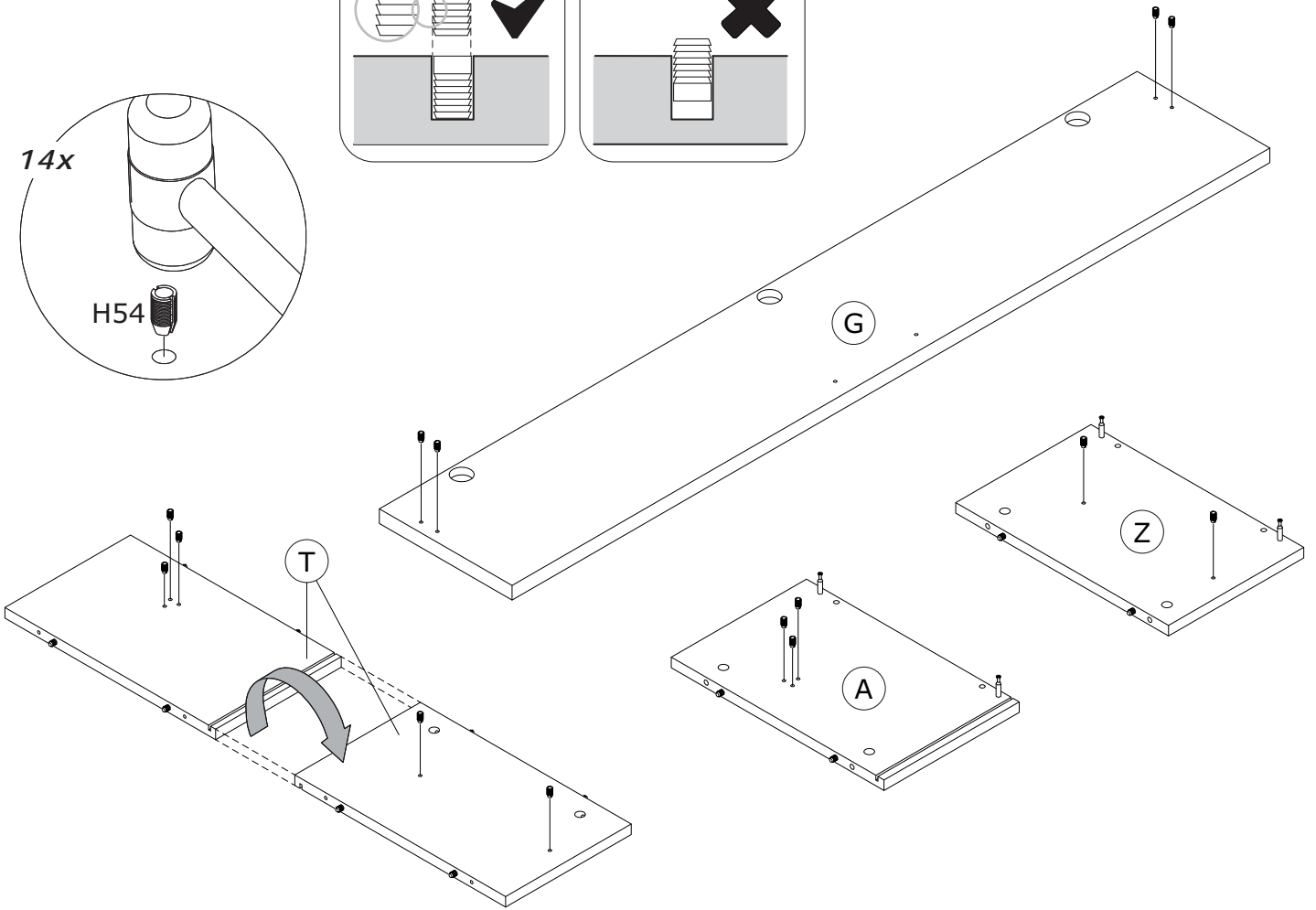
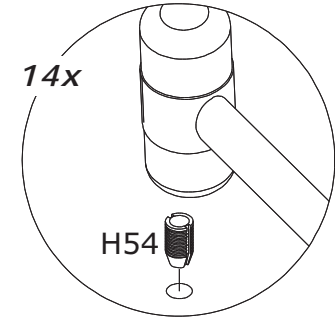
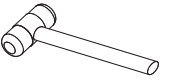
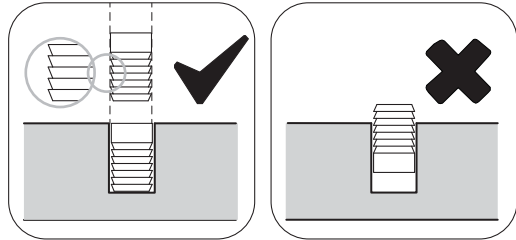
7



8

14x

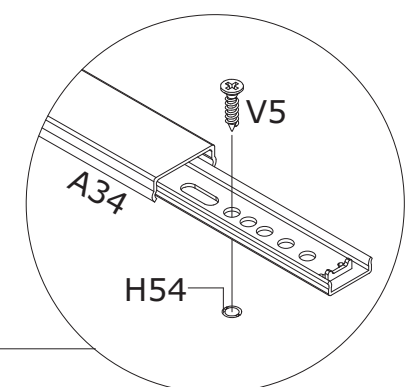
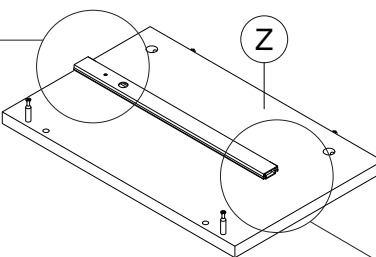
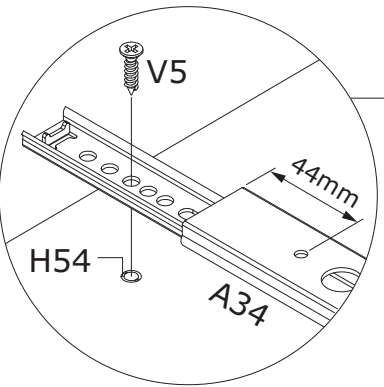
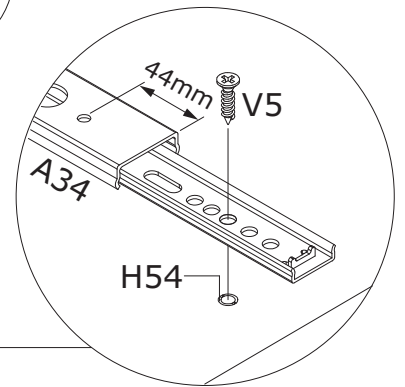
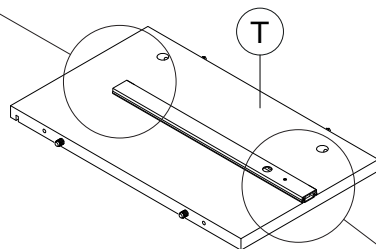
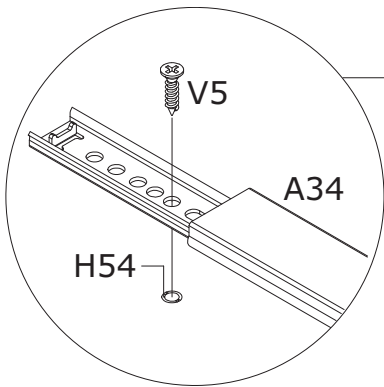
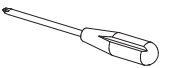
H54



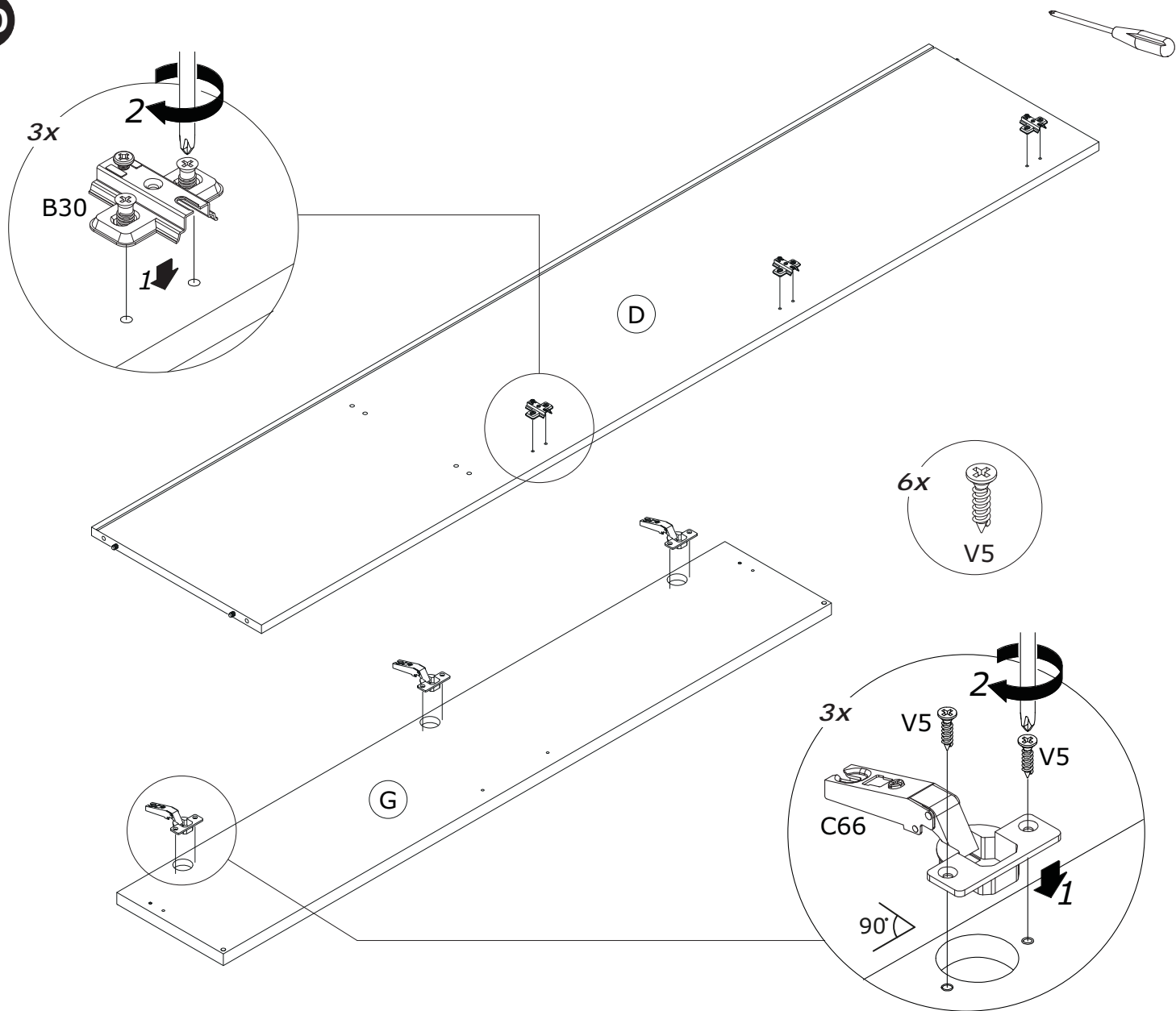
9

4x

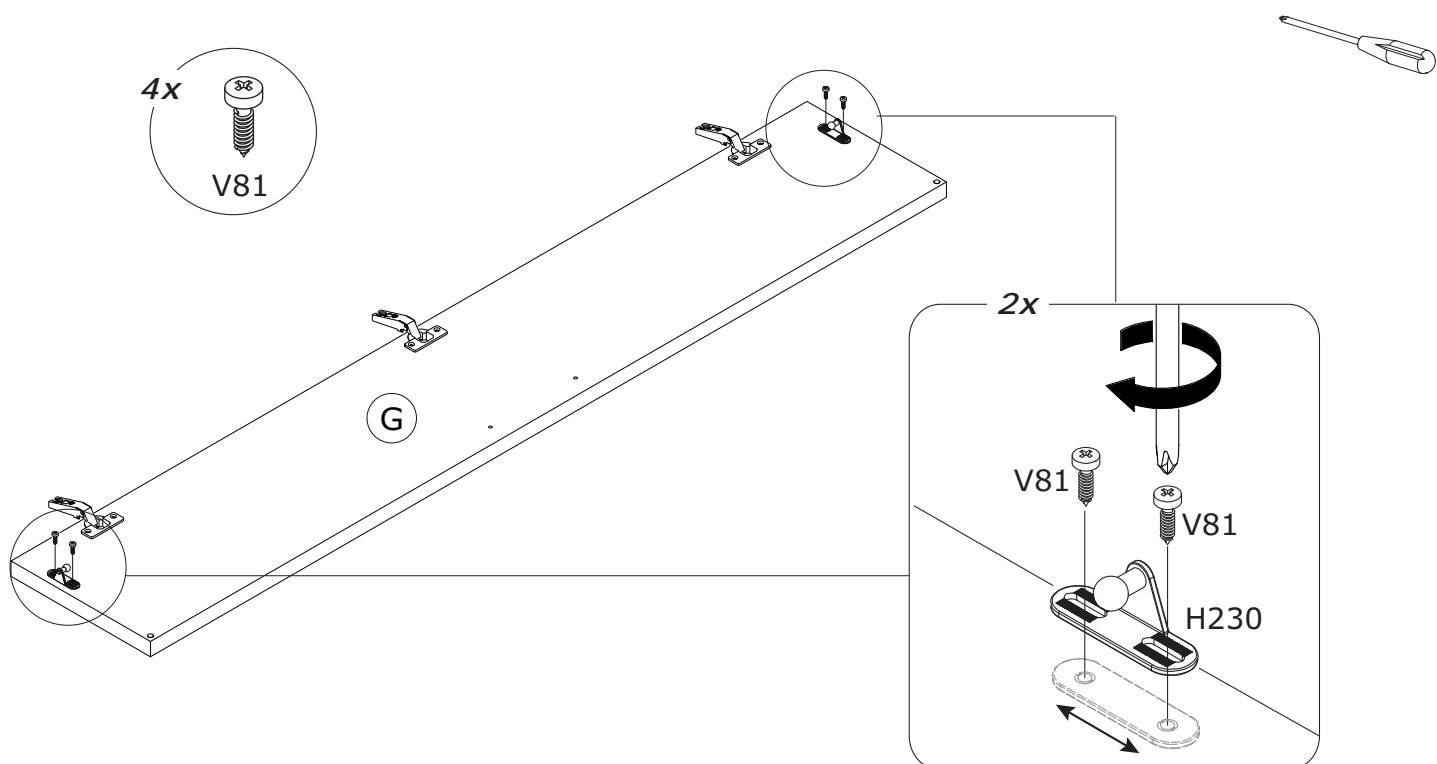
V5



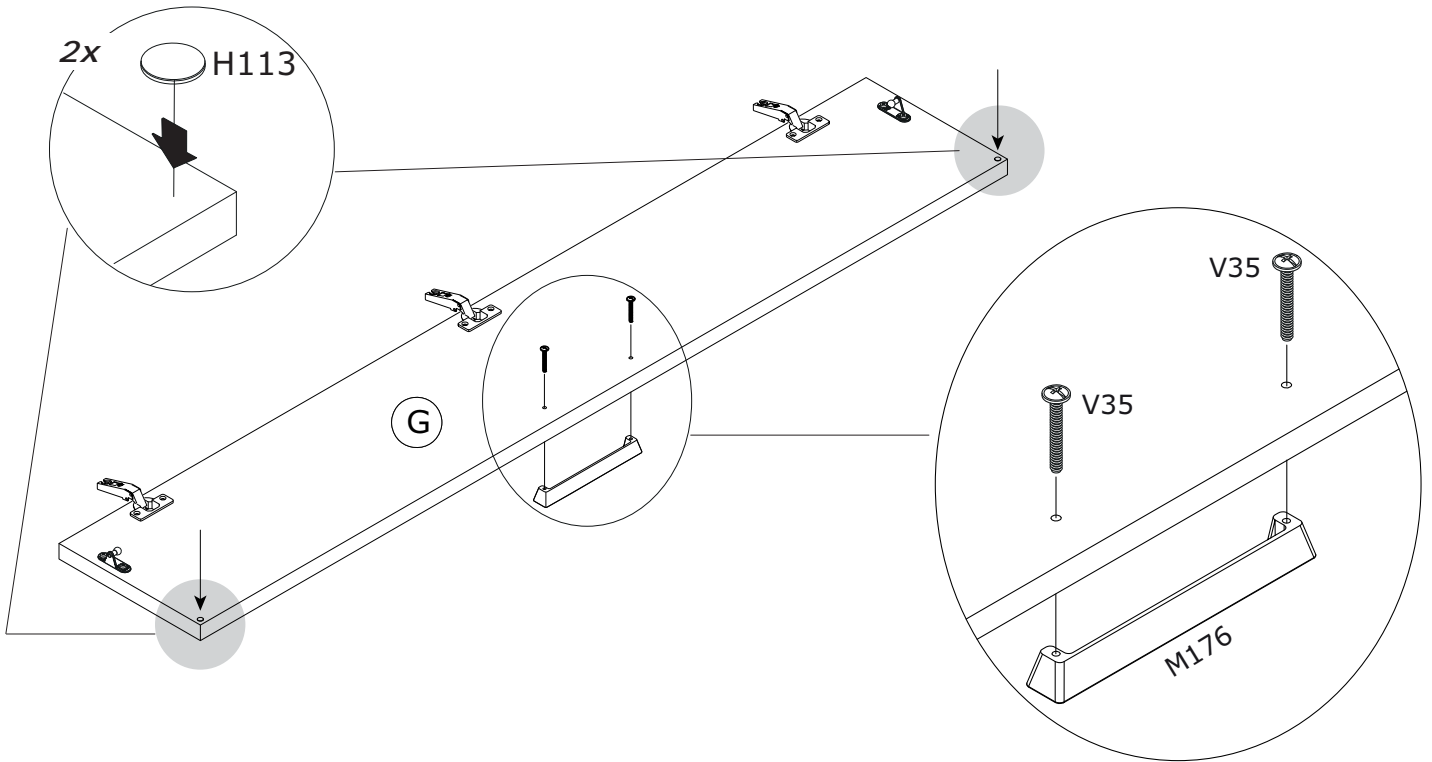
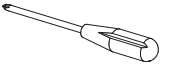
10



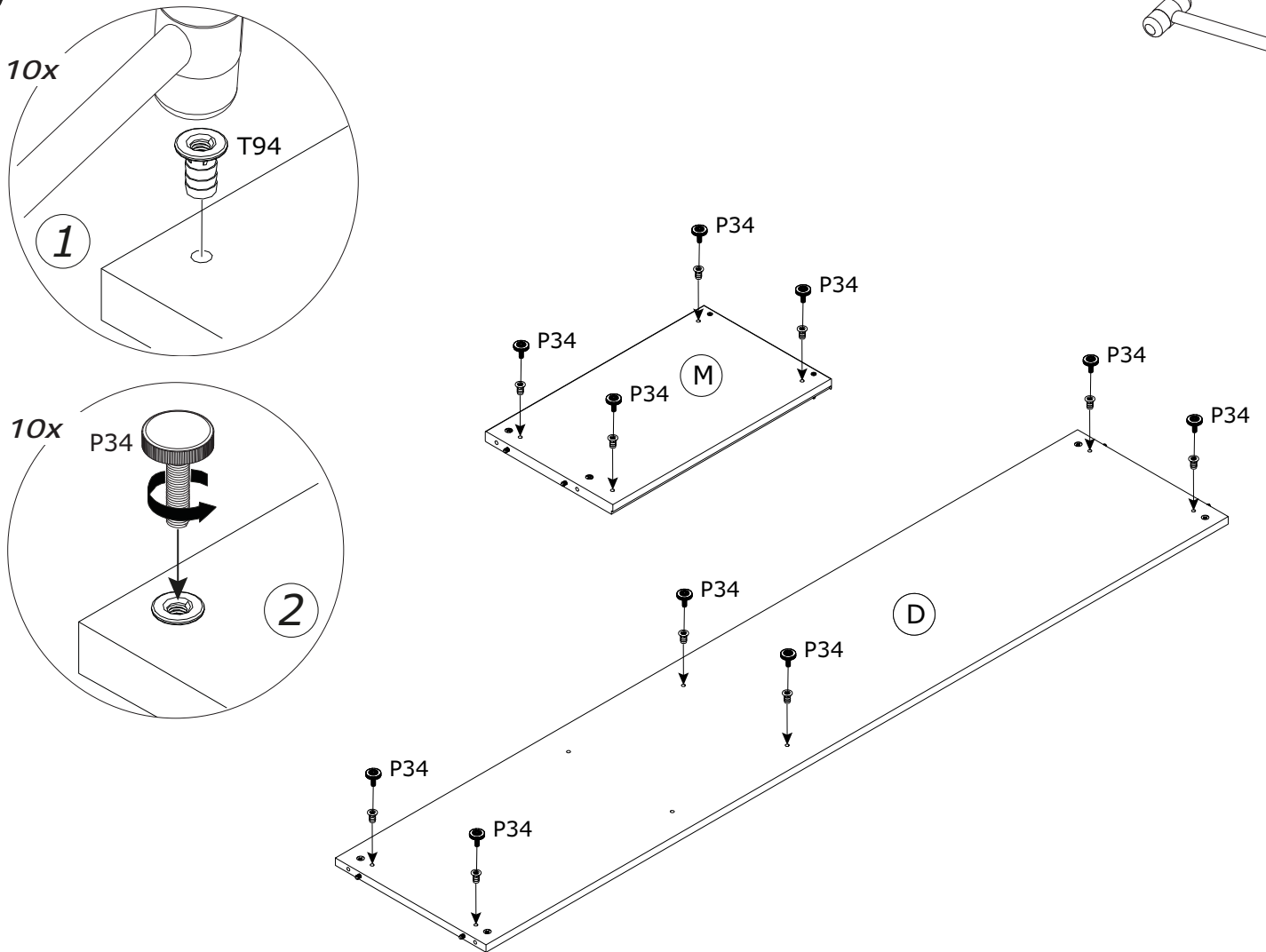
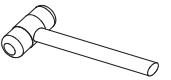
11



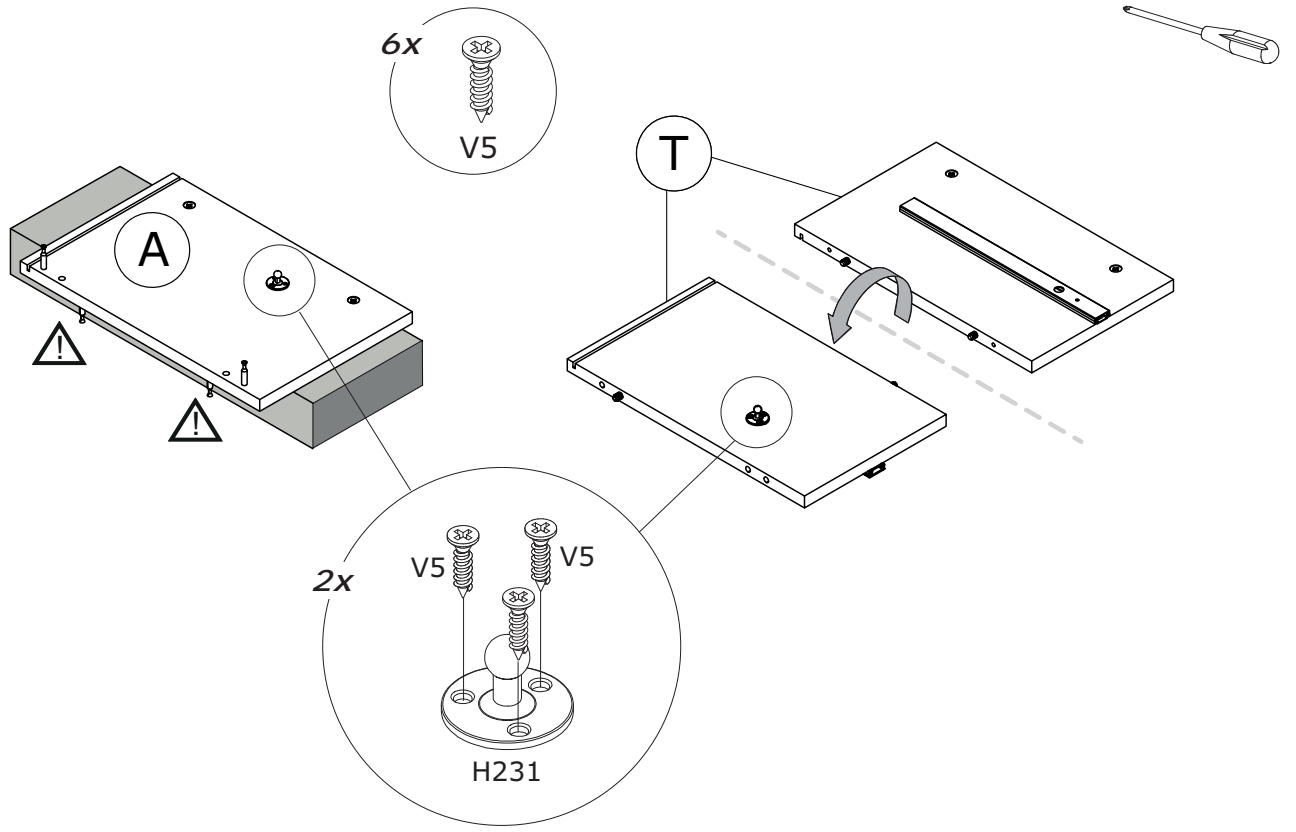
12



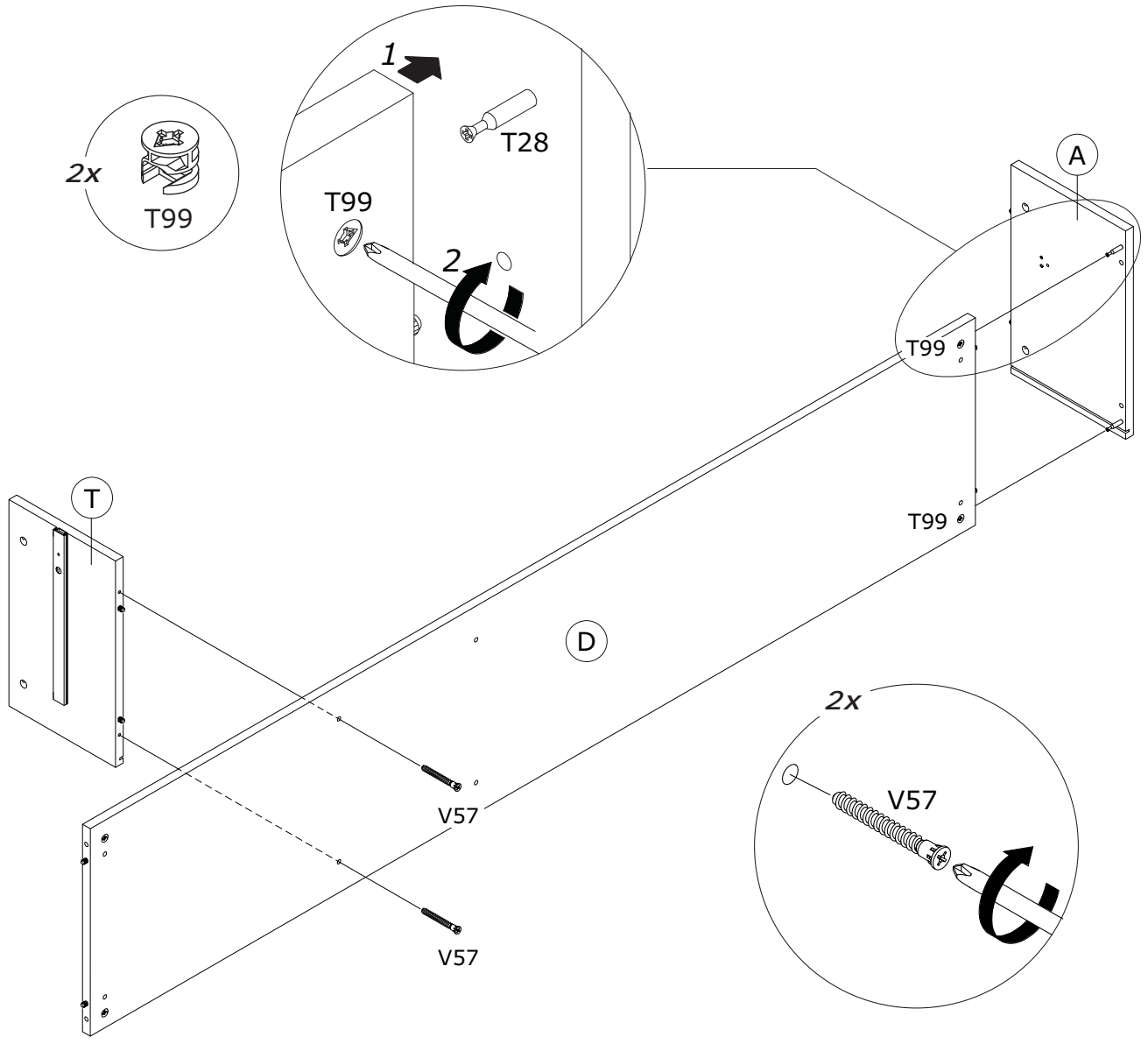
13



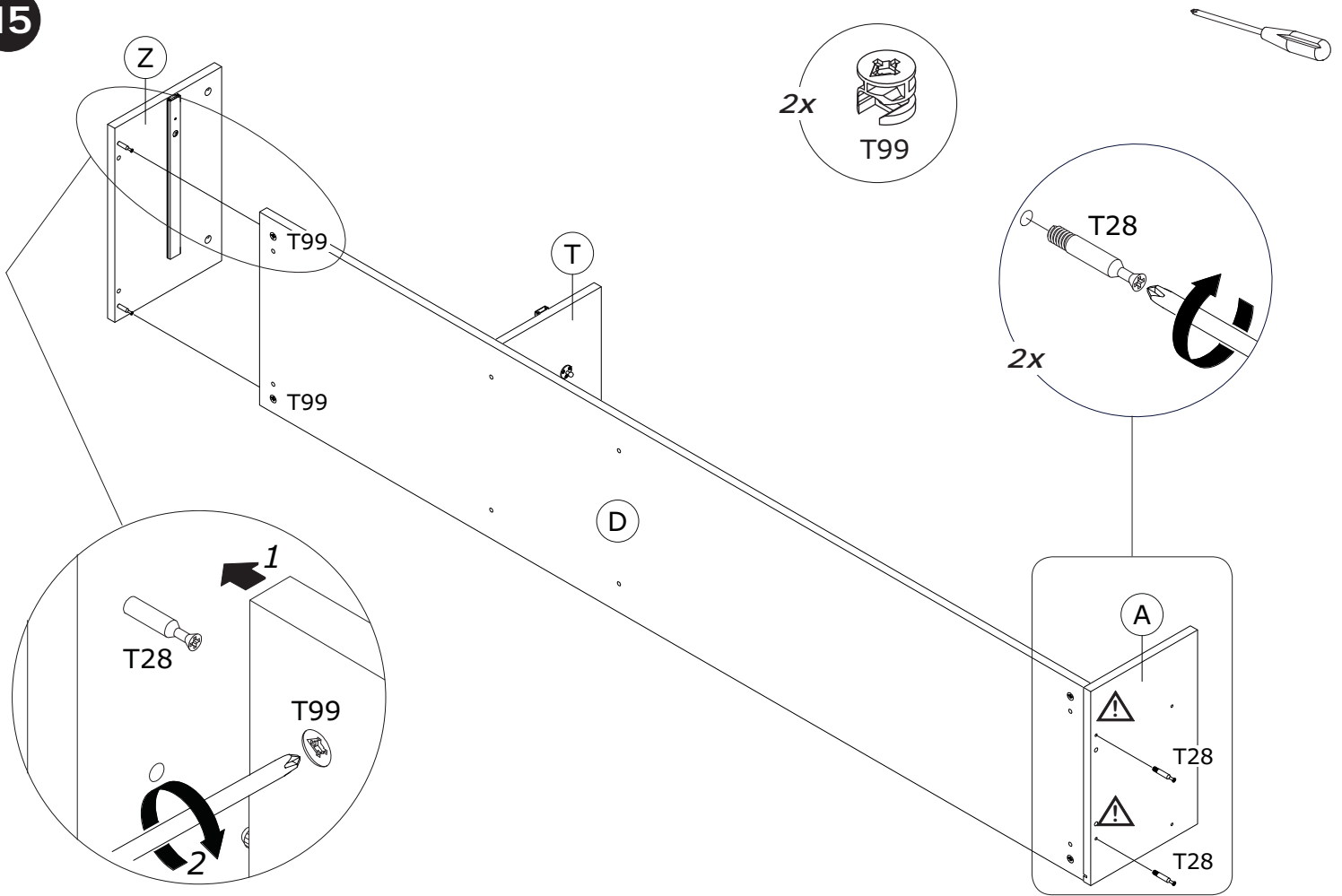
14



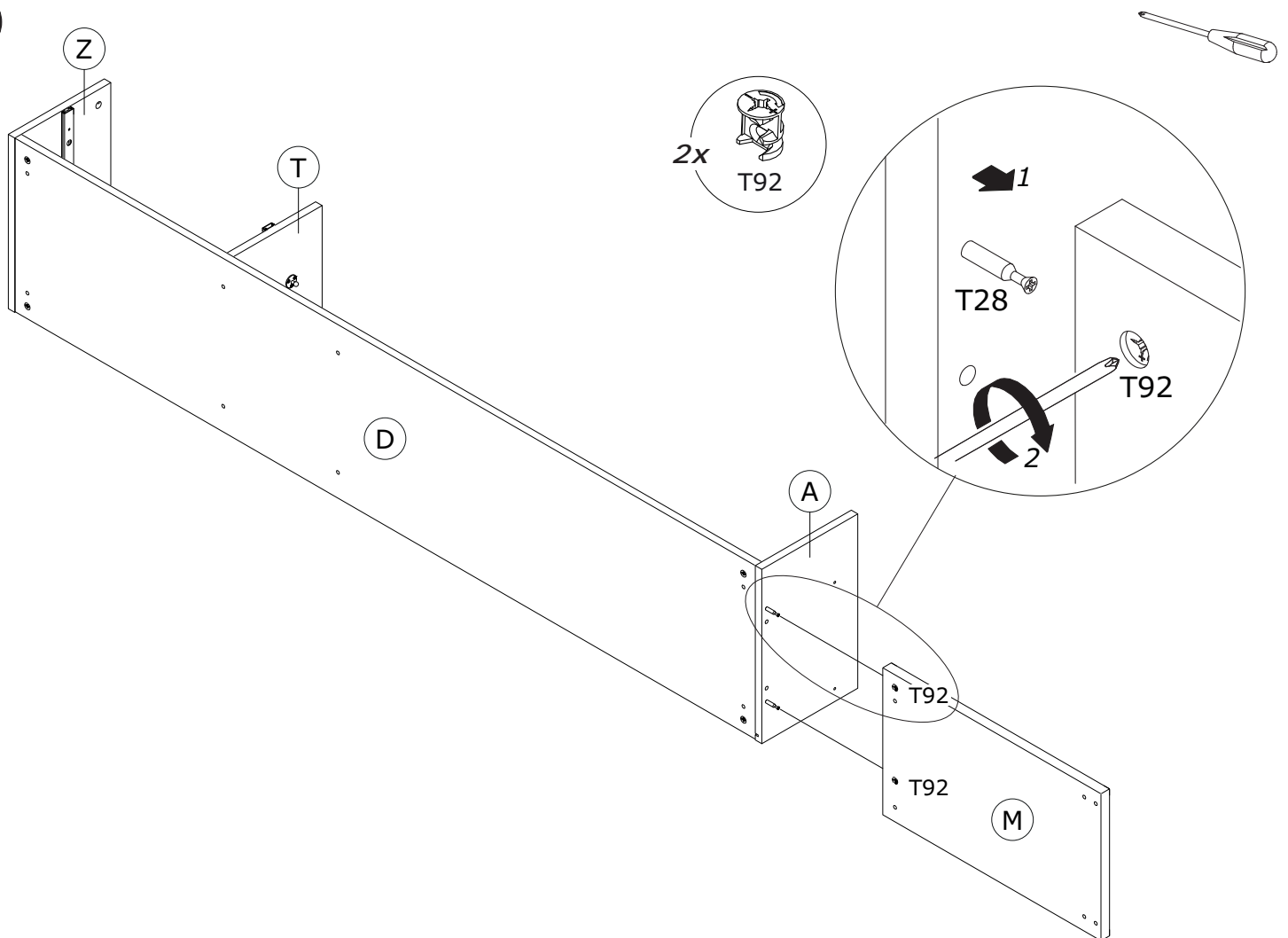
14



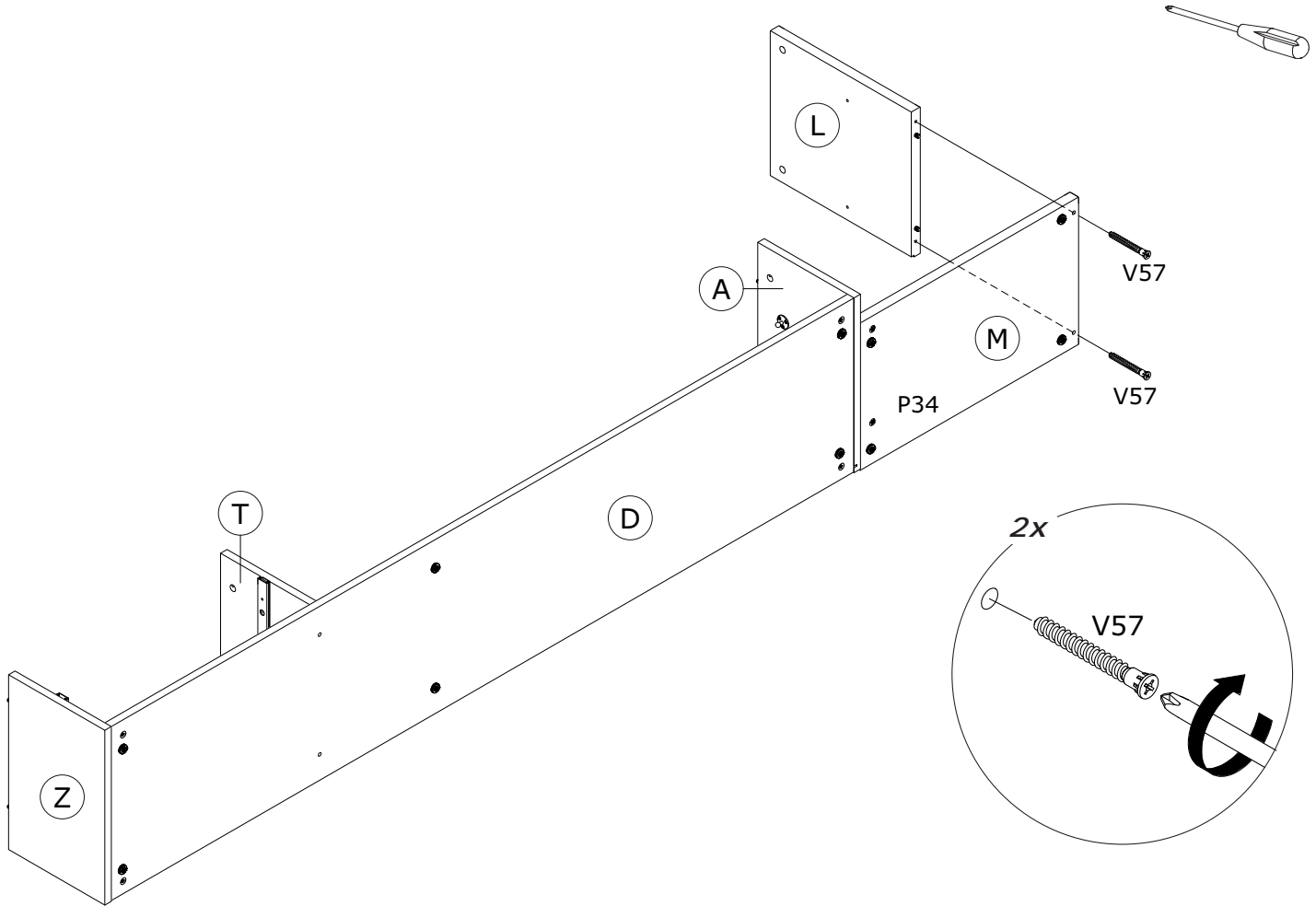
15



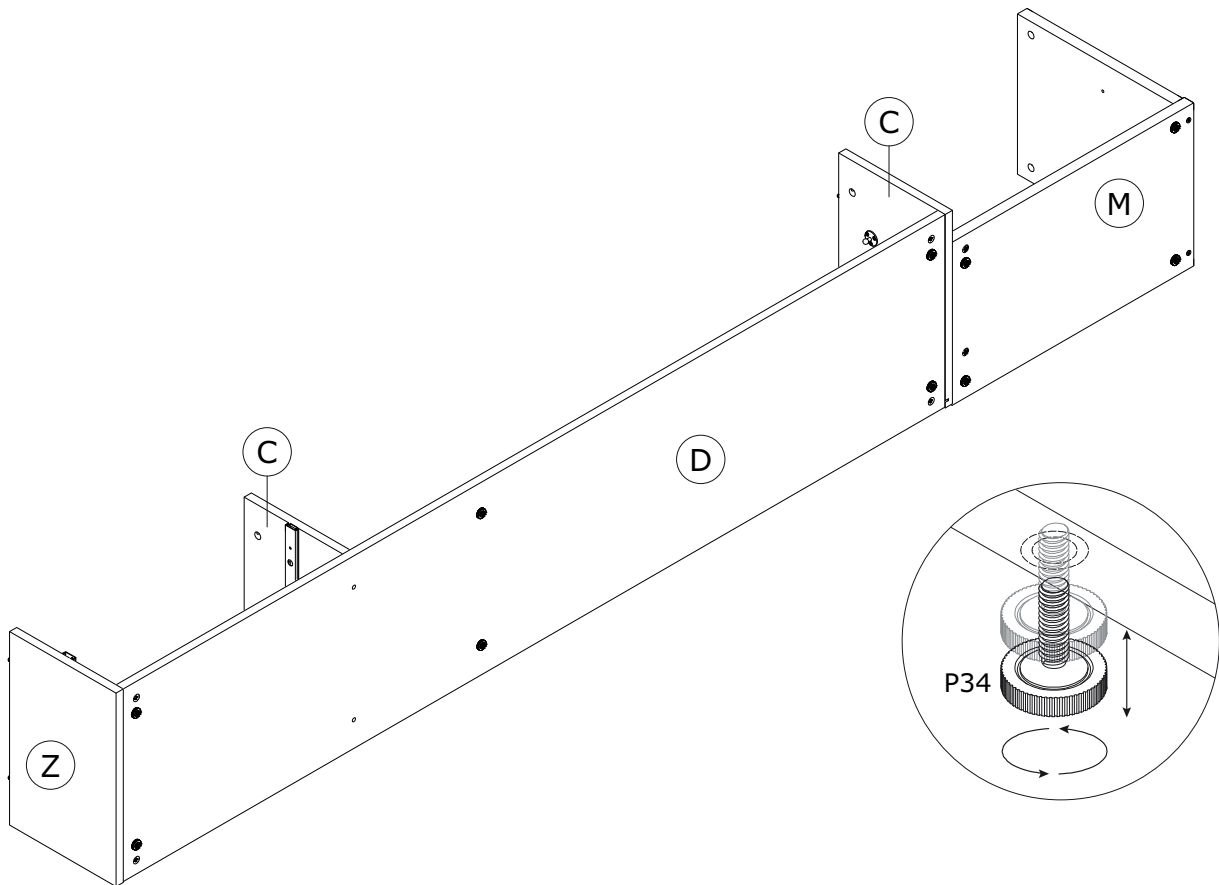
16



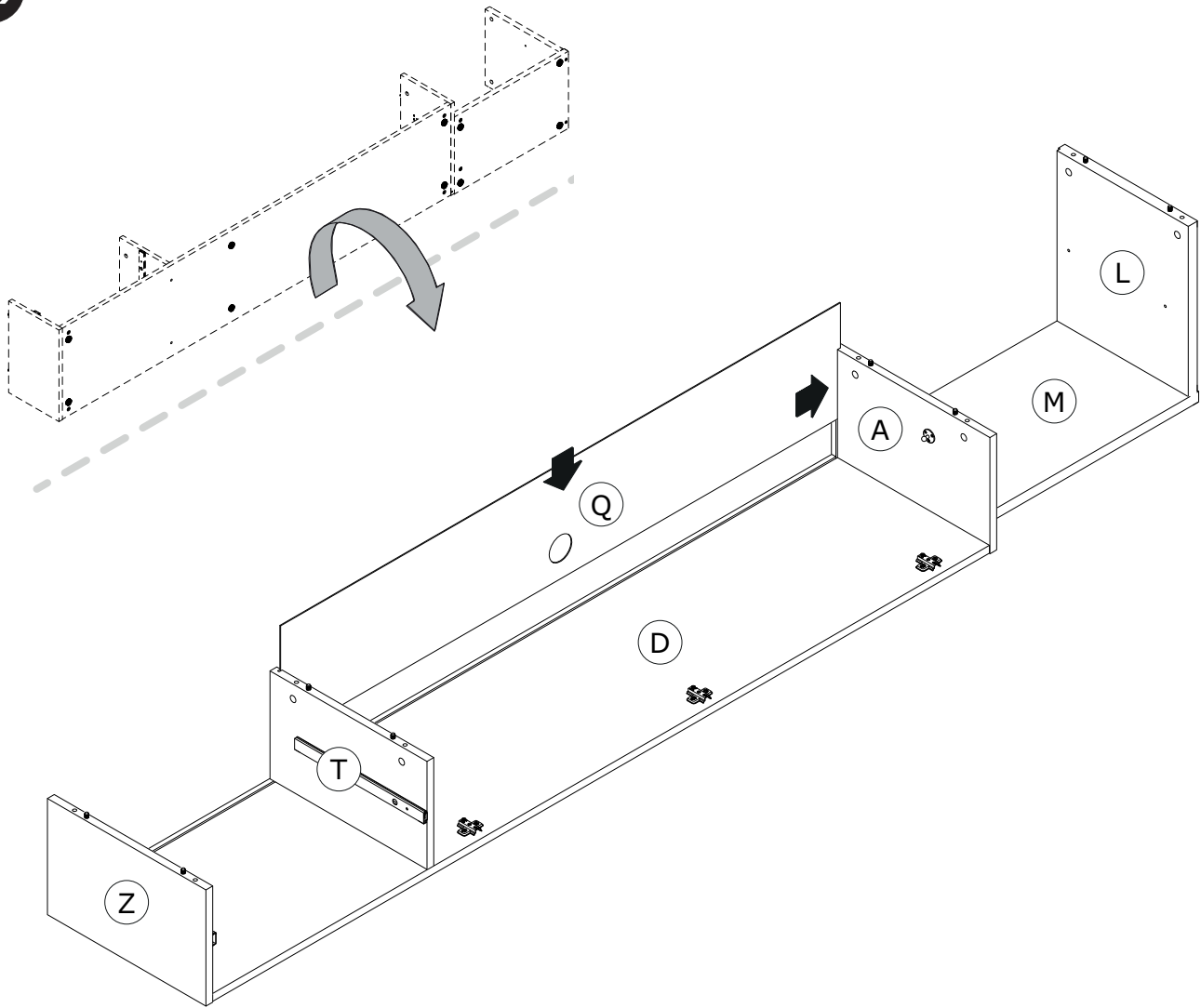
17



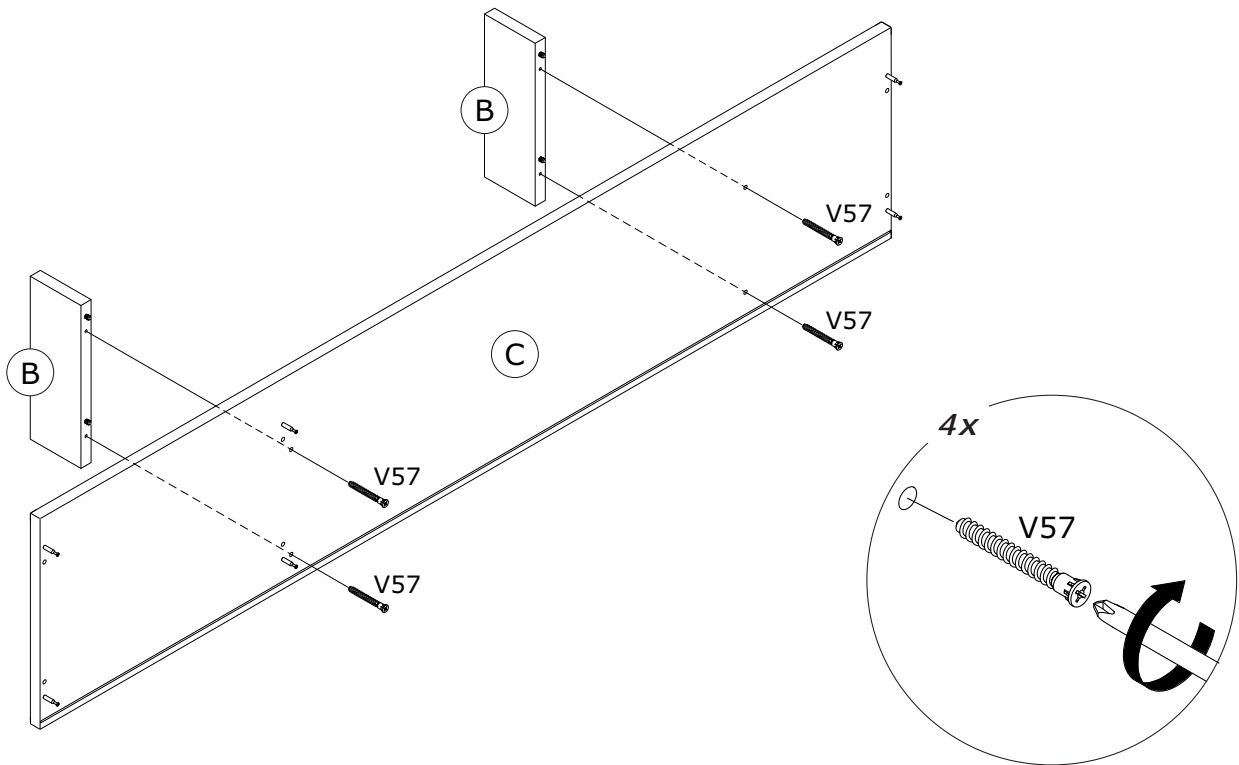
18



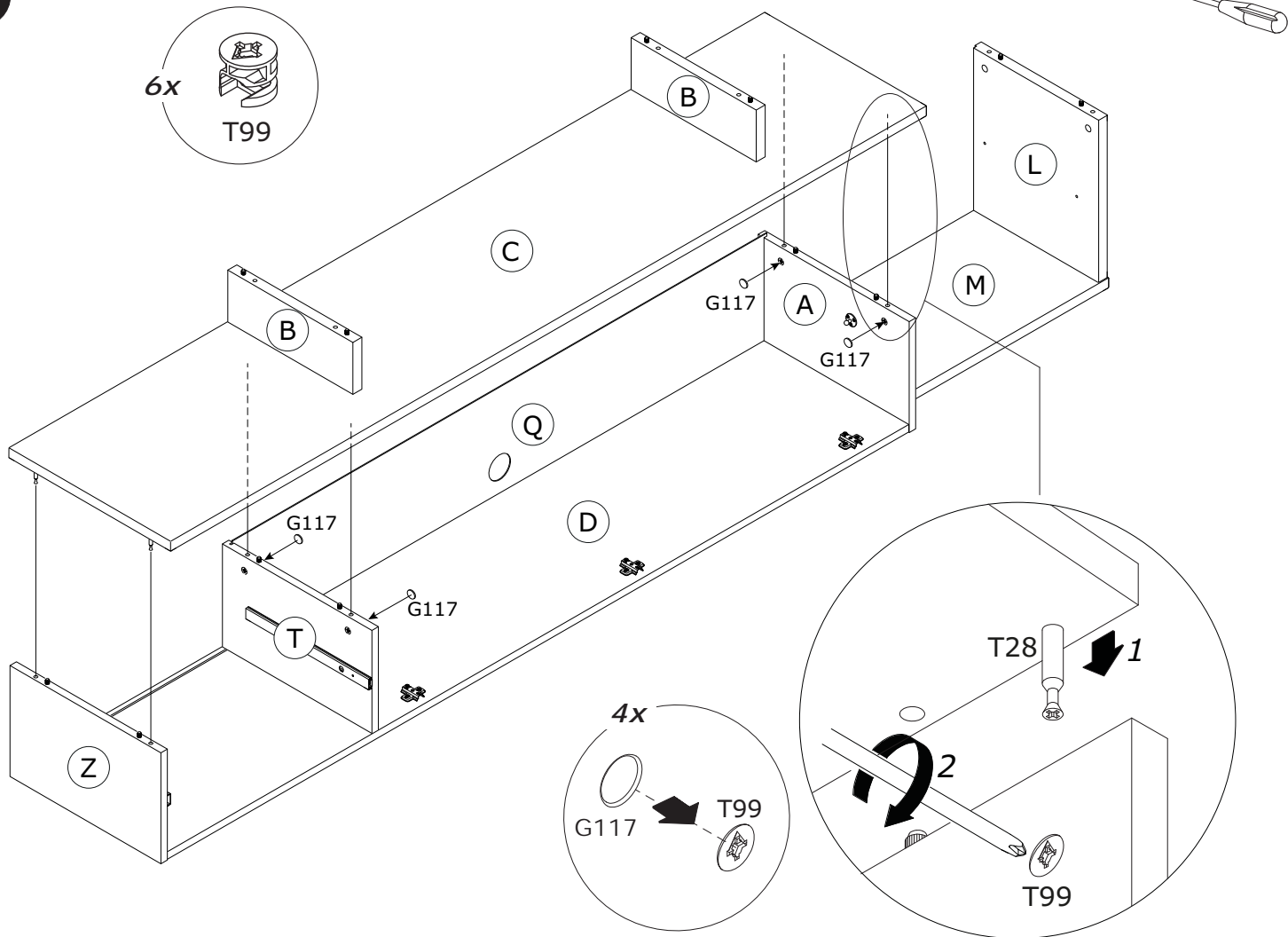
19



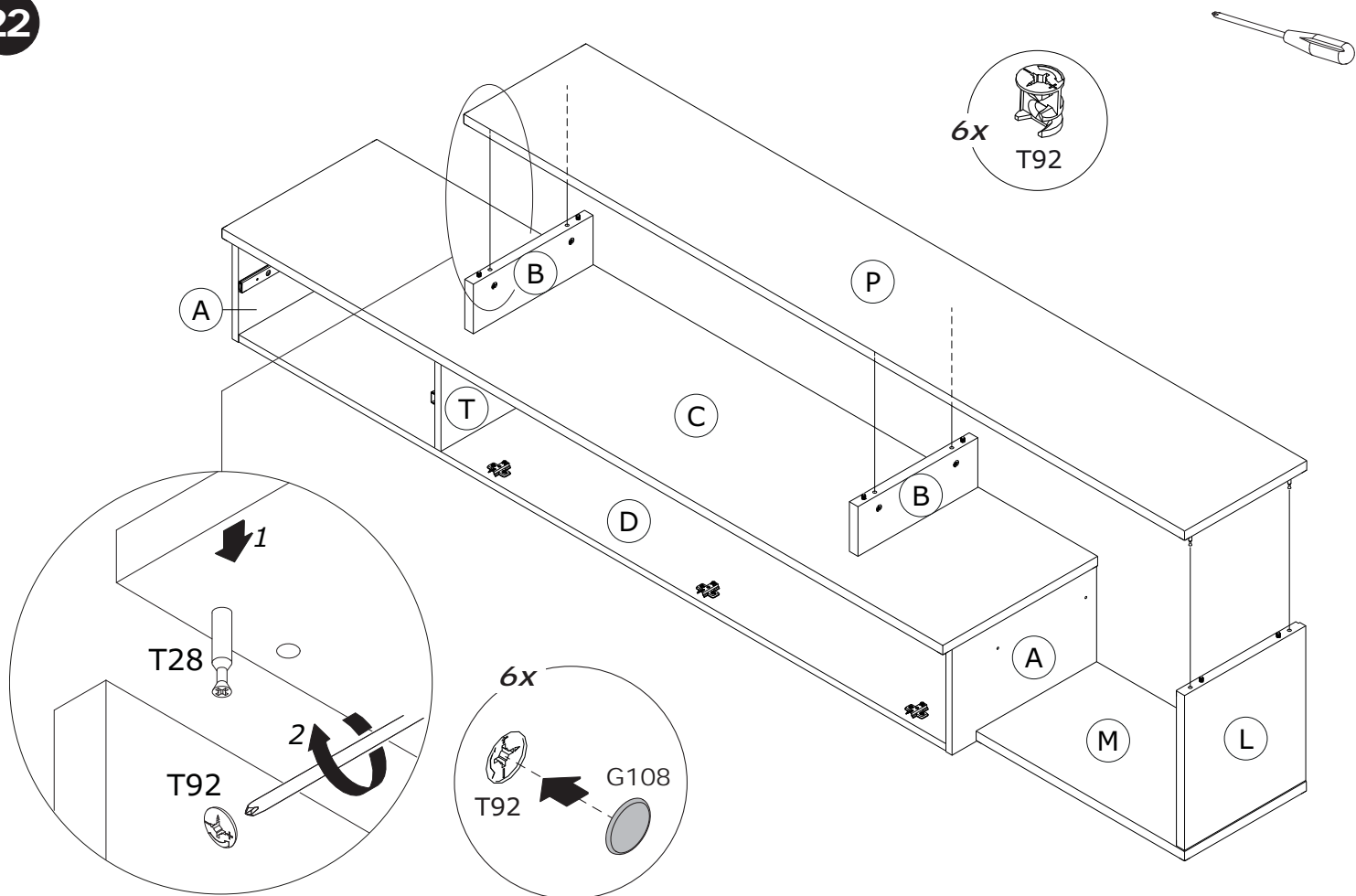
20



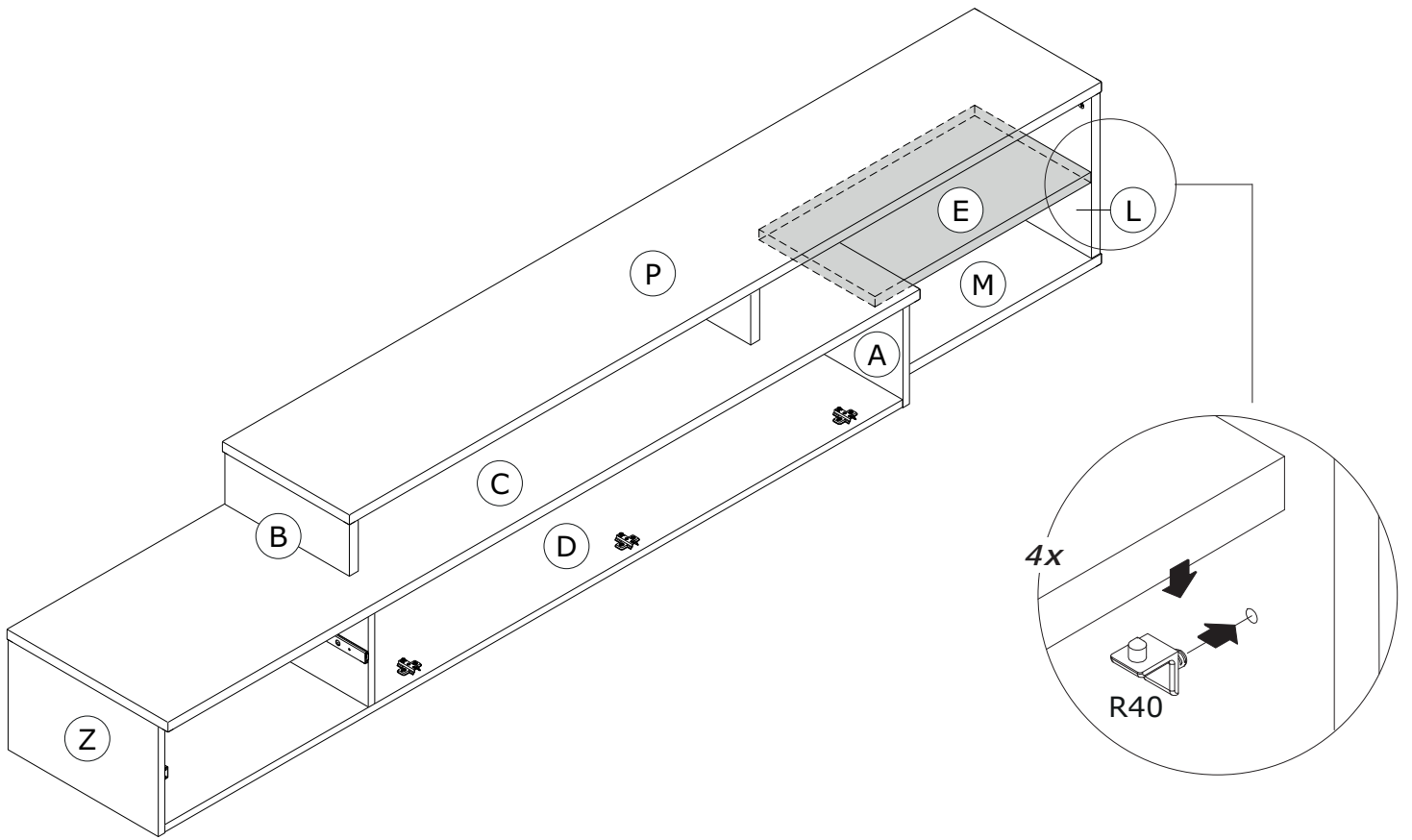
21



22



23



24

