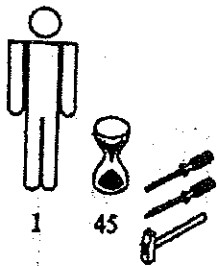
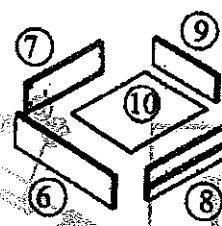
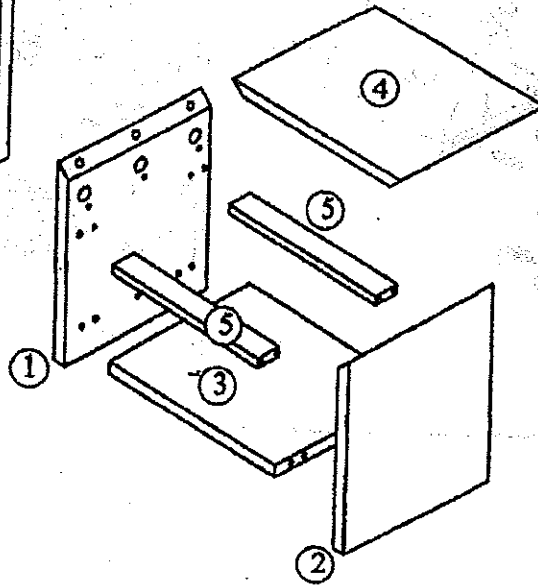
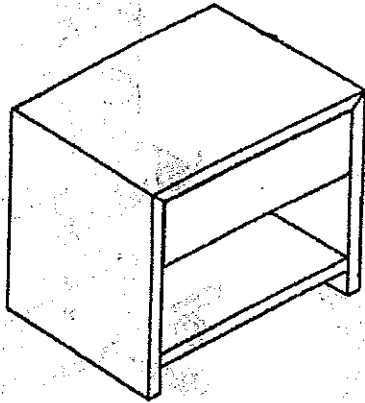


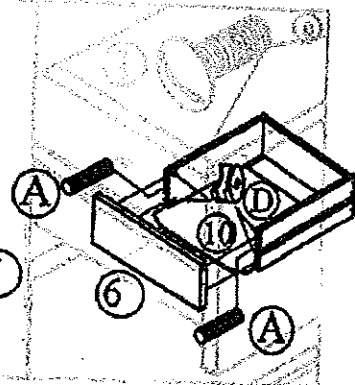
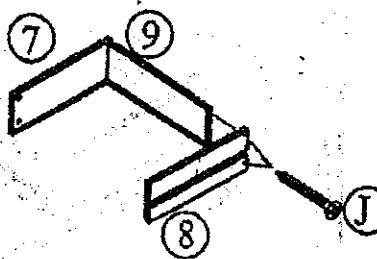
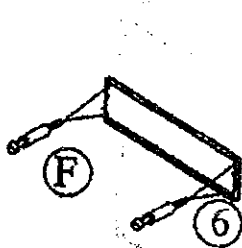
MONTAGEANLEITUNG ASSEMBLY INSTRUCTION

NACHTKONSOLE JUDITH

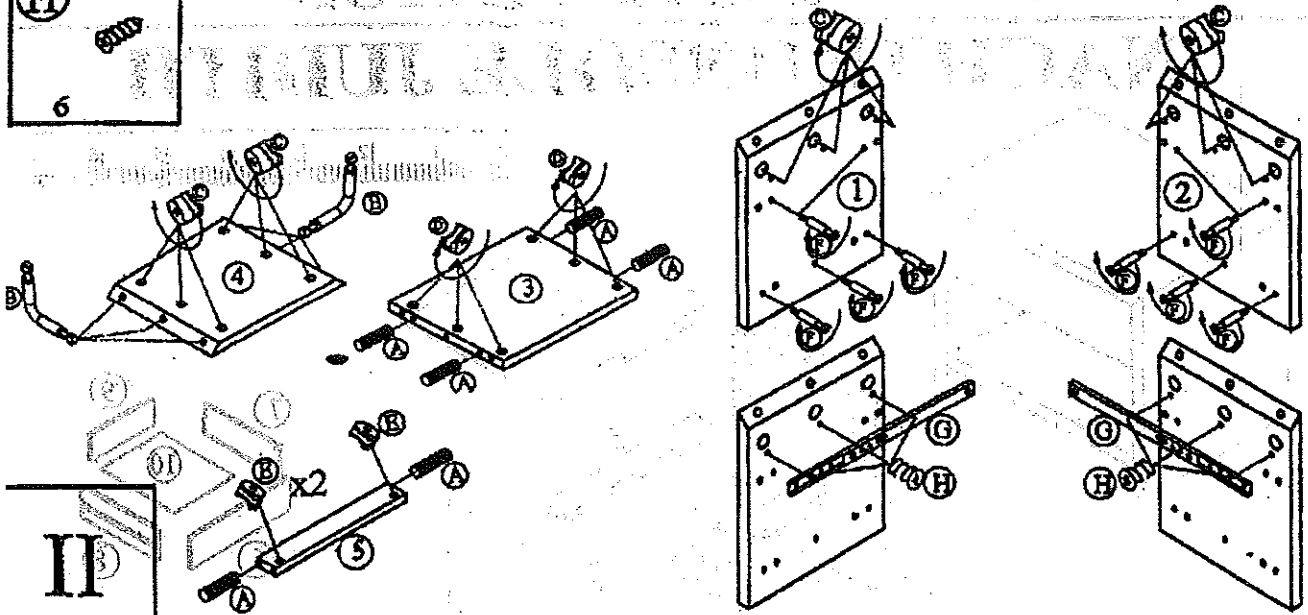
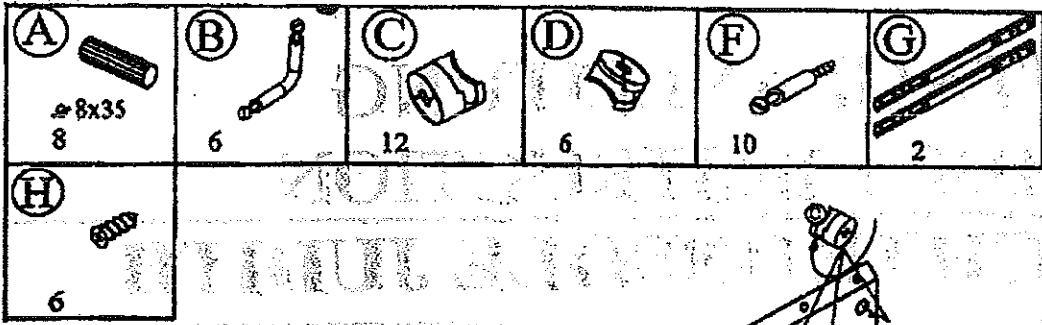


A 8x35 10	B 6	C 12	D 14	F 14	G 2	H 6
I M4x14 2	J 4x30 4					

A 8x35 2	F 4	D 4	J 4x30 4
-----------------------	---------------	---------------	-----------------------



I



II

