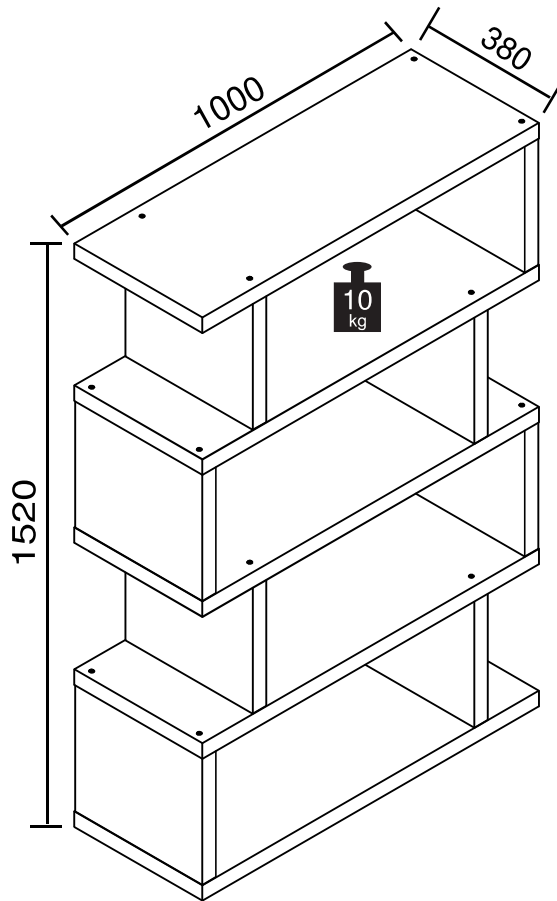
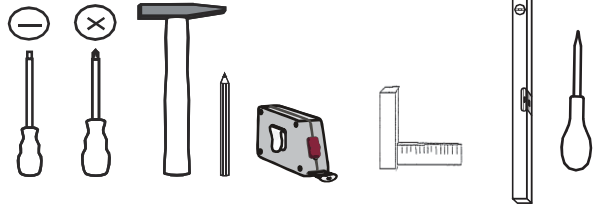
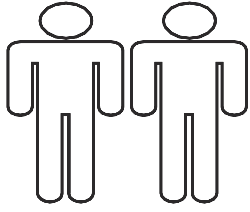
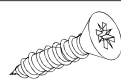


# BC 3105 REGAL 3

357--35-...-9

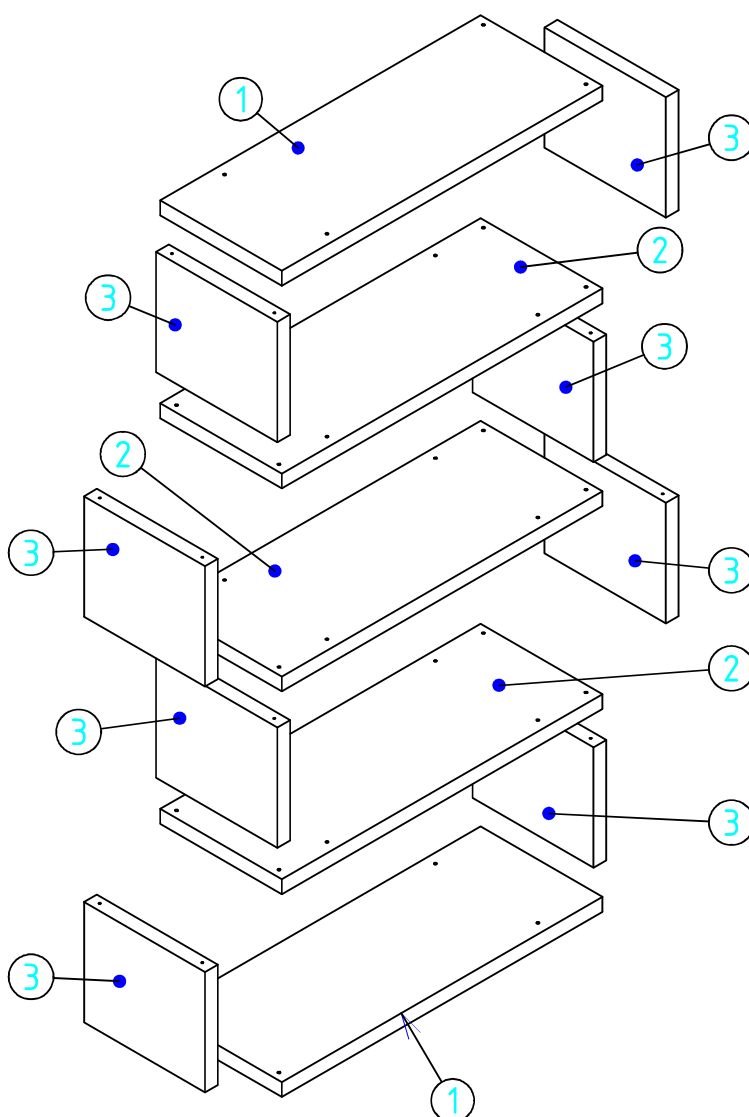


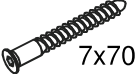

4x25

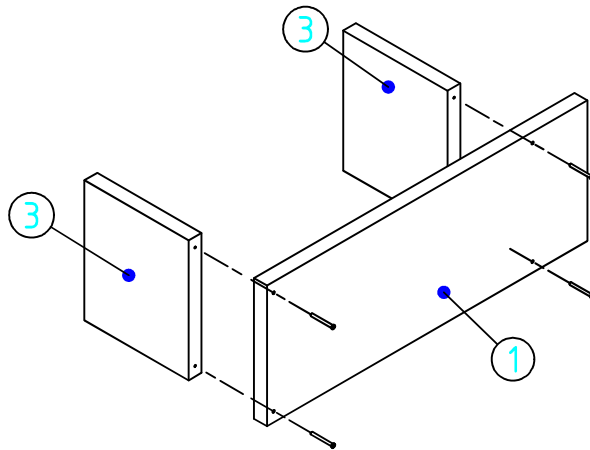
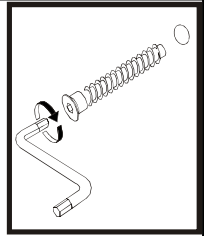
K	4	G	32	ZKD	16	B	1	H	4	F	1
---	---	---	----	-----	----	---	---	---	---	---	---

NR	L	W	T	COUNT	COLI
1	1000	380	40	2	1/1
2	1000	380	40	3	1/1
3	325	378	40	8	1/1

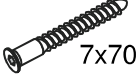




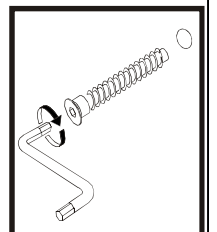
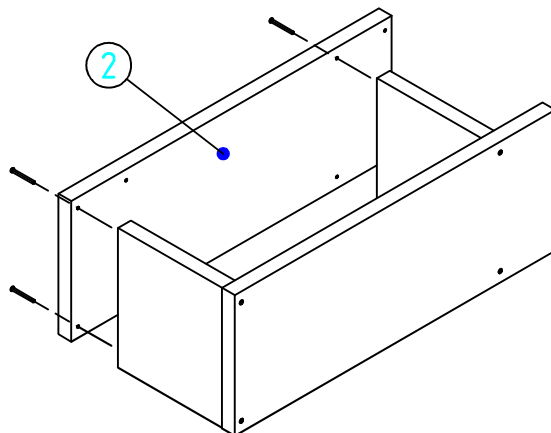
# 1

 7x70	
G 4	F 1





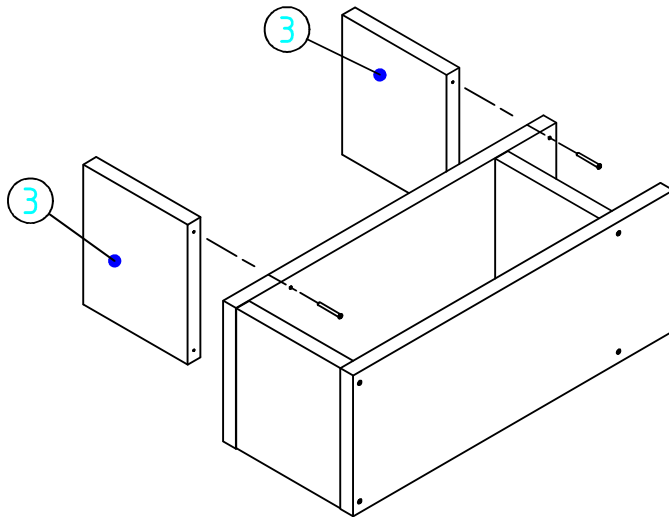
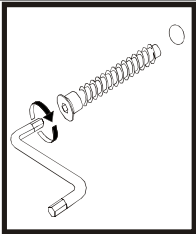
# 2

 7x70		
G 4	F 1	ZKD 4



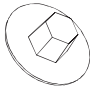


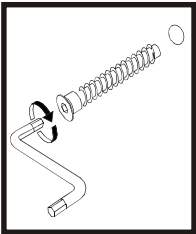
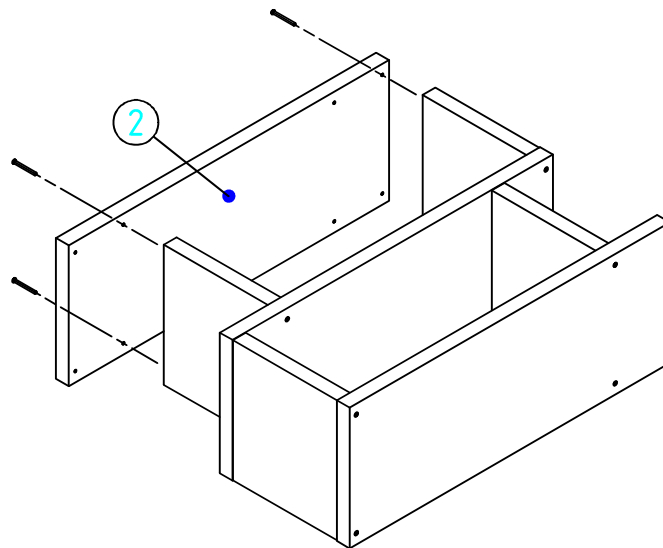
3

 7x70	
G 4	F 1





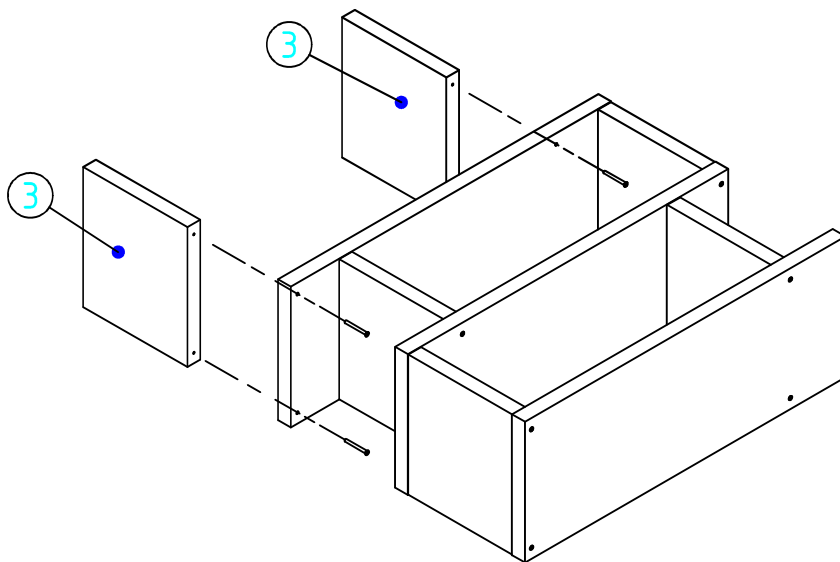
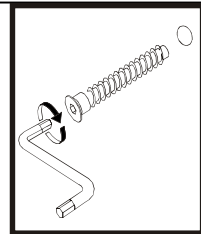
4

 7x70		
G 4	F 1	ZKD 4

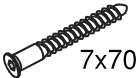

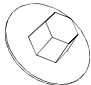


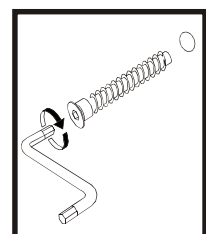
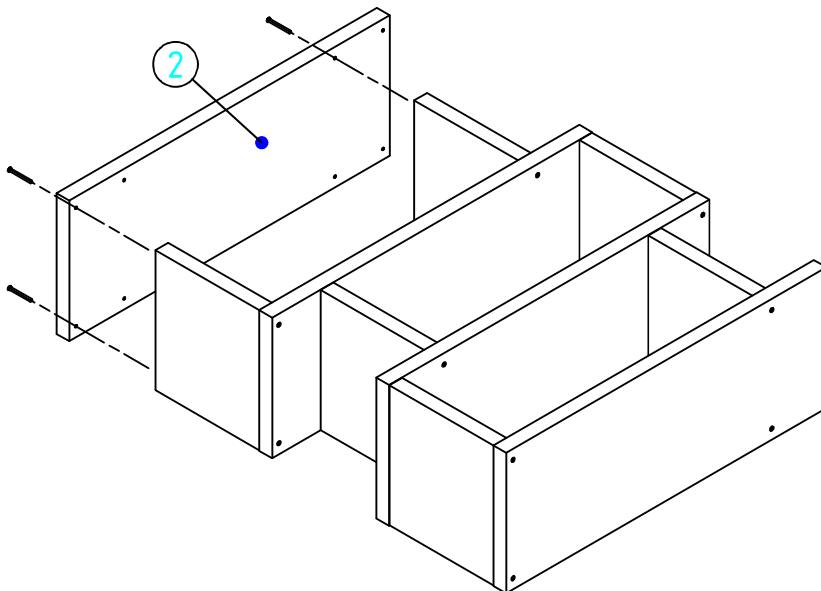
5

 7x70	
G 4	F 1

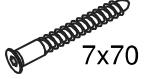



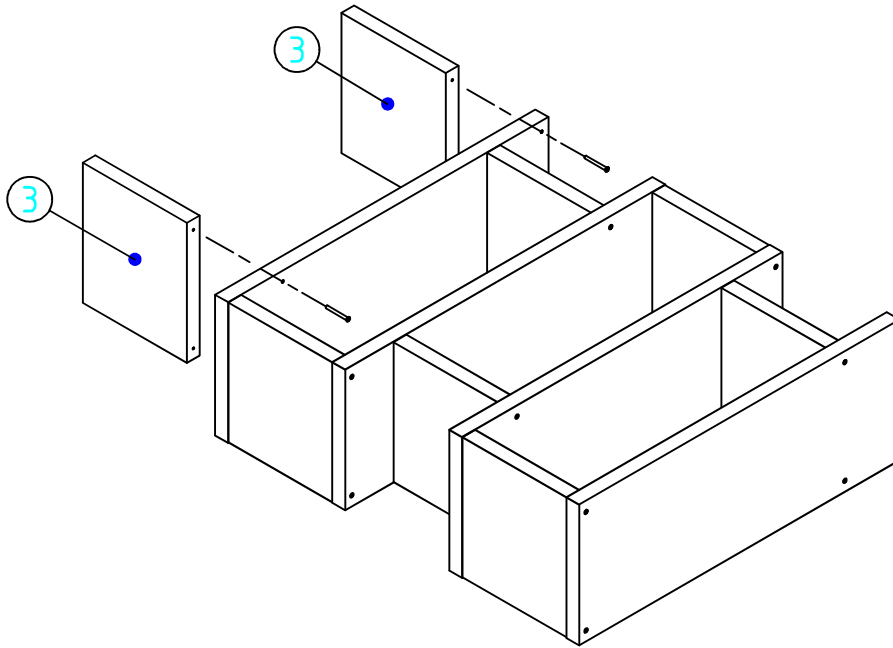
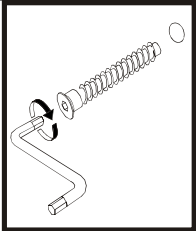
6

 7x70		
G 4	F 1	ZKD 4








7

	7x70		
G	4	F	1



8

	7x70				4x25		
G	4	F	ZKD 4	H	4	K	4

