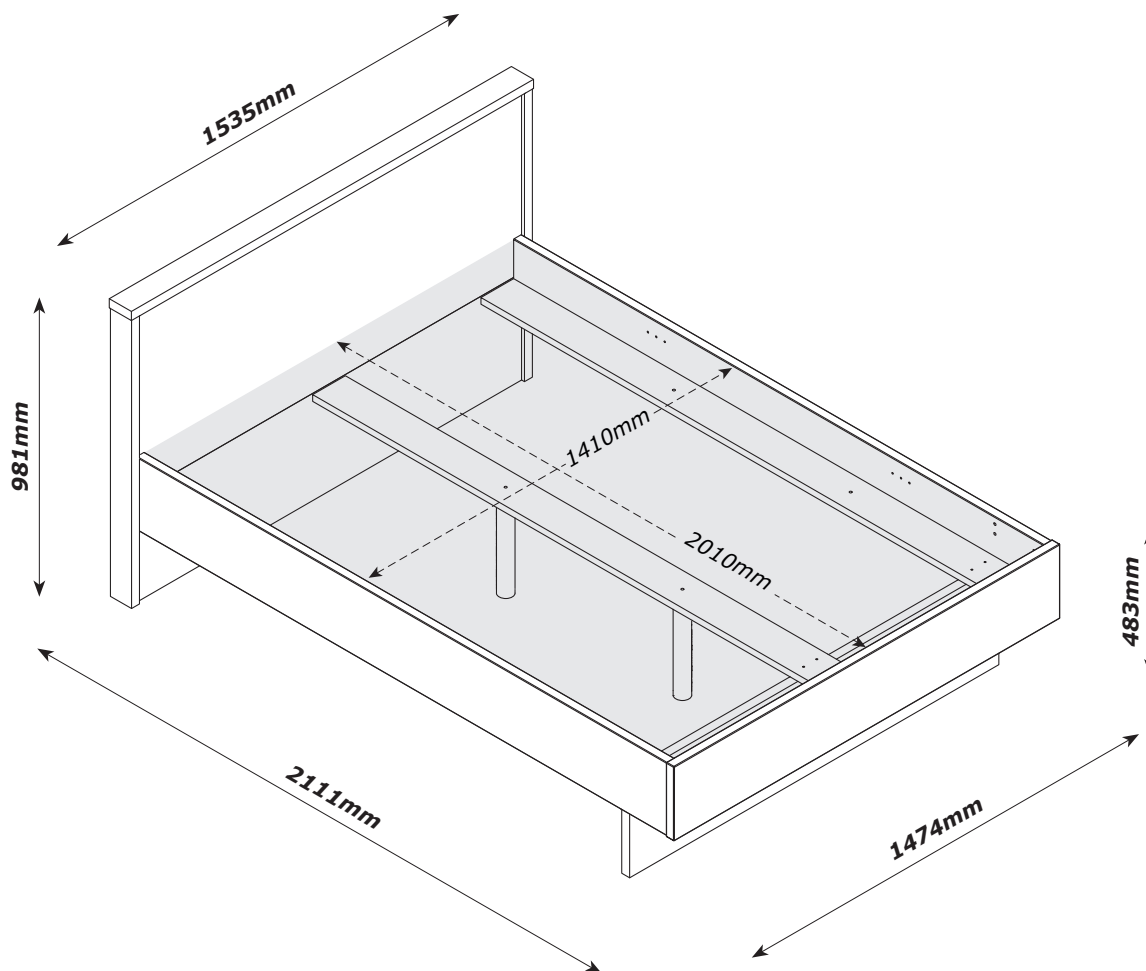
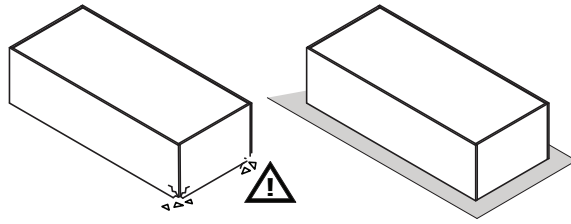
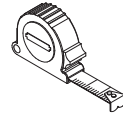
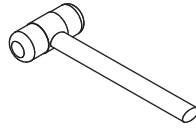
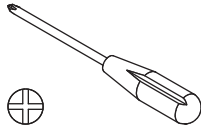
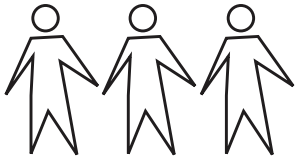


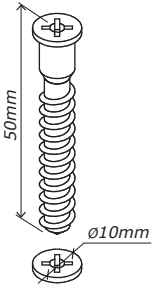
LT0778K77404



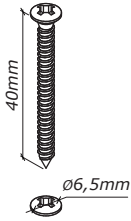
QF5801



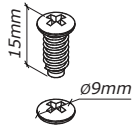
BU4755



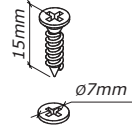
V45
x14



V59
x6



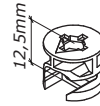
V10
x32



V5
x8



T97
x4



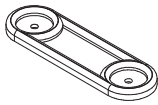
T7
x19



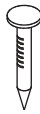
T28
x23



H325
x24



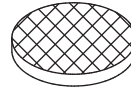
P16
x6



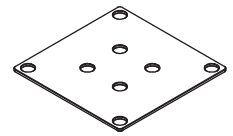
H15
x12



H165
x4

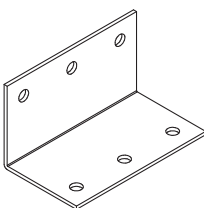


H139
x2



W37
x2

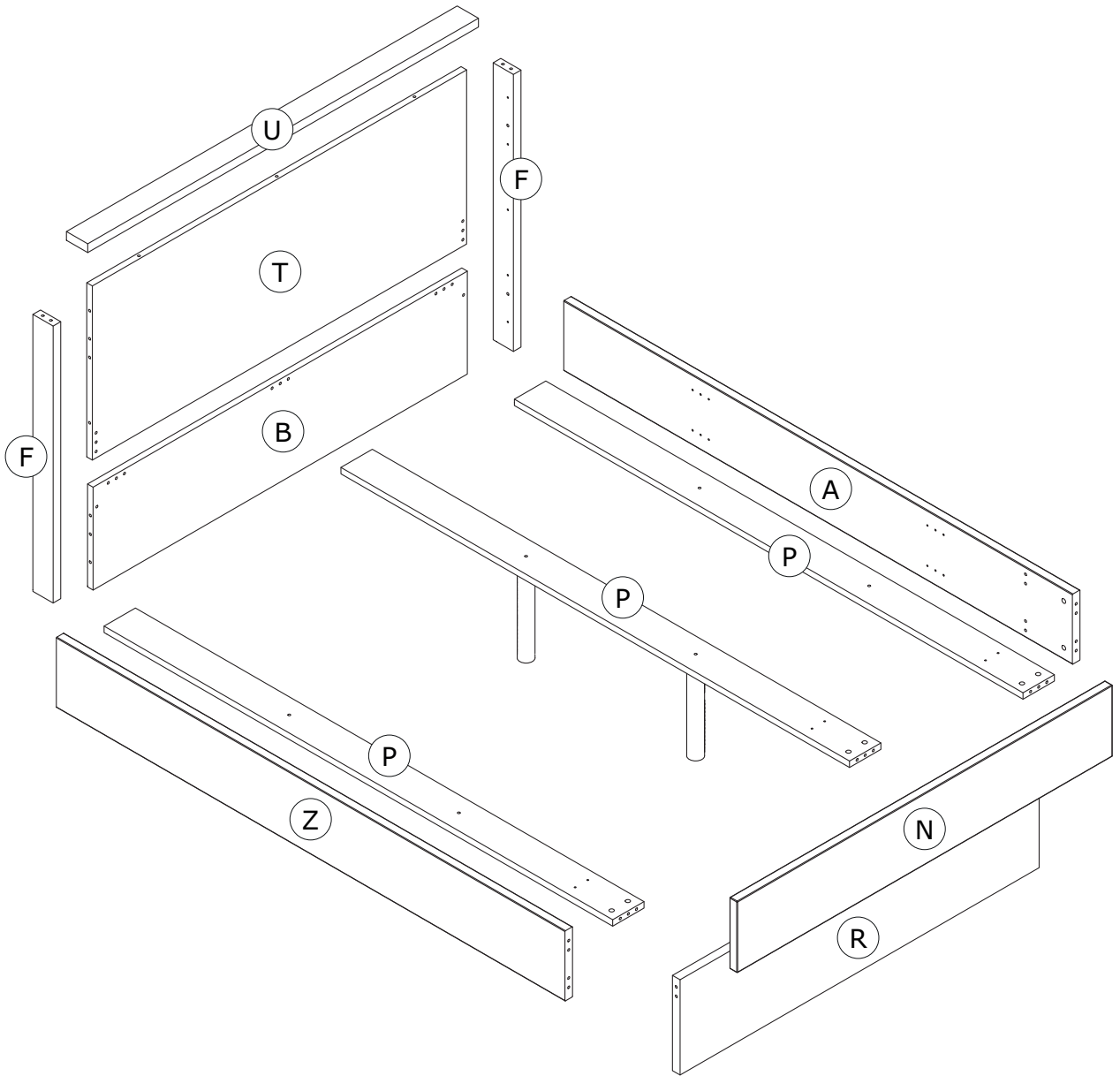
CF0141

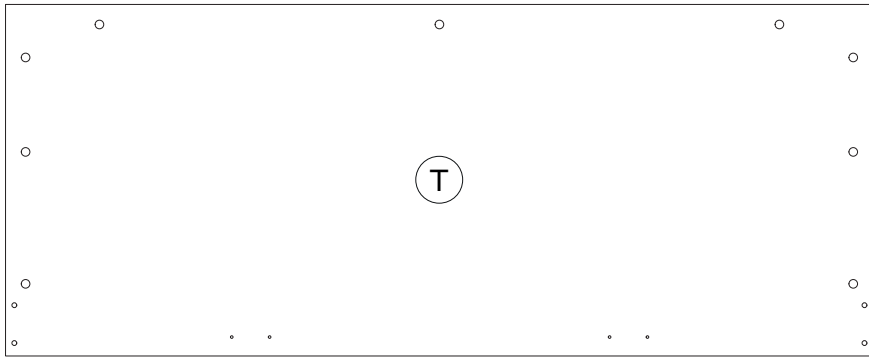


W186
x4

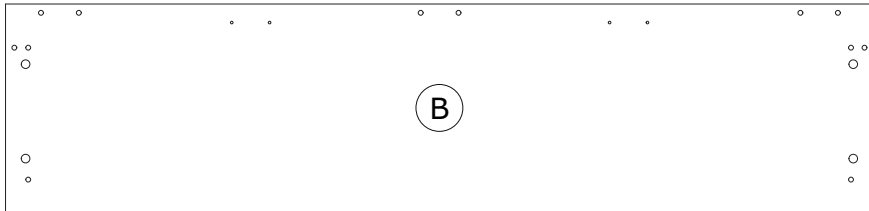


W626
x2

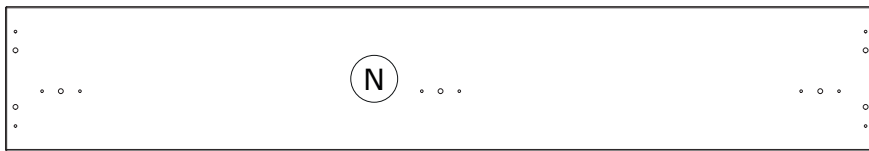




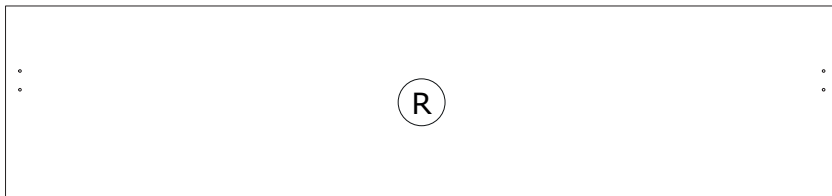
TE0678
1470x596x22mm



TE0677
1470x352x22mm

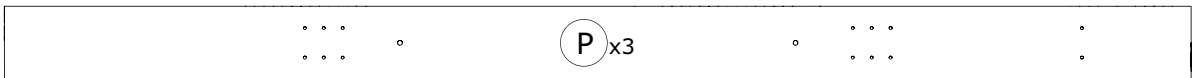


PE0348
1474x244x30mm

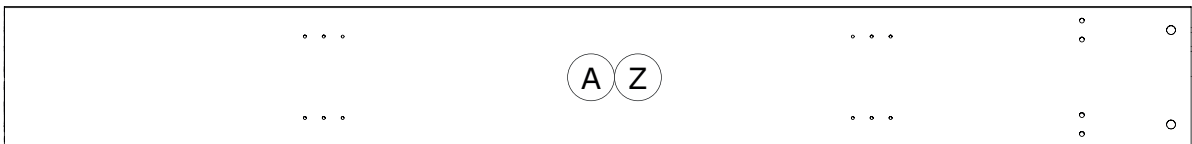


FS4853
1410x326x30mm

BOX 1/2



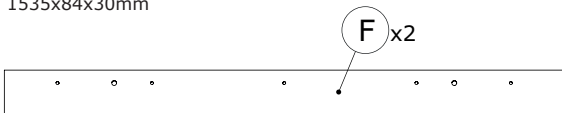
FS4495
2010x124x22mm



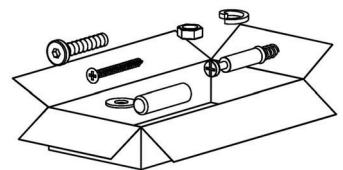
FS4497
2010x240x30mm



FS4854
1535x84x30mm

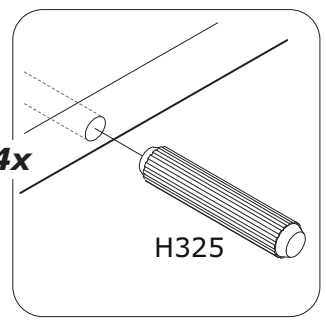
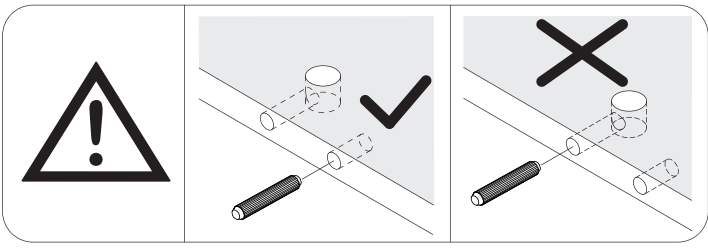
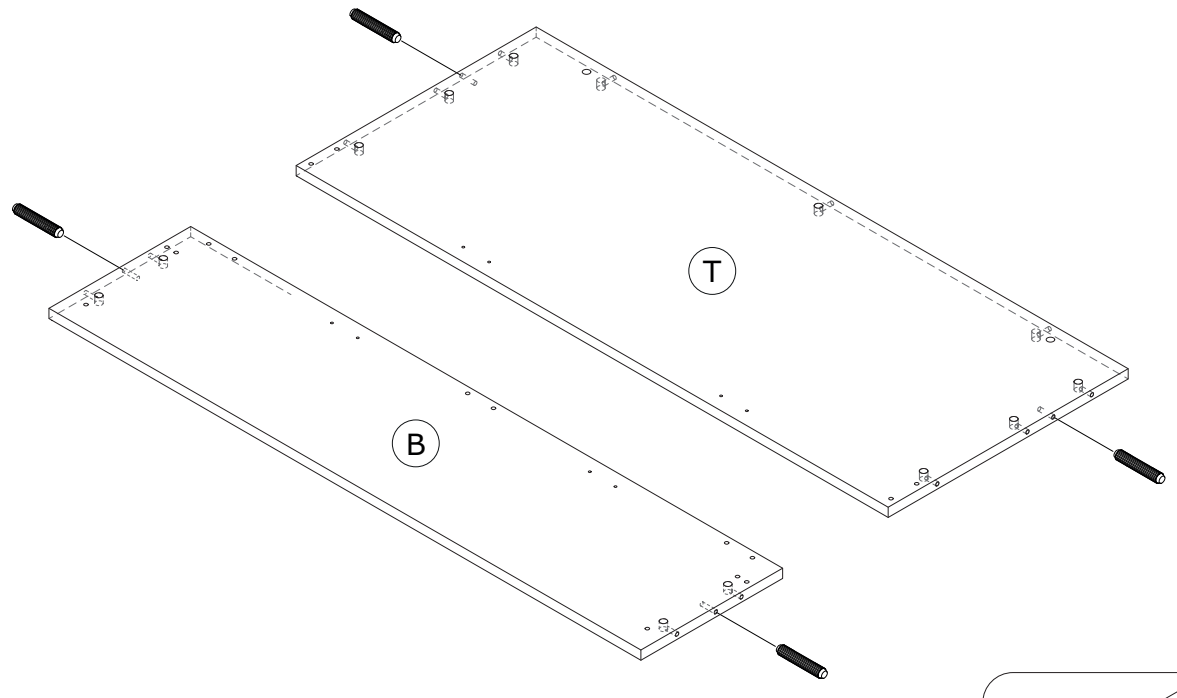
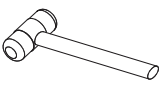


FS4494
948x80x30mm

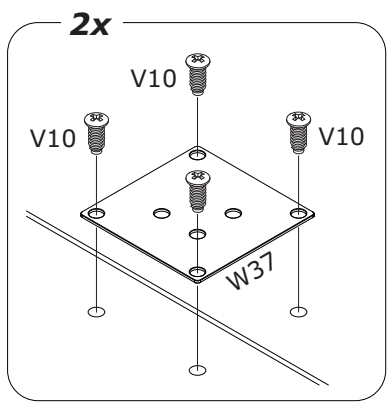
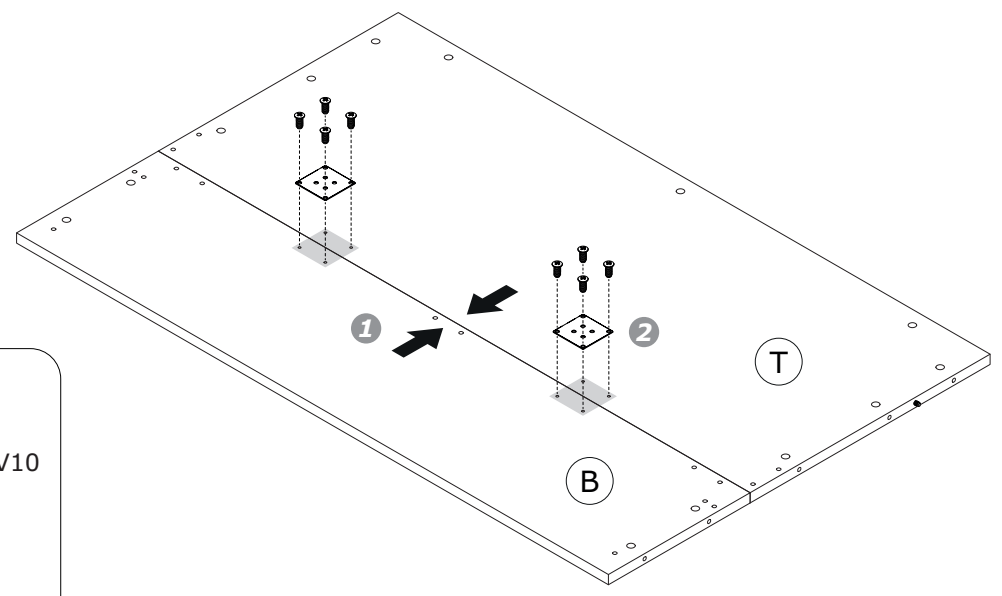
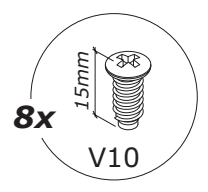
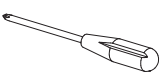


BOX 2/2

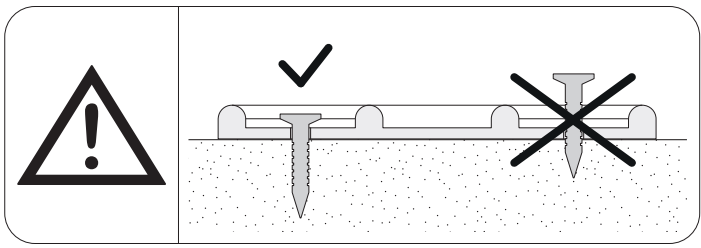
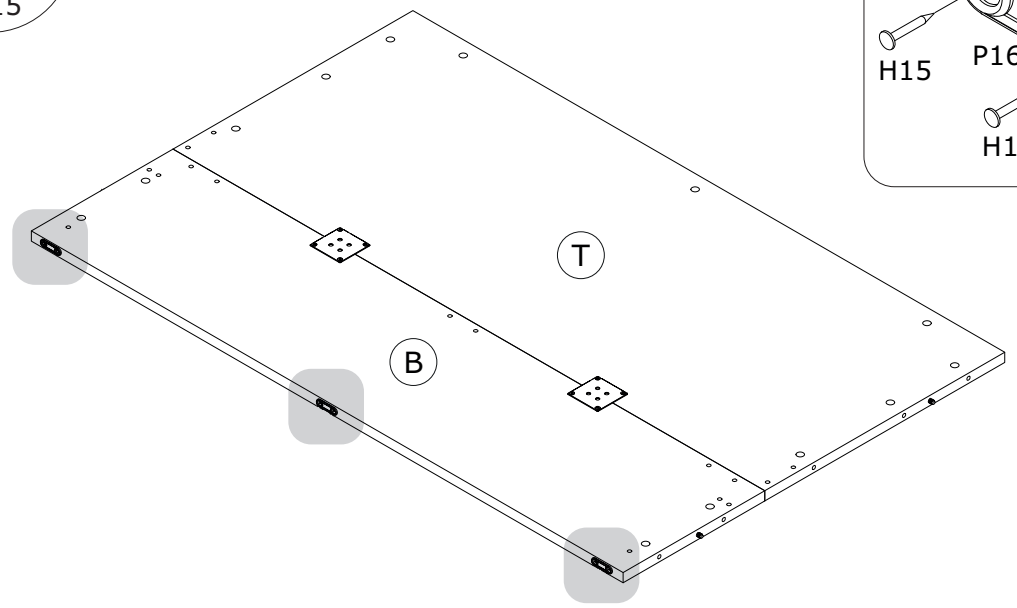
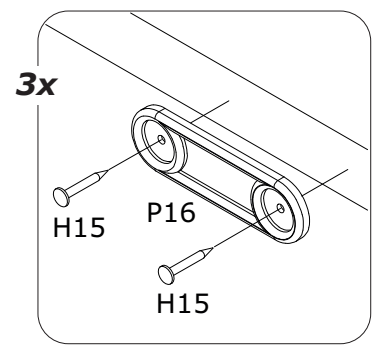
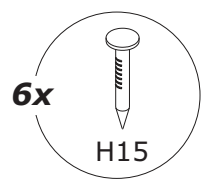
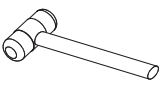
1



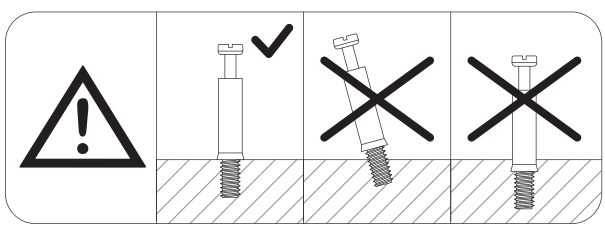
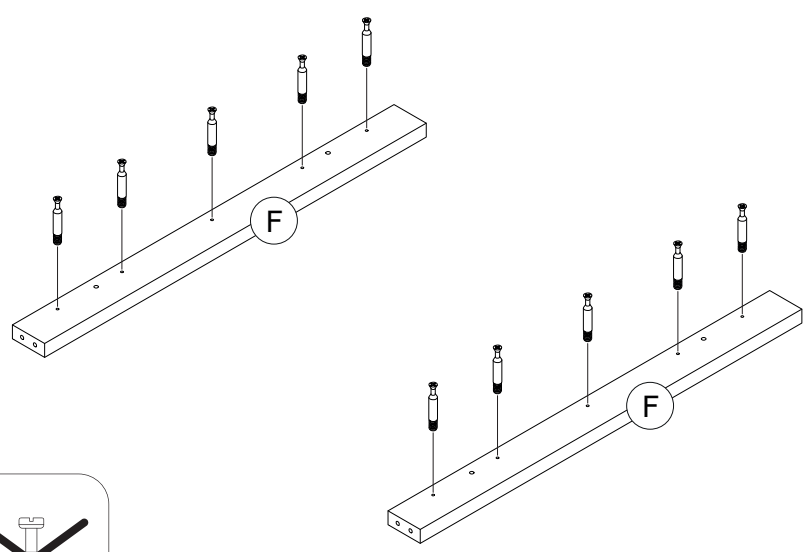
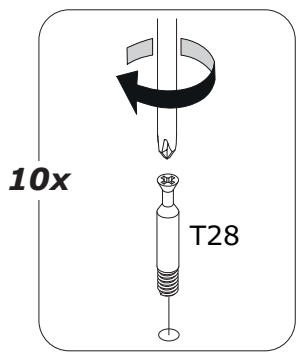
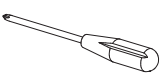
2



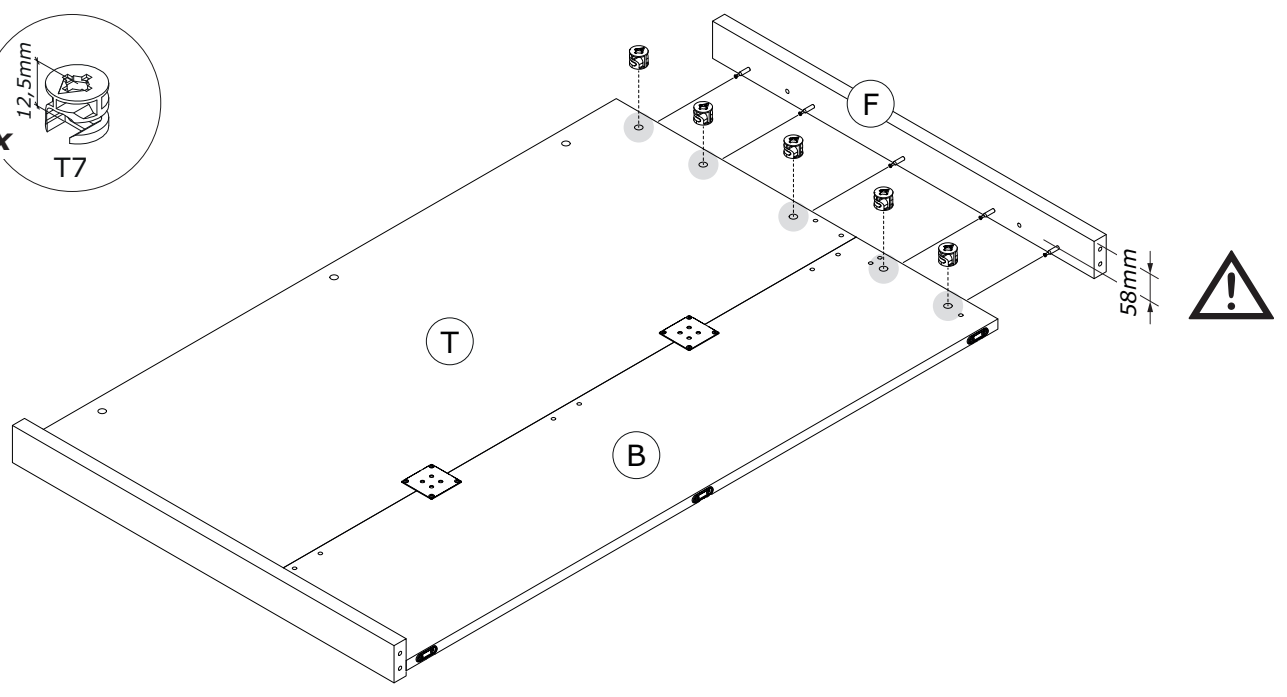
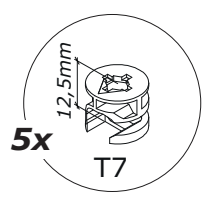
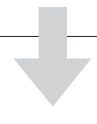
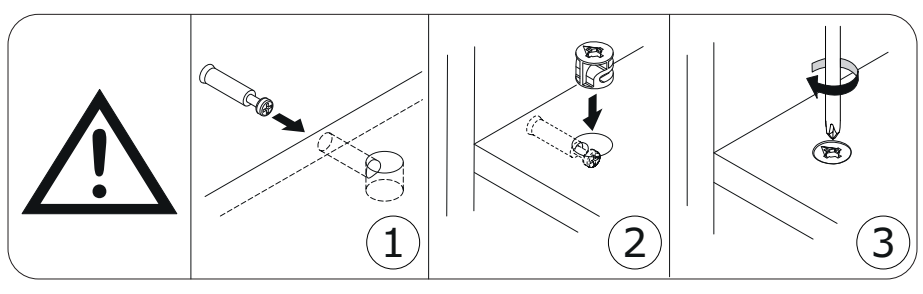
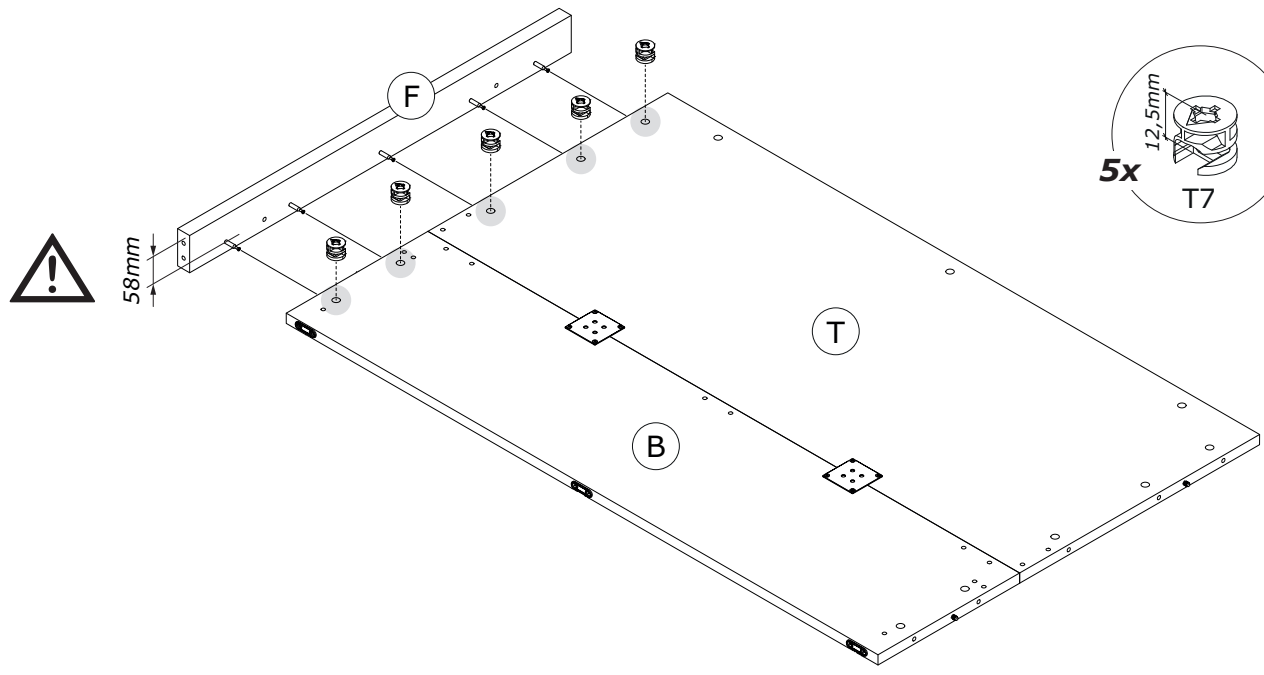
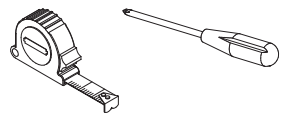
3



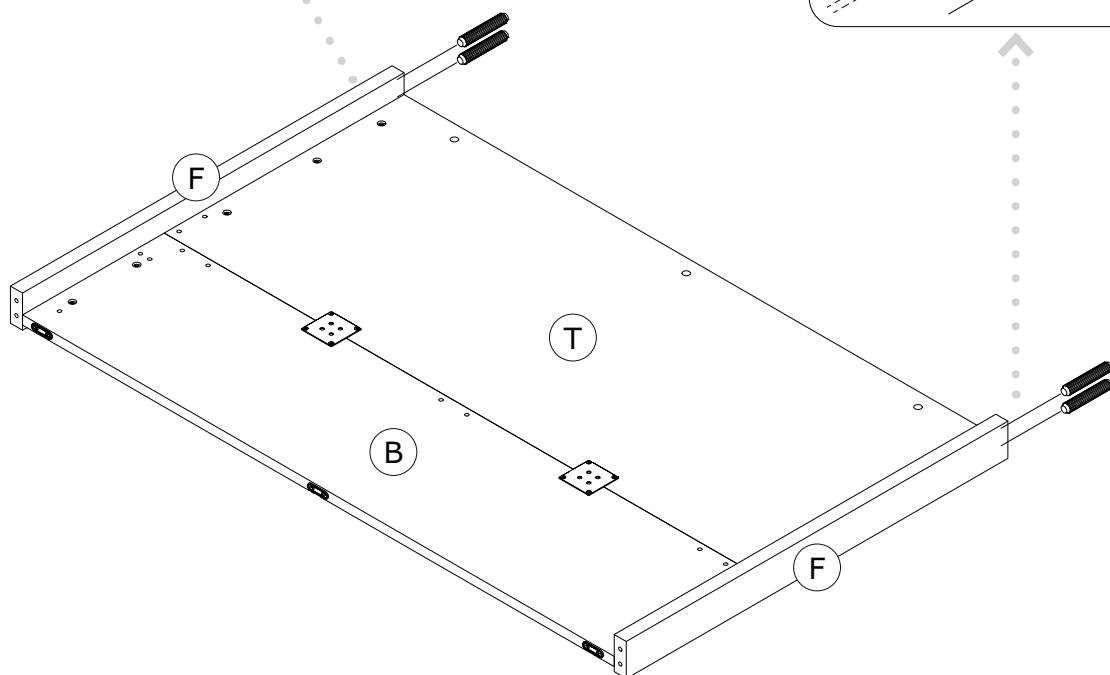
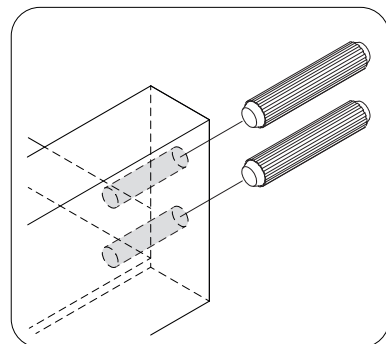
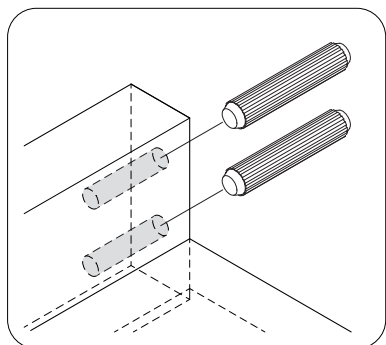
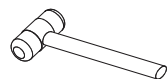
4



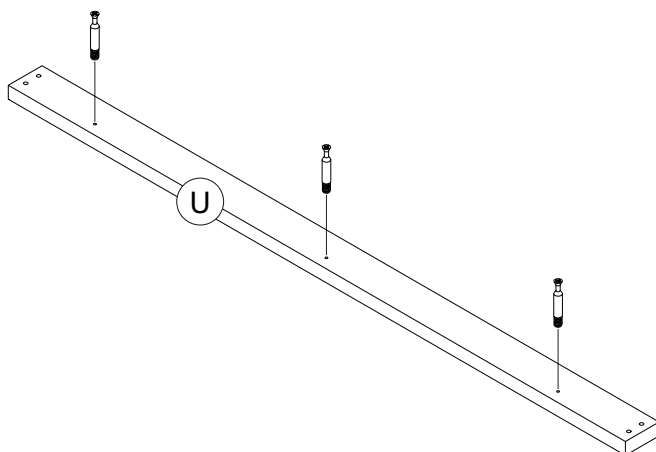
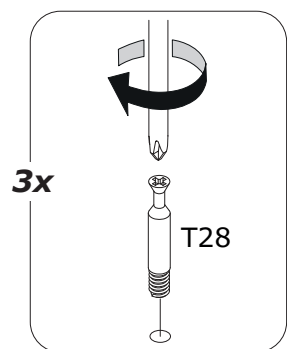
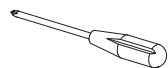
5



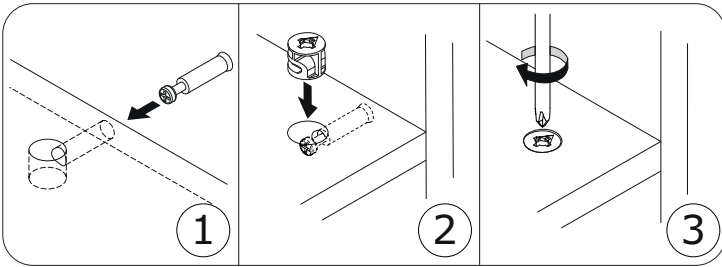
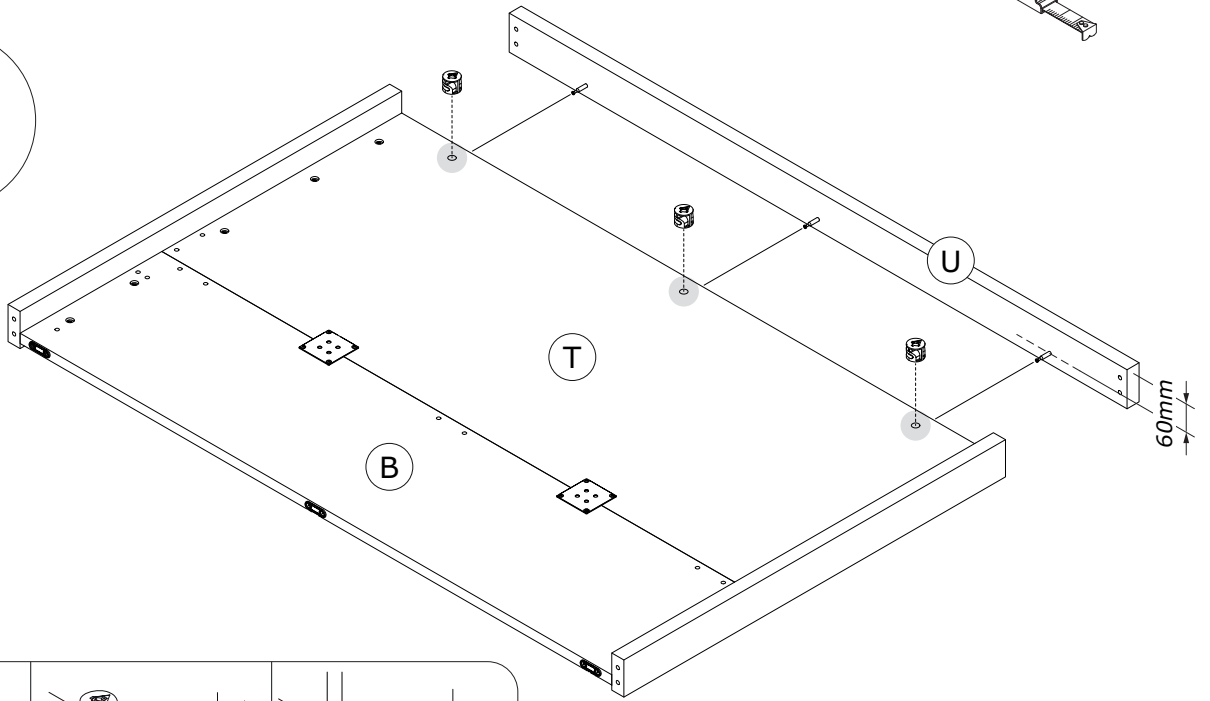
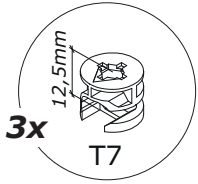
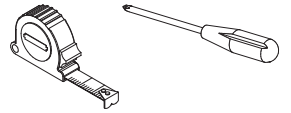
6



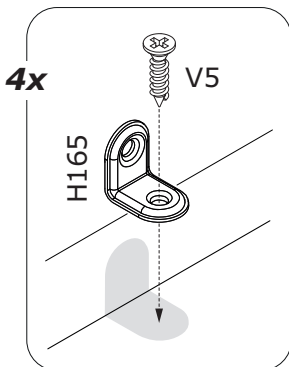
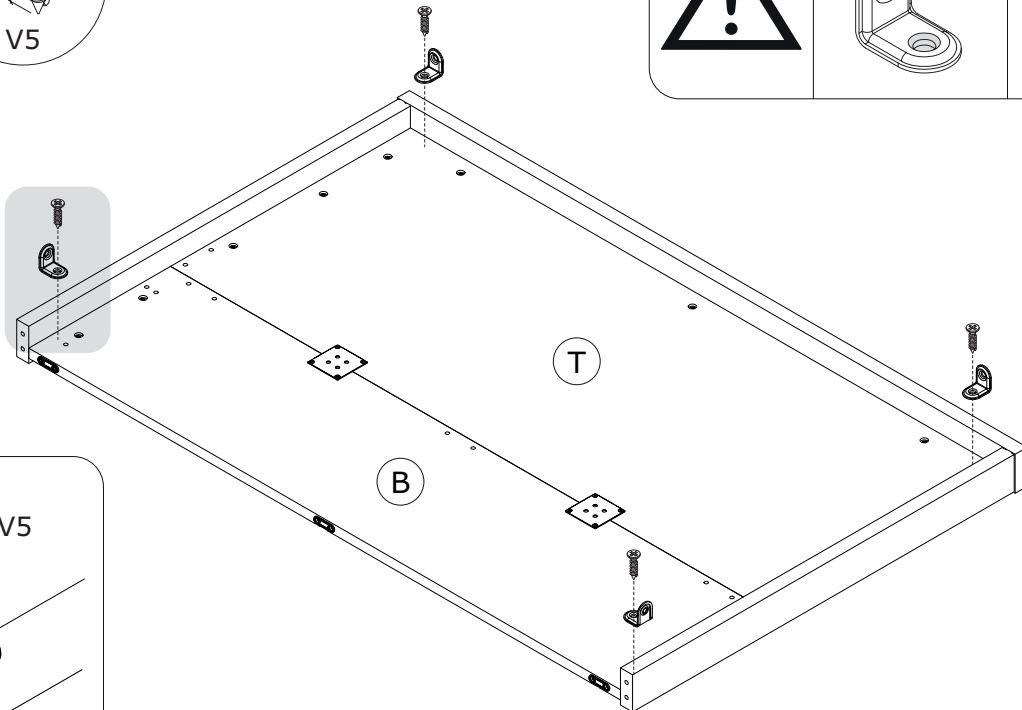
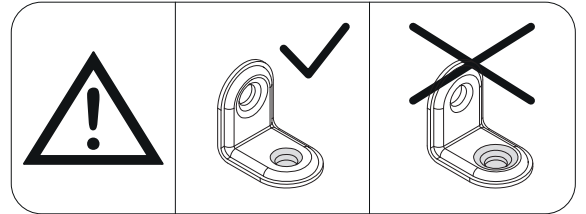
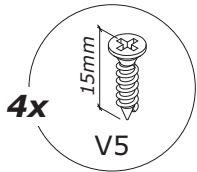
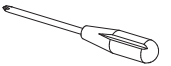
7



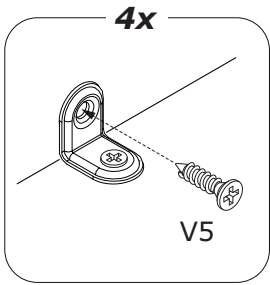
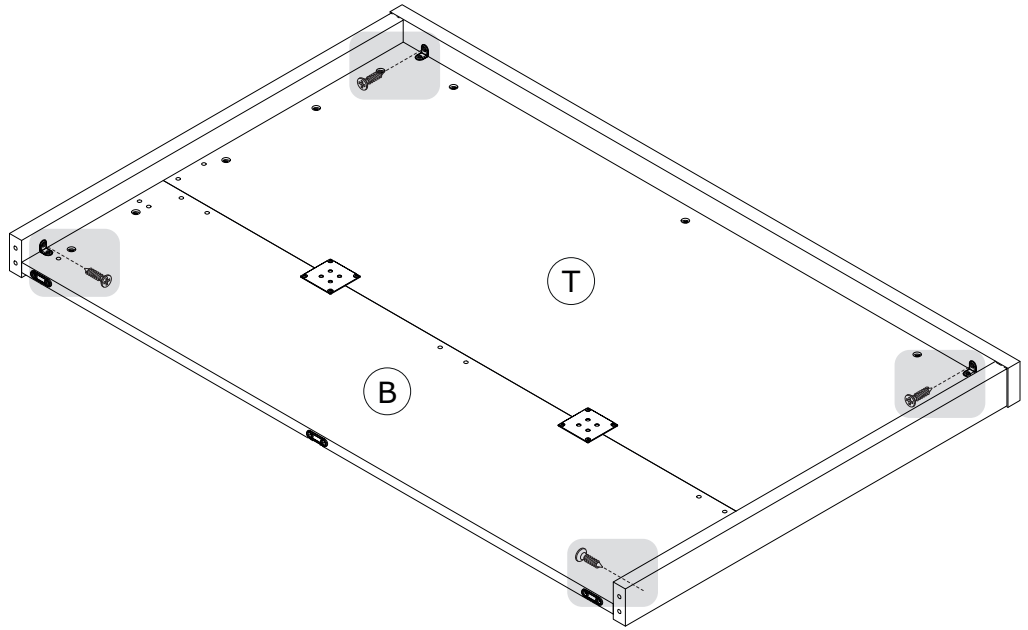
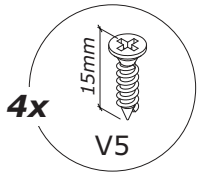
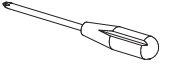
8



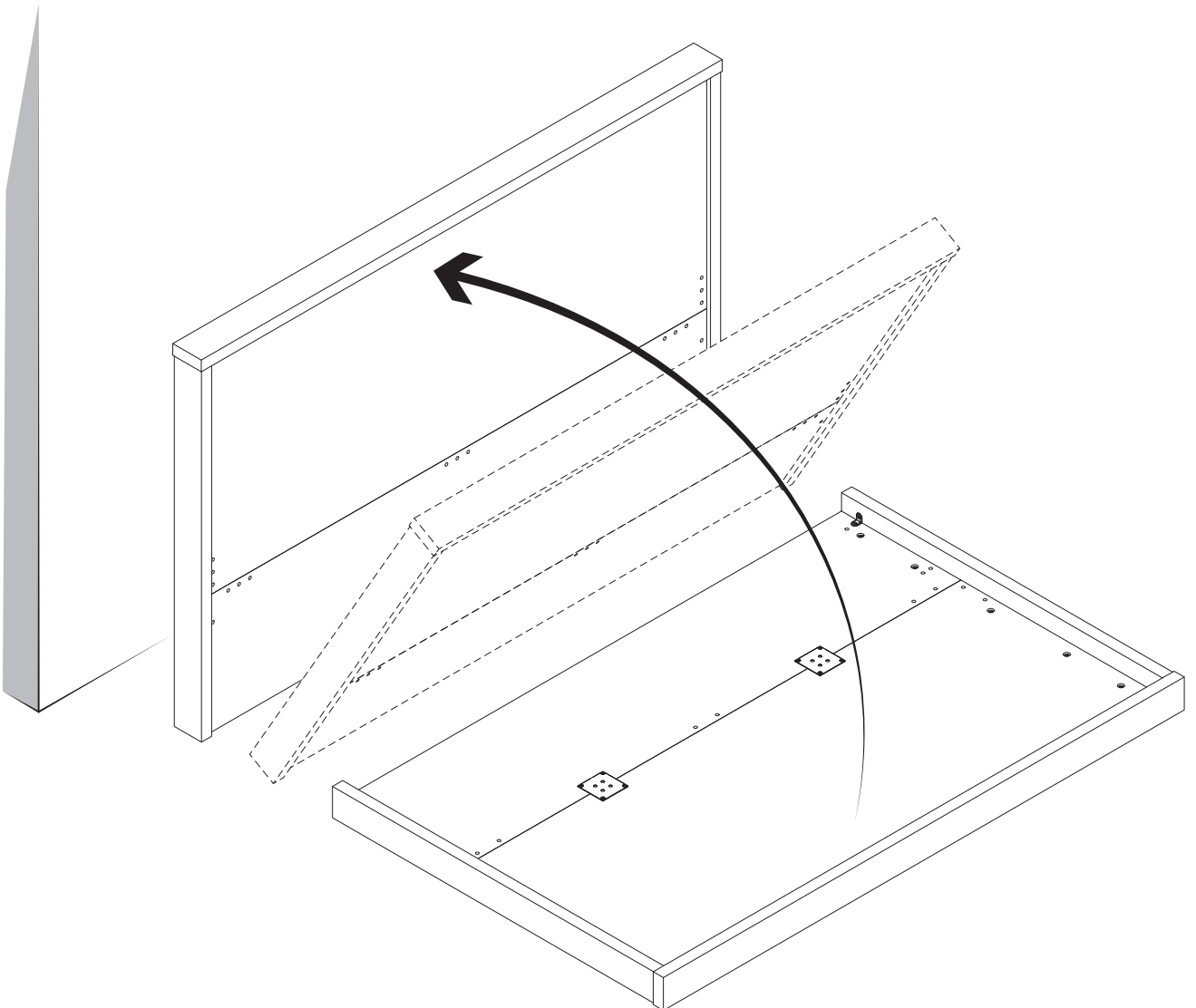
9



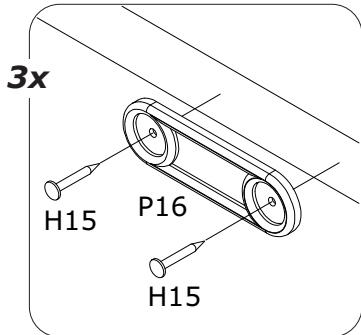
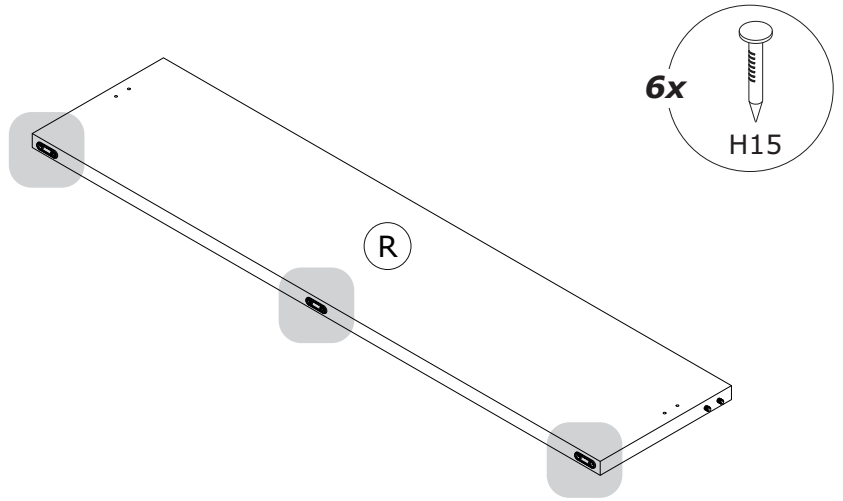
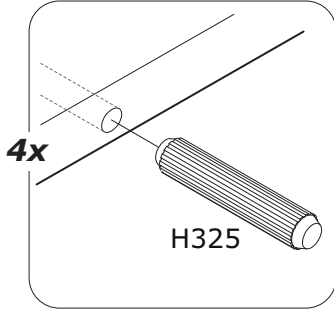
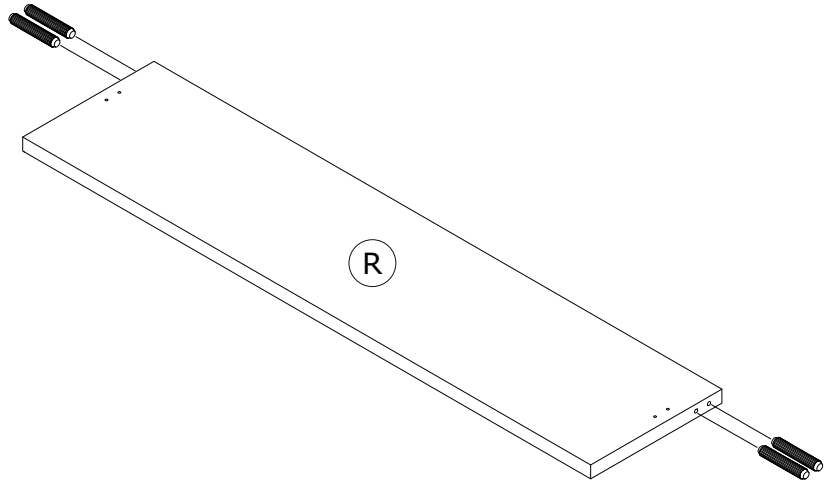
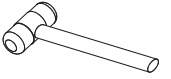
10



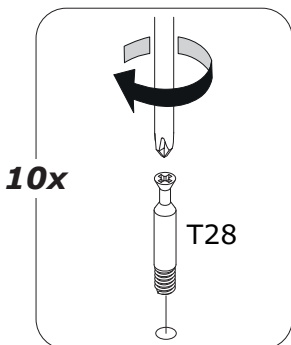
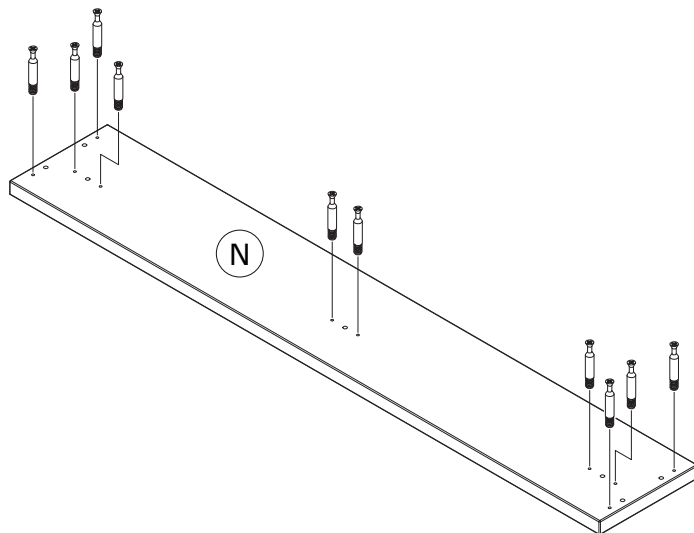
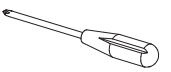
11



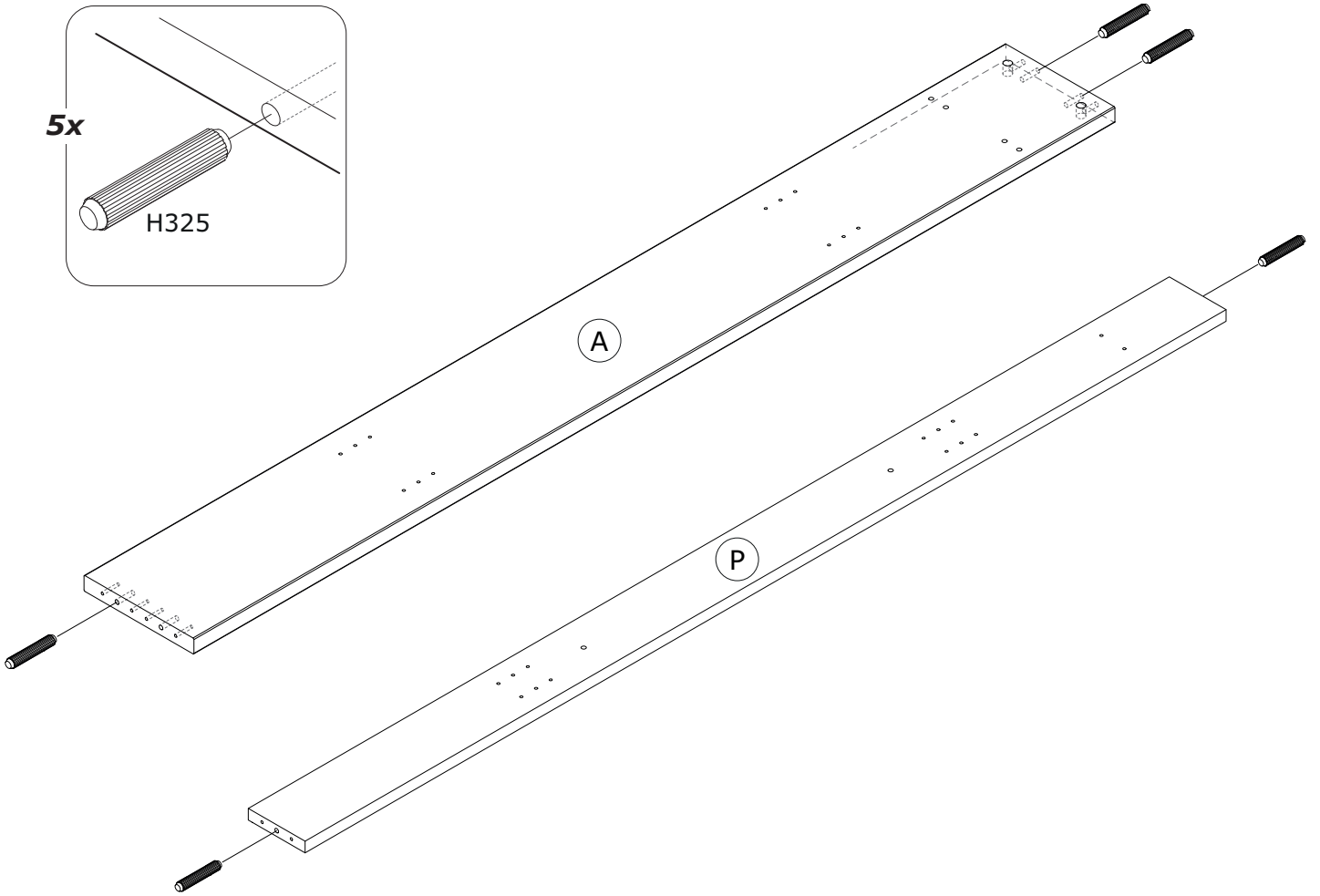
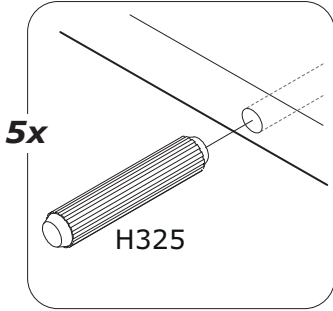
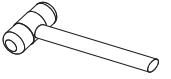
12



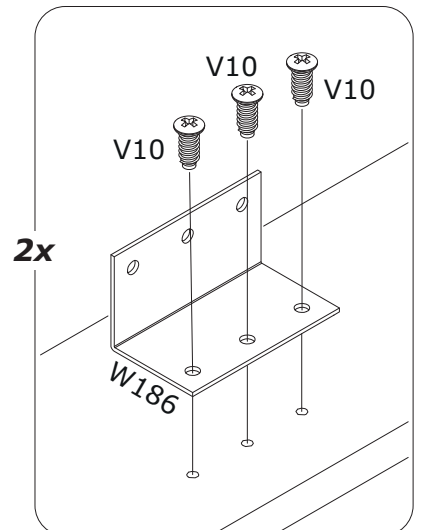
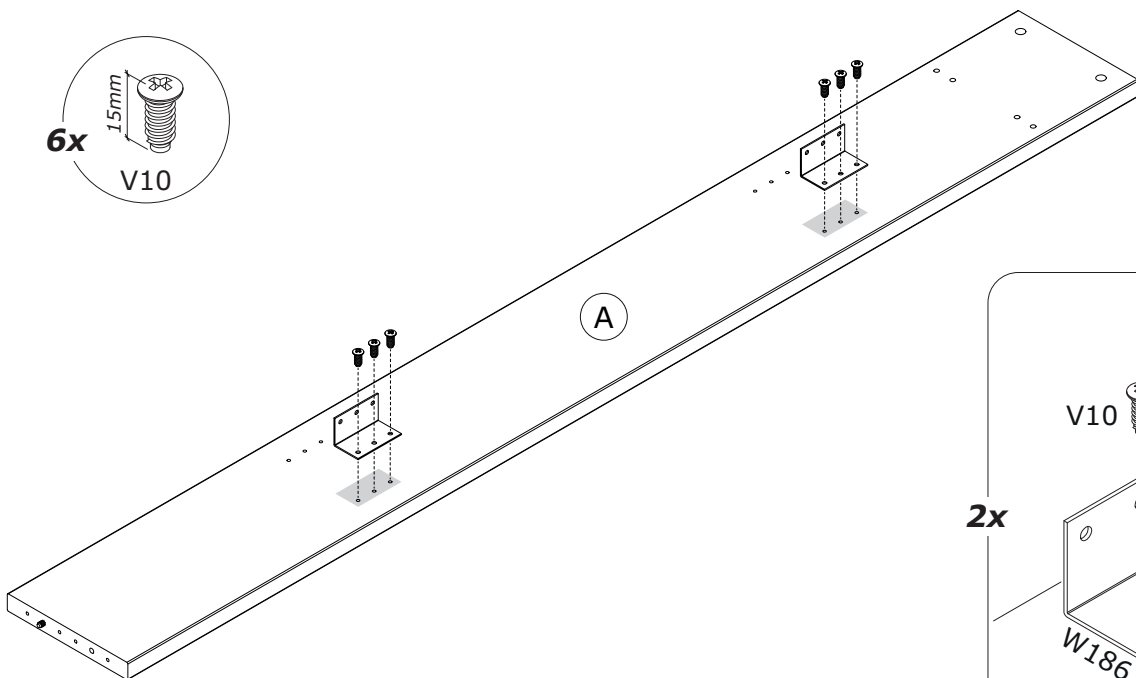
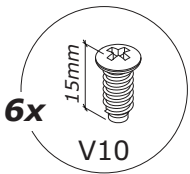
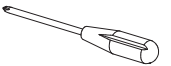
13



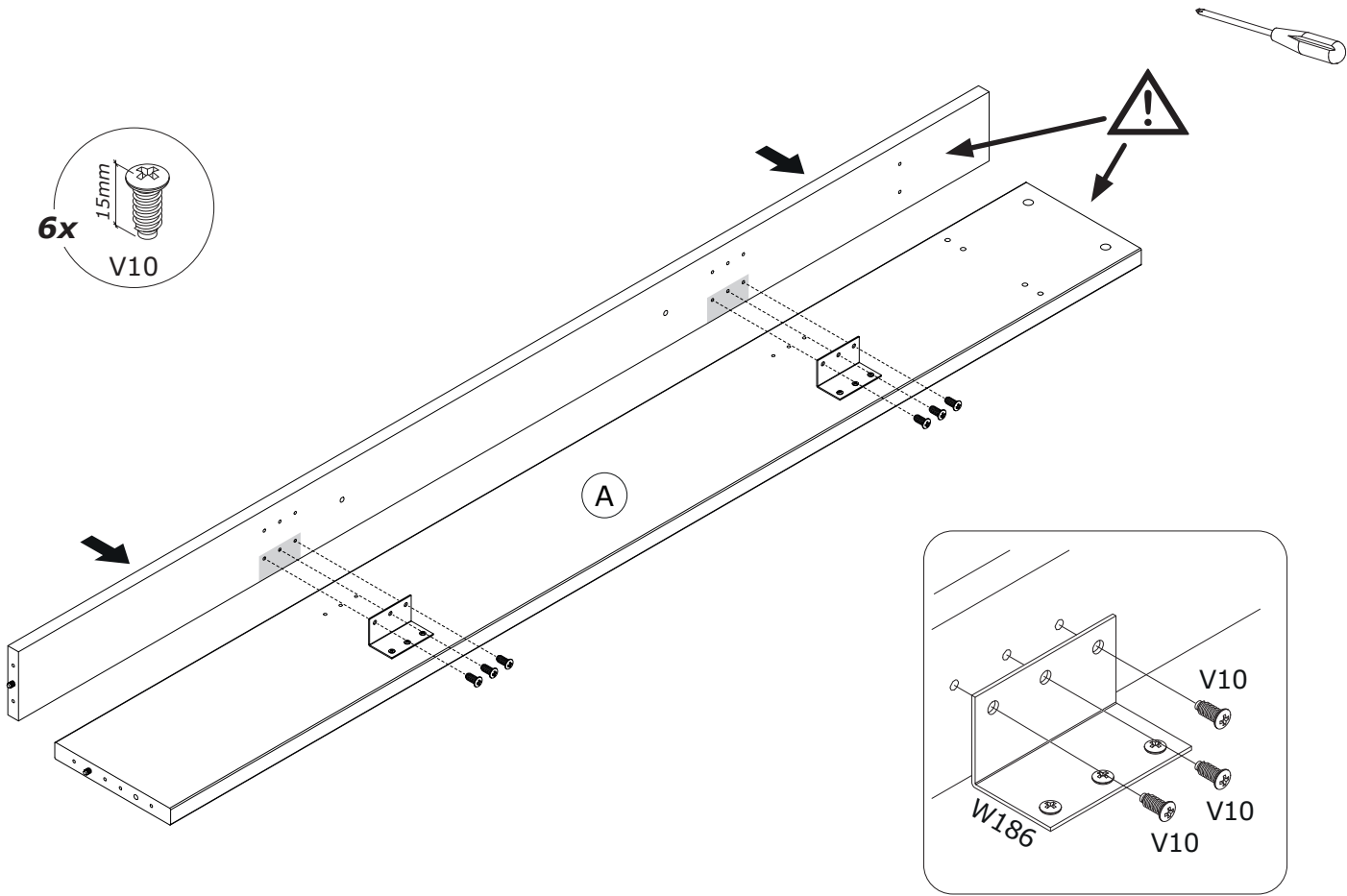
14



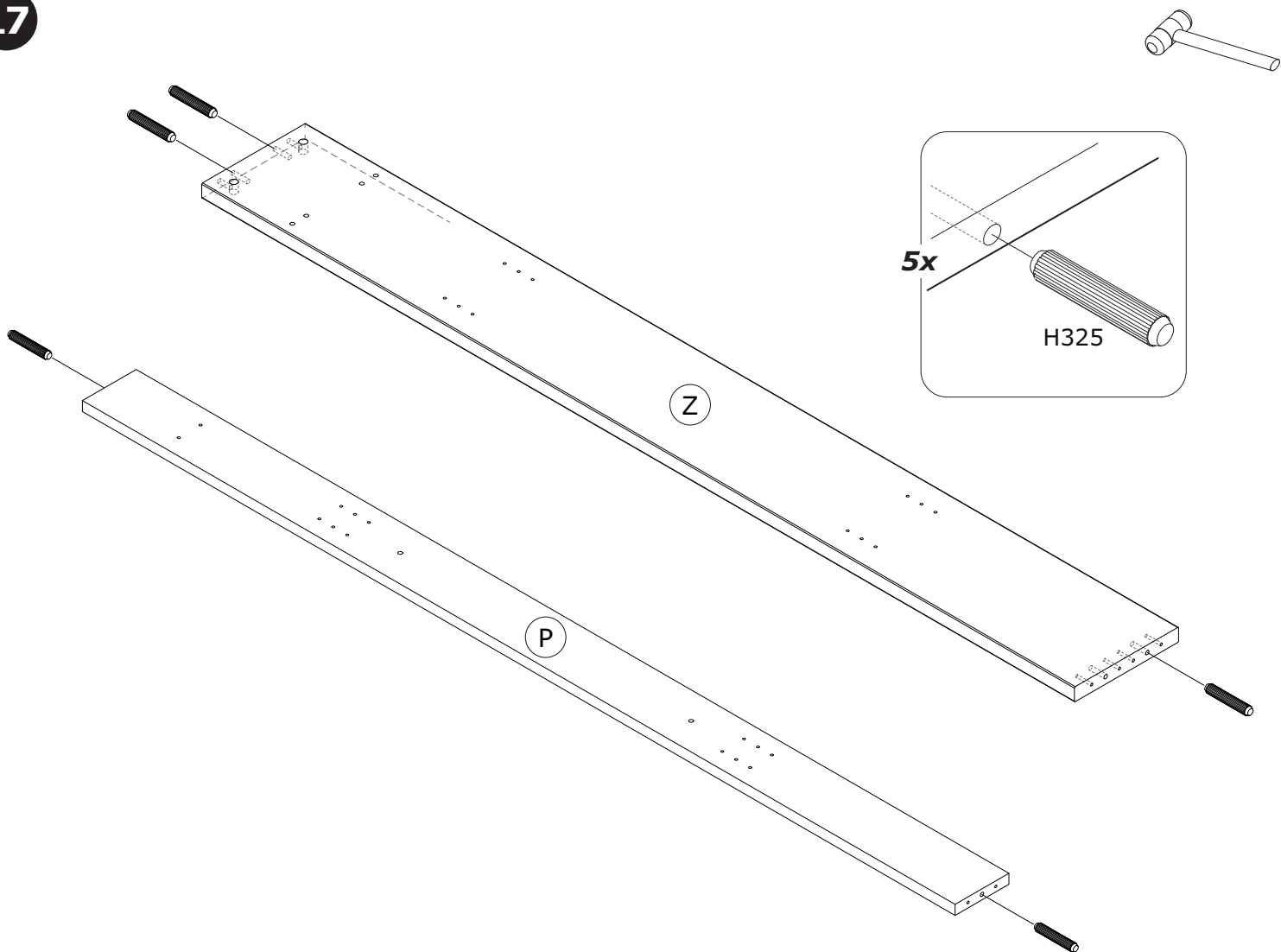
15



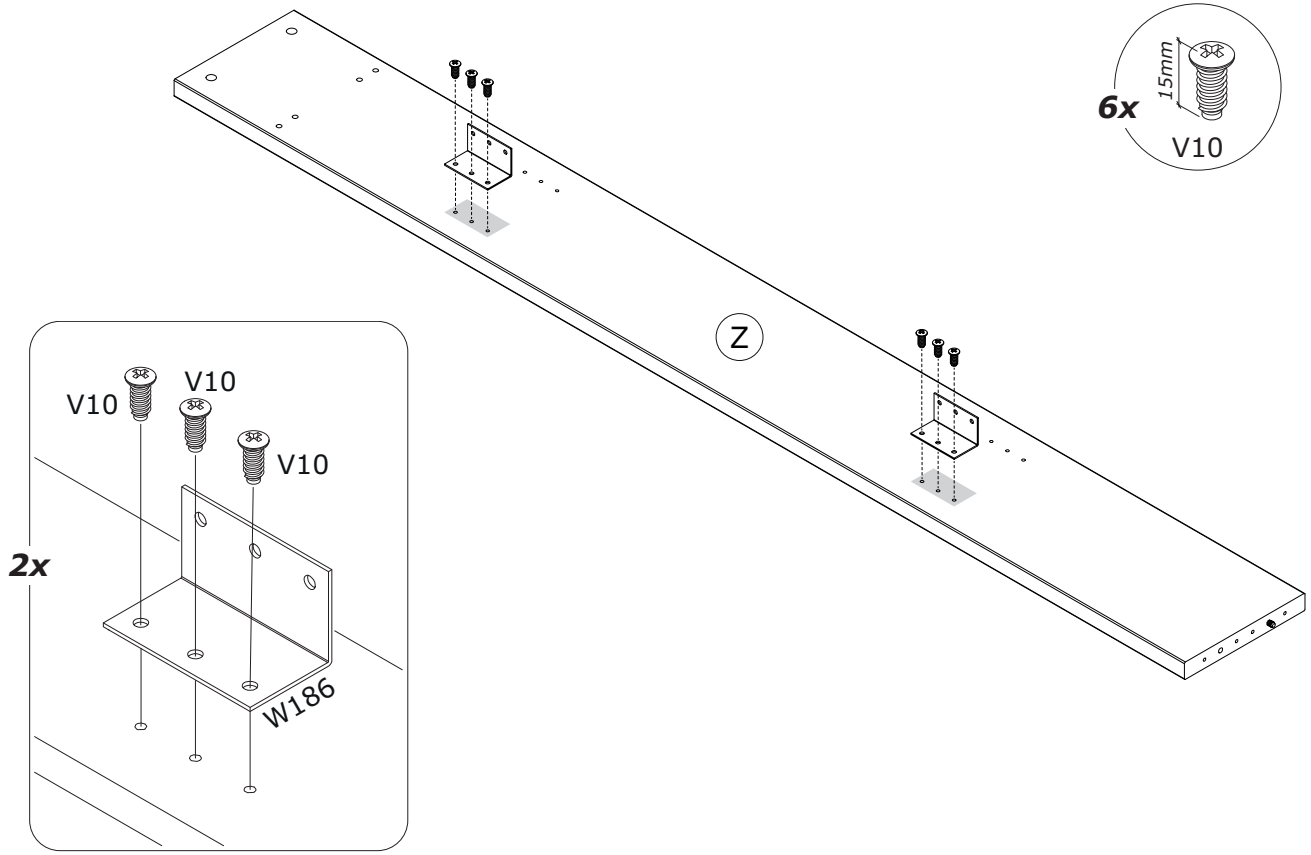
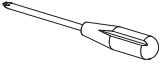
16



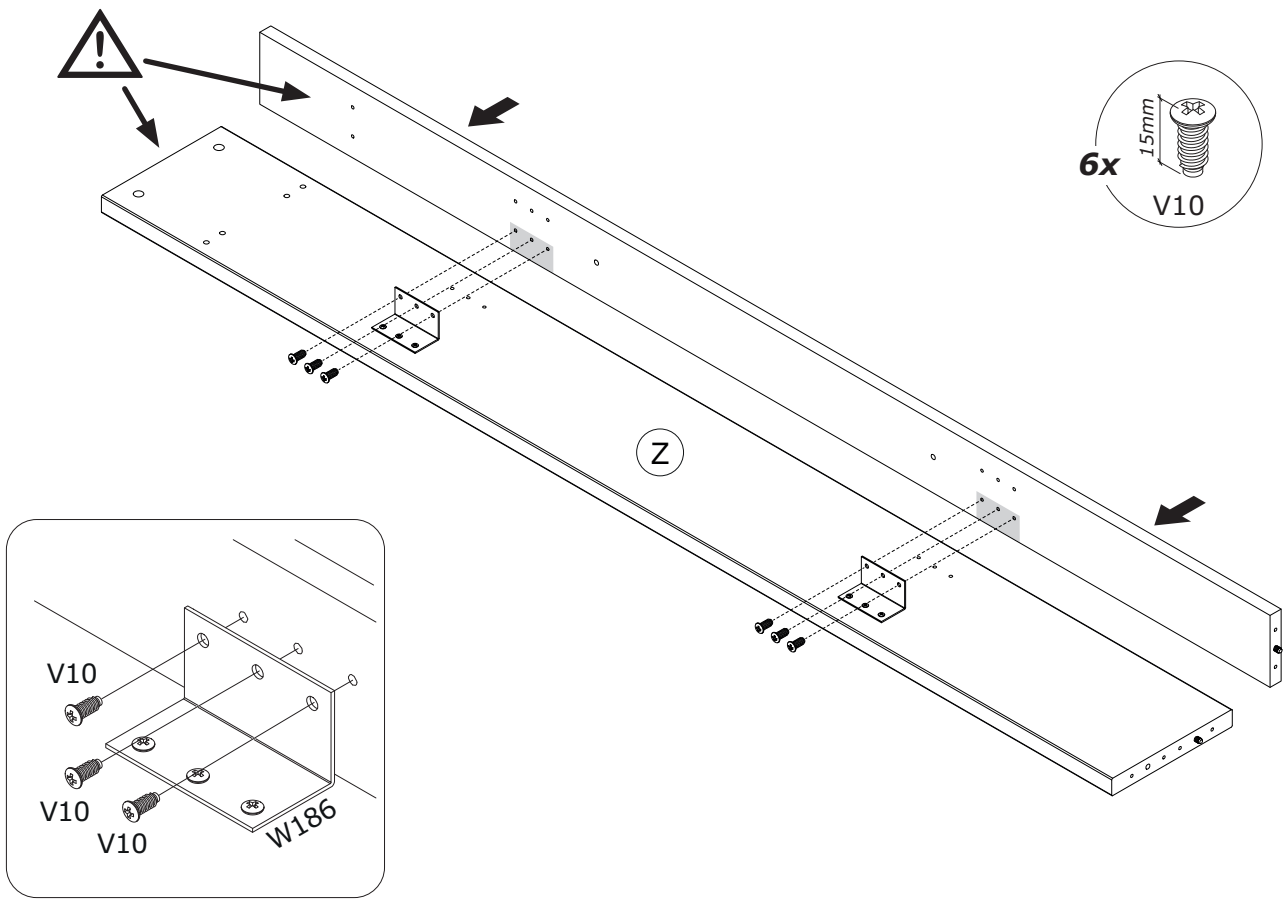
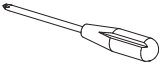
17

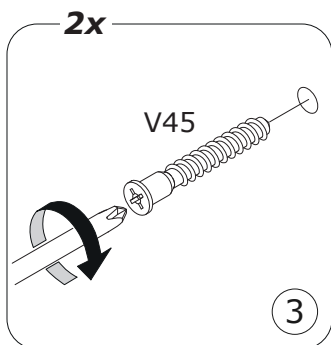
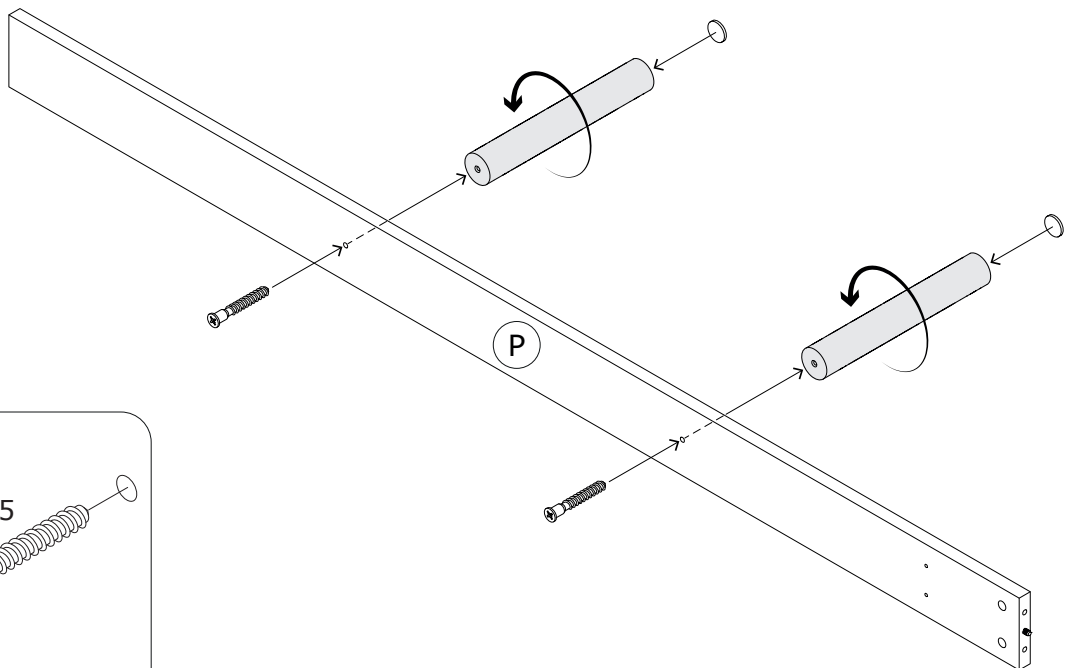
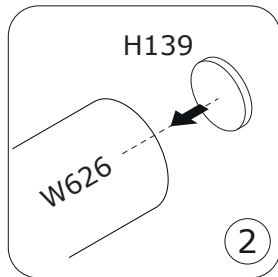
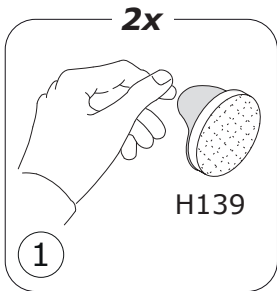
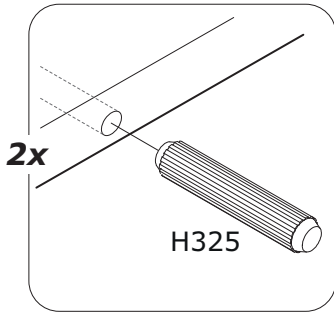
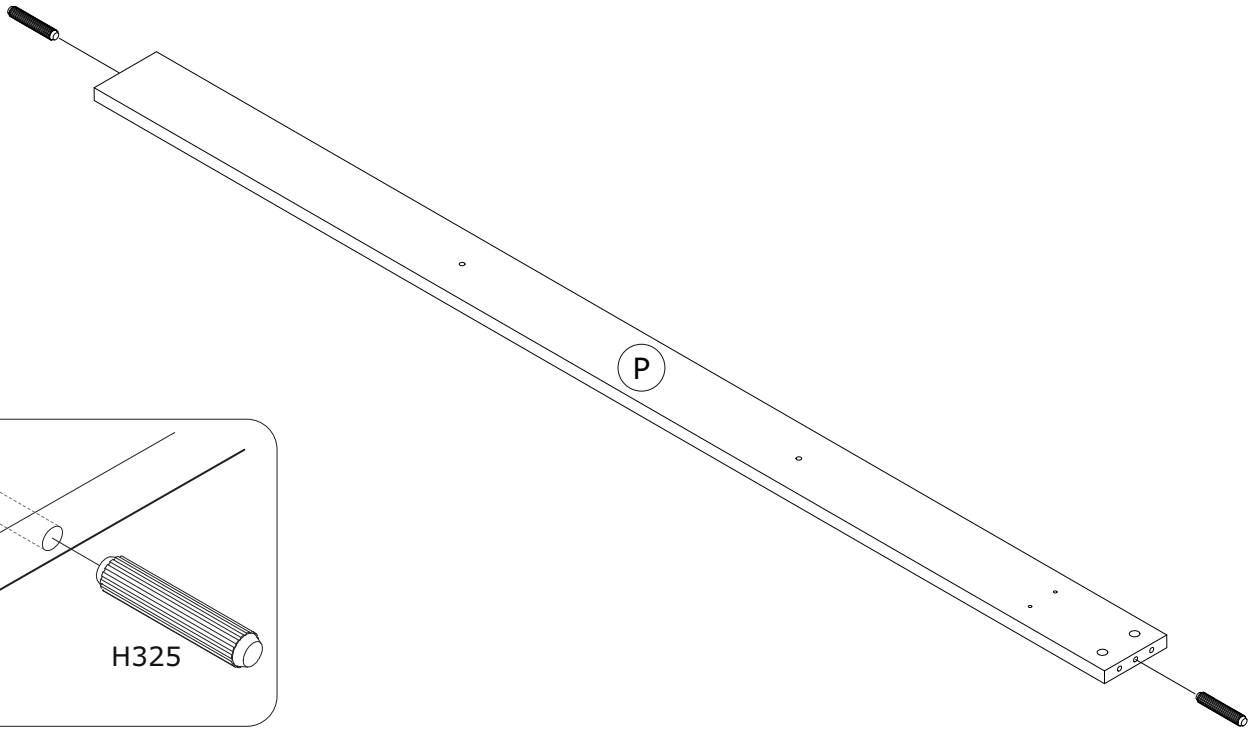
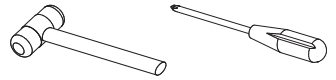


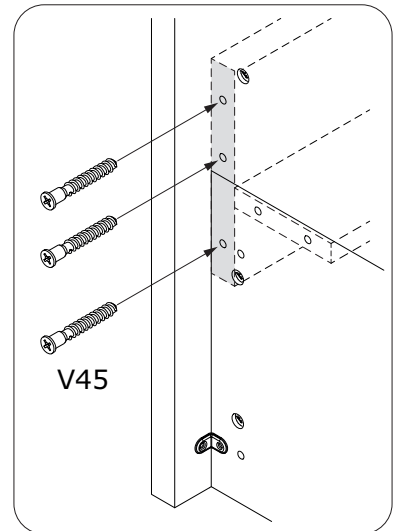
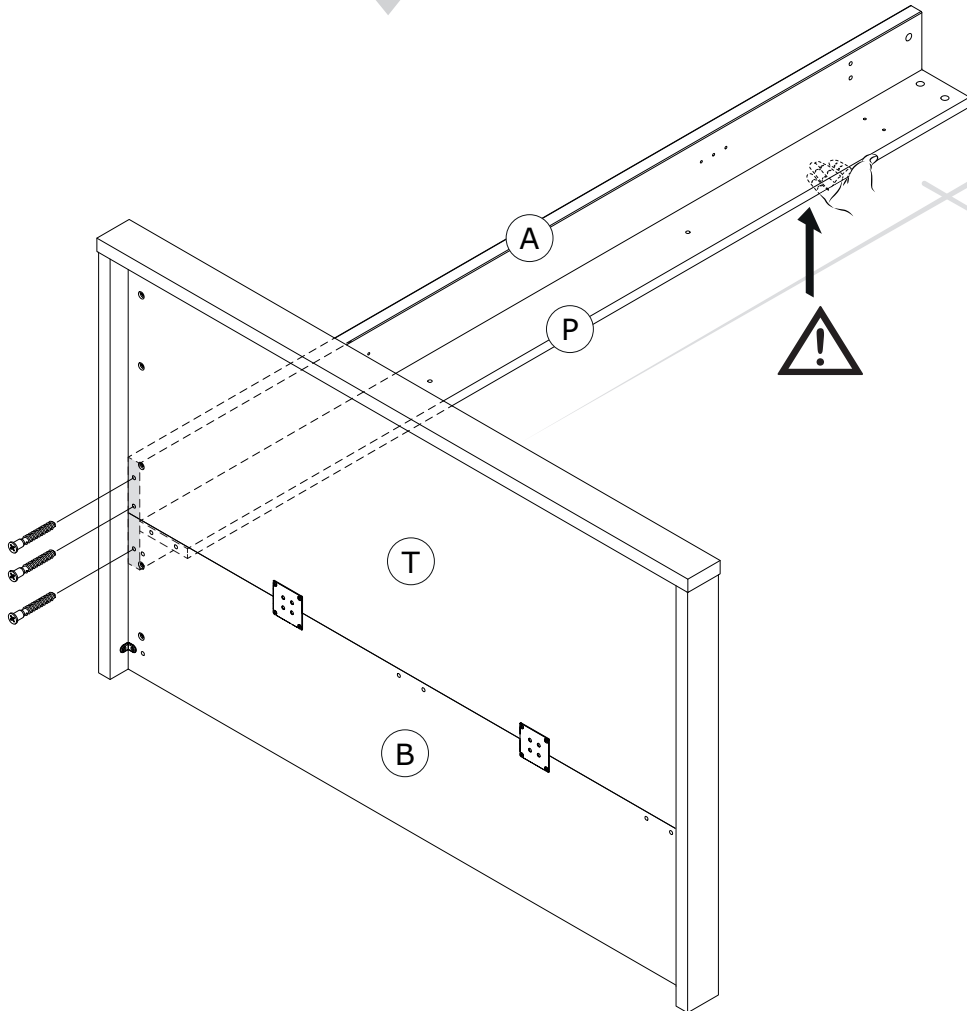
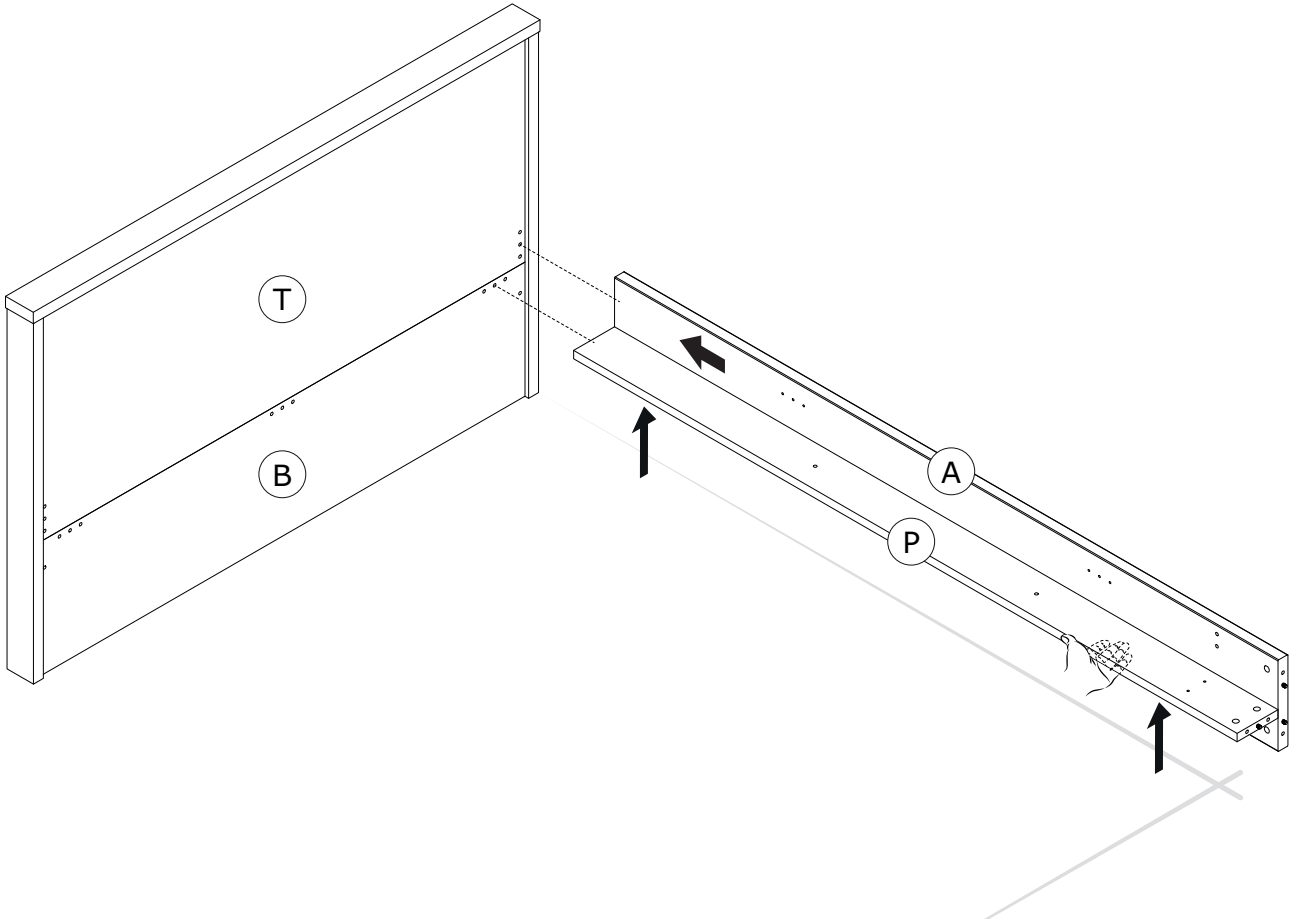
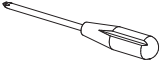
18

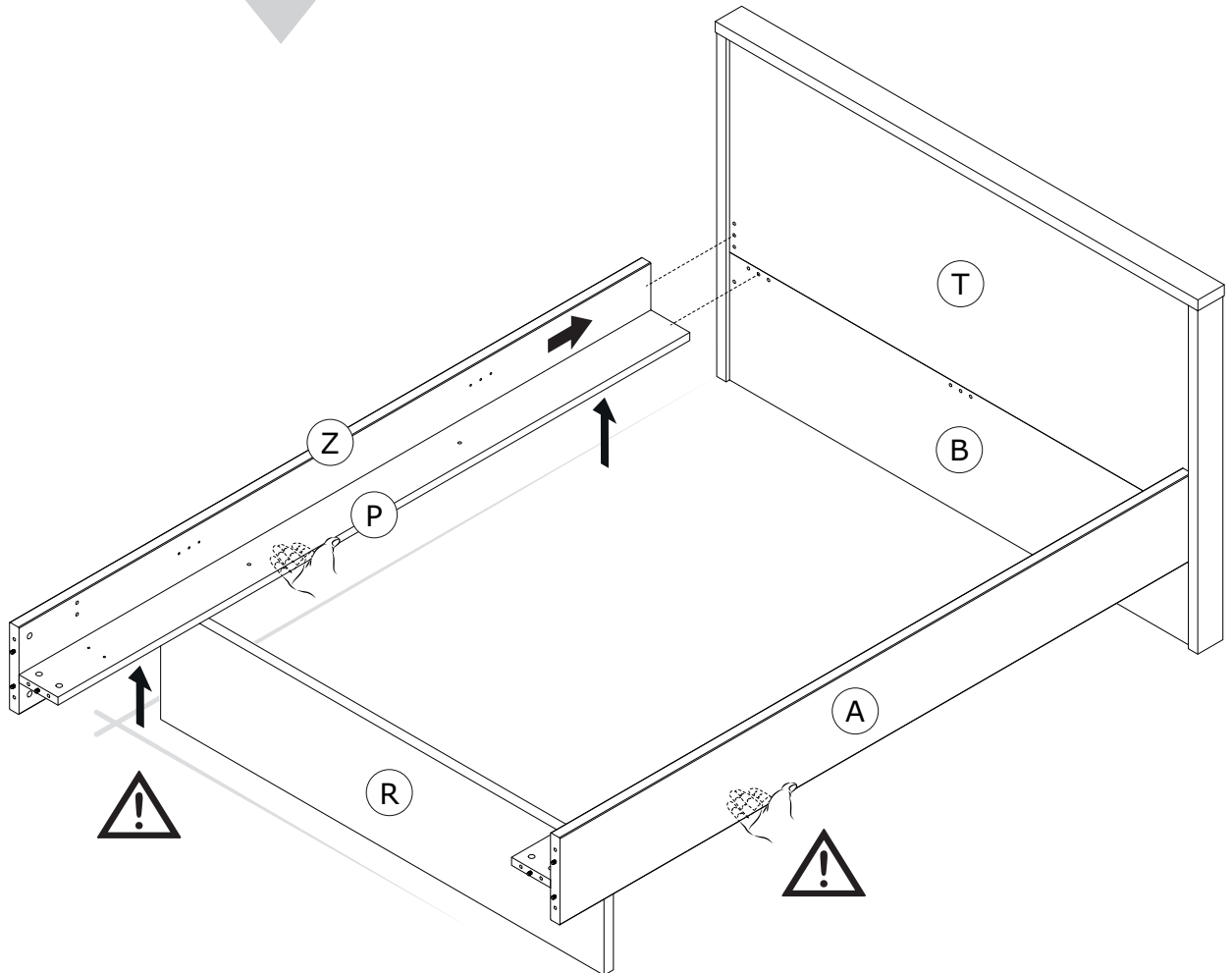
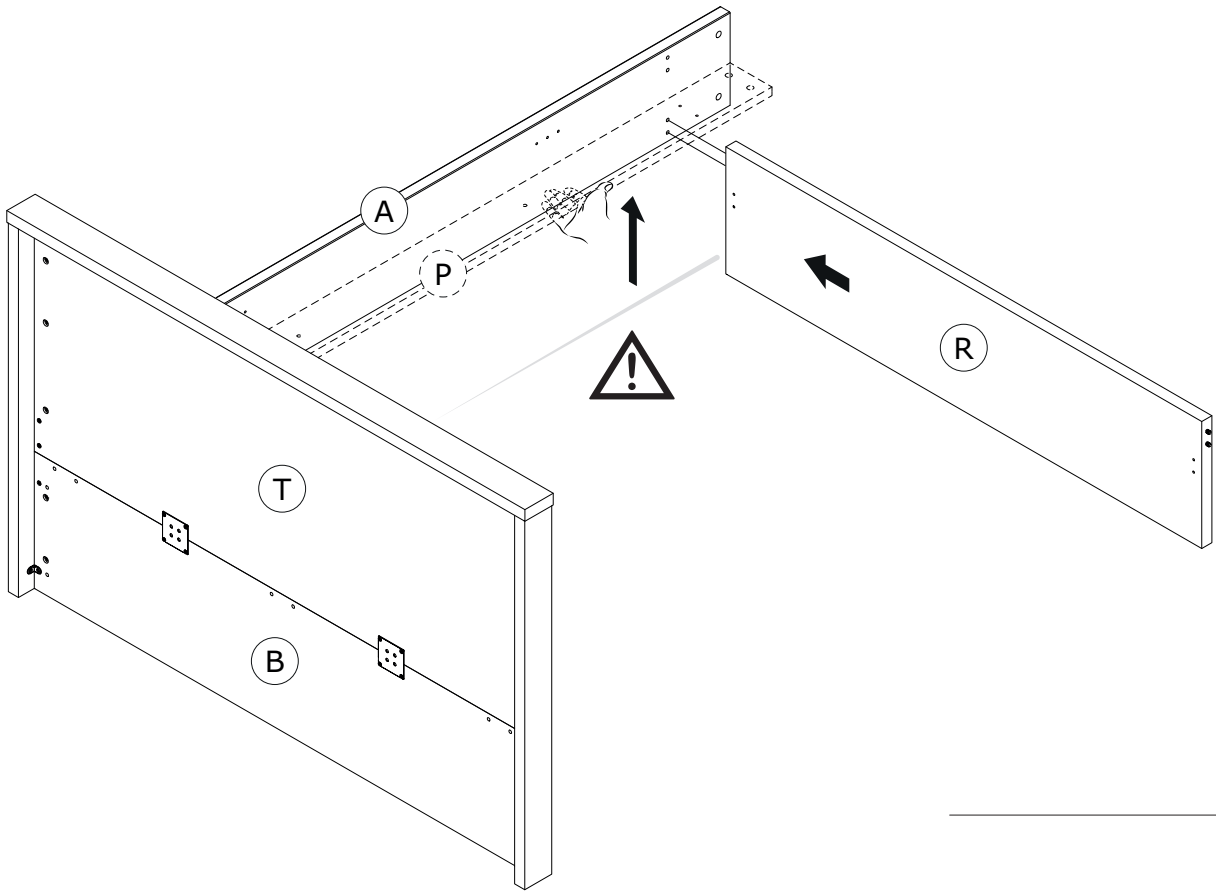


19

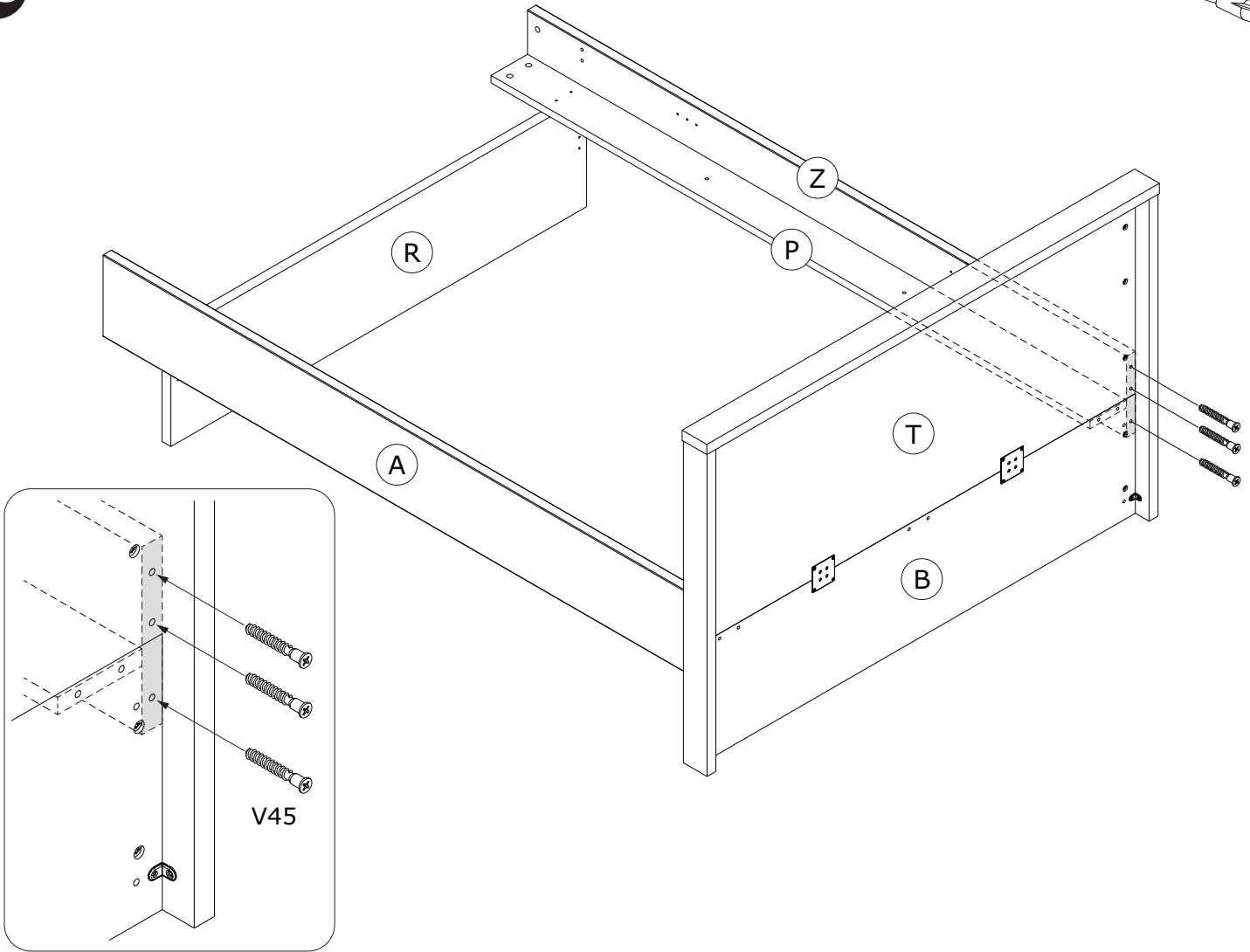
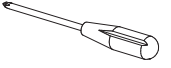




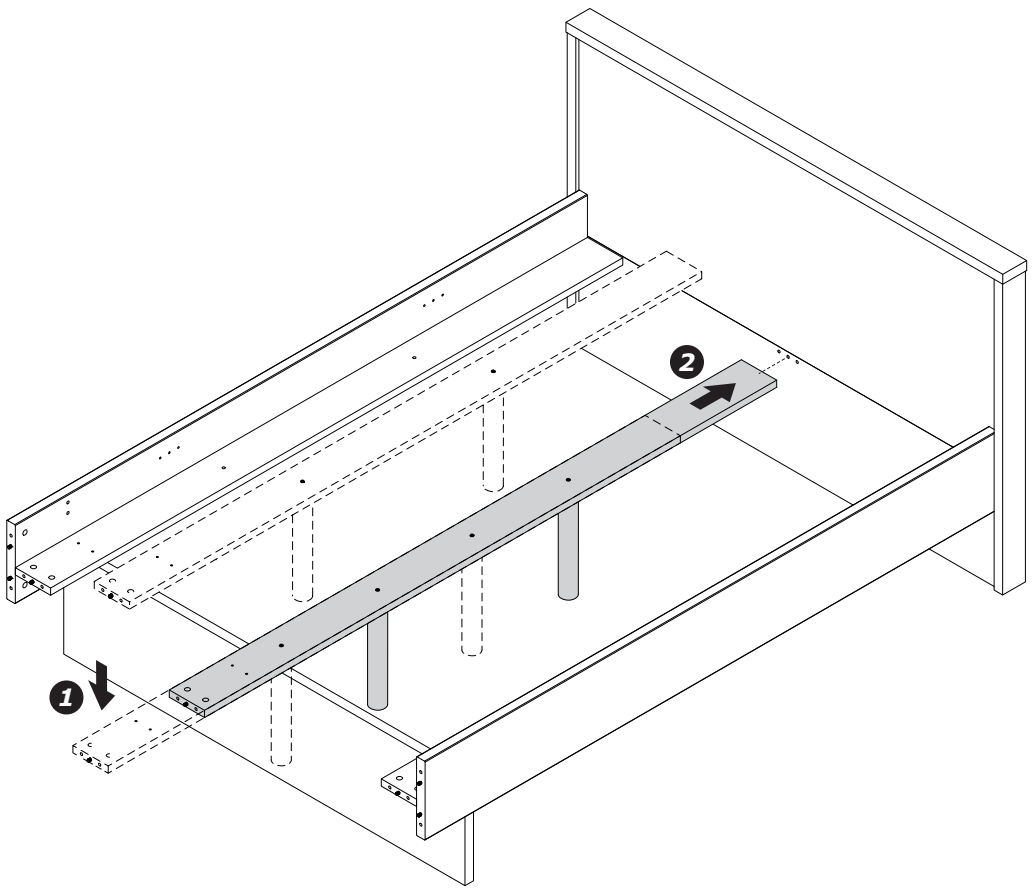


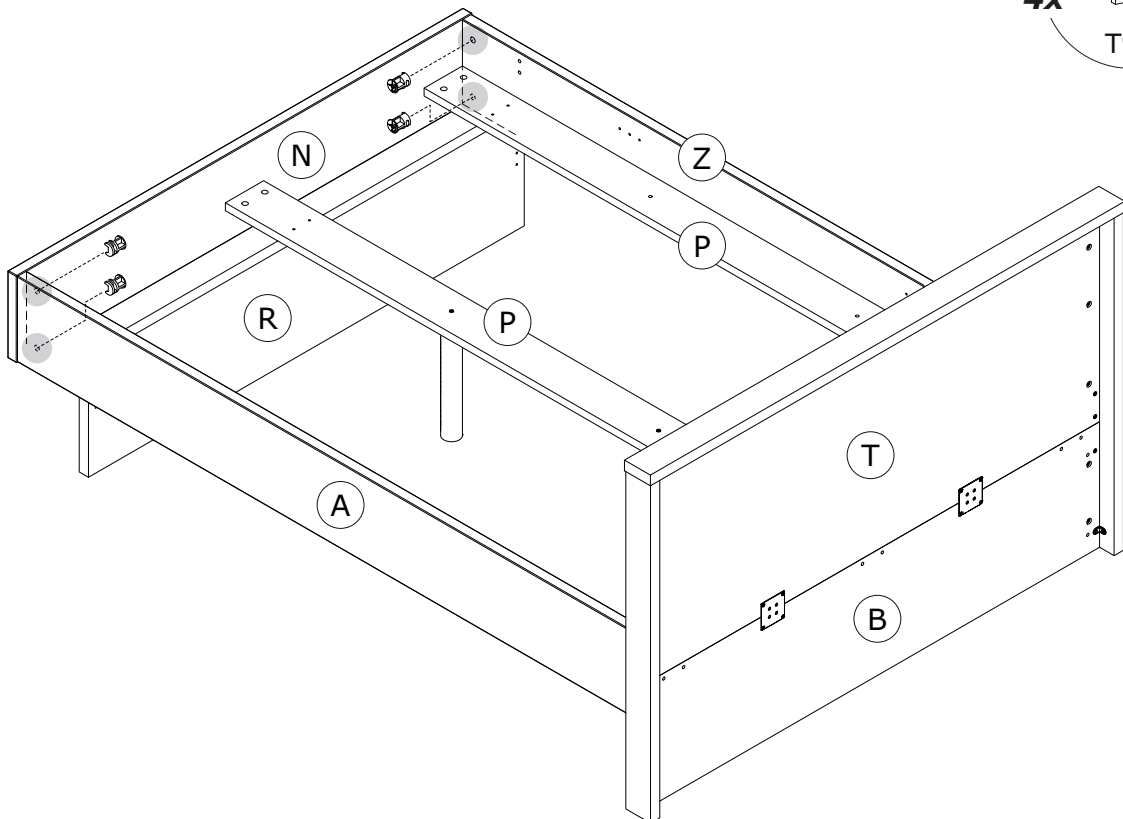
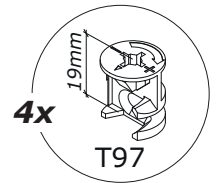
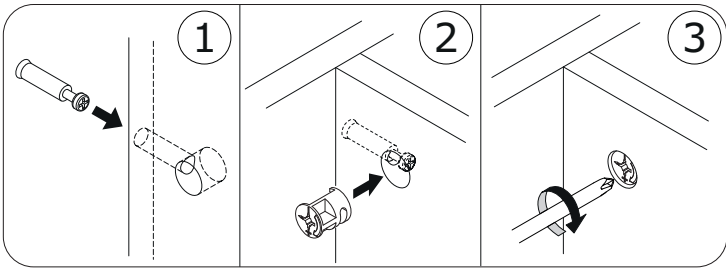
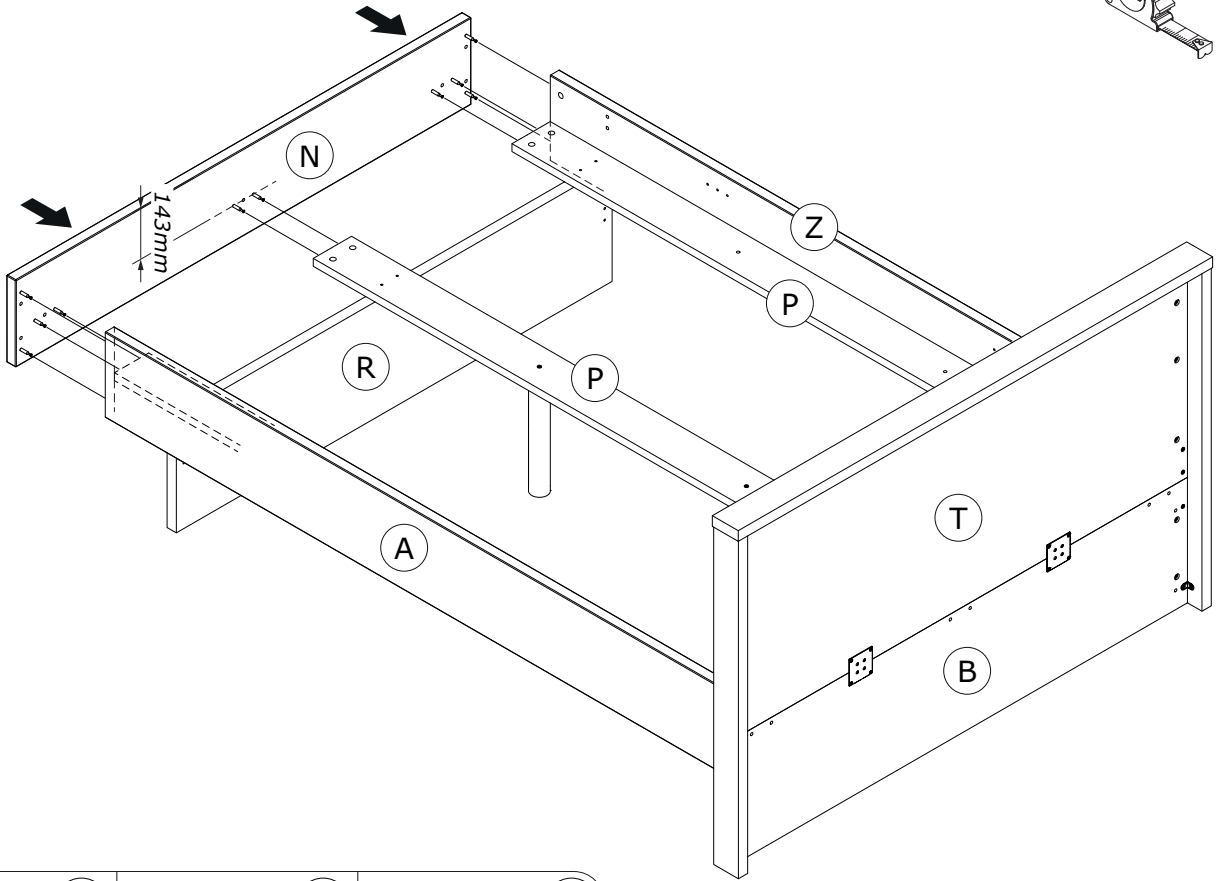
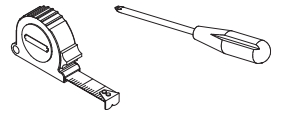


23

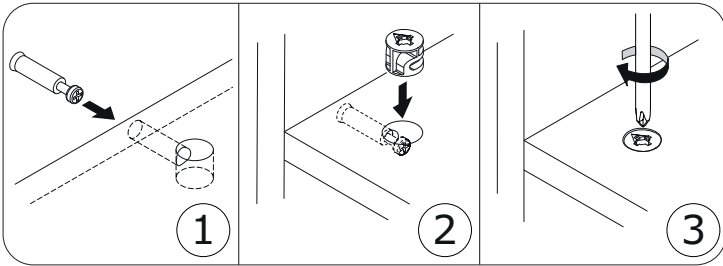
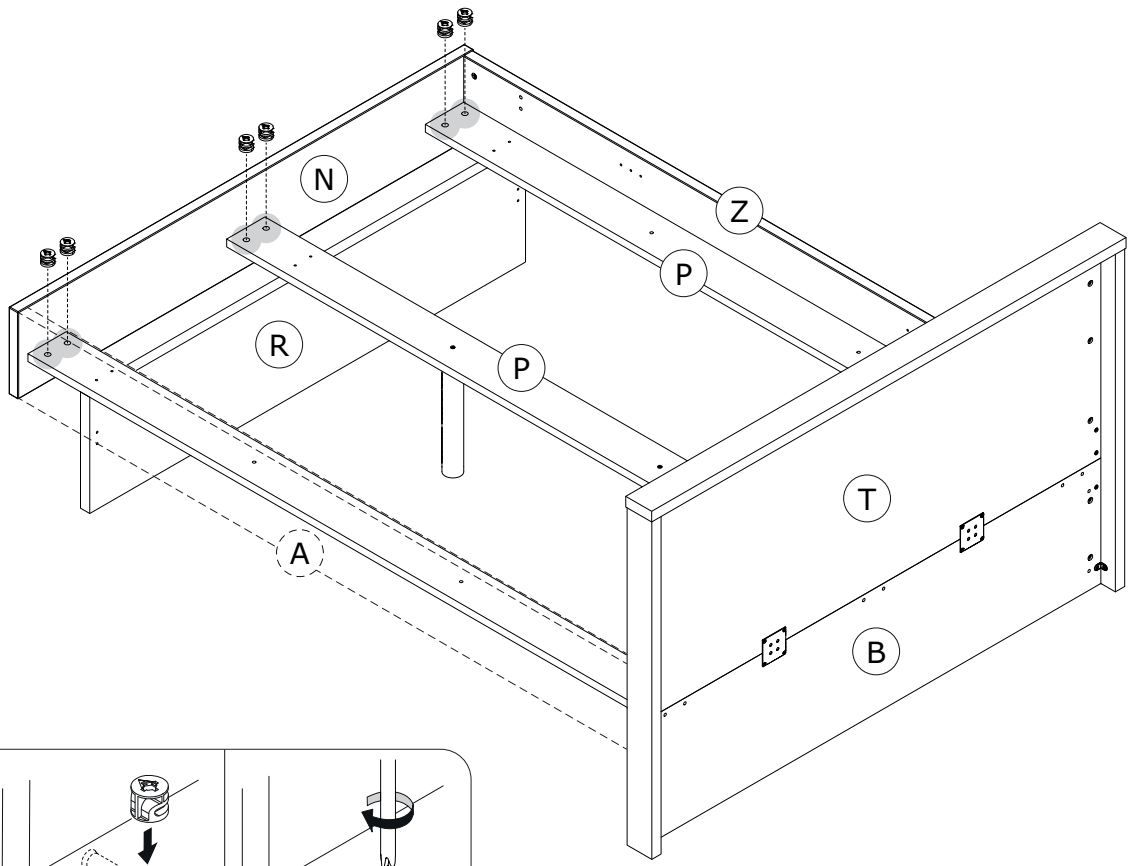
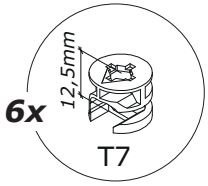
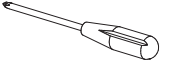


24





26



27

