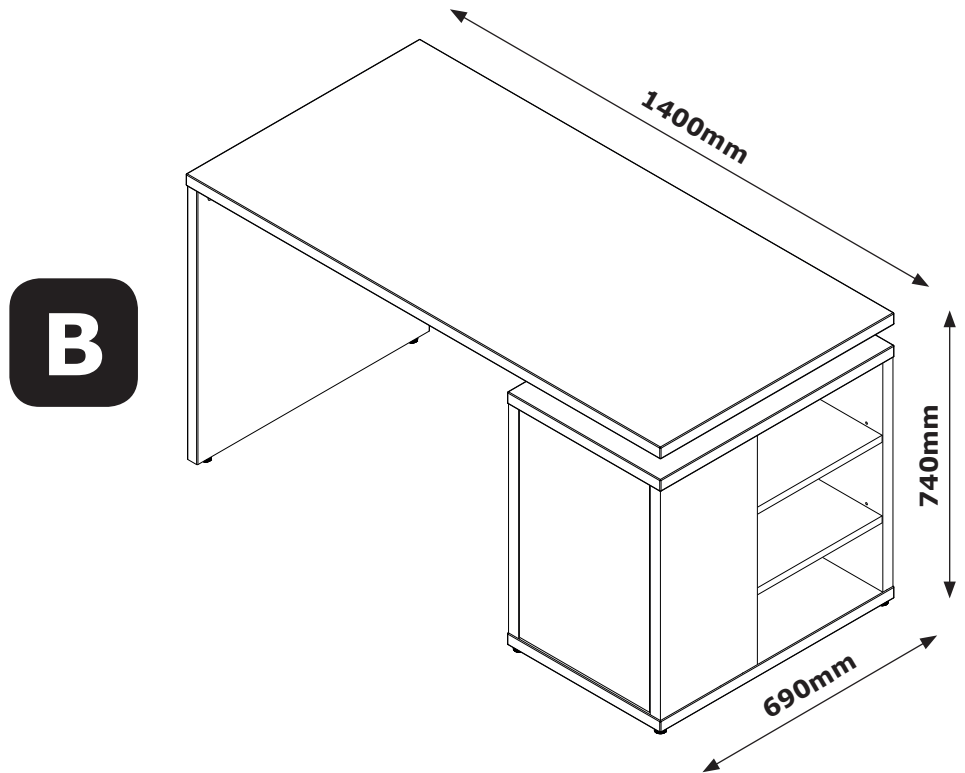
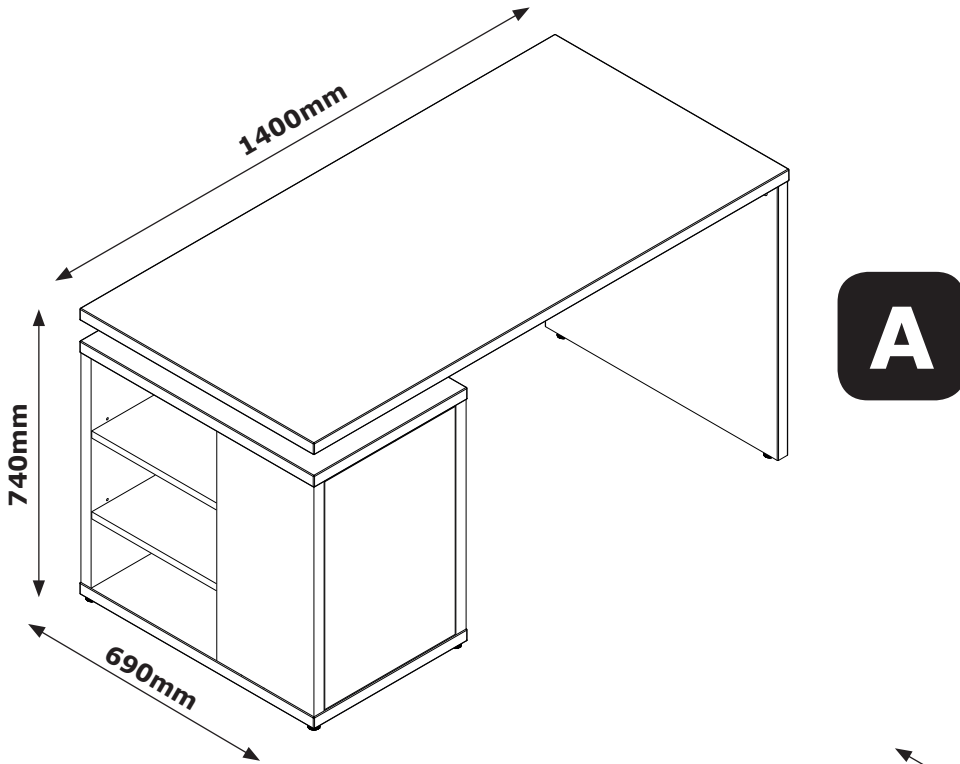


# SR0767K30404



QF5024

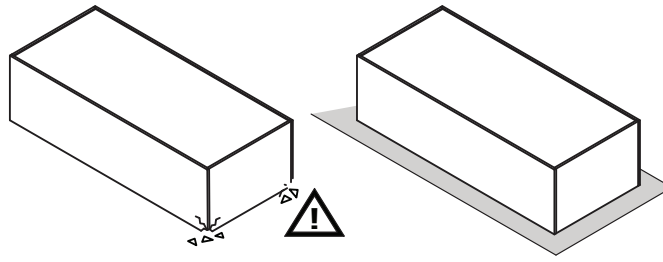
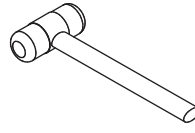
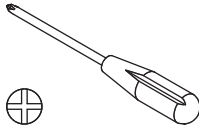


MADE IN ITALY

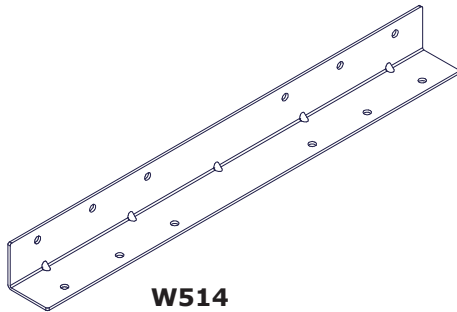
Produced by COMPOSAD srl, Via Lombardia 29, 46019 Viadana (MN) ITALY



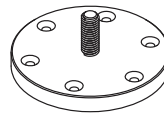
2,5h



**BU4179**



**W514**  
x1

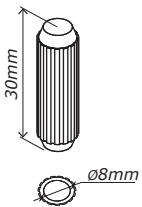


**W406**  
x2

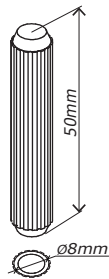


**W432**  
x2

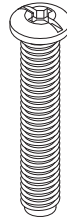
**BU4180**



**H1**  
x16



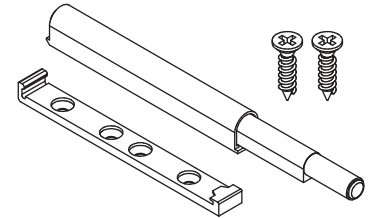
**H32**  
x4



**V156**  
x2



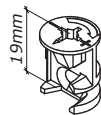
**V57**  
x8



**H240**  
x1



**T99**  
x2



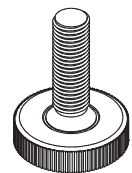
**T97**  
x10



**H118**  
x6



**T28**  
x12



**P14**  
x6



**R40**  
x12



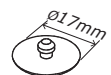
**V20**  
x12



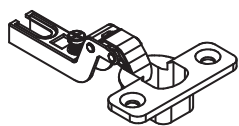
**V10**  
x12



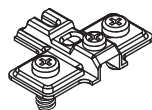
**H54**  
x2



**G57**  
x4



**C39**  
x2

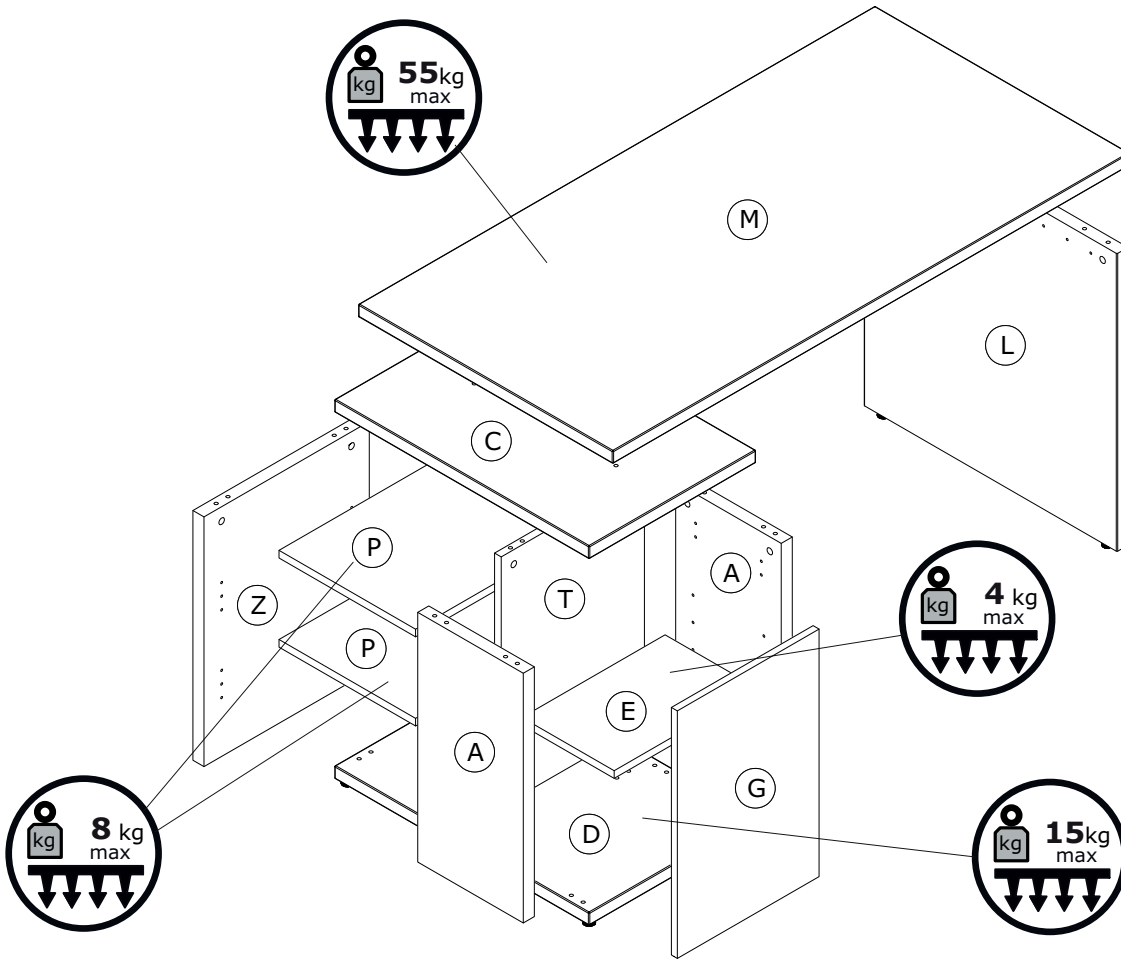


**B9**  
x2

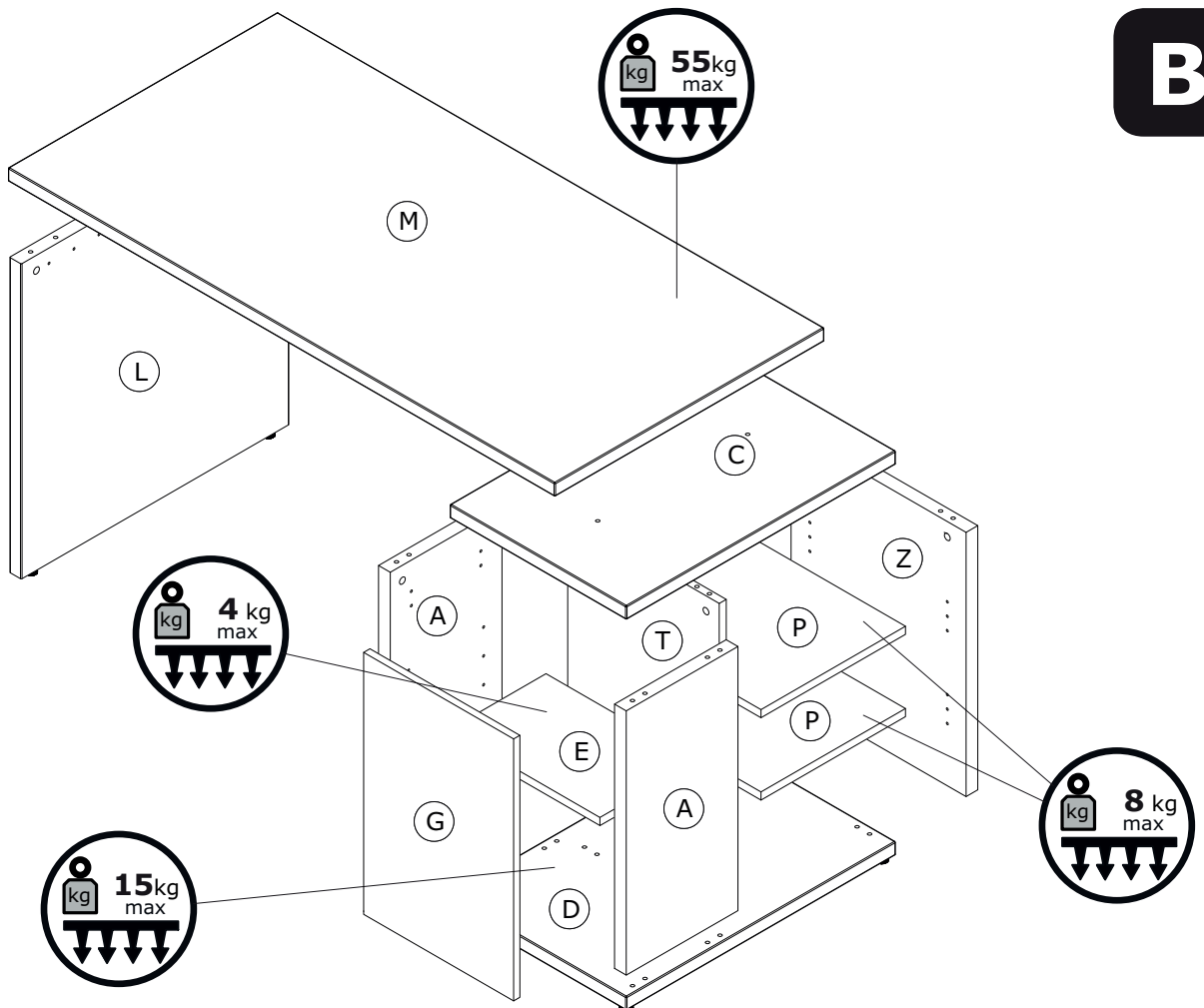


**V5**  
x4

**A**

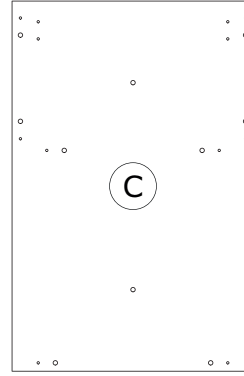


**B**

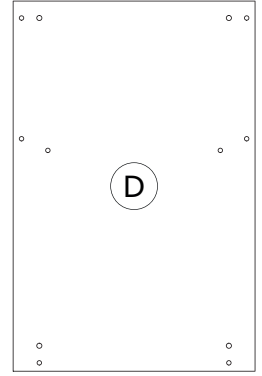




**CA3532**  
1400x687x30mm

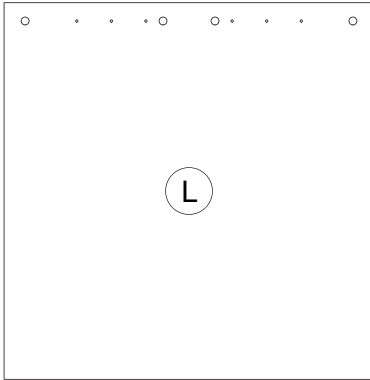


**CA3534**  
687x449x30mm

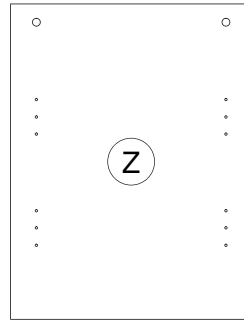


**BA2156**  
687x449x30mm

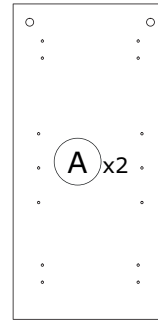
**BOX 1/2**



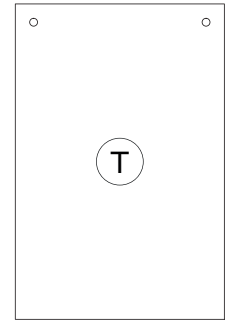
**FI8589**  
699x686x30mm



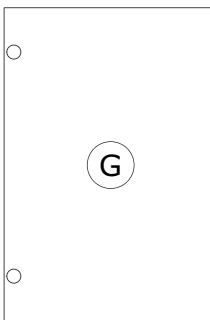
**FI8591**  
586x448x30mm



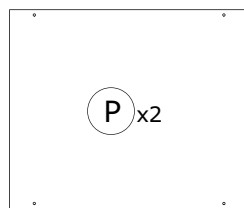
**FI8593**  
586x286x30mm



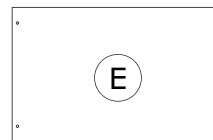
**TR2196**  
586x388x18mm



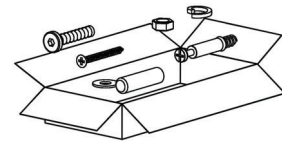
**AN2514**  
581x384x16mm



**PI7084**  
370x444x18mm

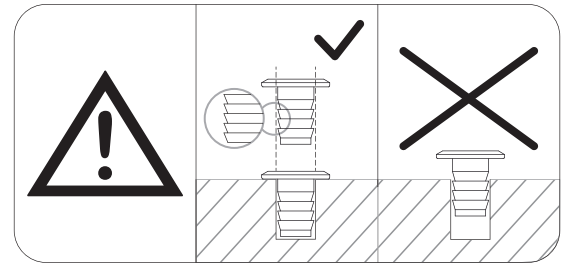
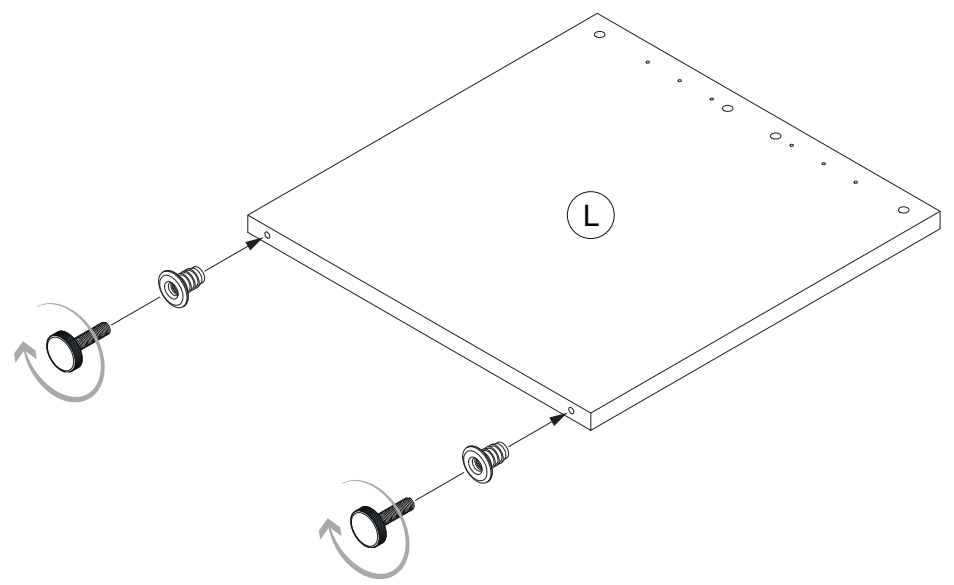
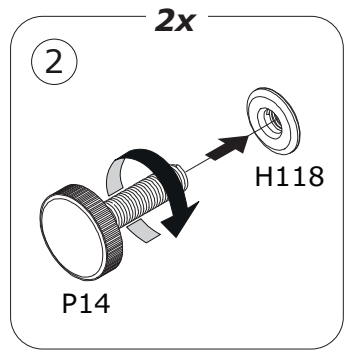
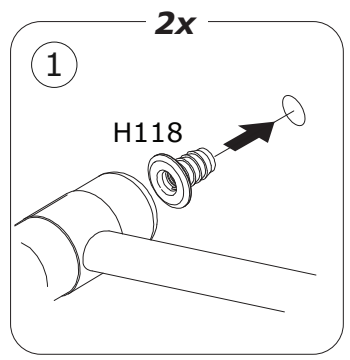
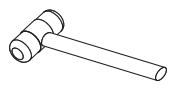


**PI7085**  
248x388x18mm

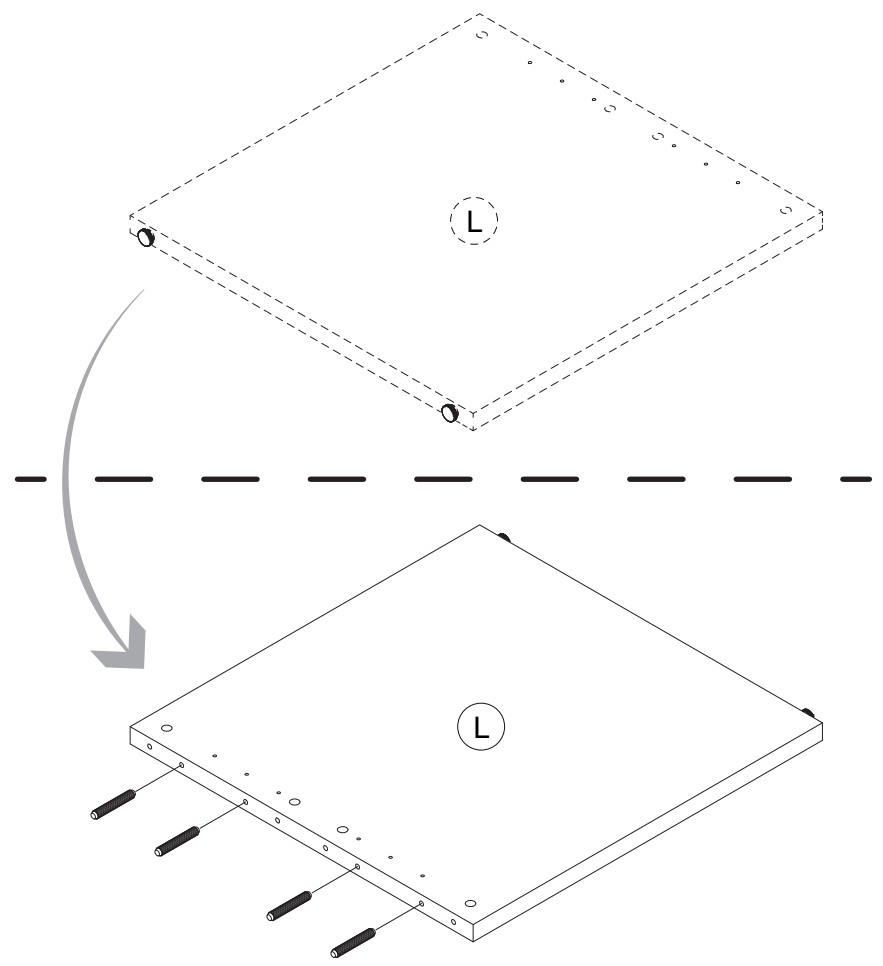
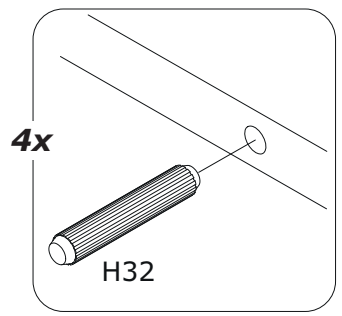
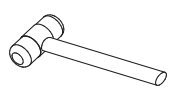


**BOX 2/2**

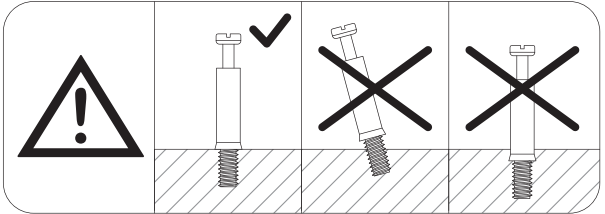
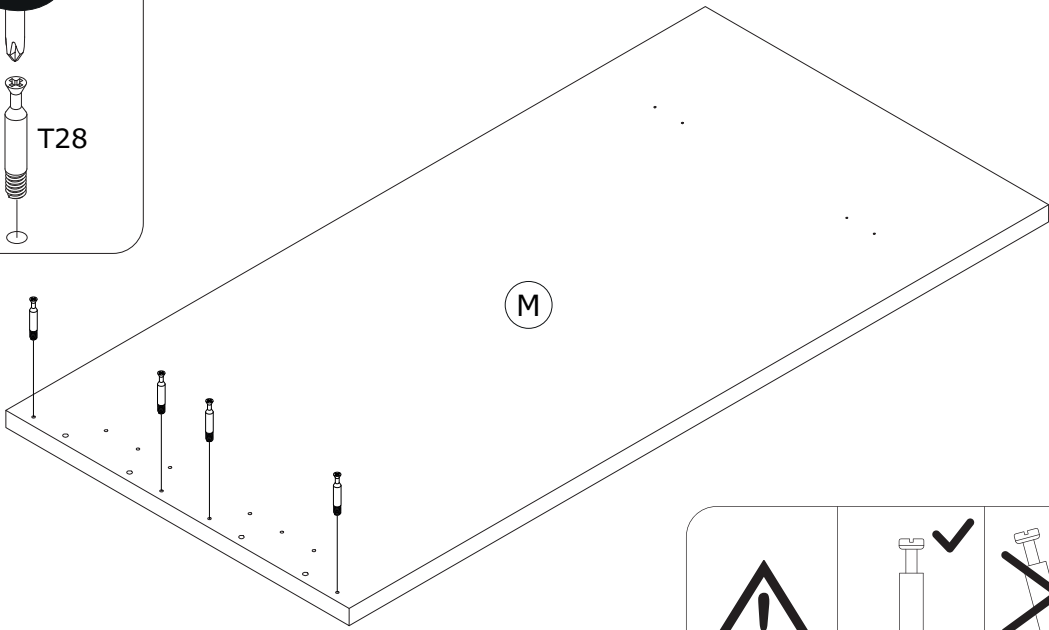
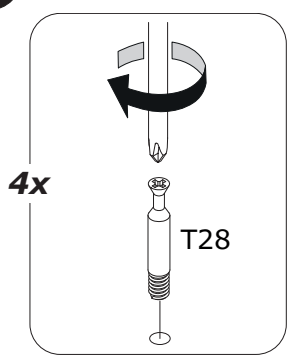
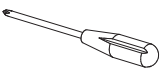
1



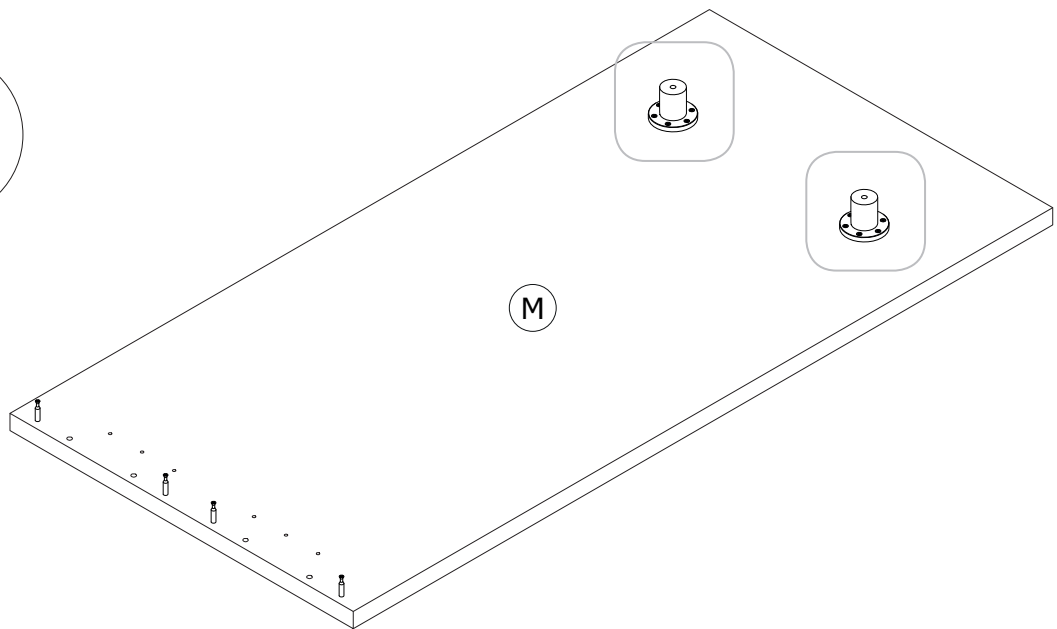
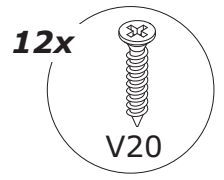
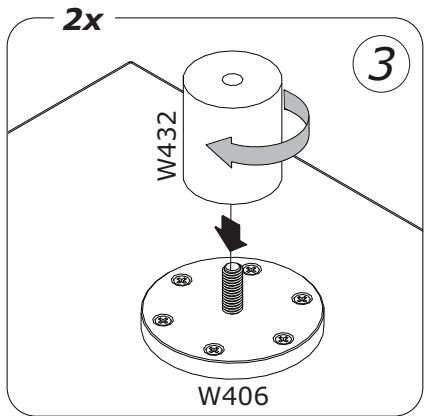
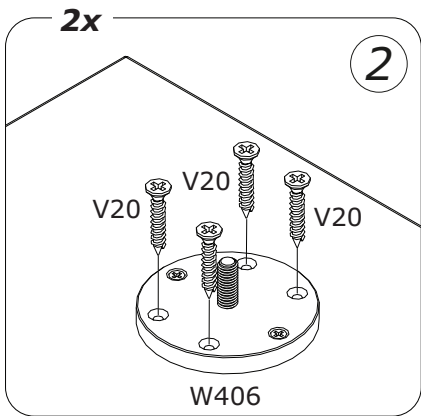
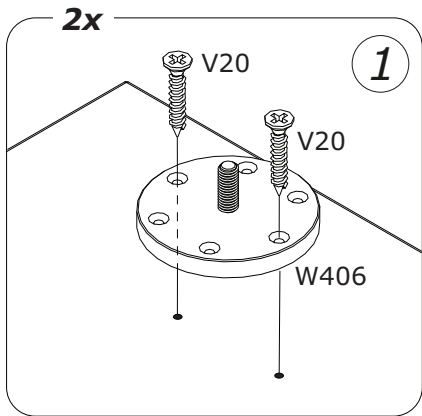
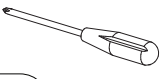
2



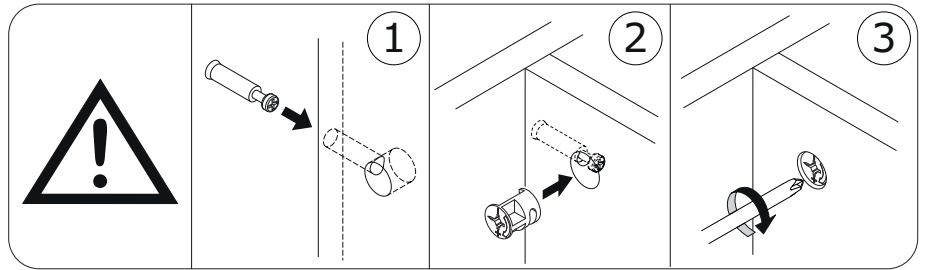
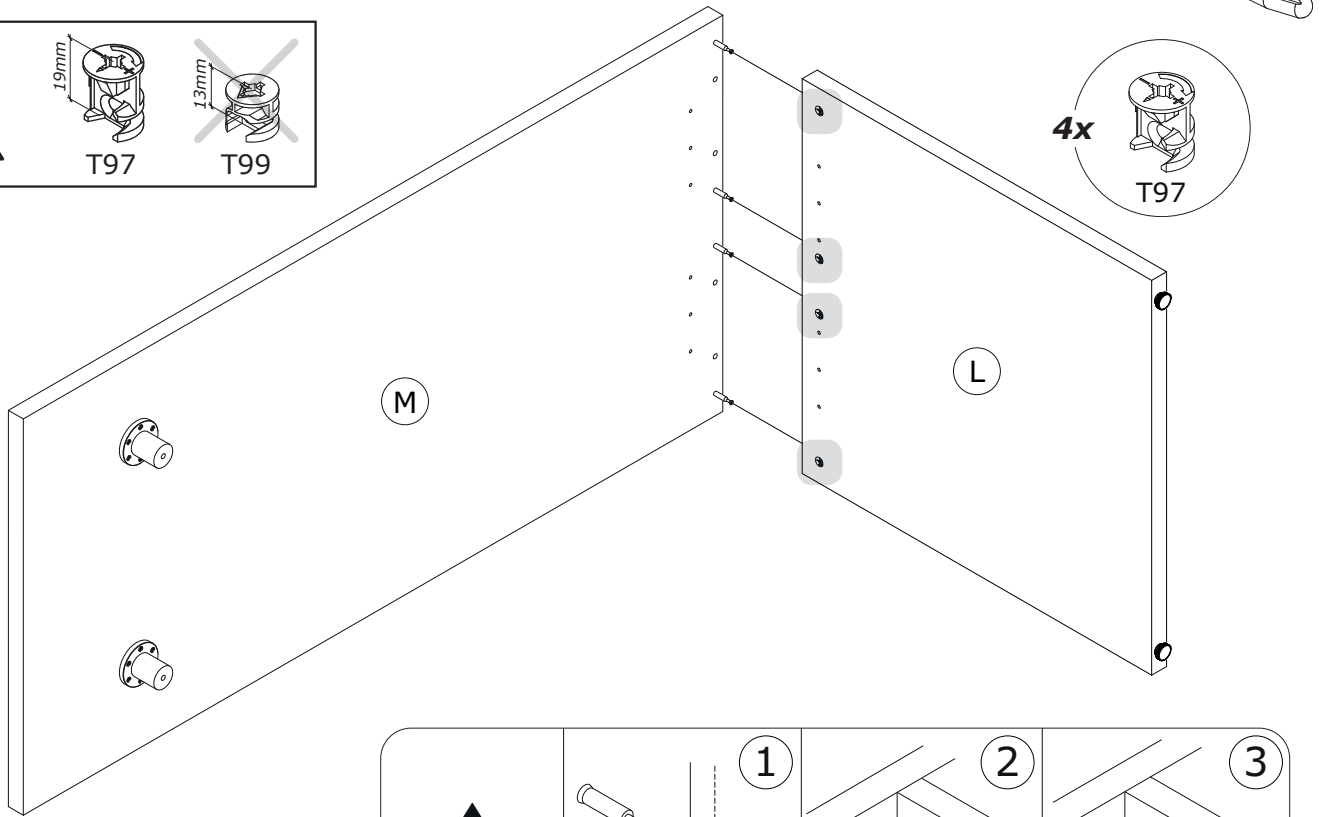
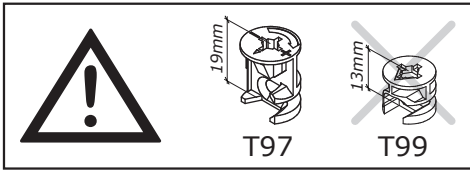
3



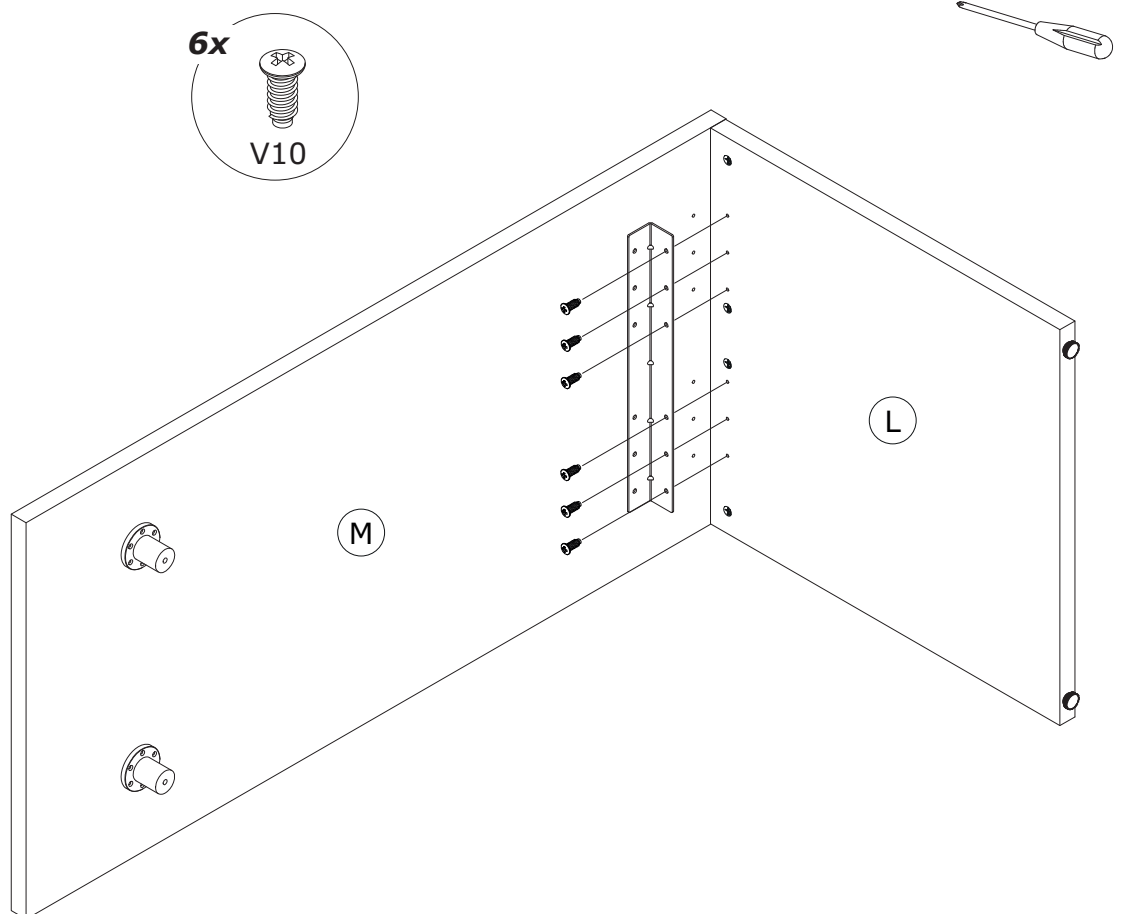
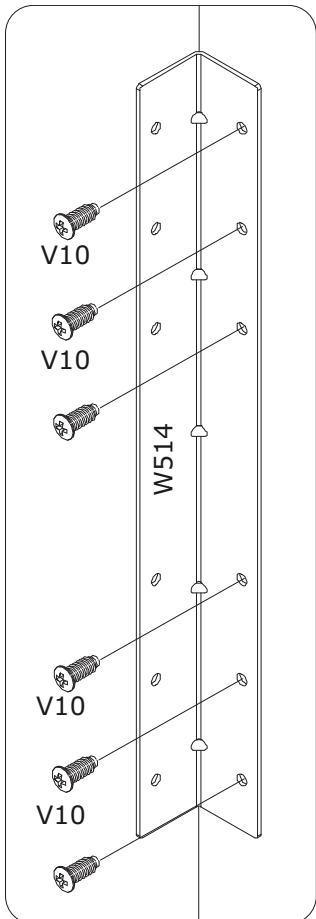
4



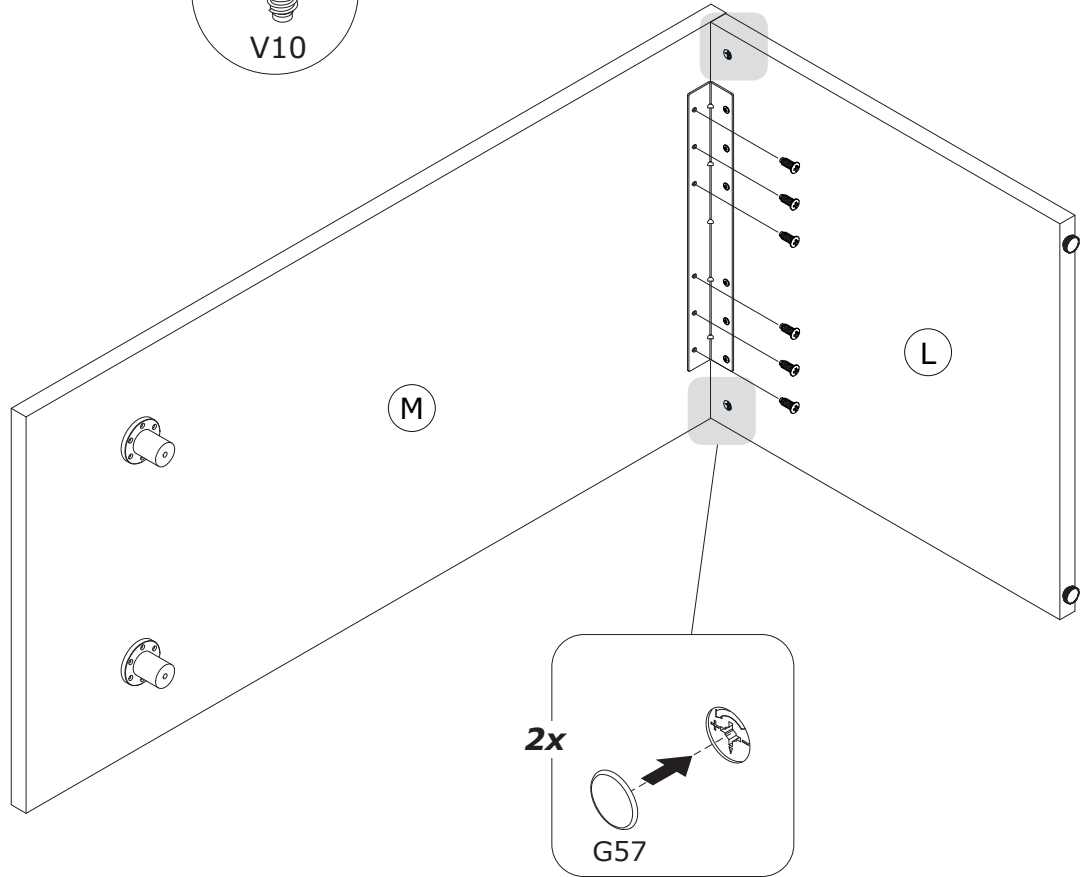
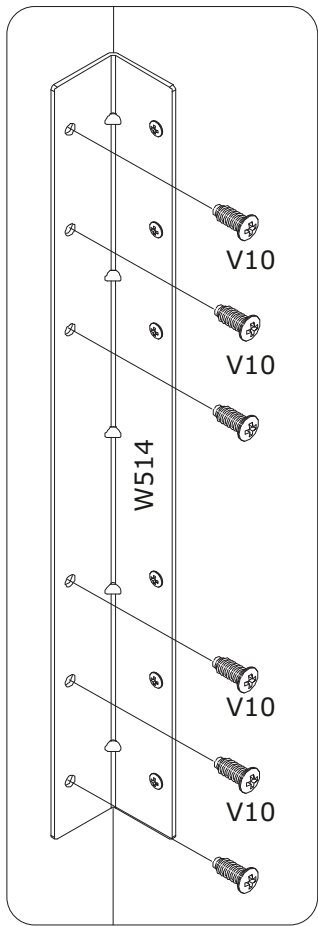
5



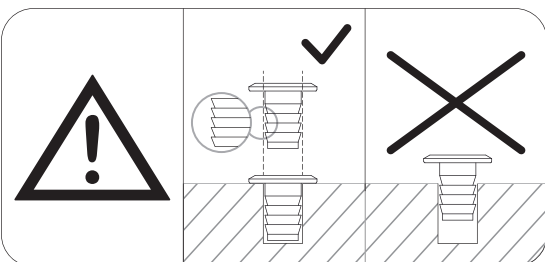
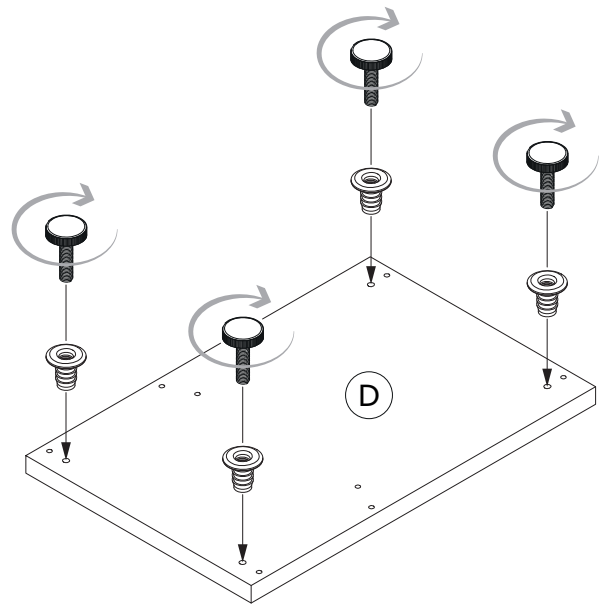
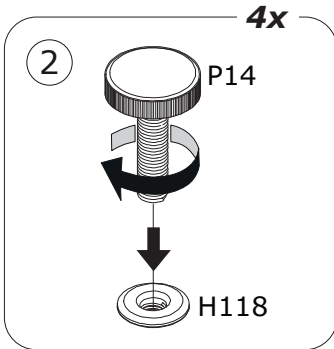
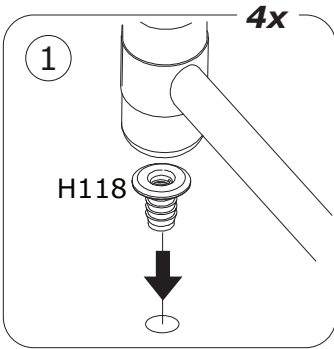
6



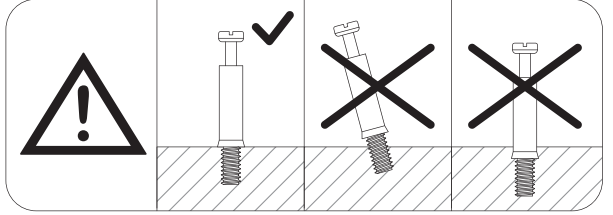
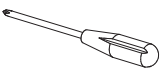
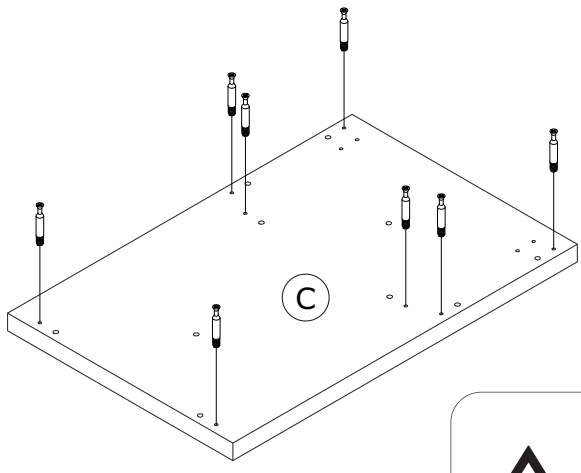
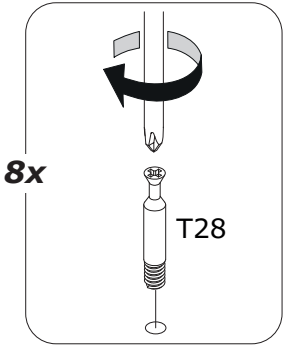
7



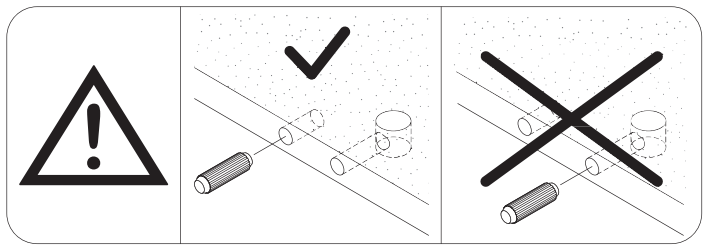
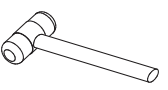
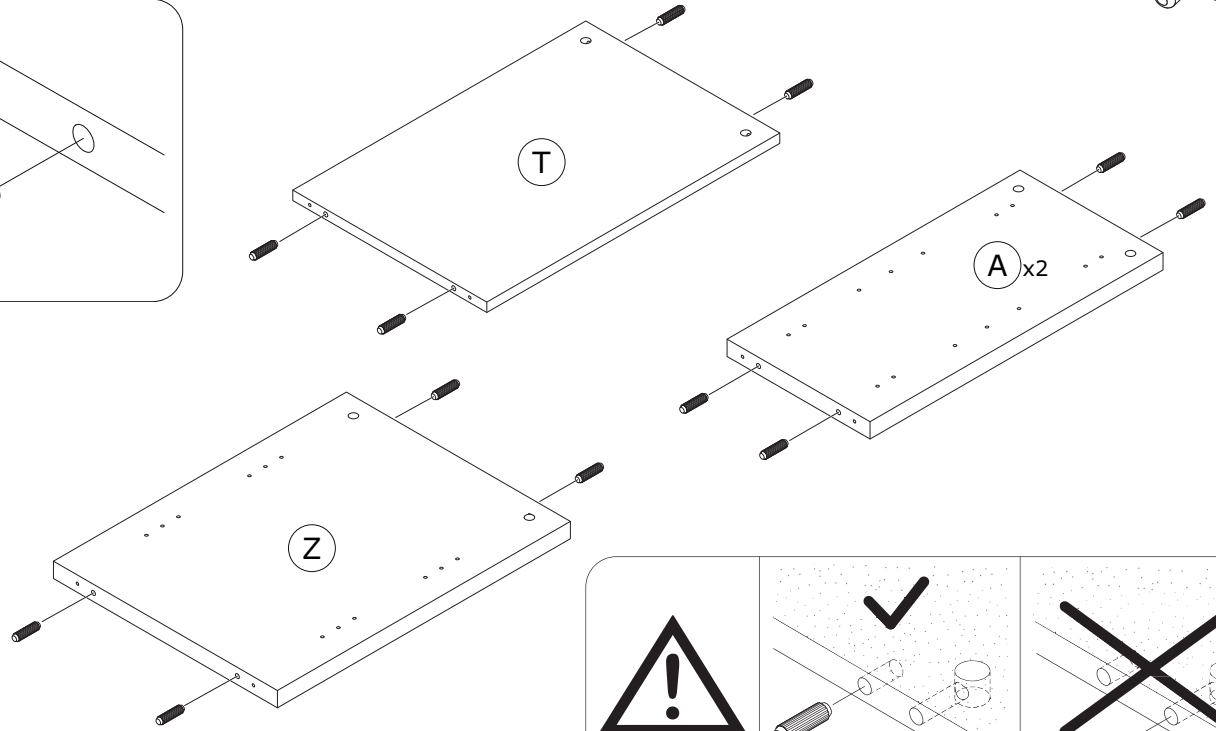
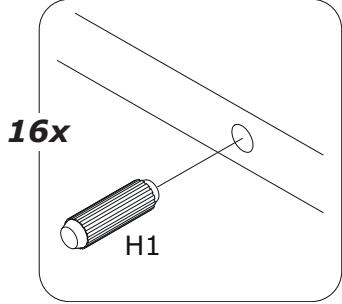
8



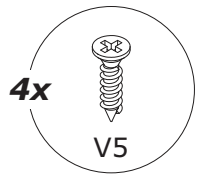
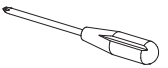
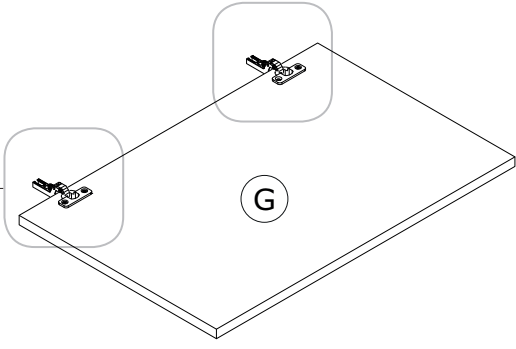
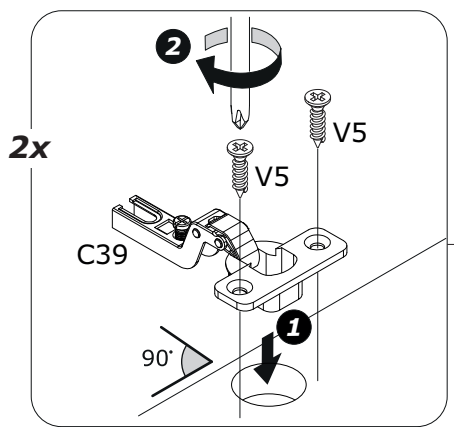
9



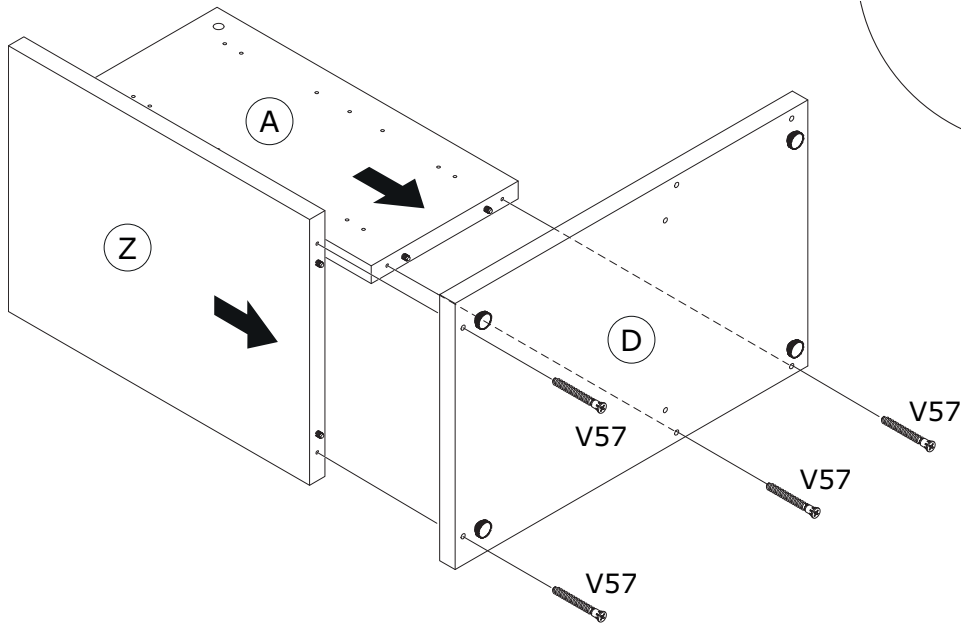
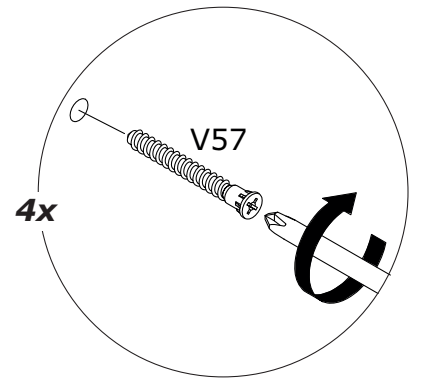
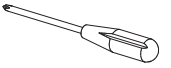
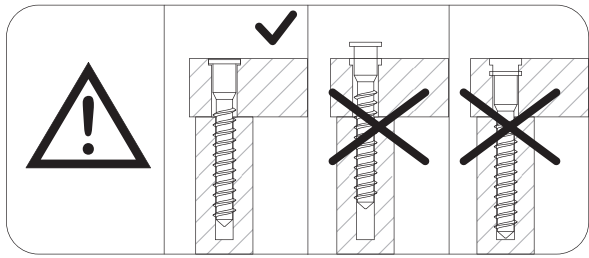
10



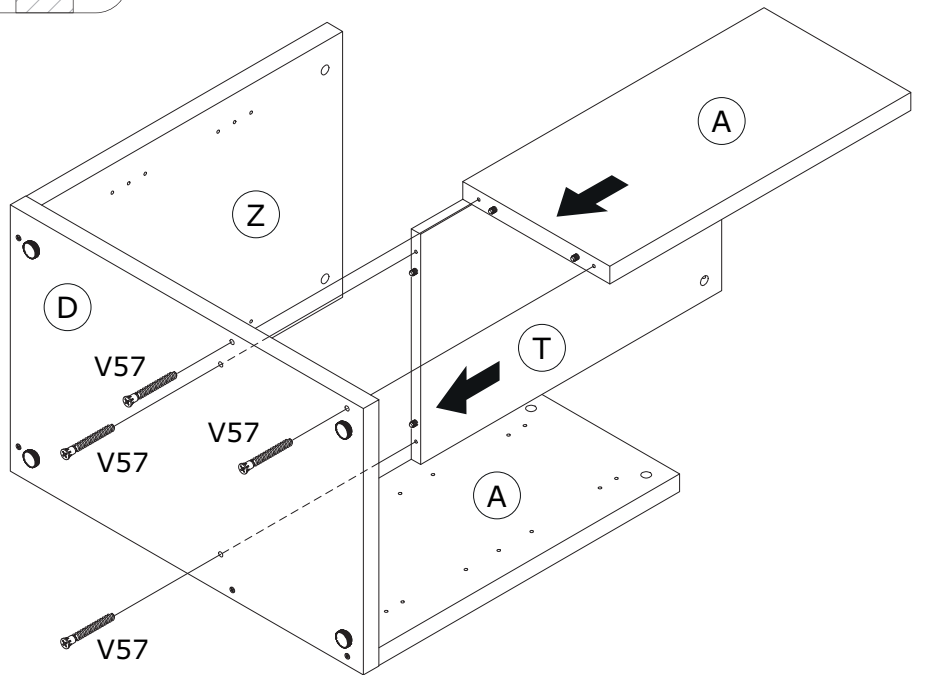
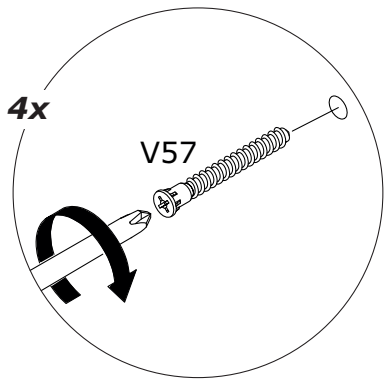
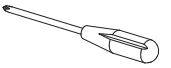
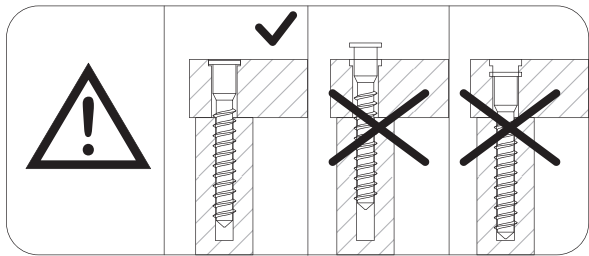
11



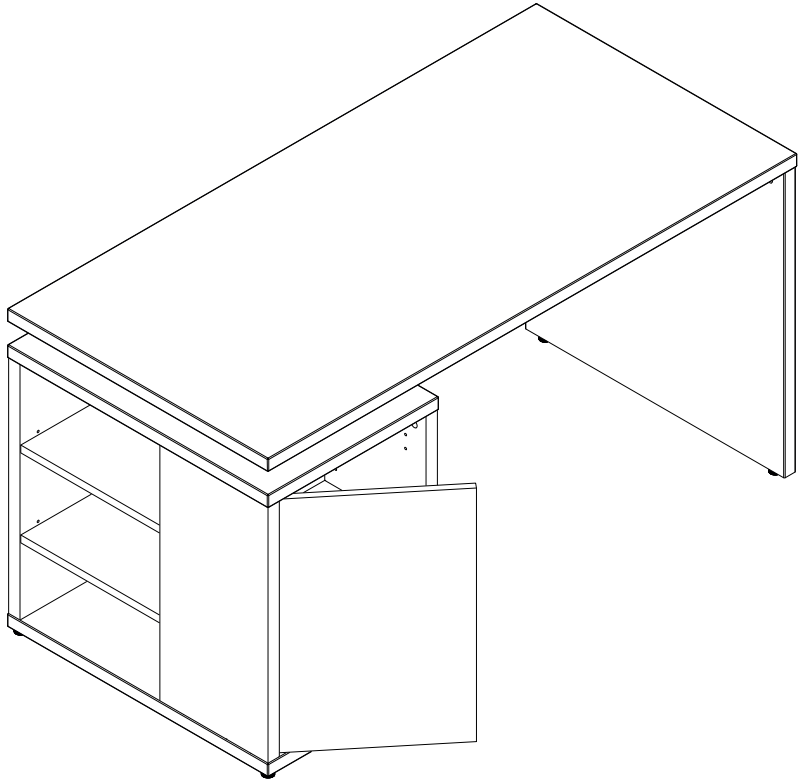
12



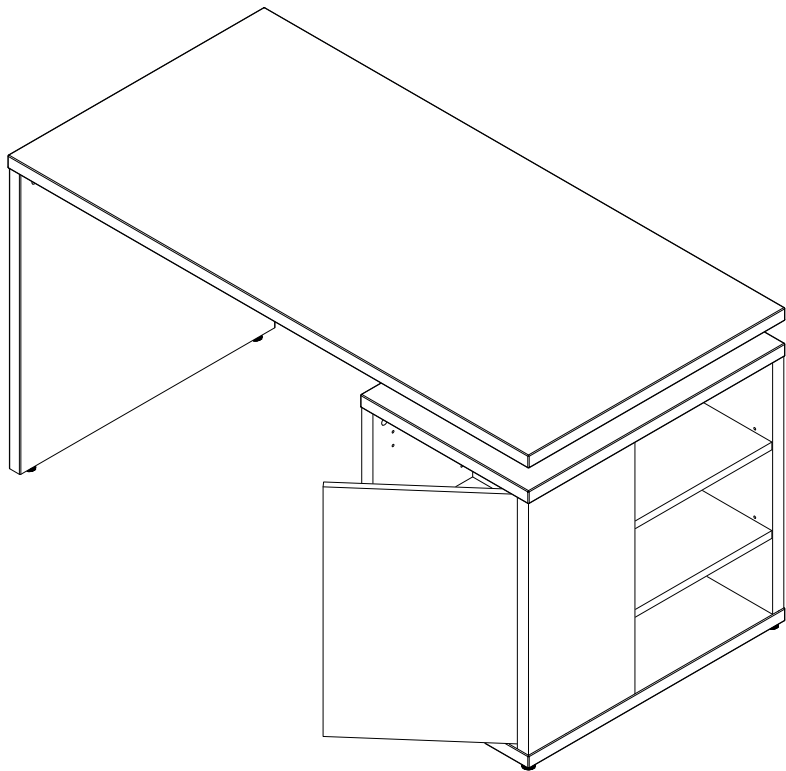
13



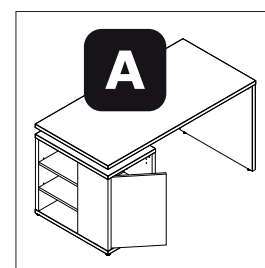
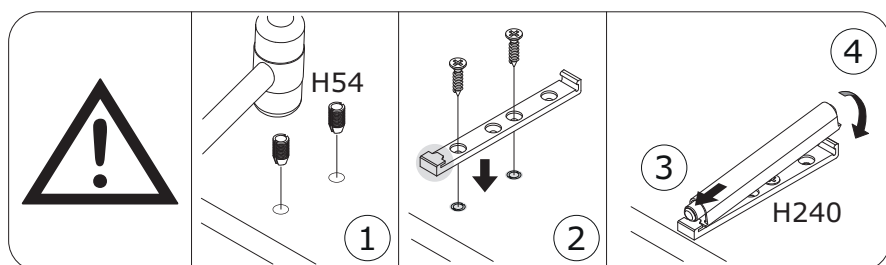
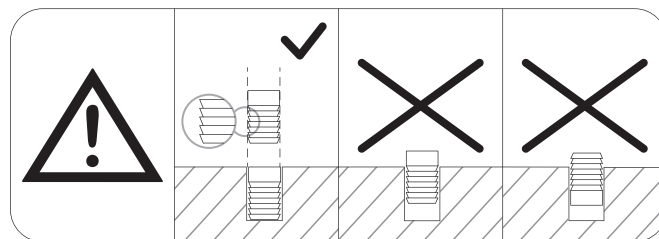
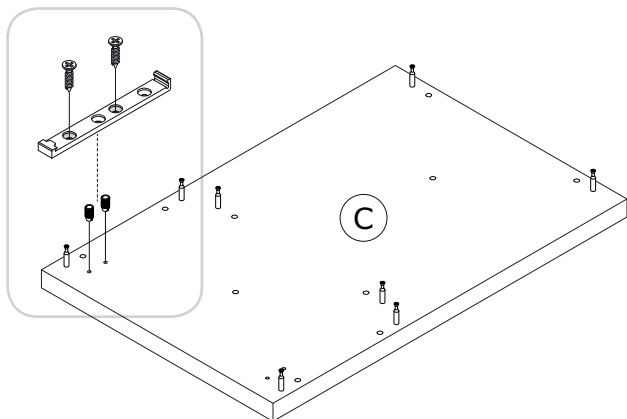
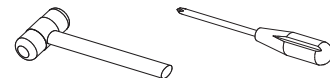
**A**



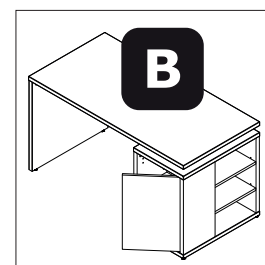
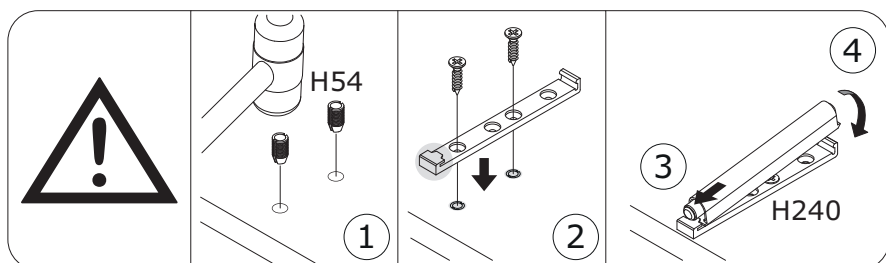
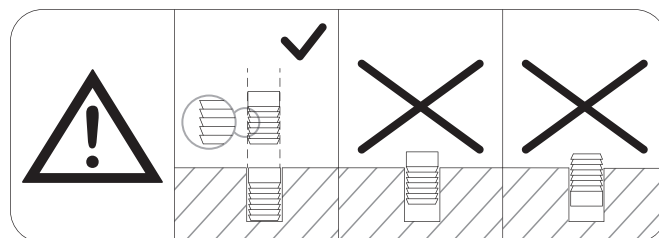
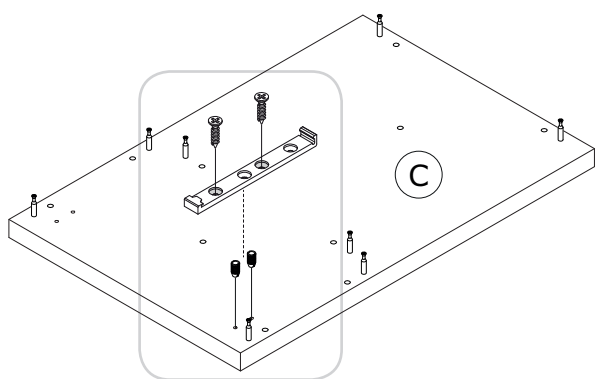
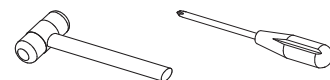
**B**



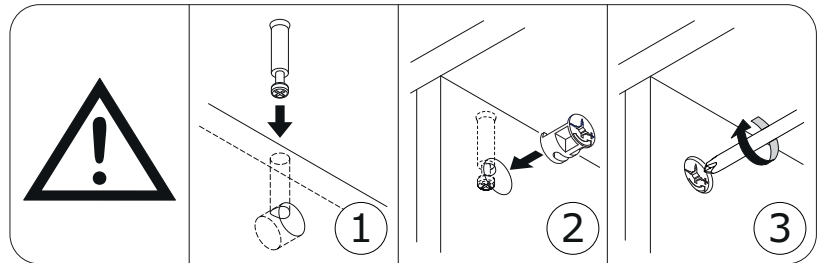
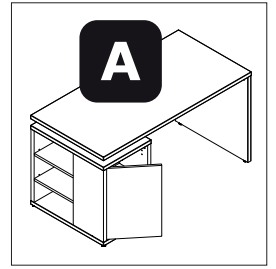
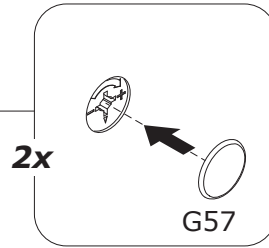
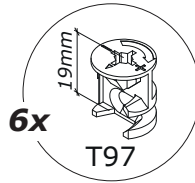
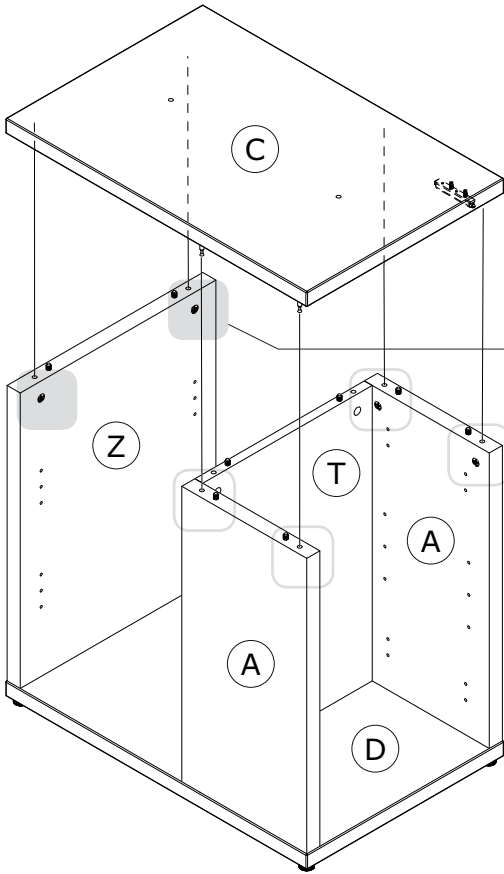
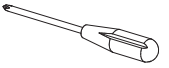
**14 A**



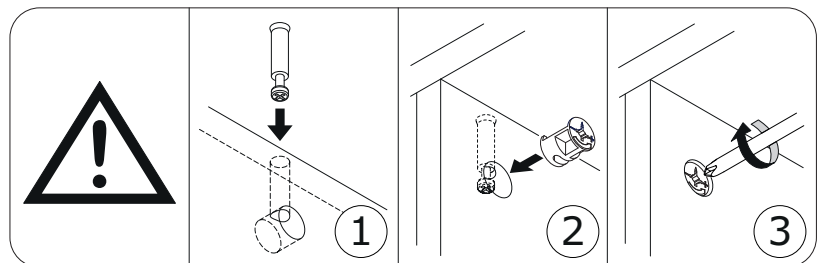
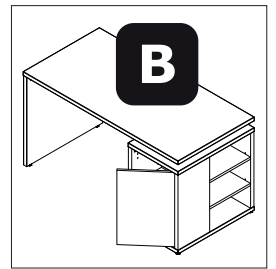
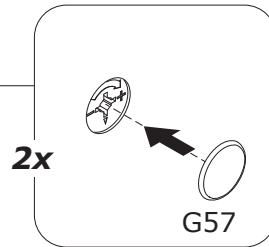
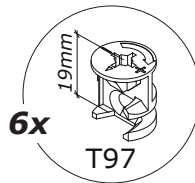
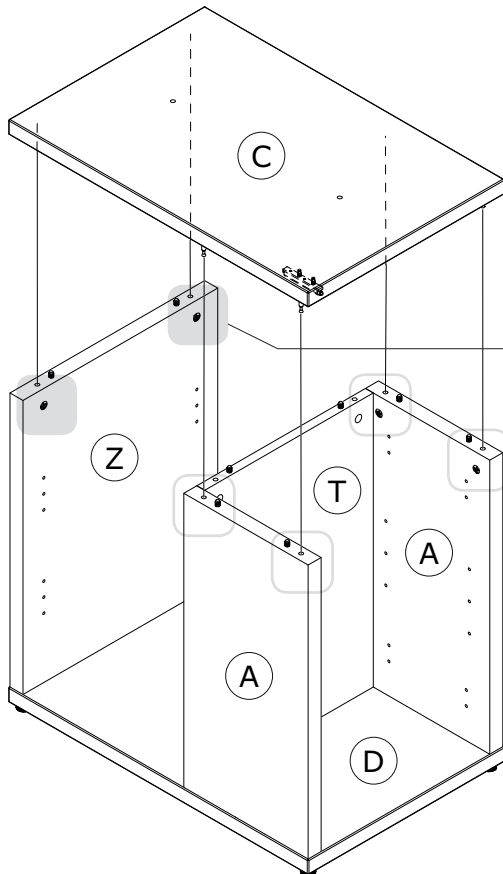
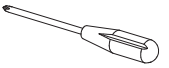
**14 B**



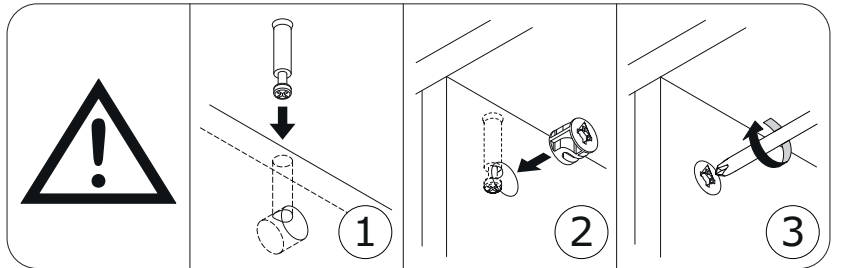
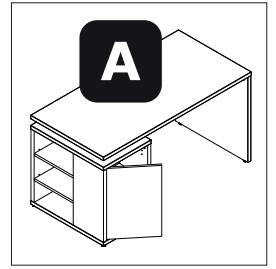
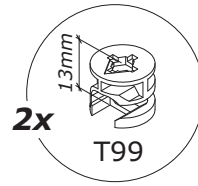
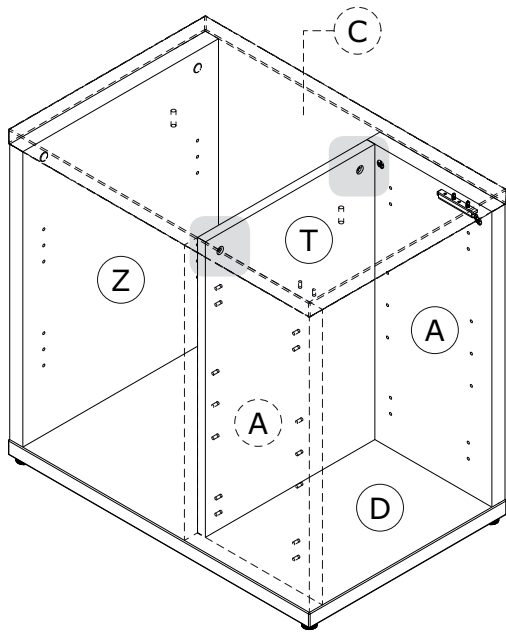
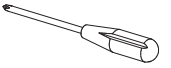
**15 A**



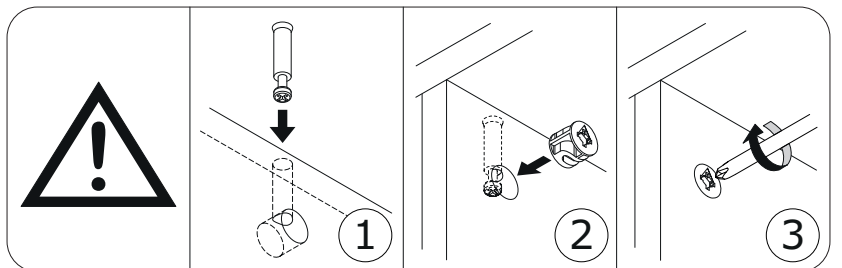
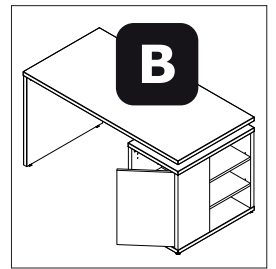
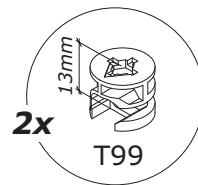
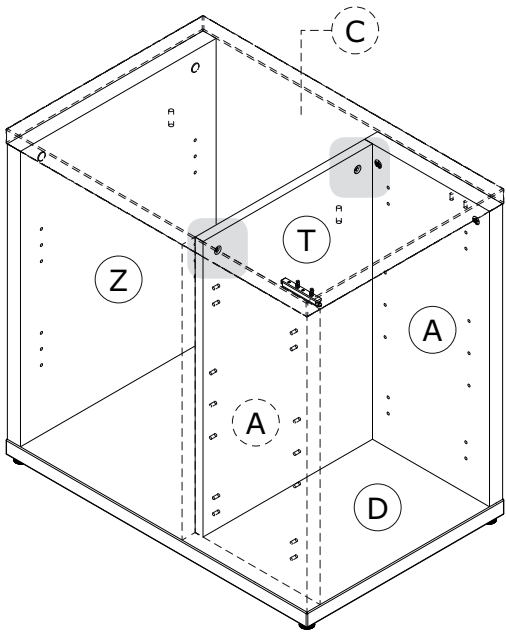
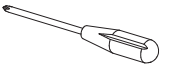
**15 B**



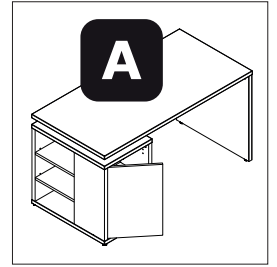
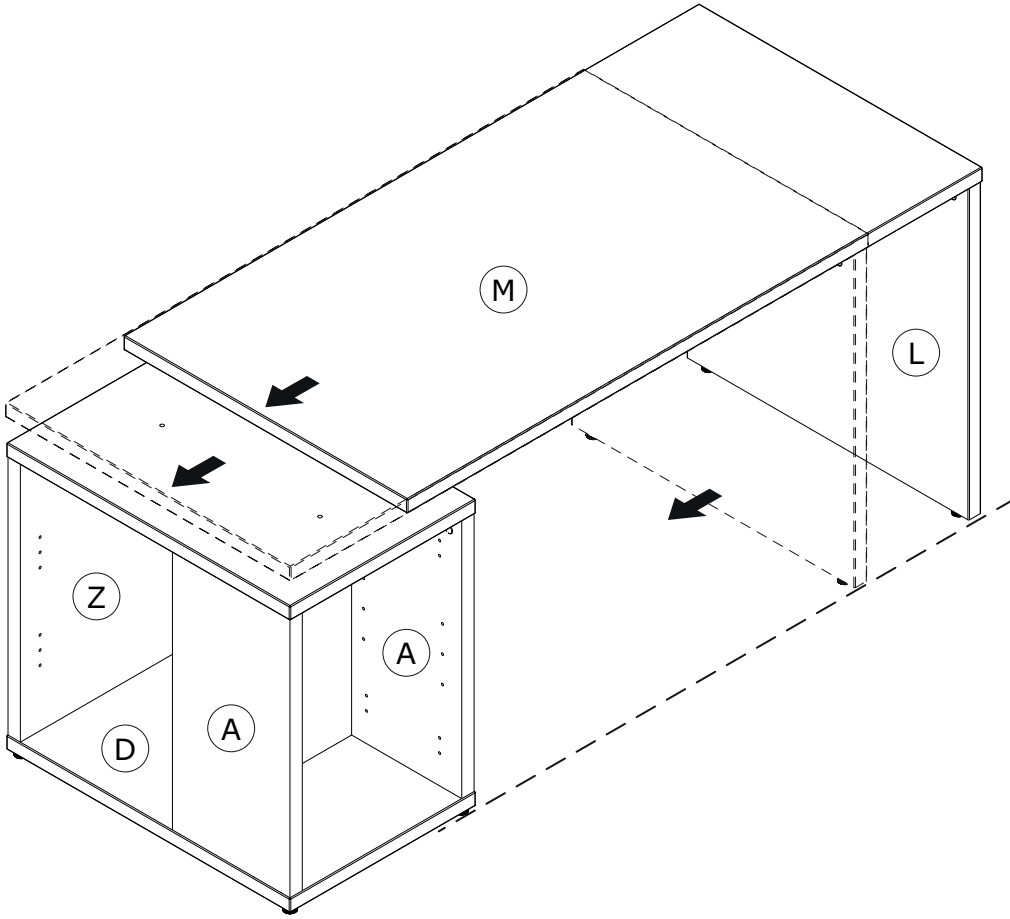
**16 A**



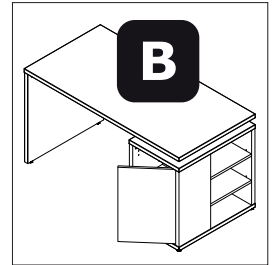
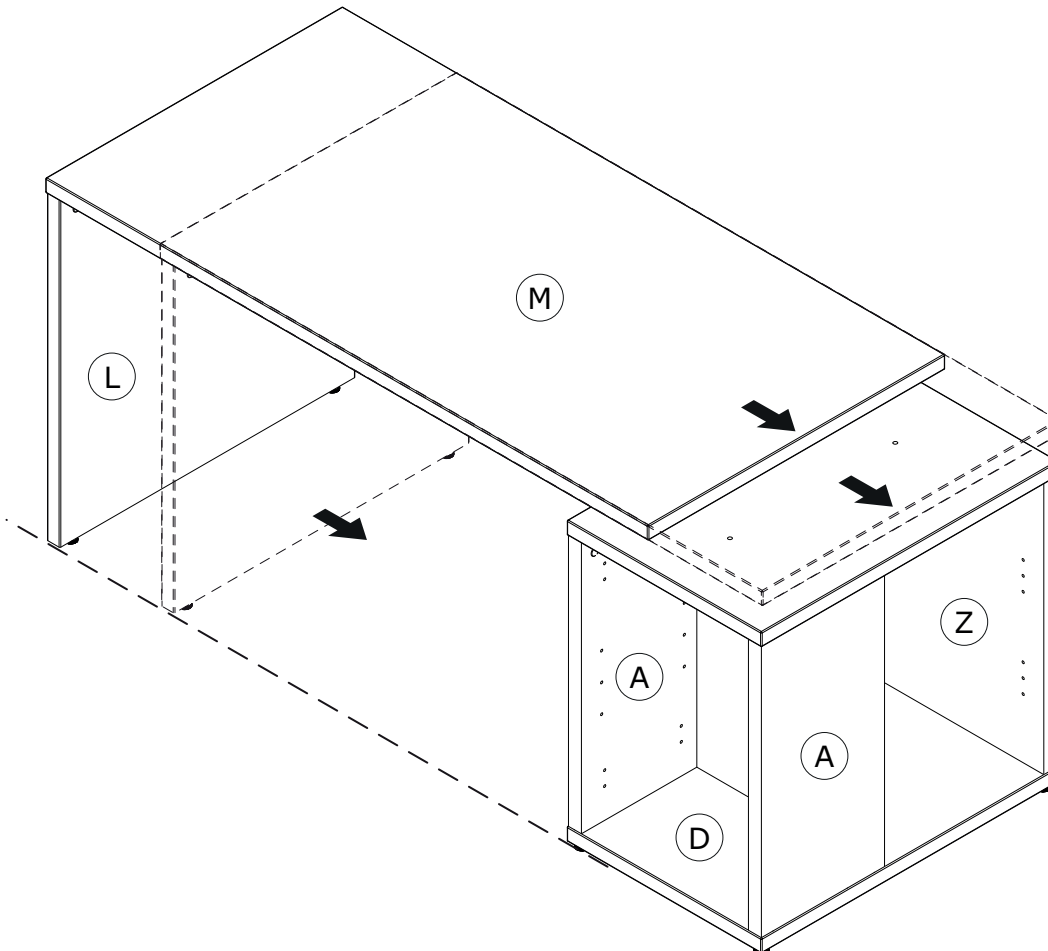
**16 B**



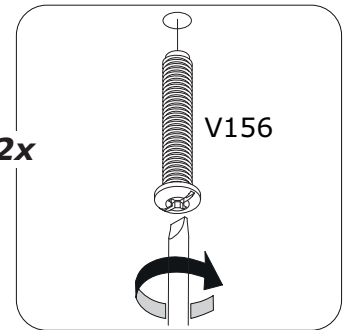
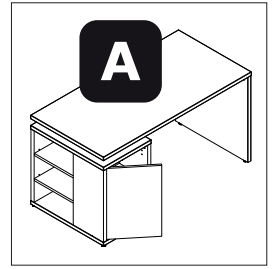
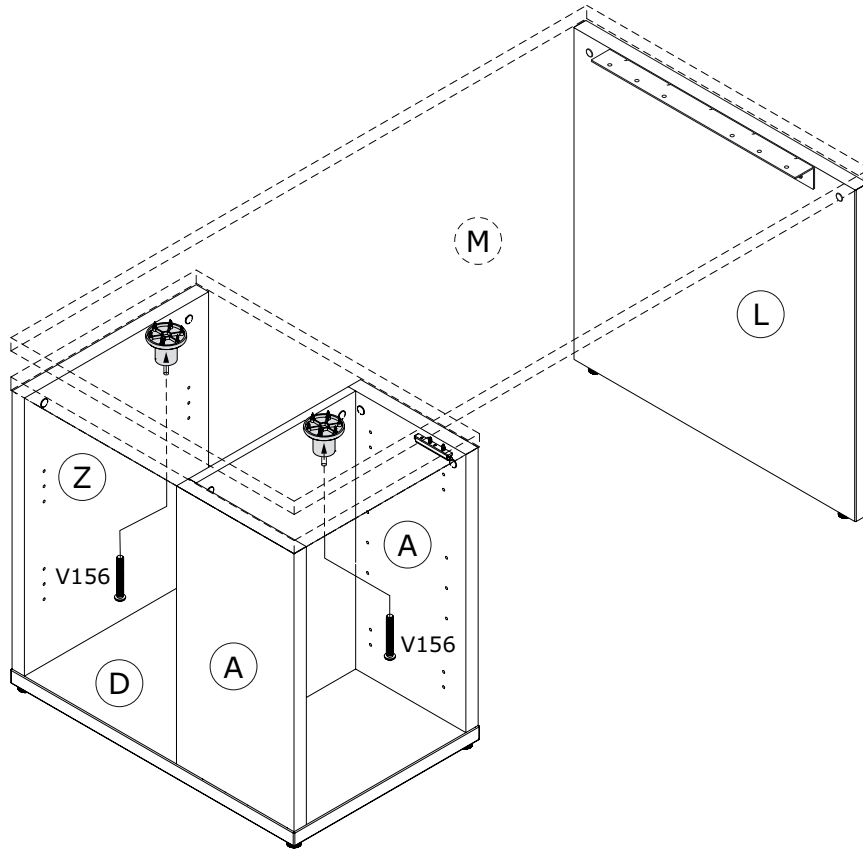
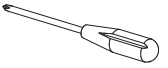
17 A



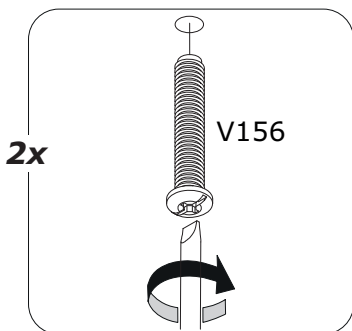
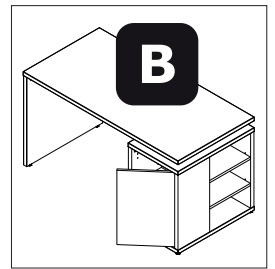
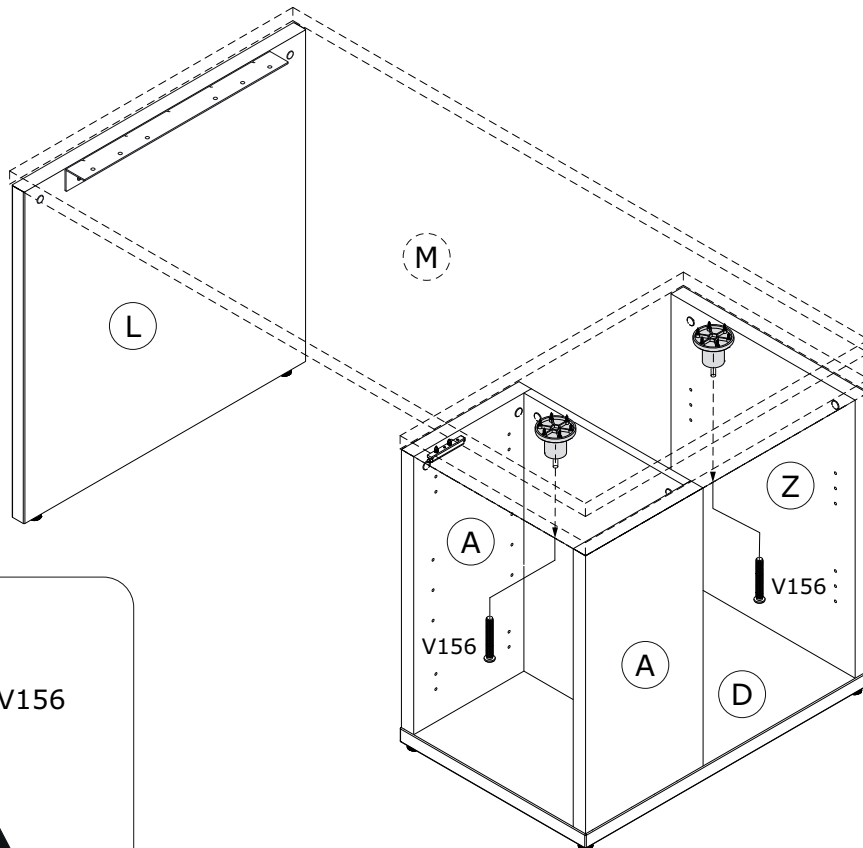
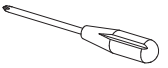
17 B



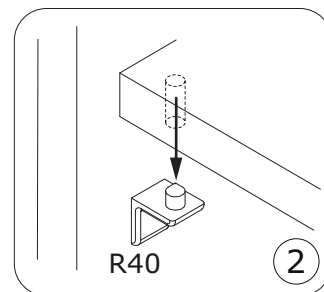
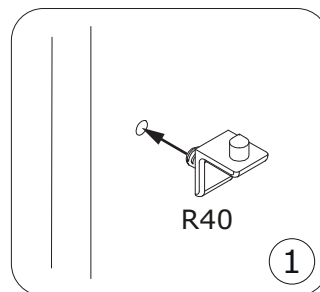
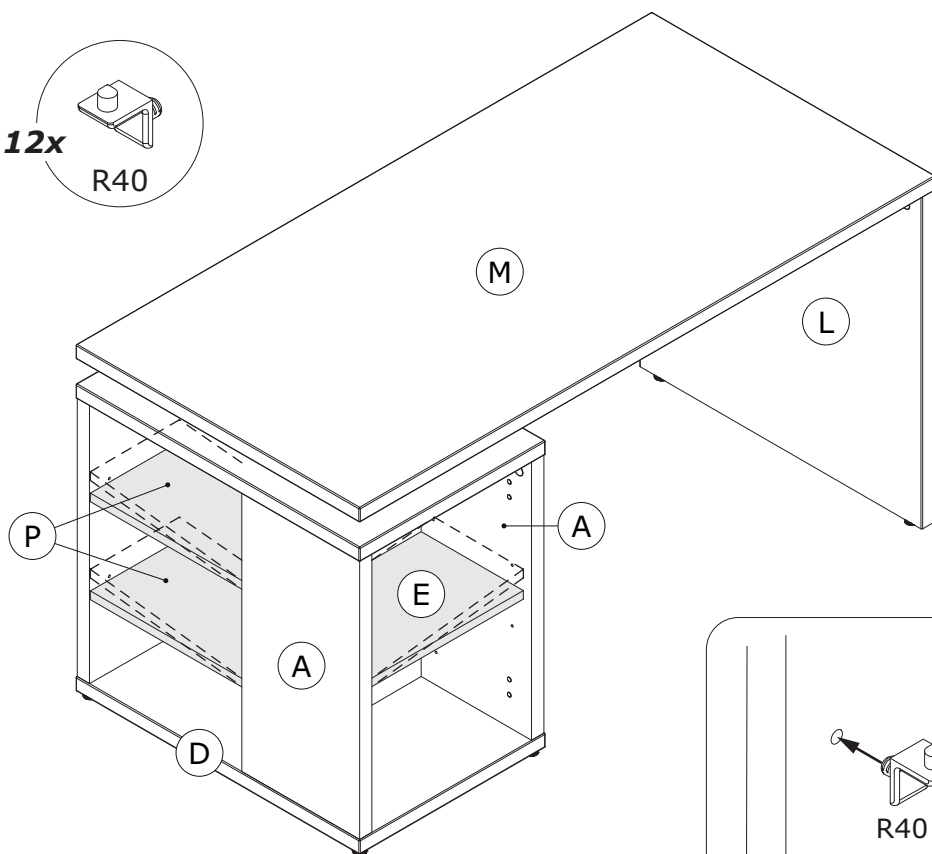
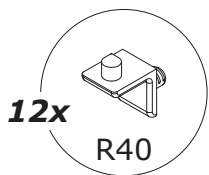
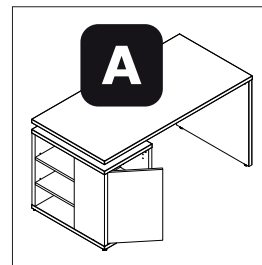
**18 A**



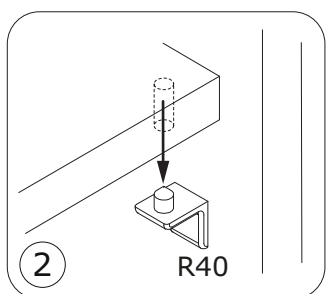
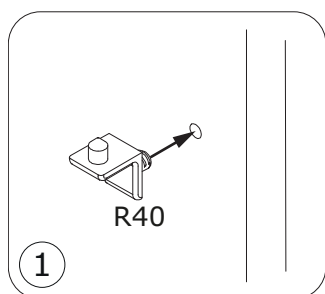
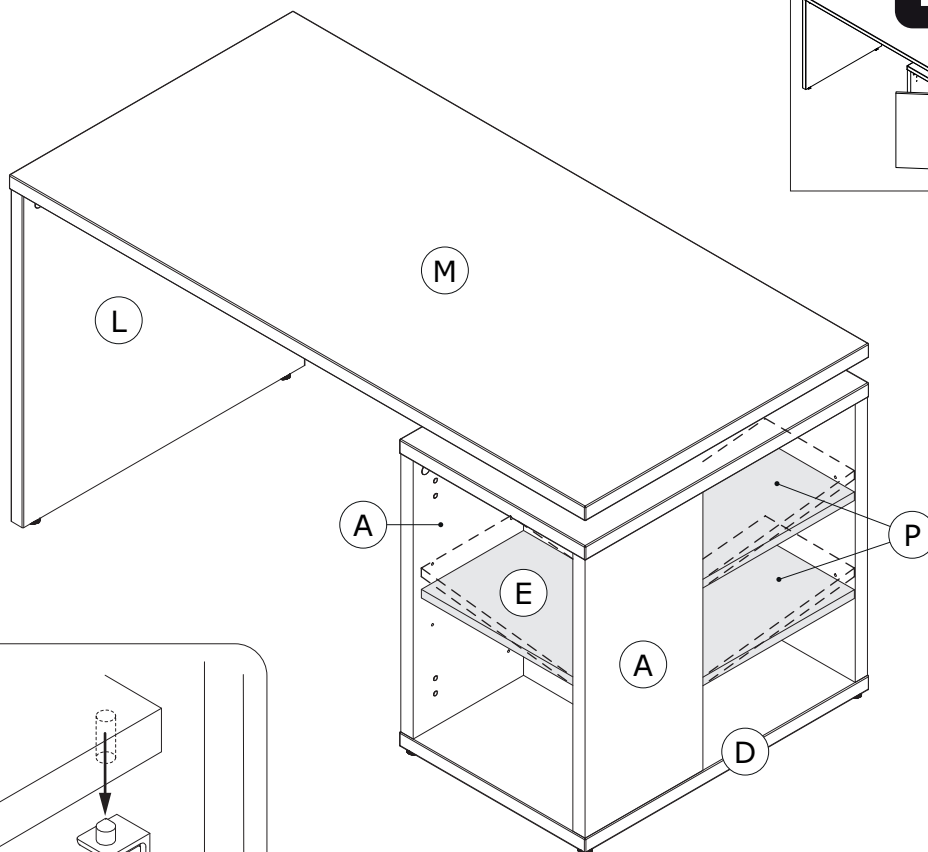
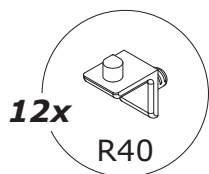
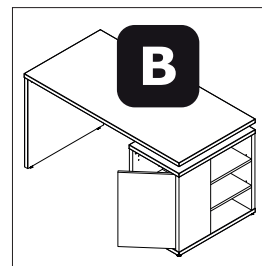
**18 B**



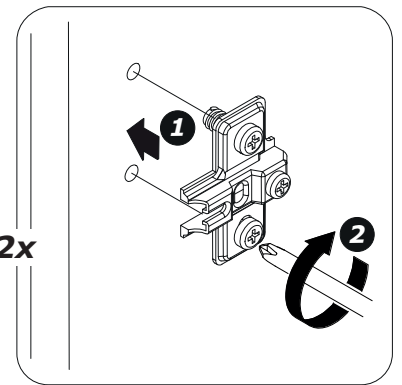
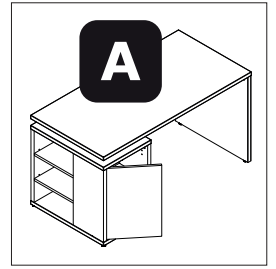
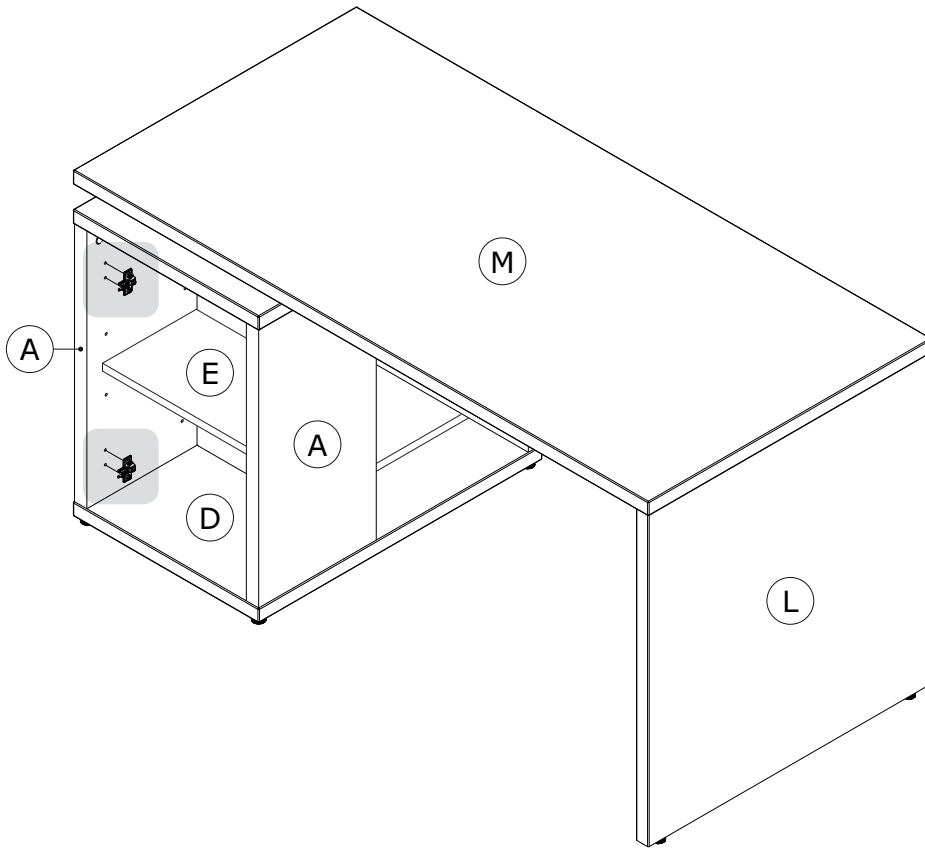
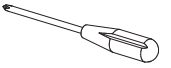
**19 A**



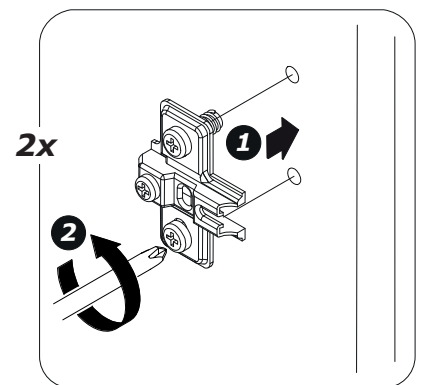
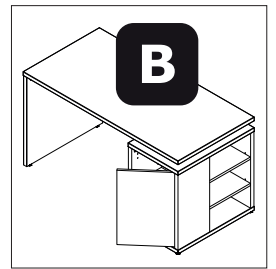
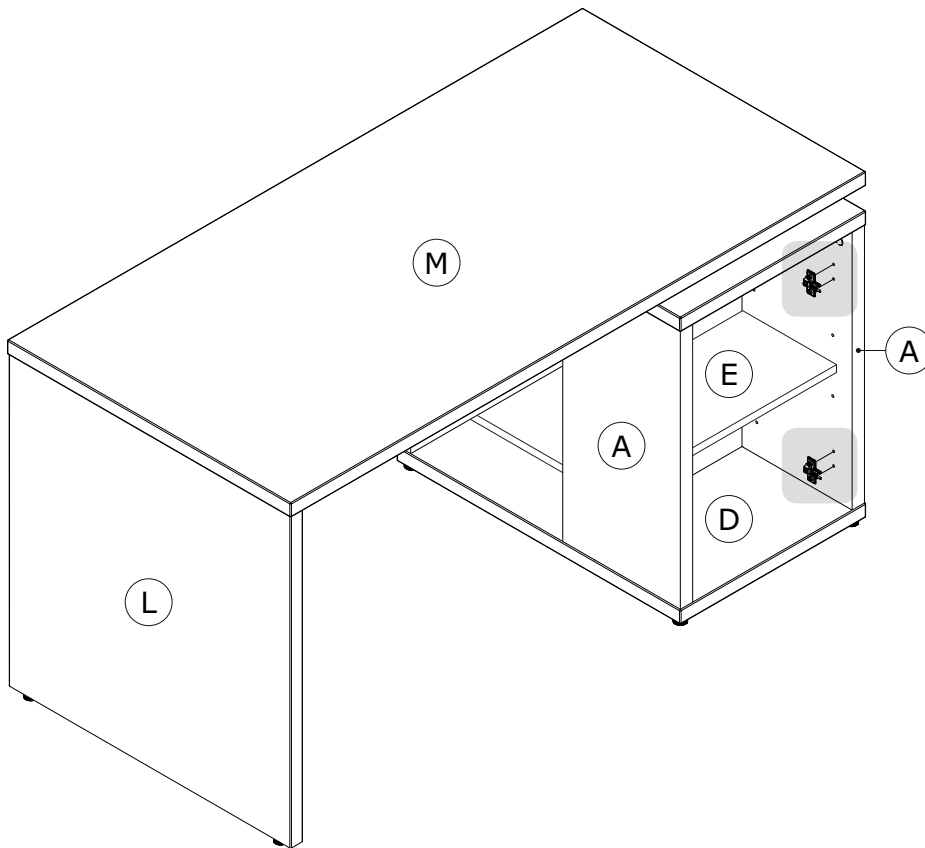
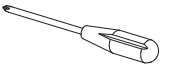
**19 B**



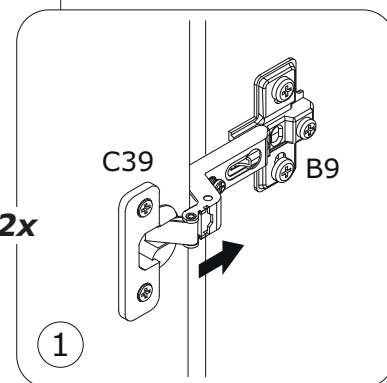
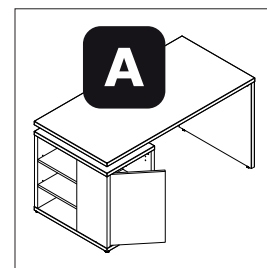
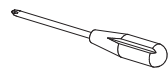
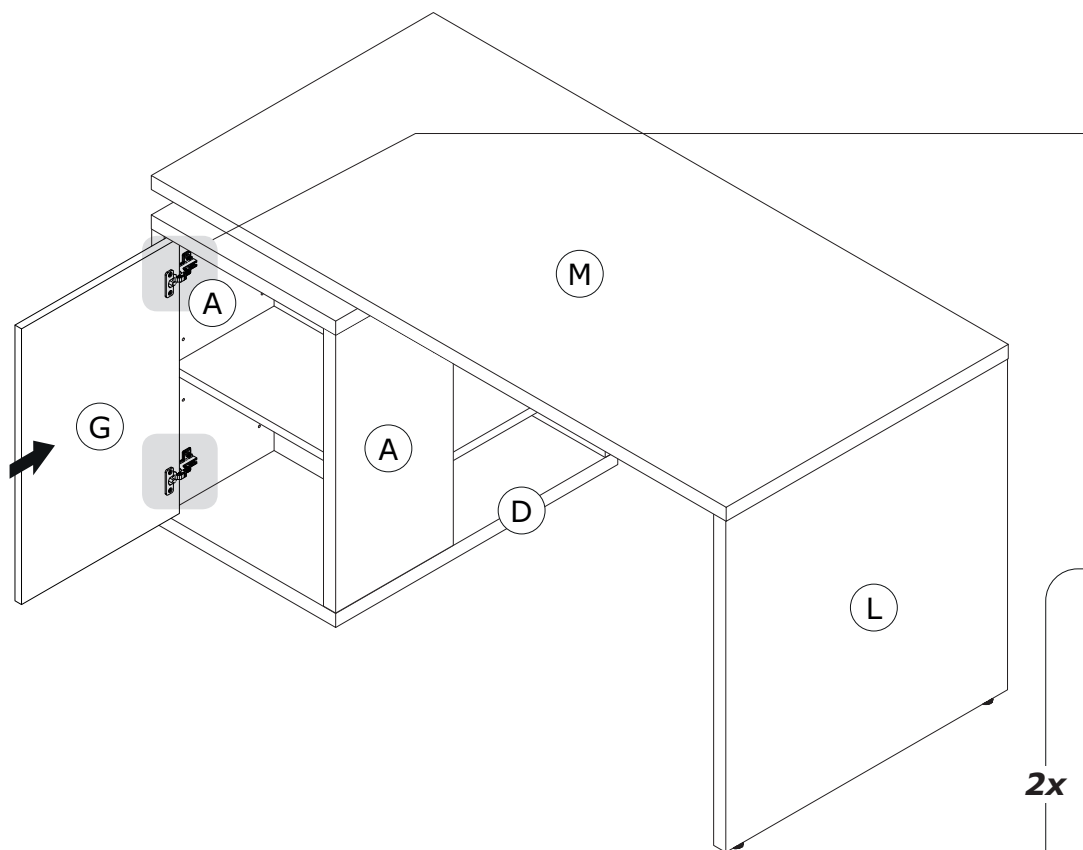
**20 A**



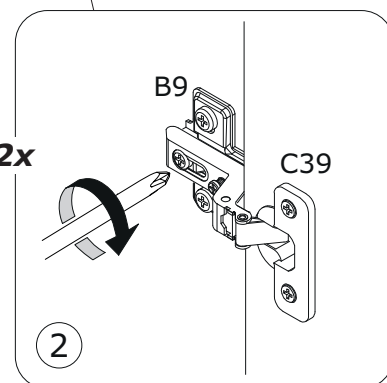
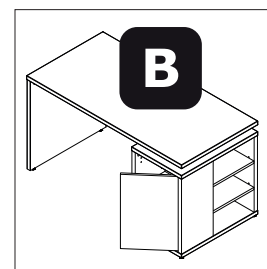
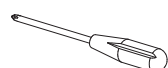
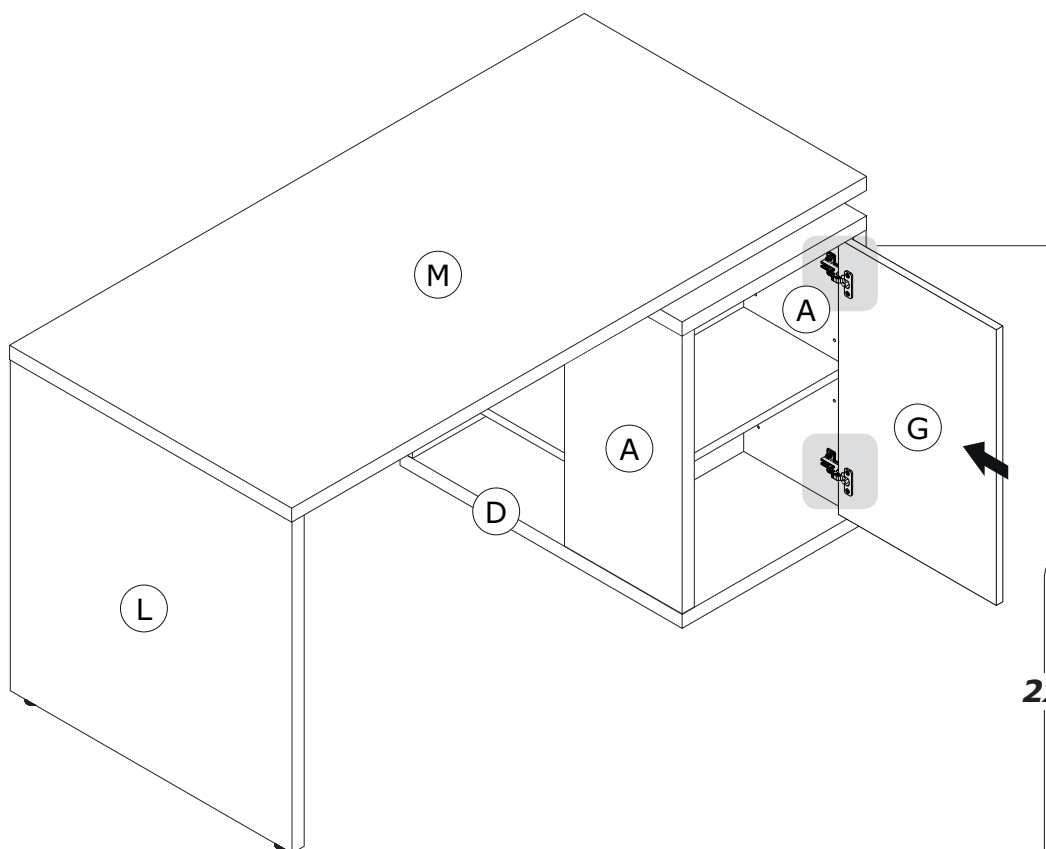
**20 B**



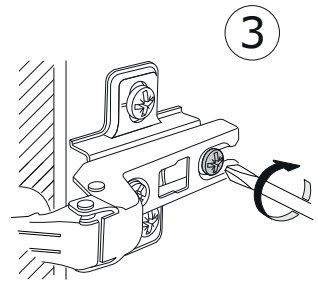
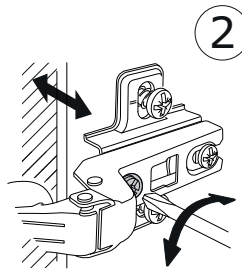
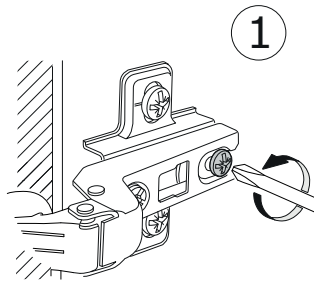
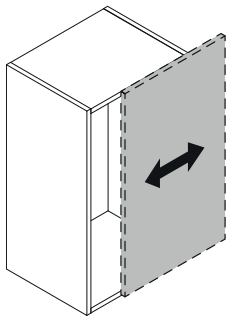
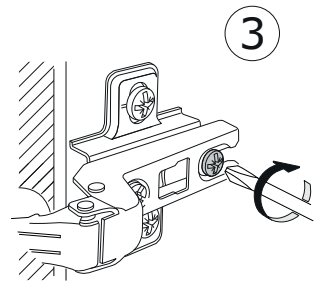
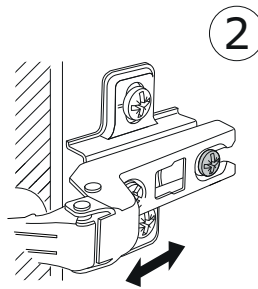
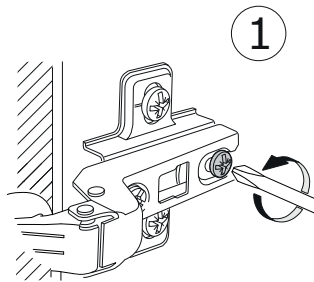
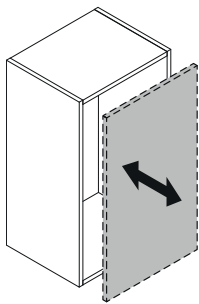
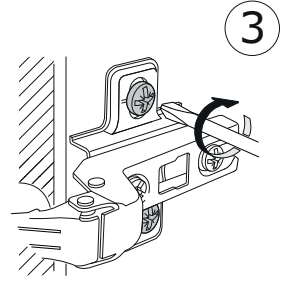
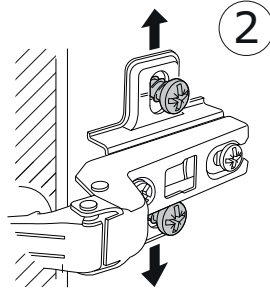
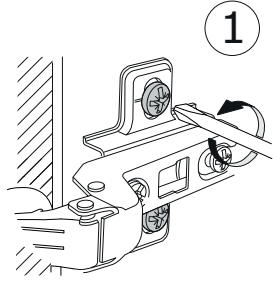
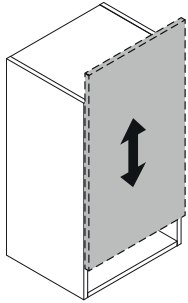
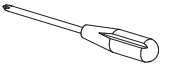
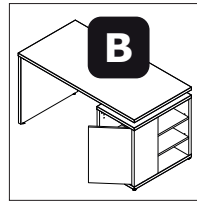
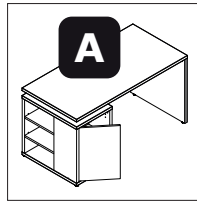
**21 A**



**21 B**



**22** A+B



**23** A+B

