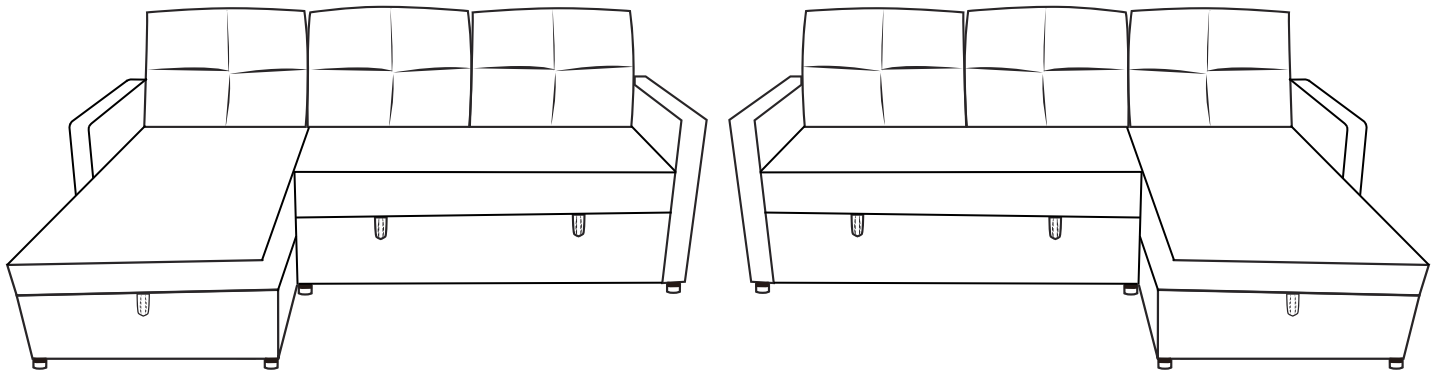

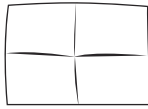
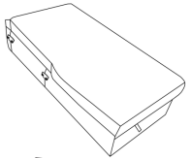

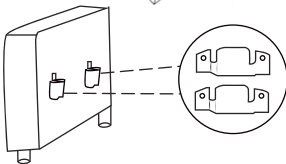
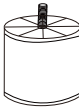
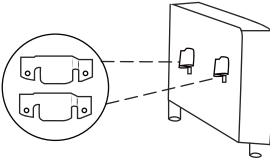
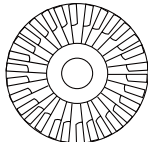



# ASSEMBLY INSTRUCTIONS

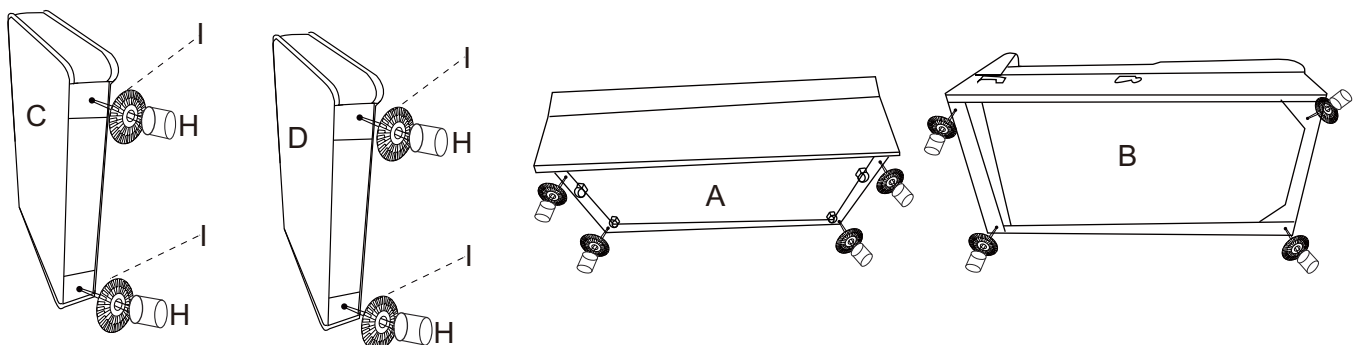
## Pull Out Reversible Sleep Sectional



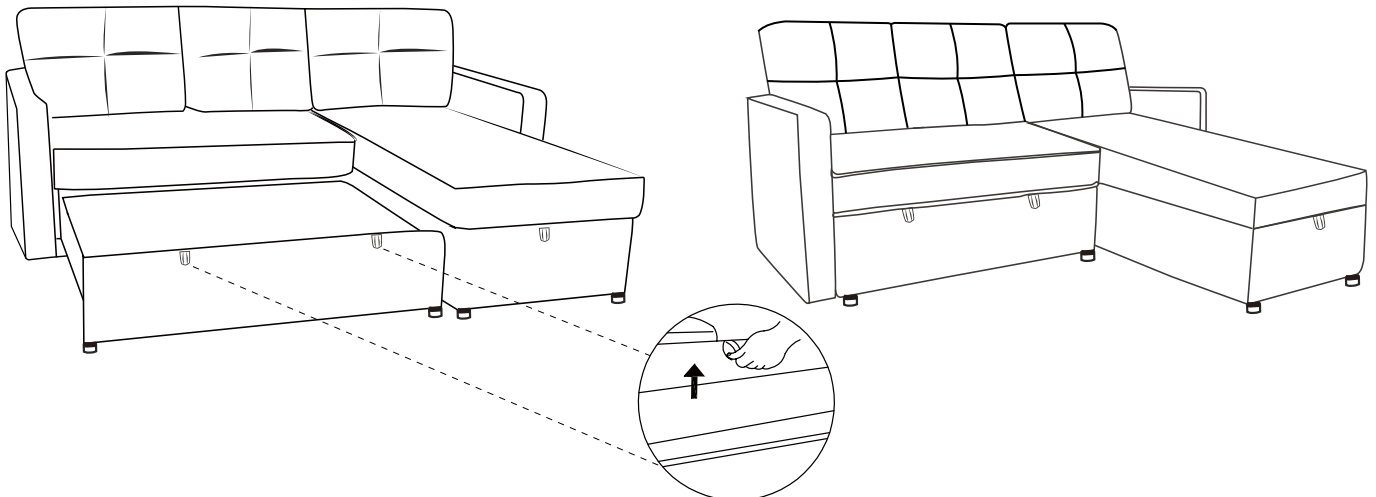
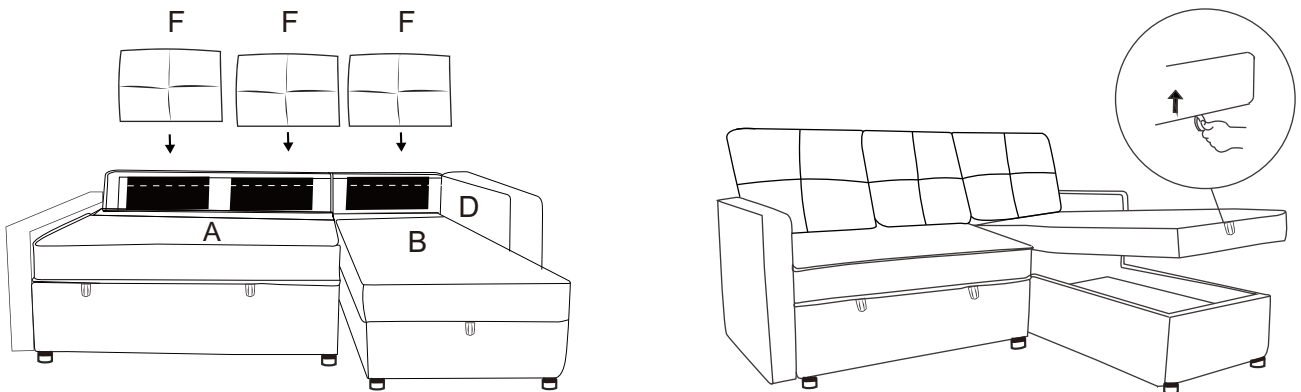
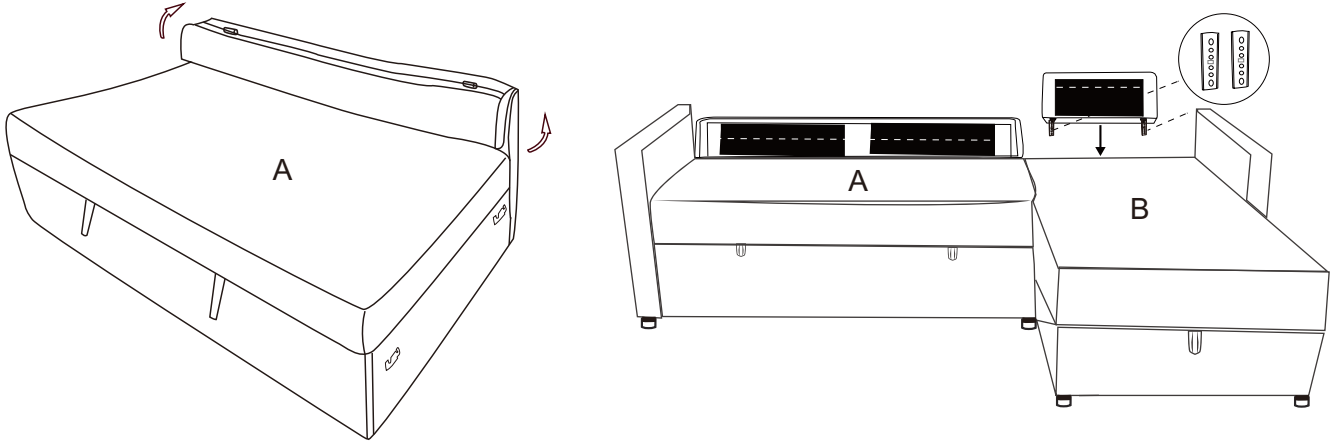
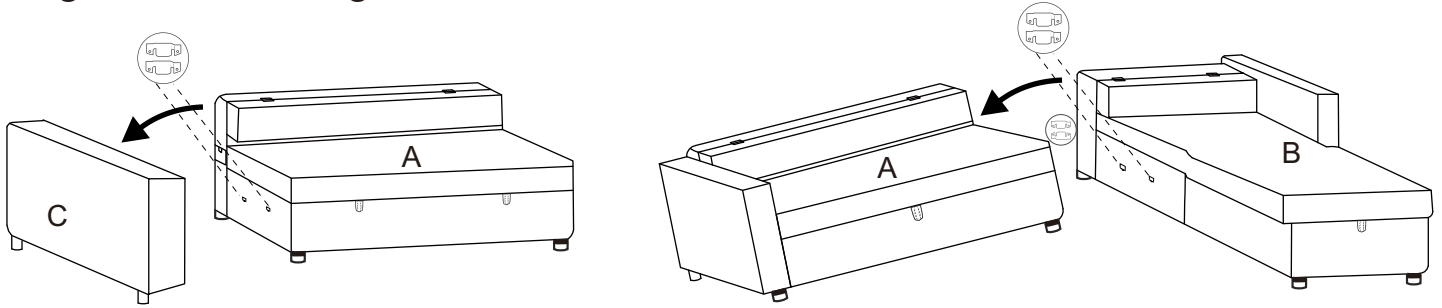
### Parts List

A		Loveseat Body	1pc	F		Cushion	3pcs
B		Chaise Body	1pc	G		Interlocking Bracket	2pcs
C		Facing Left Armrest	1pc	H		Round Plastic Foot	12pcs
D		Facing Right Armrest	1pc	I		Flat Washer	12pcs
E		Chaise Backrest	1pc				

### Legs Fixing



# Right Hand Facing Chaise



# Left Hand Facing Chaise

