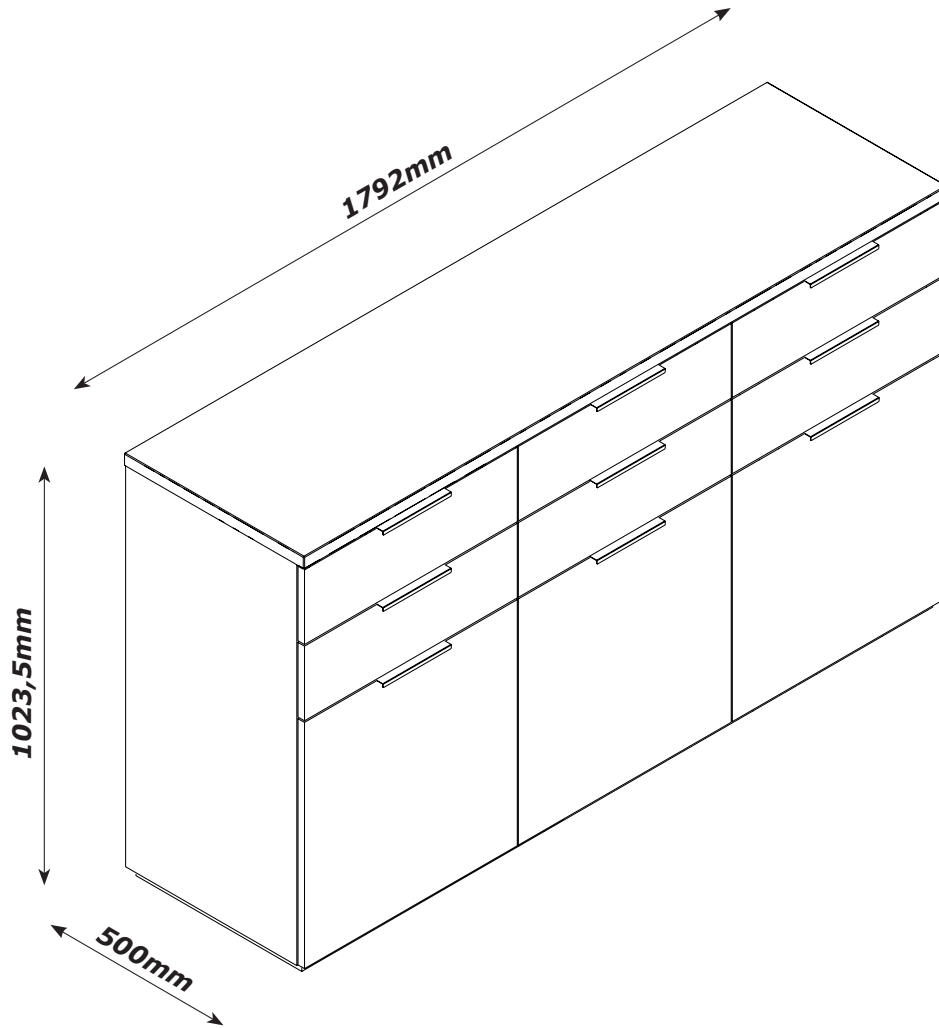
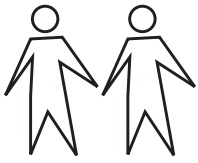


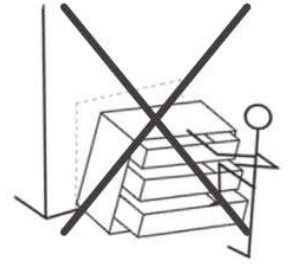
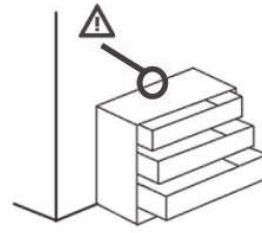
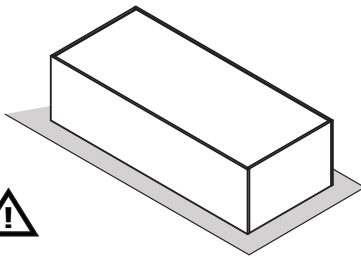
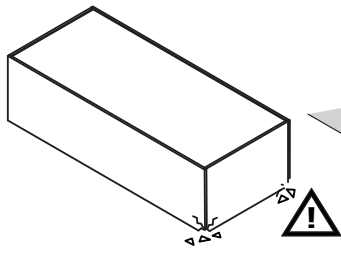
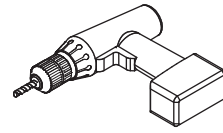
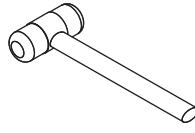
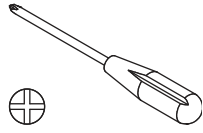
BS7403K64904



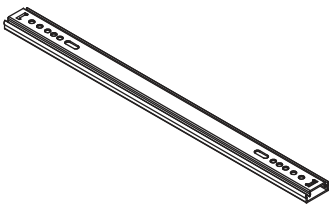
QF4988



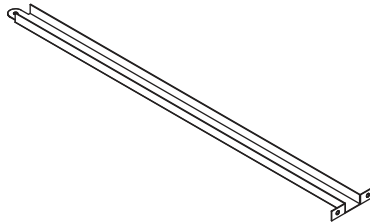
3h



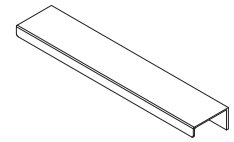
BU4080



A34
x12

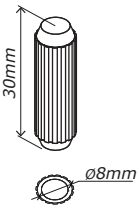


W420
x6



M94
x9

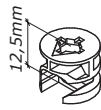
BU4110



H1
x16



T28
x24



T7
x4



T98
x12



T99
x8



V38
x12



V5
x44



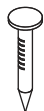
T53
x8



V107
x16



H2
x18



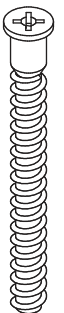
H15
x35



H54
x26



V98
x18



V115
x4



H113
x18



H139
x8



R40
x24



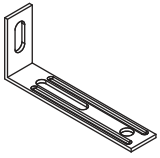
G31
x14



G128
x12



G57
x4



H185
x2

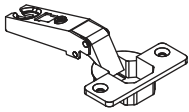


H129
x4

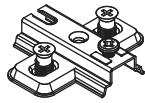


V81
x4

BU3494 X2



C66
x4

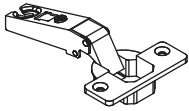


B30
x4

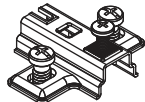


V5
x8

BU4257



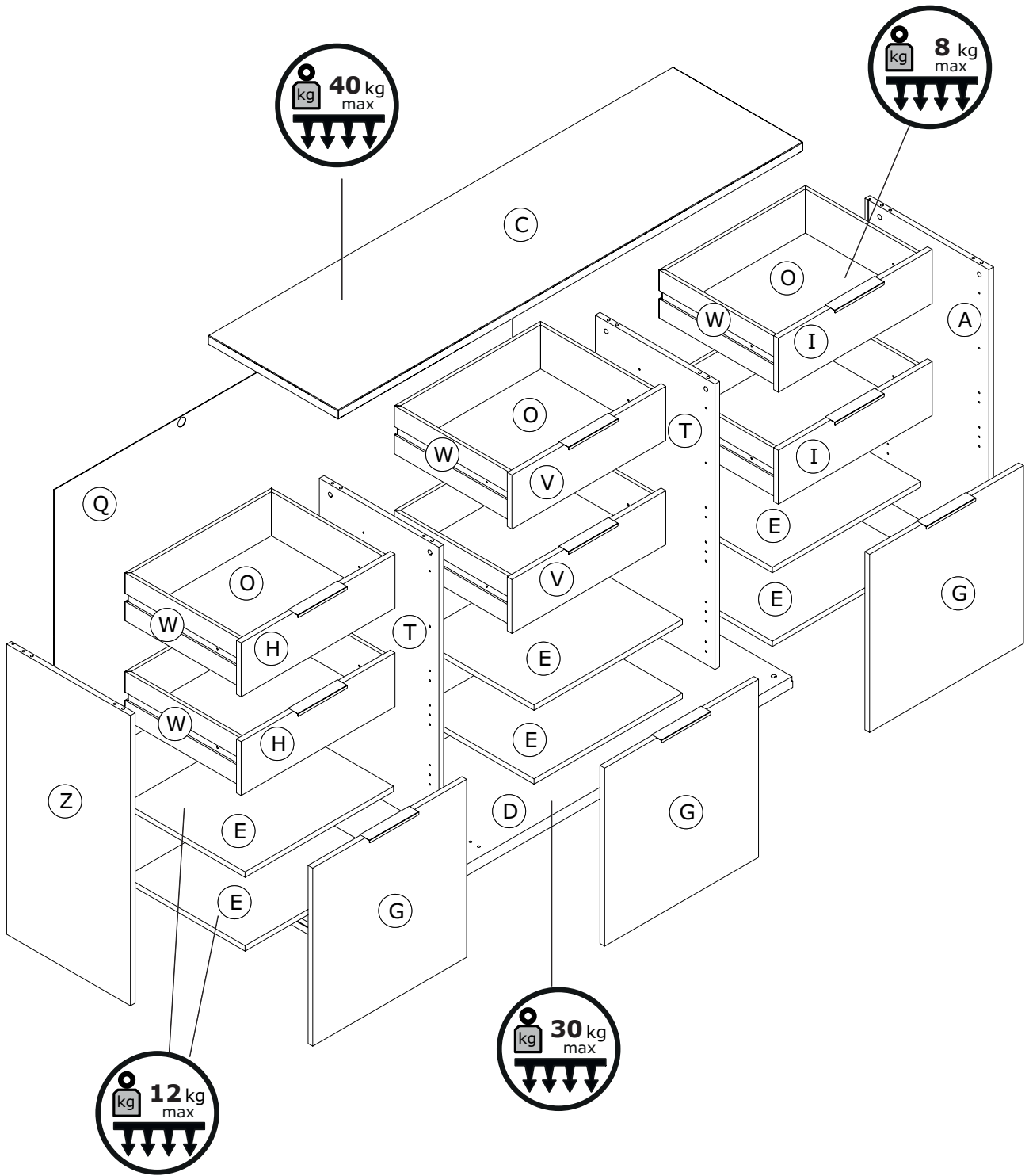
C66
x2

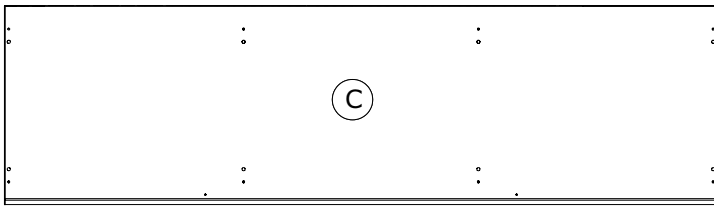


B23
x2

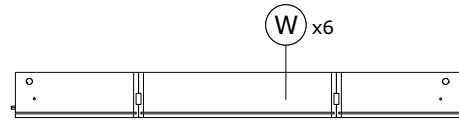


V5
x4



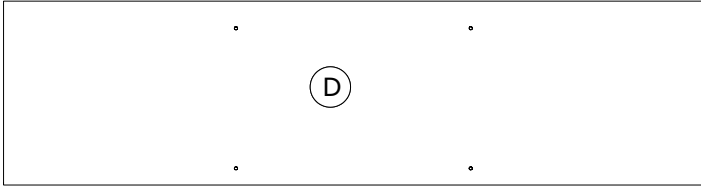


CA3503
1792x500x30mm

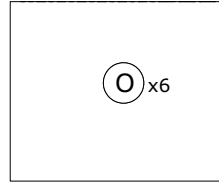


OF0530
450x564x450mm H.160mm

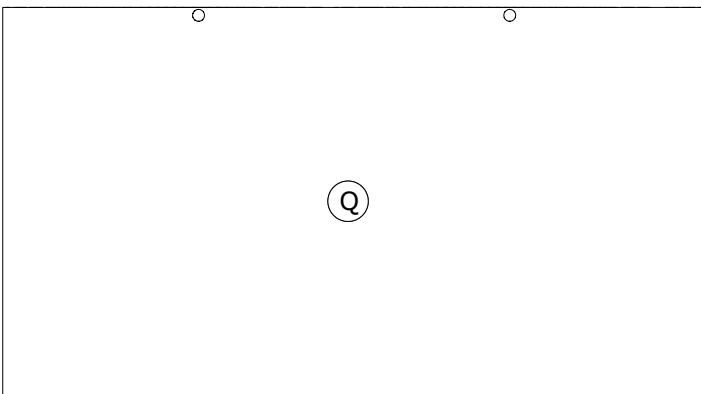
BOX 1/4



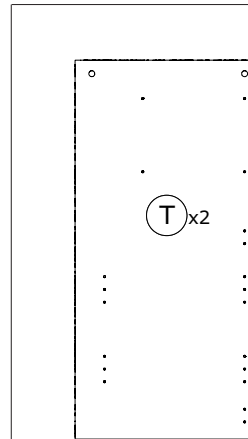
BA2143
1758x462x38mm



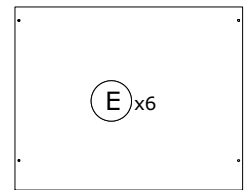
SH3275
551x451x2mm



SS0722
1766x974x2mm



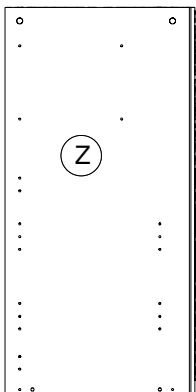
TR2182
952x461x18mm



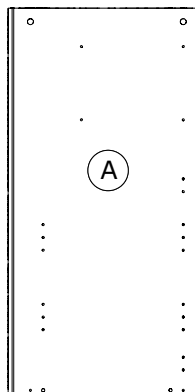
PI7072
572x460x18mm

BOX 2/4

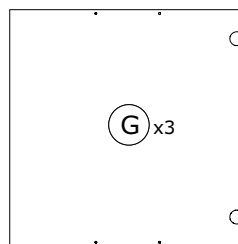
BOX 3/4



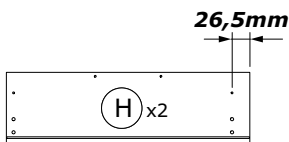
FI8497
968x477x18mm



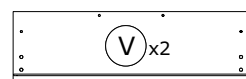
FI8499
968x477x18mm



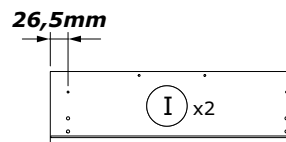
AN2799
594x593x18mm



CS3257
593x180x18mm



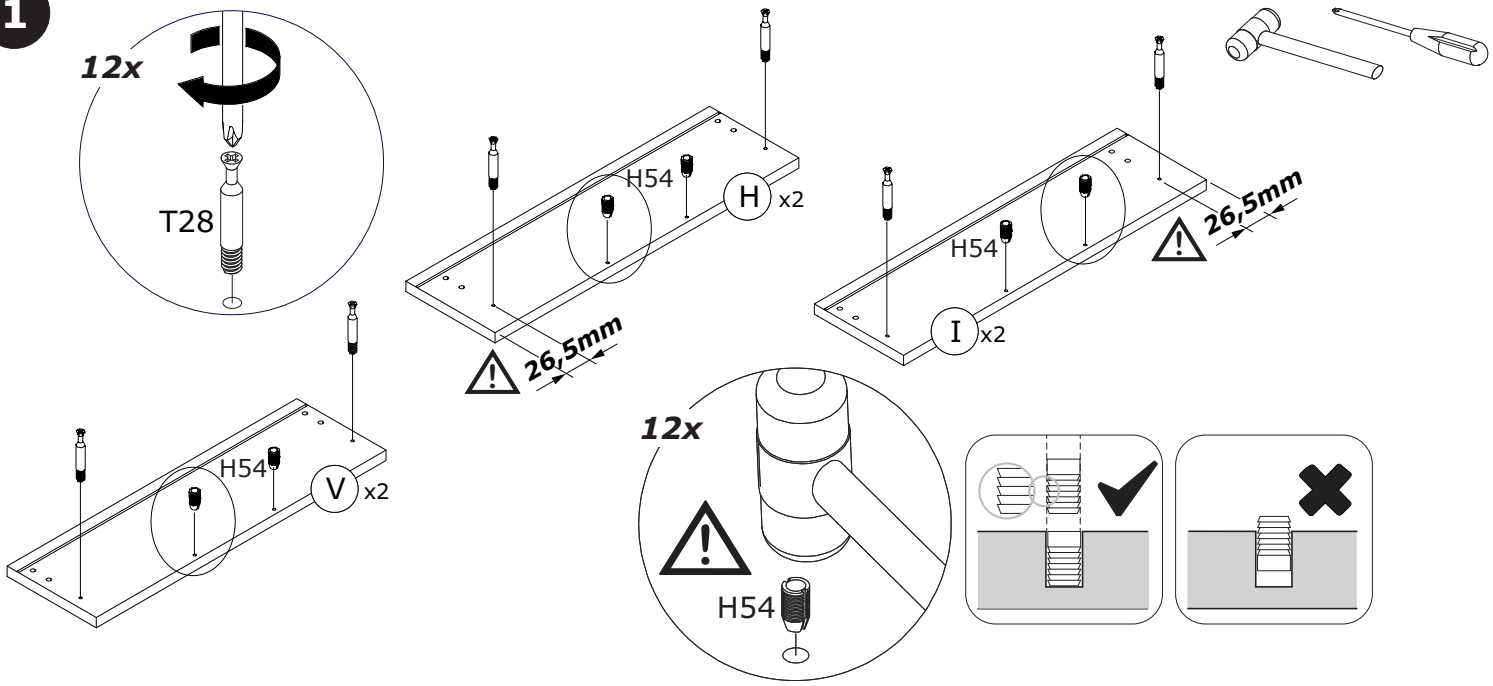
CS3255
593x180x18mm



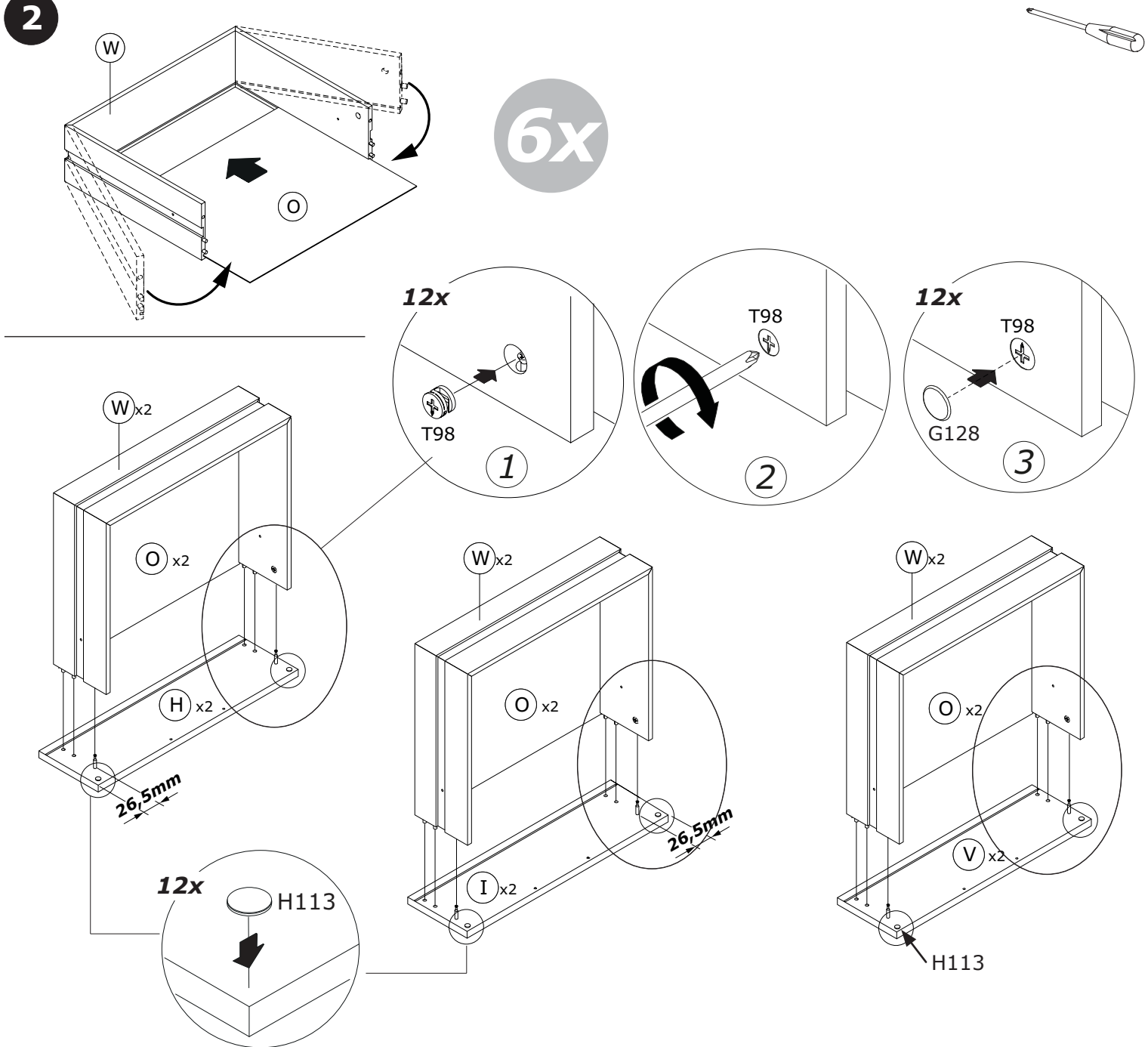
CS3259
593x180x18mm

BOX 4/4

1



2

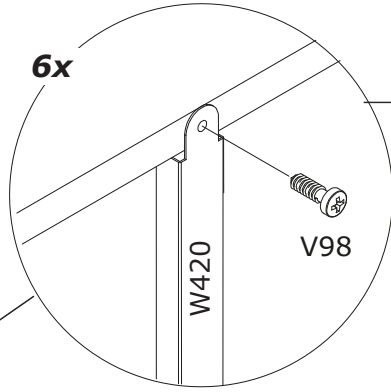


3

18x

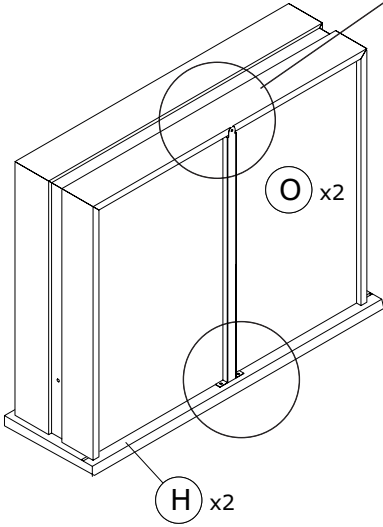
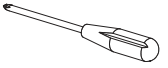


6x



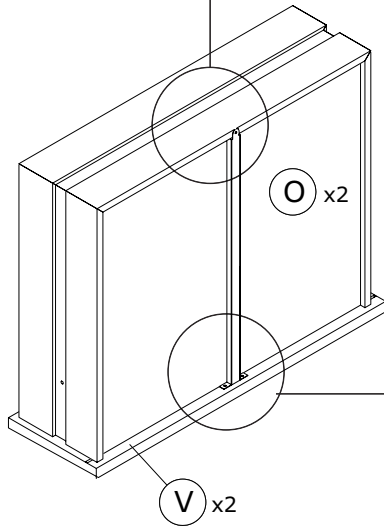
V98

W420



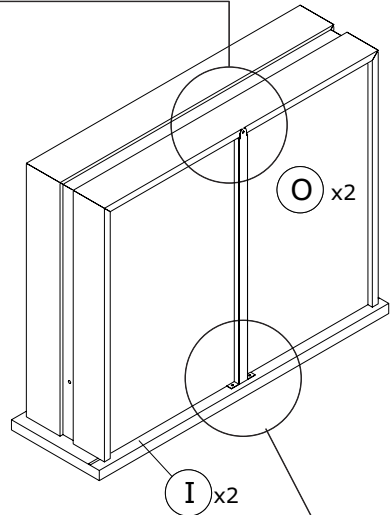
O x2

H x2



O x2

V x2

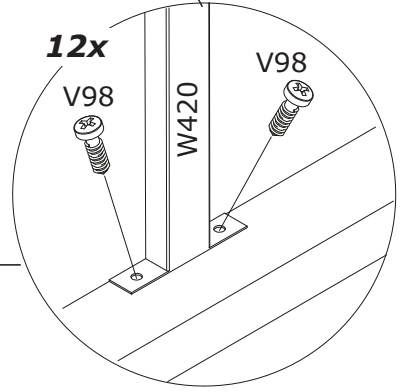


O x2

I x2

12x

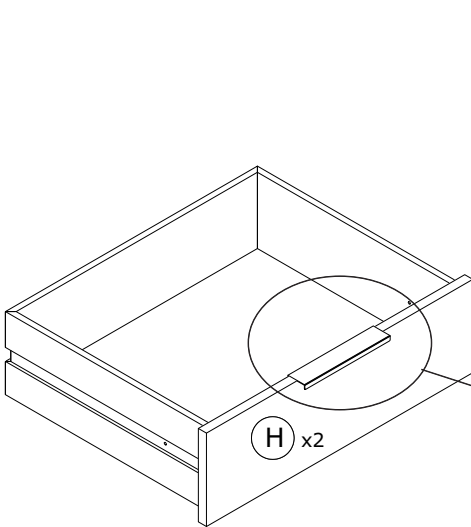
V98



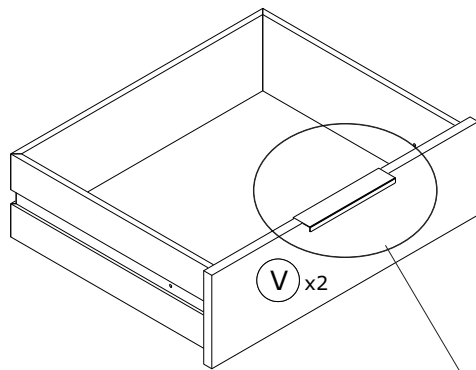
V98

W420

4



H x2

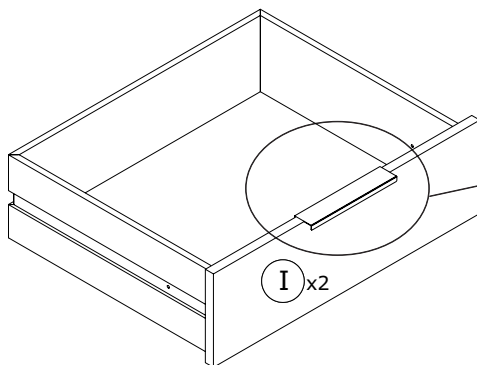
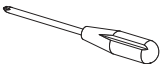


V x2

12x

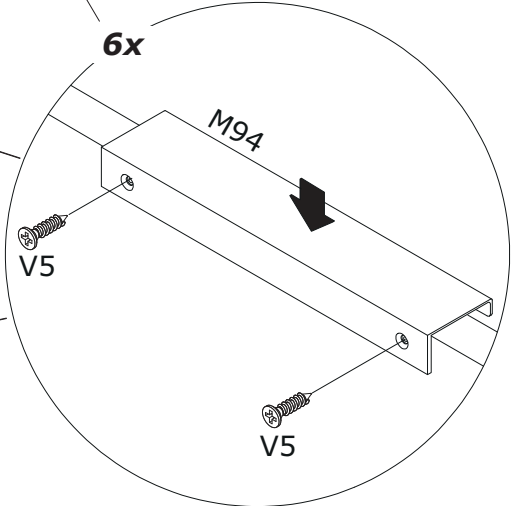


V5



I x2

6x

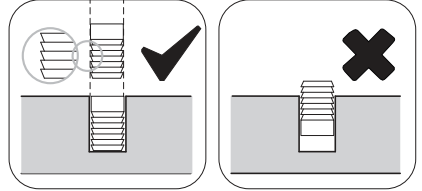
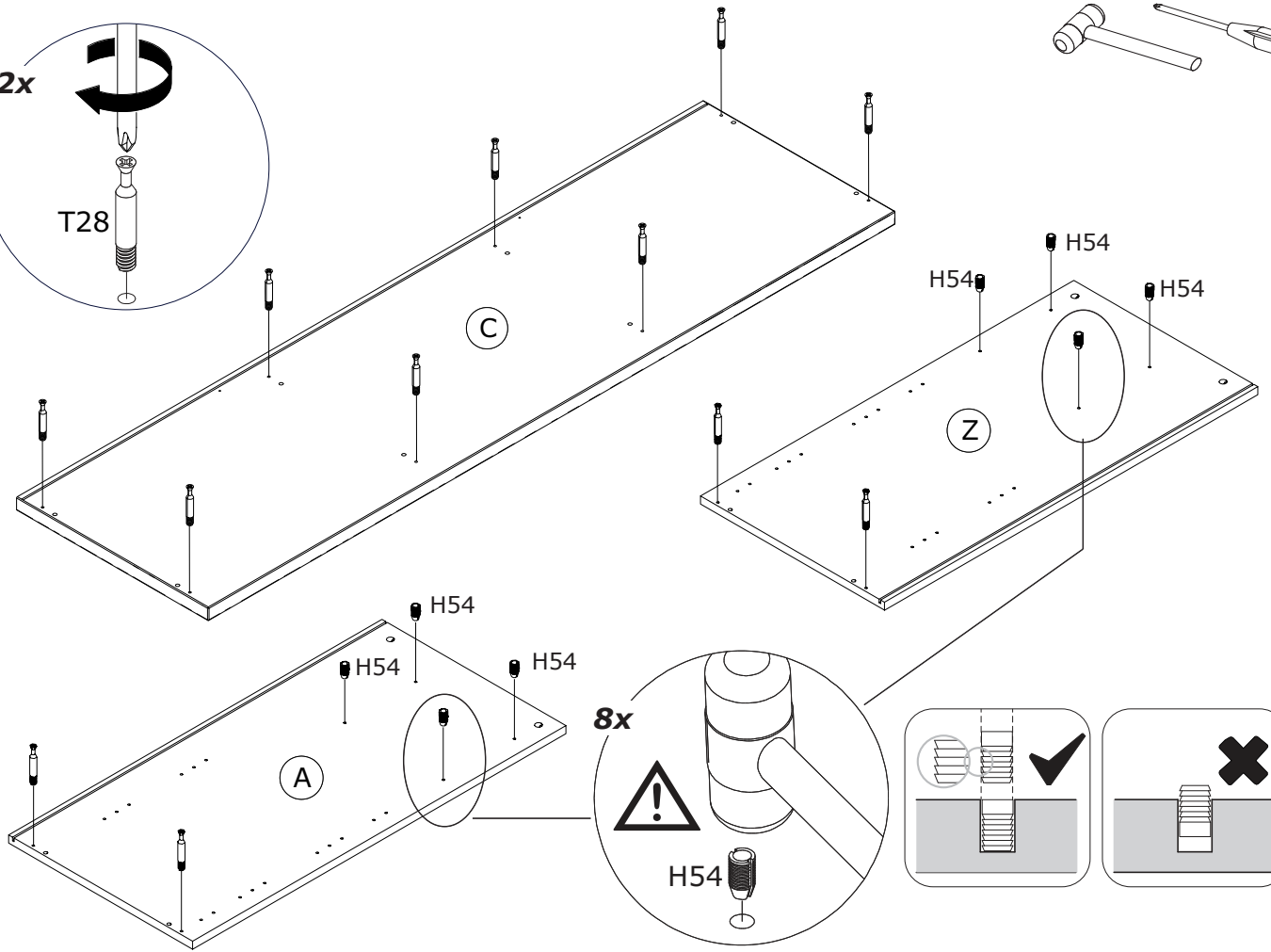
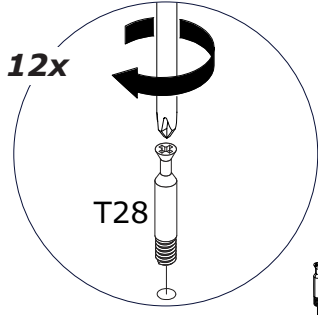
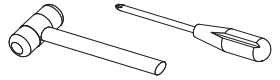


V5

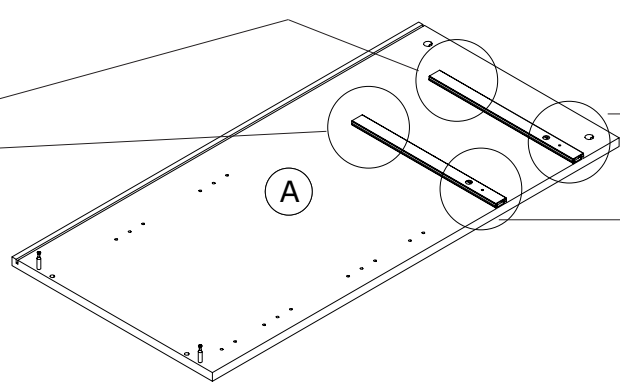
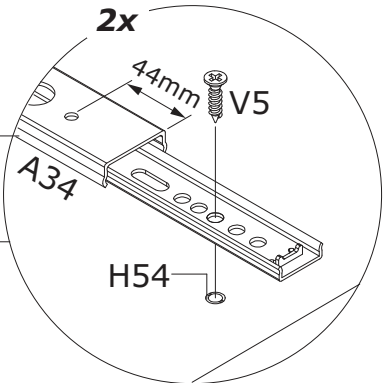
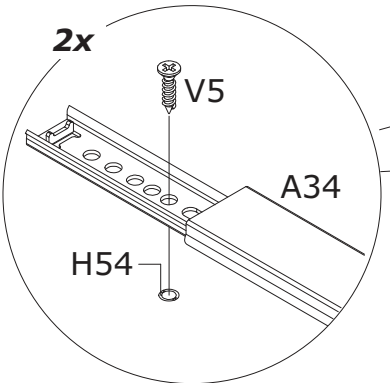
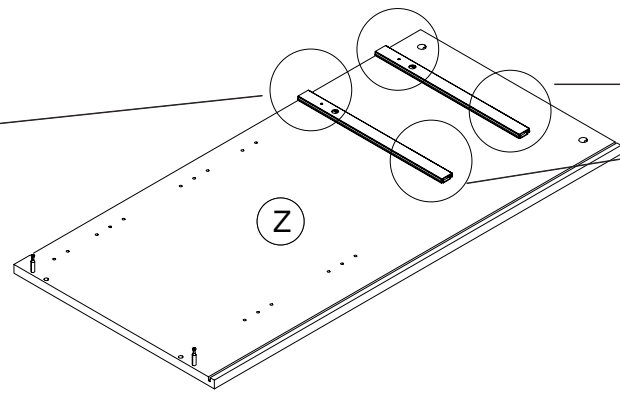
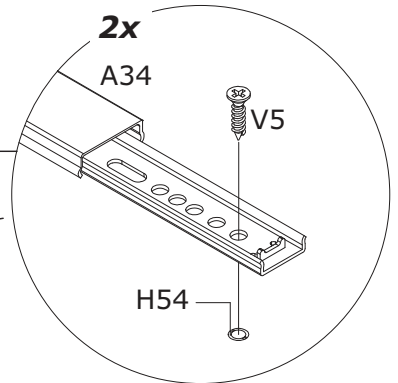
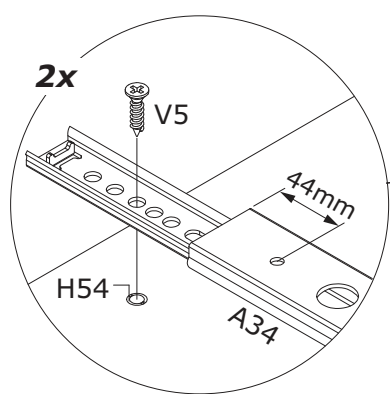
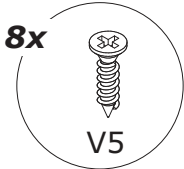
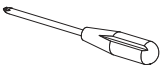
M94

V5

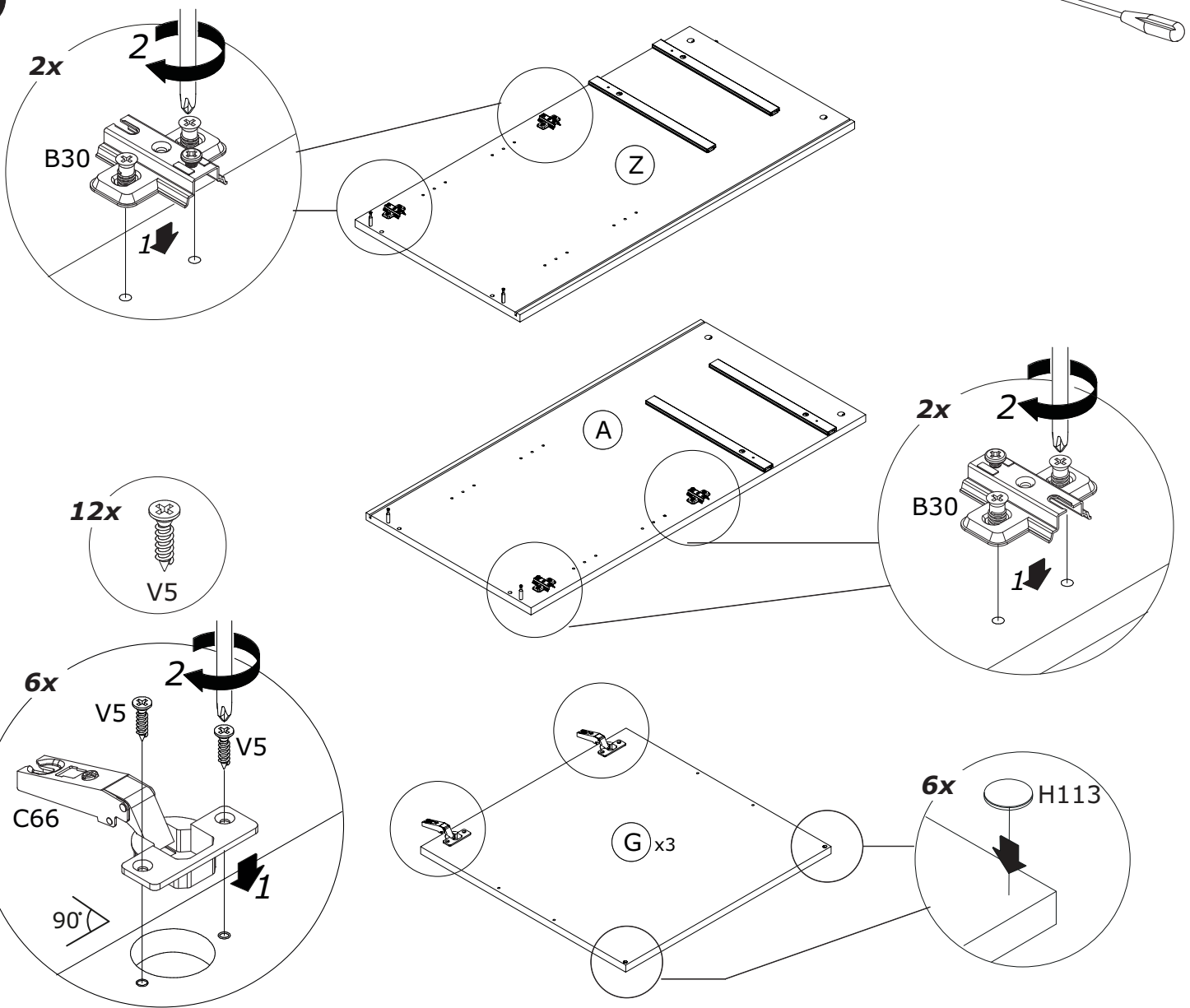
5



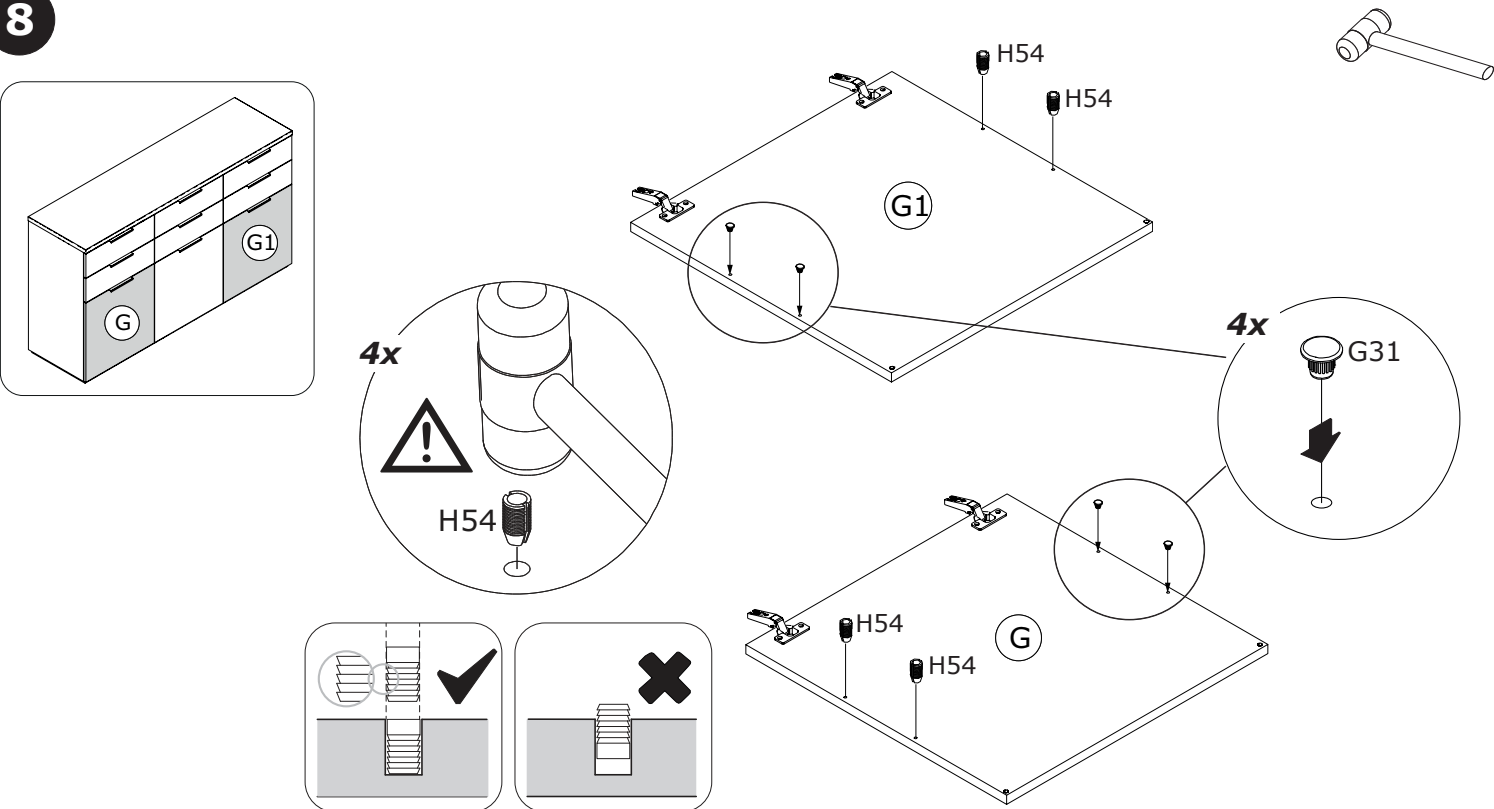
6



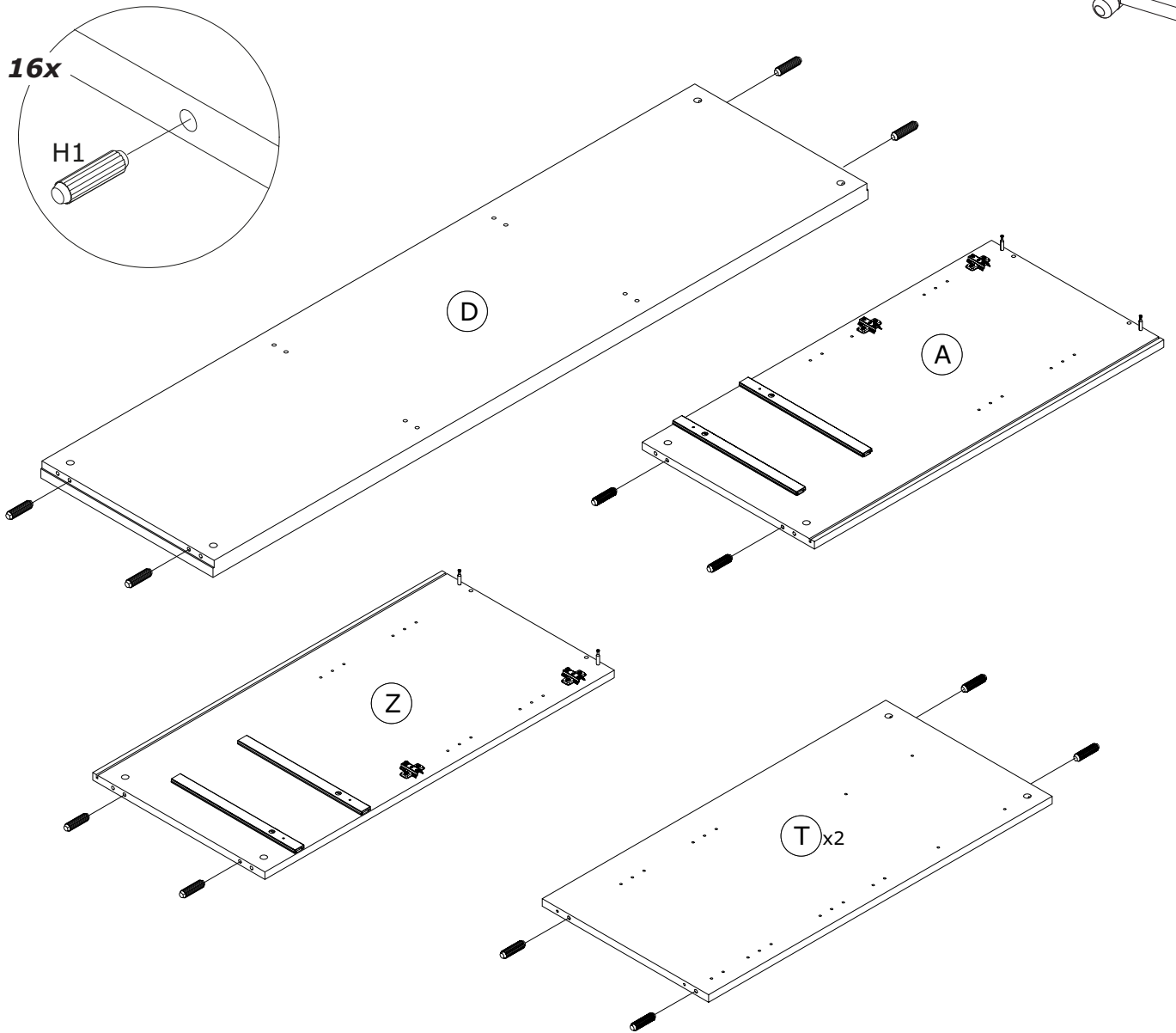
7



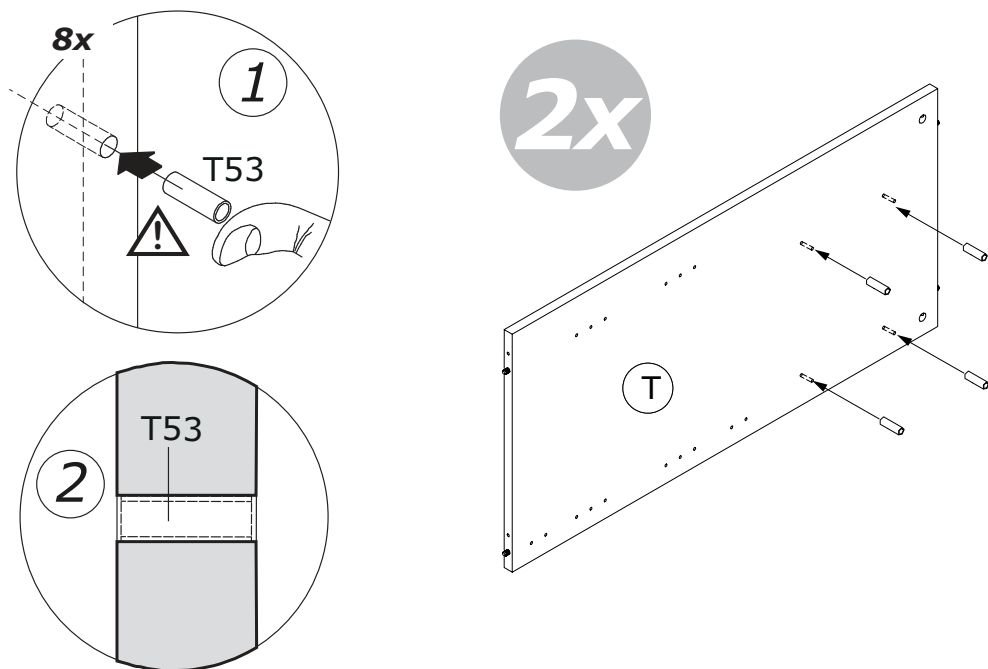
8



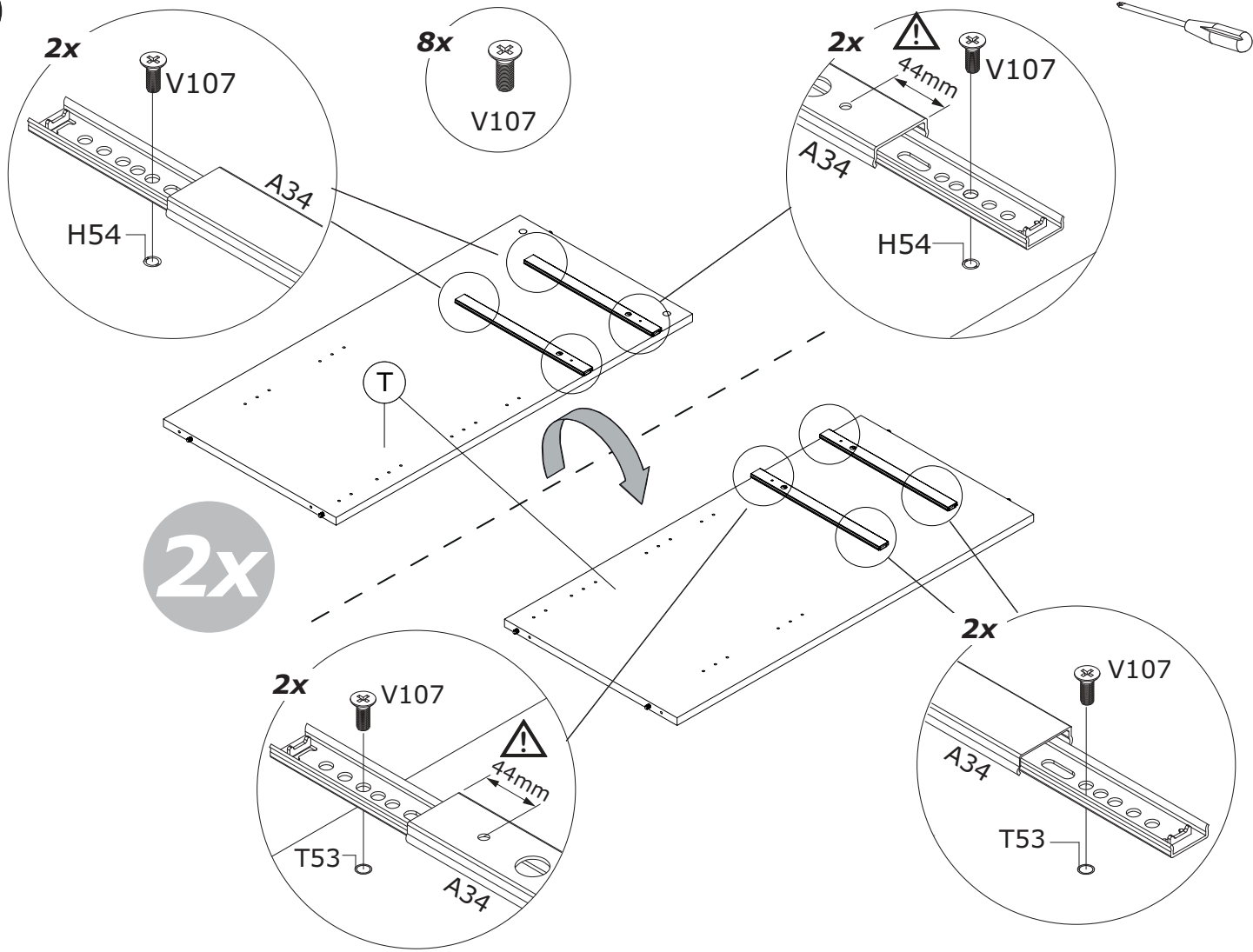
9



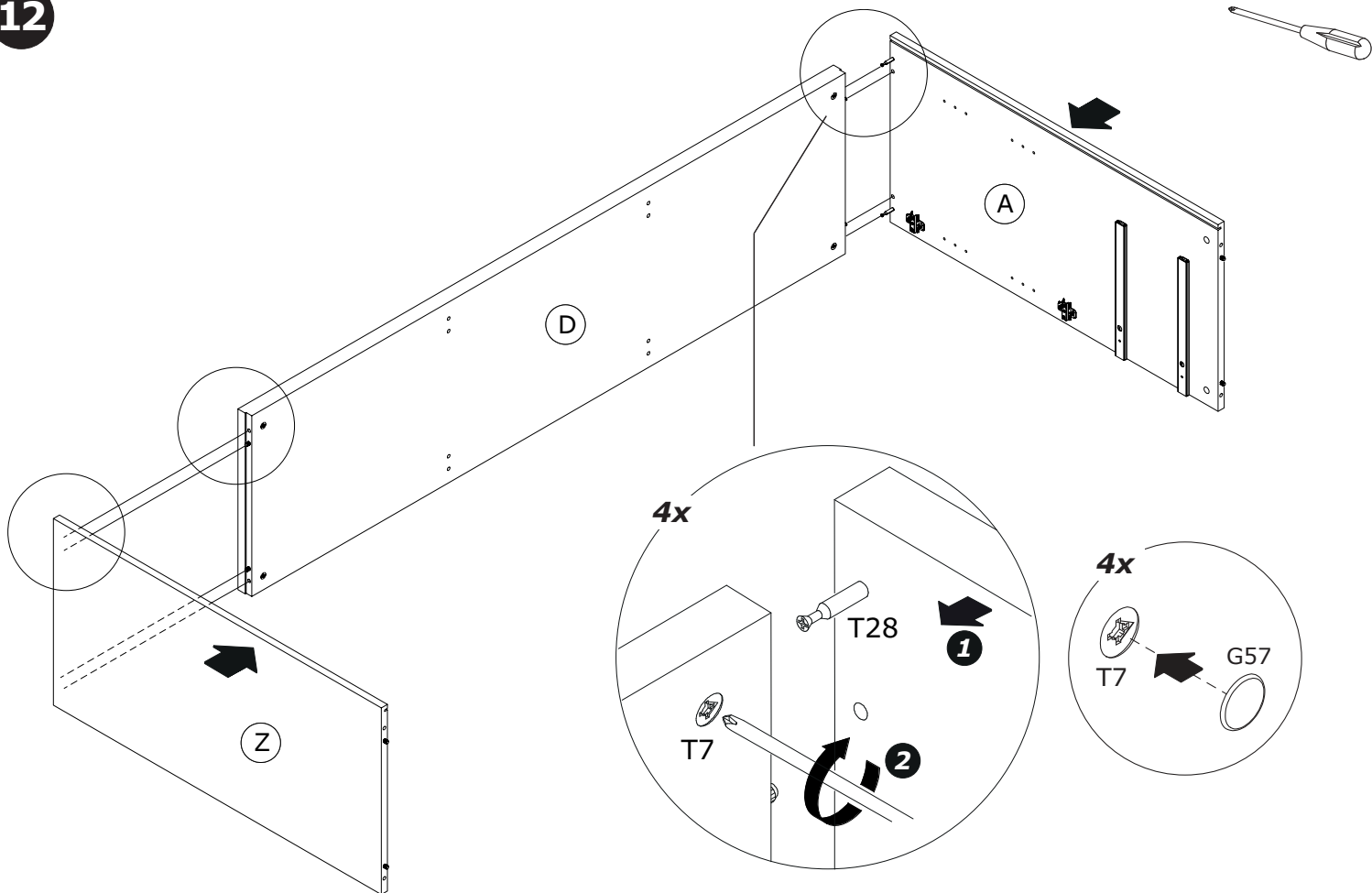
10



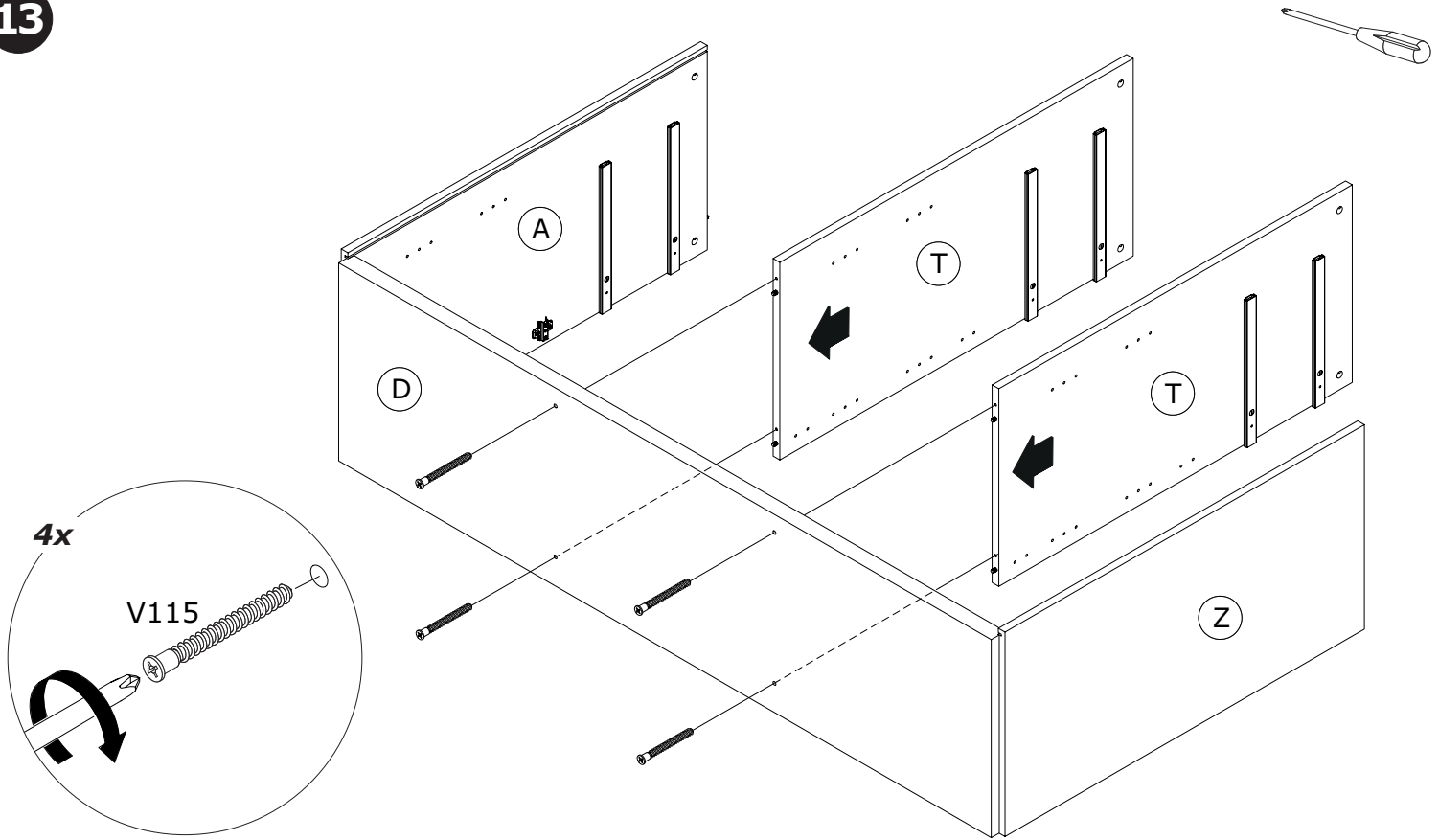
11



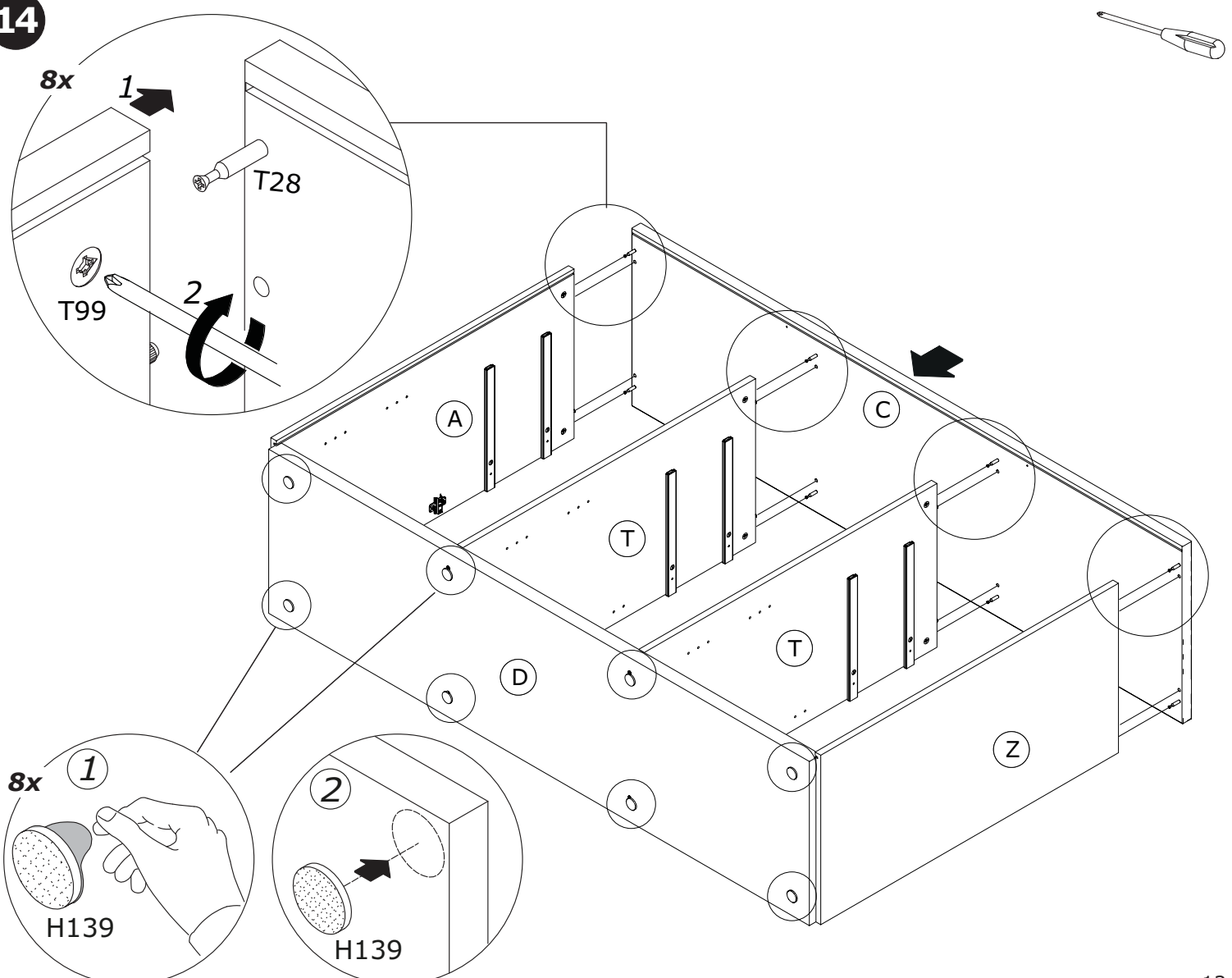
12



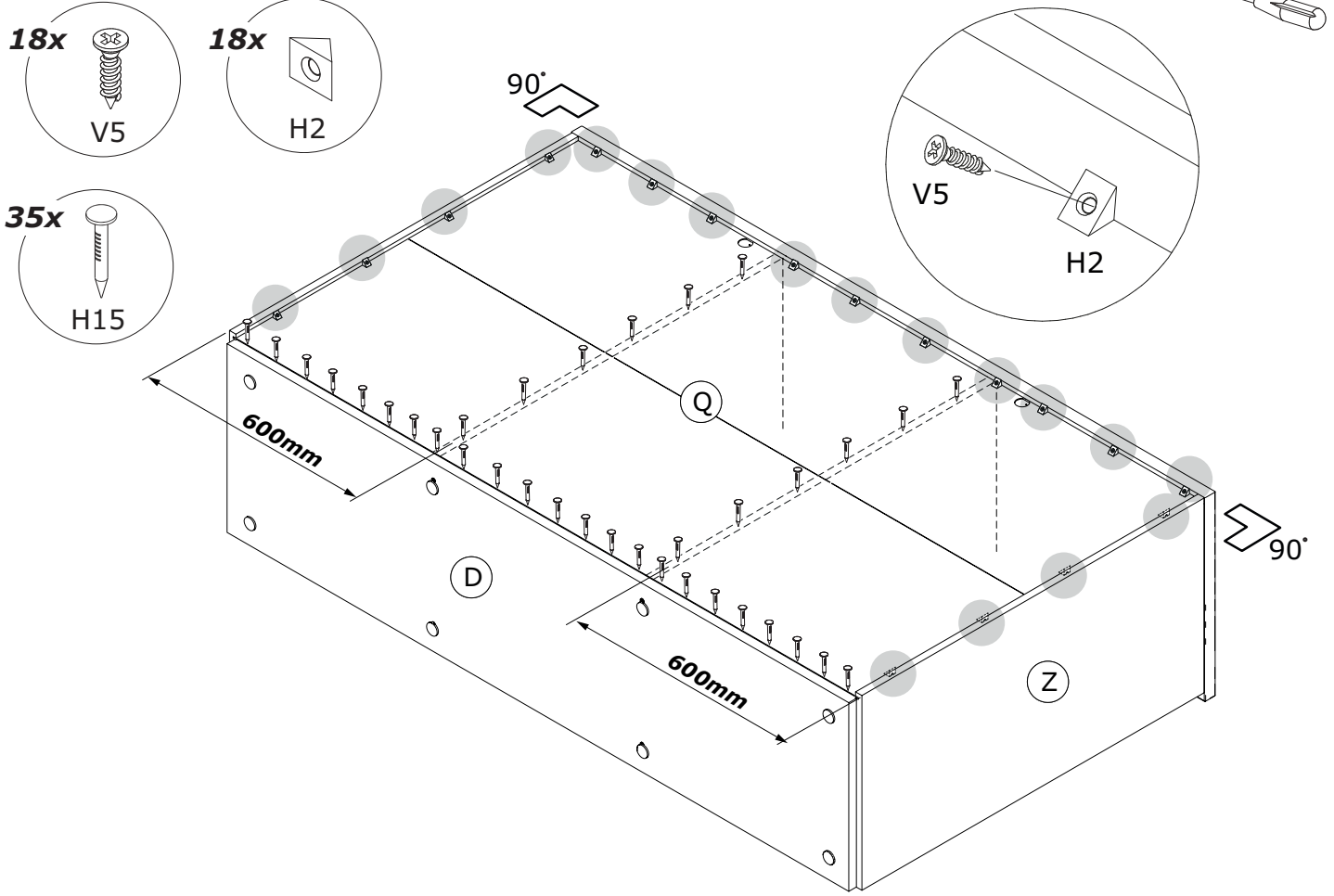
13



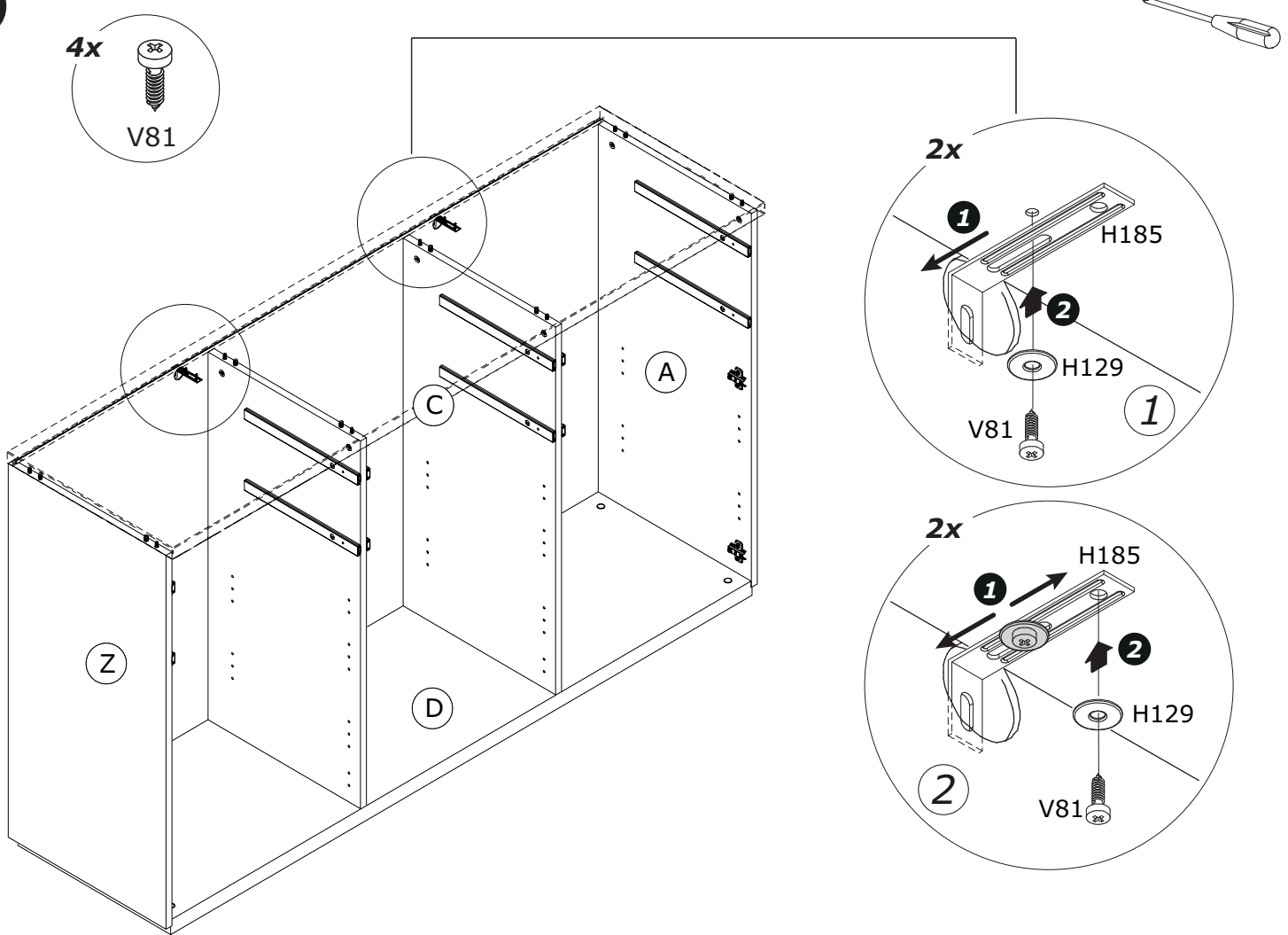
14



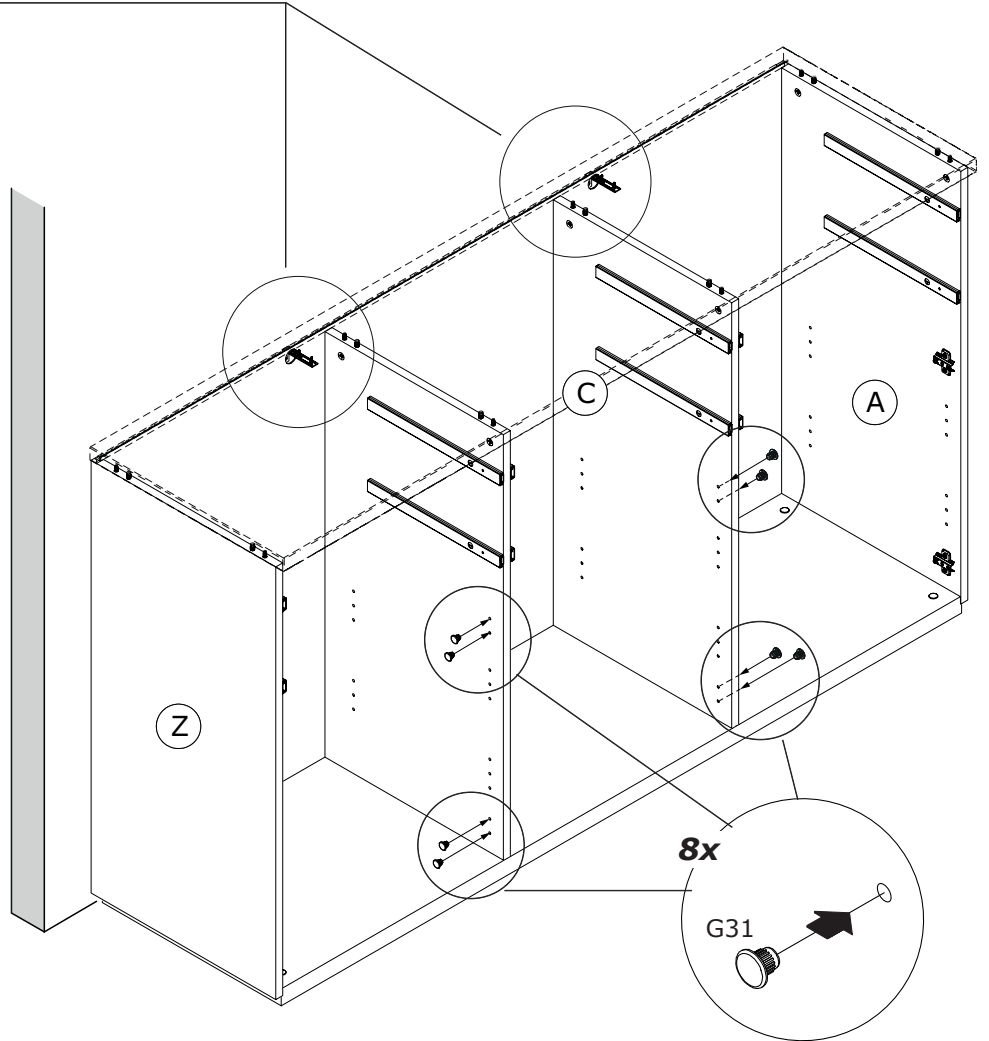
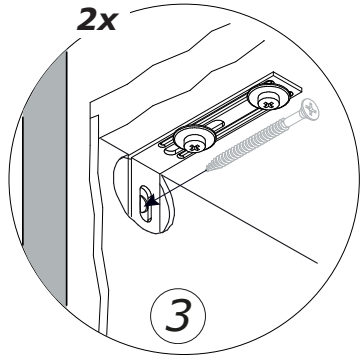
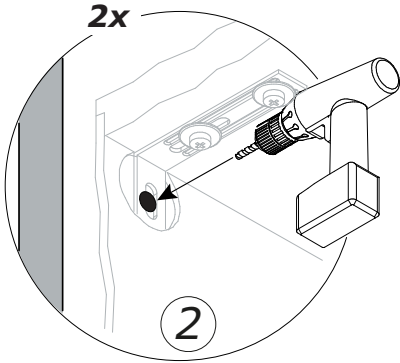
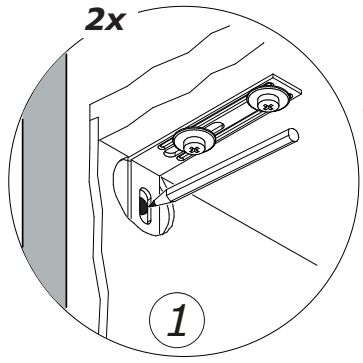
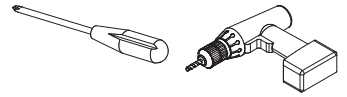
15



16



17



18

