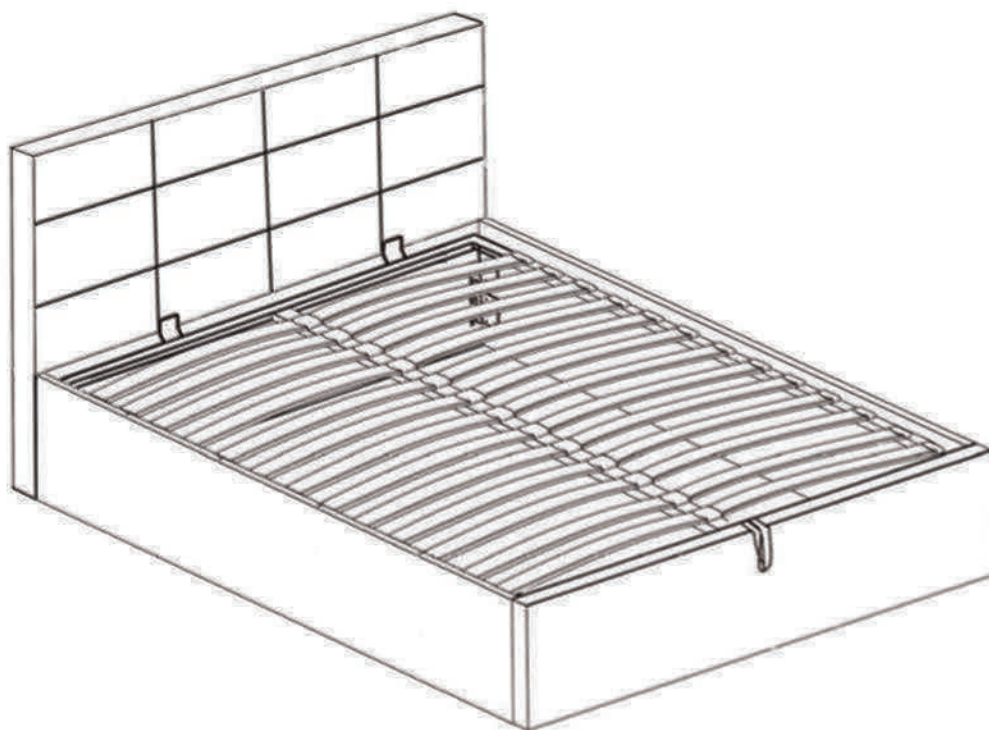


# ASSEMBLY INSTRUCTIONS



## IMPORTANT

PLEASE READ BEFORE YOU CONTINUE FURTHER

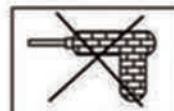
THE PRODUCT YOU HAVE PURCHASED WILL GIVE YOU MANY YEARS OF SERVICE IF YOU FOLLOW THE GUIDELINES FOR ITS SAFE ASSEMBLY AND PERIODIC MAINTENANCE AND CLEANING.

DO NOT FOR ANY REASON USE A POWER TOOL TO ASSEMBLE THIS PRODUCT .ITS USE WILL INVALIDATE ANY CLAIM YOU MAY HAVE AND COULD MAKE THIS PRODUCT UNSAFE .















DEPENDING ON THE AMOUNT OF USE THIS PRODUCT RECEIVES IT MAY BE NECESSARY TO TIGHTEN UP THE FIXNGS FROM TIME TO TIME .THIS IS COMPLETELY NORMAL FOR ANY FLAT PACK FURNITURE

FOR CLEANING USE A DAMP CLOTH (NOT WET).DRY DUSTER AND NORMAL FURNITURE POLISH.

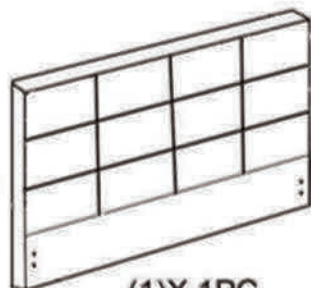
USE OF POWER TOOLS TO ASSEMBLE THIS PRODUCT WILL INVALIDATE ANY CLAIM AND MAY DAMAGE THIS PRODUCT MAKING IT UNSAFE.



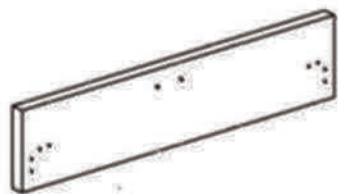
# HARDWARE LIST

REF		HARDWARE NAME	QTY
A		M8×25 BOLT	22PCS
B		M8×35 BOLT	4PCS
C		M8×40 BOLT	10PCS
D		SPRING WASHER	8PCS
E		FLAT WASHER M8	32PCS
F		NUT M8	14PCS
G		M6X10BOLT	8PCS
H		FLAT WASHER M6	8PCS
I		ALLEN KEY	1 PC
J		OPEN SPANNER	1 PC
K		PROTECTIVE PAD	8PCS
L			2 PCS
M			1 PC
N		PROTECTIVE PAD	1 PC

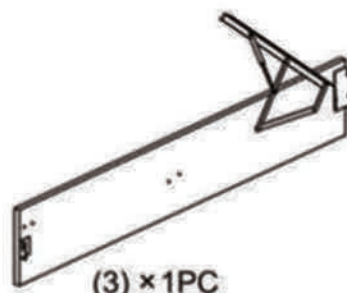
# PART LIST



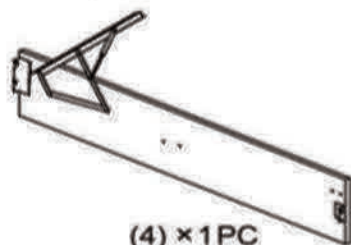
(1)X 1PC



(2)X 1PC



(3) × 1PC



(4) × 1PC



(5)X 24PCS



(6)X 24PCS



(7) X 12PCS



(8)X 2PCS



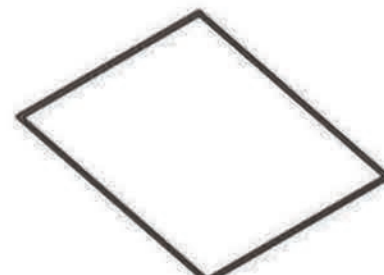
(9)X 2PCS



(10)X 1PC



(11)X1PC



(15)X 1PC



(12)X 2PCS

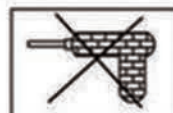


(13)X 1PC

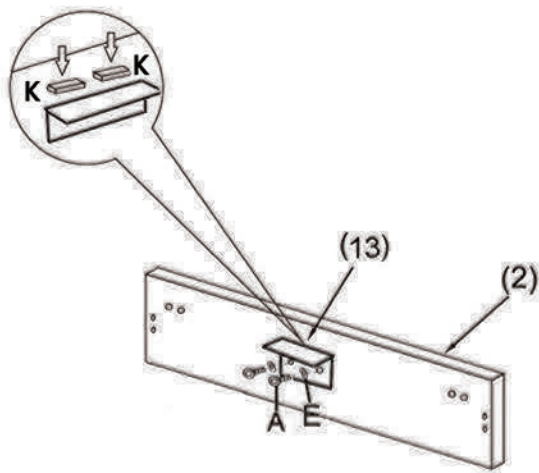


(14)X 2PCS

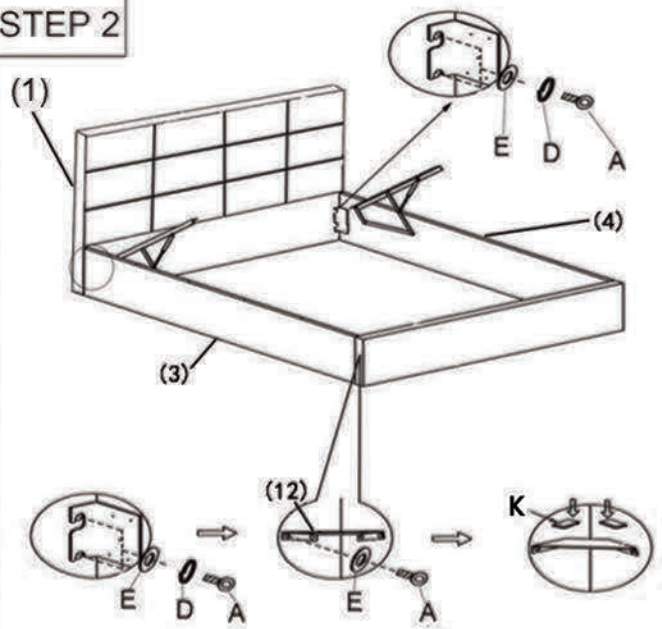
USE OF POWER TOOLS TO ASSEMBLE THIS PRODUCT WILL INVALIDATE ANY CLAIM AND MAY DAMAGE THIS PRODUCT MAKING IT UNSAFE.



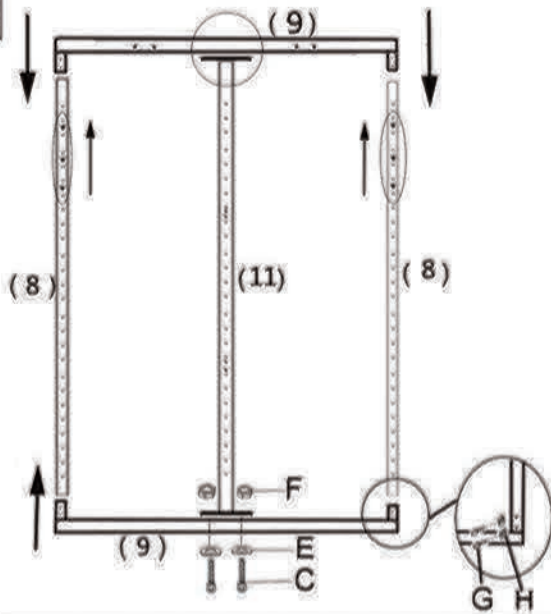
STEP 1



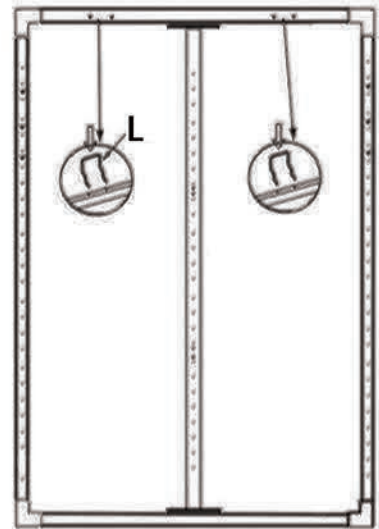
STEP 2



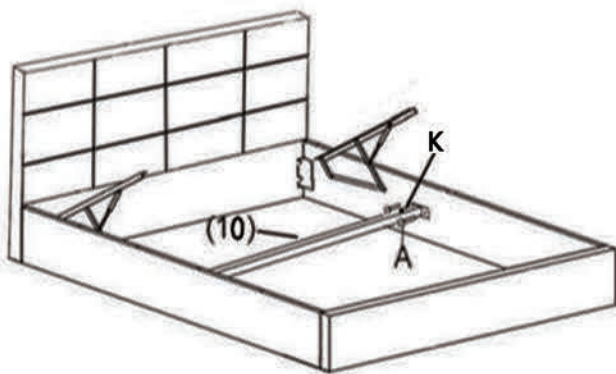
STEP 3



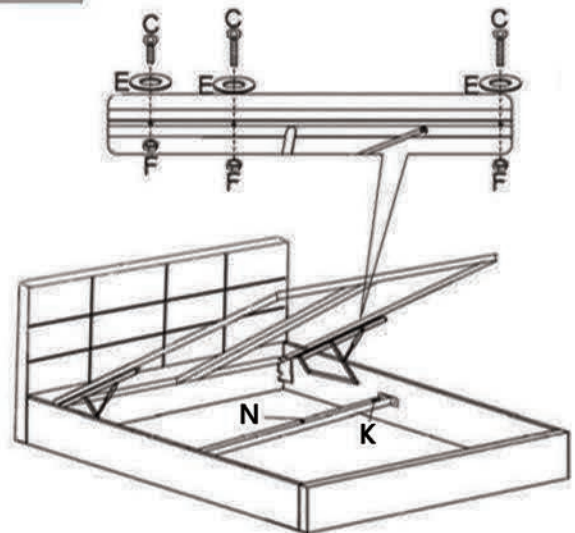
STEP 4



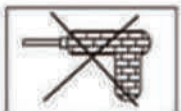
STEP 5



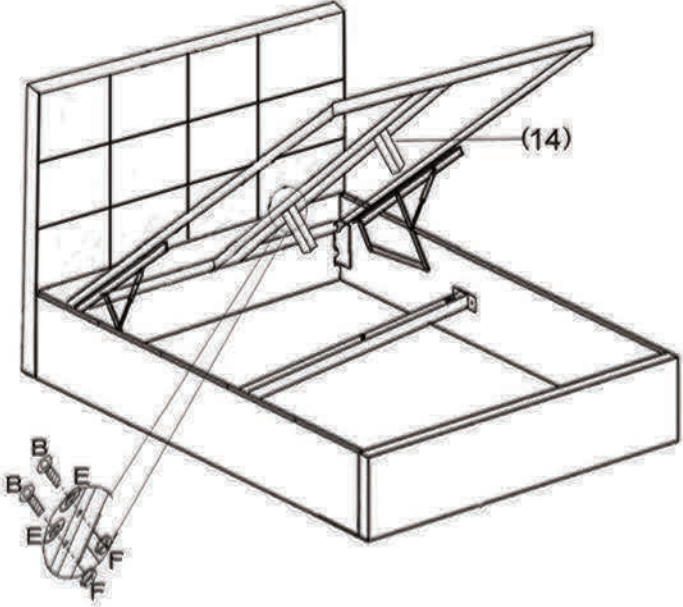
STEP 6



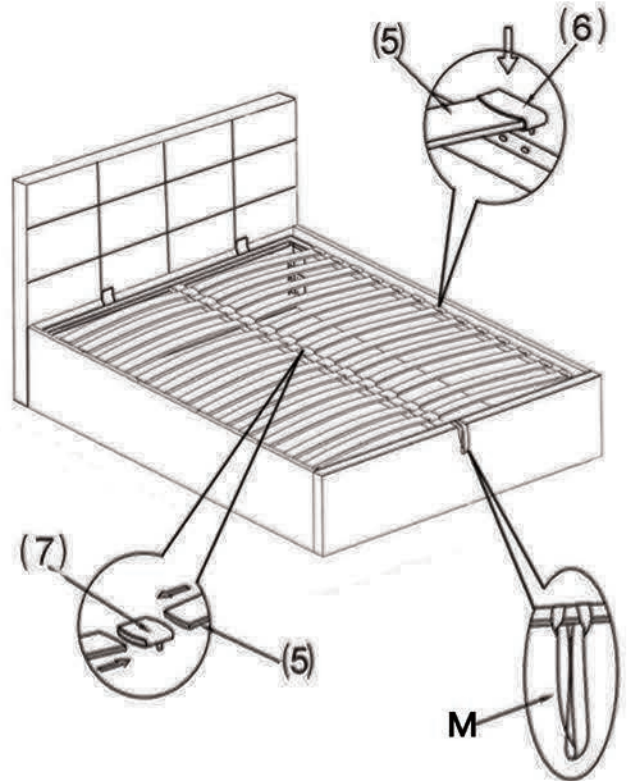
USE OF POWER TOOLS TO ASSEMBLE THIS PRODUCT WILL INVALIDATE ANY CLAIM AND MAY DAMAGE THIS PRODUCT MAKING IT UNSAFE.



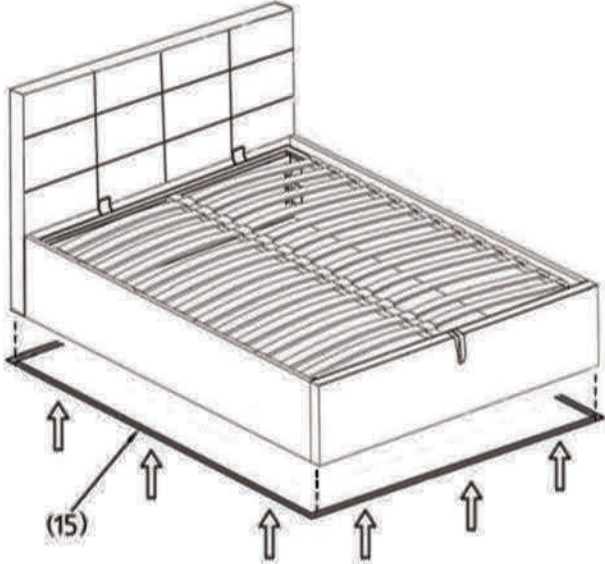
STEP 7



STEP 8



STEP 9



FULLY SETUP



USE OF POWER TOOLS TO ASSEMBLE THIS PRODUCT WILL INVALIDATE ANY CLAIM AND MAY DAMAGE THIS PRODUCT MAKING IT UNSAFE.

