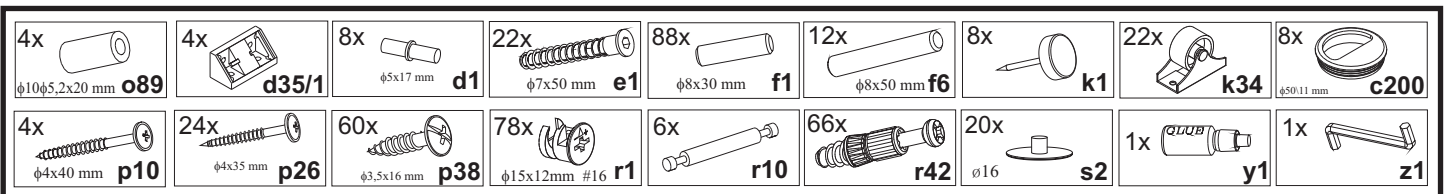
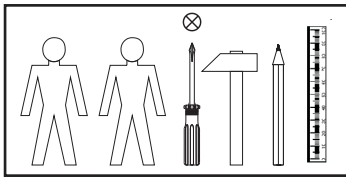
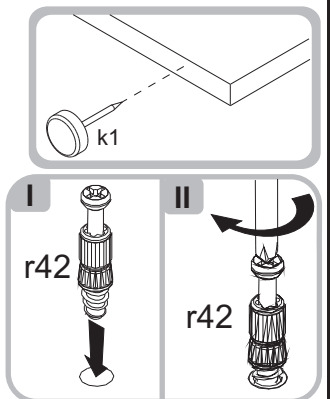
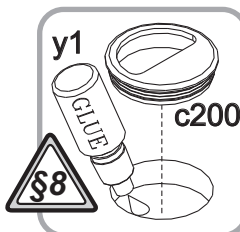
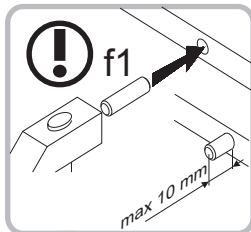
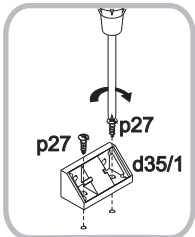
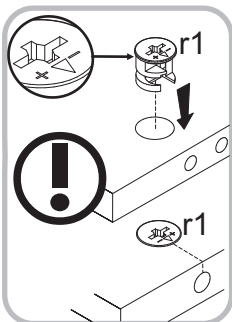
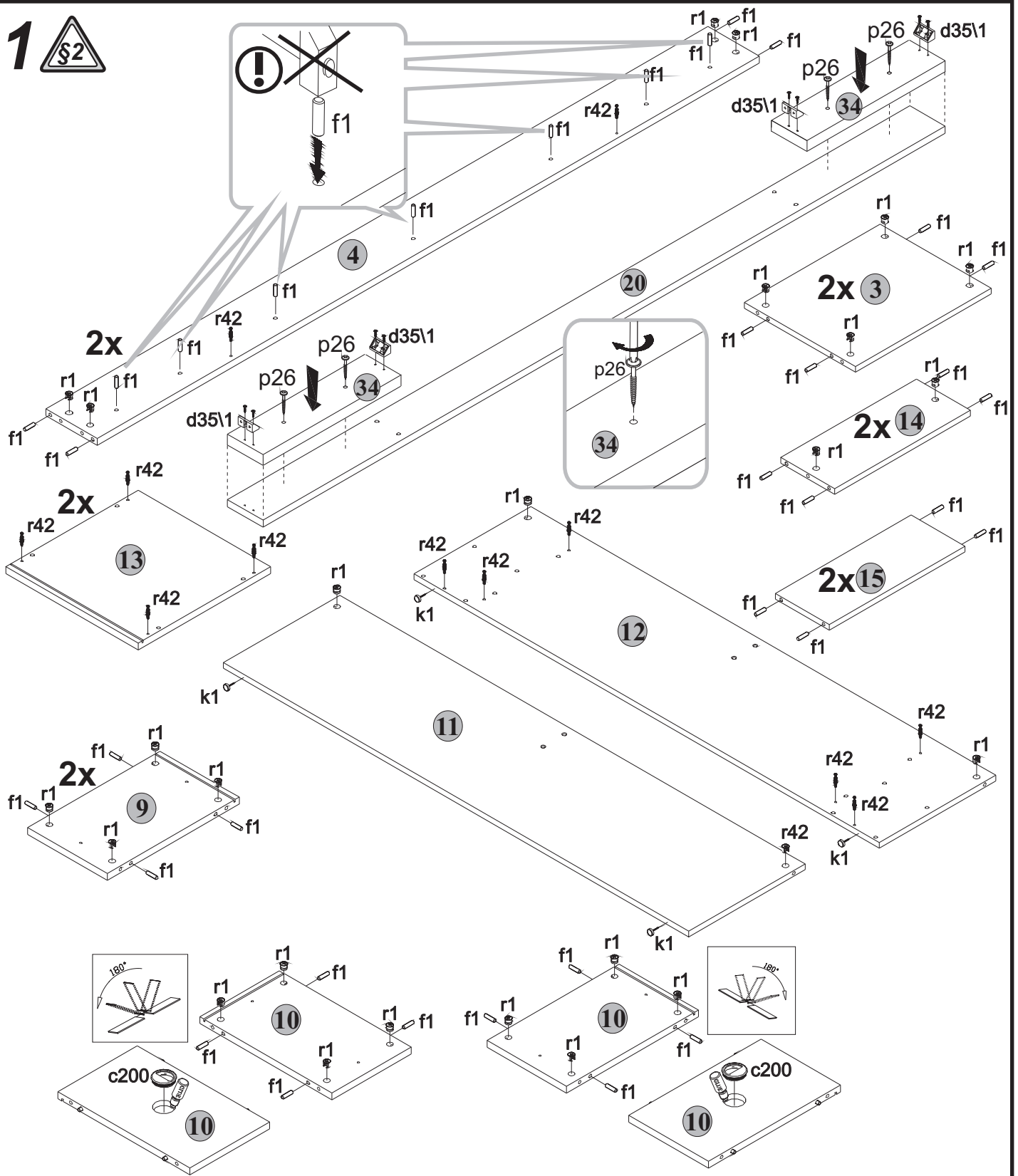


A	B	C	D
1	D 13-003	1170x298	3/4
2	D 13-005	1438x298	2/4
3	D 13-157	335x410	3/4
4	D 13-159	2000x155	1/4
5	D 13-160	470x203	2/4
6	D 13-161	470x203	2/4
7	D 13-163	850x203	2/4
8	D 13-164	850x203	2/4
9	D 13-165	240x399	4/4
10	D 13-166	240x399	4/4
11	D 13-167A	1805x352	2/4
12	D 13-168A	1805x352	2/4
13	D 13-209	400x400	4/4
14	D 13-303	410x163	3/4
15	D 13-304	410x163	2/4; 3/4
16	D 13-305	363x381	4/4
17	D 13-521	650x190	3/4

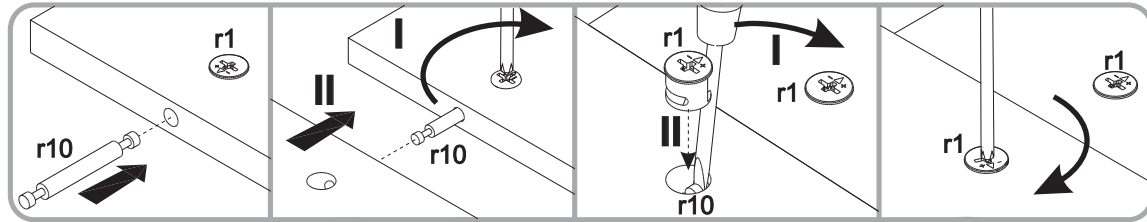
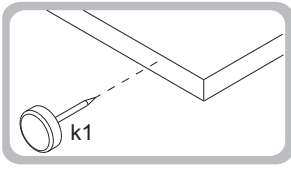
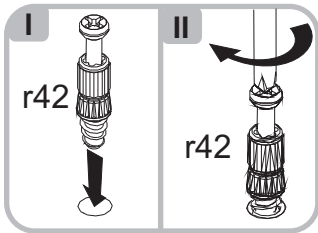
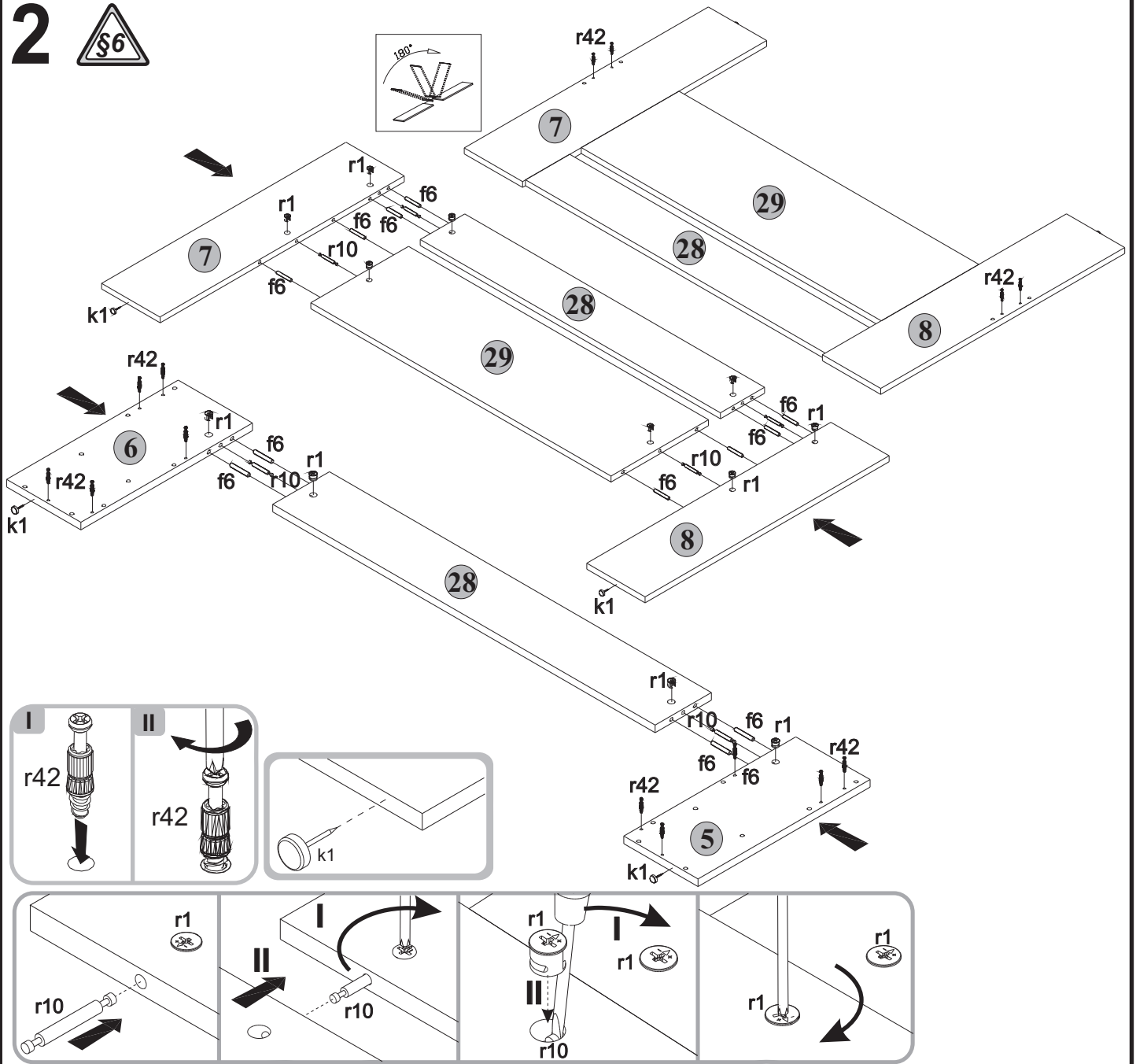
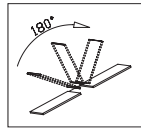
A	B	C	D
18	D 13-522	650x190	3/4
19	D 13-524	634x80	3/4
20	D 13-534	2000x104	1/4
21	D 13-561	1150x273	3/4
22	D 13-537	1148x40	1/4
23	D 13-538	408x40	1/4
24	D 13-541	1110x190	3/4
25	D 13-542	411x190	3/4
26	D 13-543	411x190	3/4
27	D 13-545	395x80	3/4
28	D 13-546	1445x154	2/4
29	D 13-547	1445x340	2/4
30	D 13-550	1406x190	2/4
31	D 13-902A	1120x644	3/4
32	D 13-904	250x373	4/4
33	D 13-905	1416x405	2/4
34	D 13-529	410x104	1/4



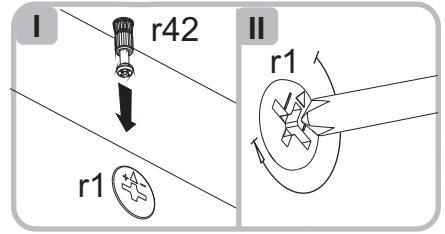
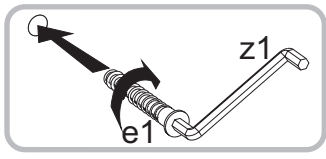
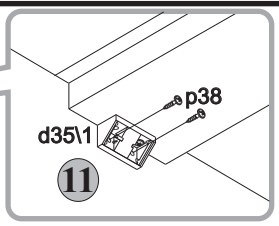
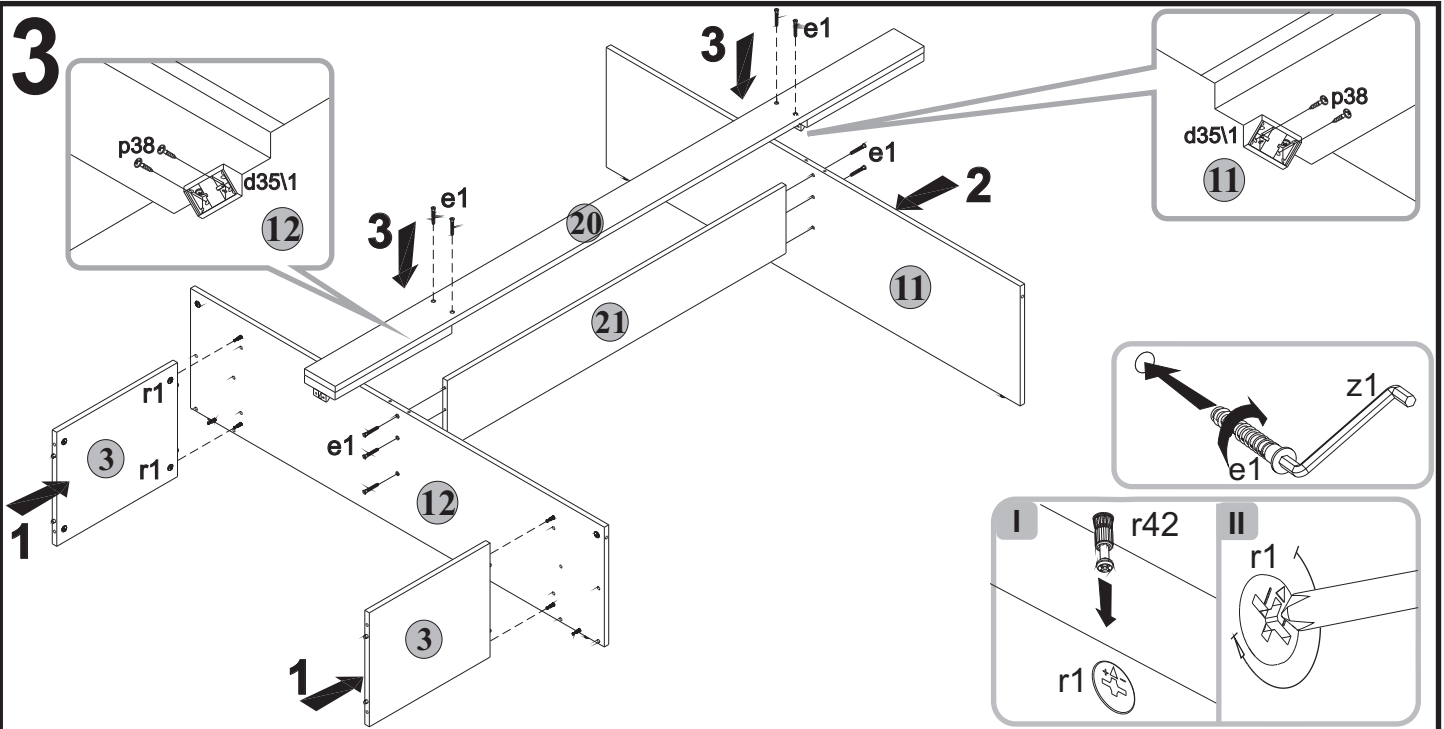
1 

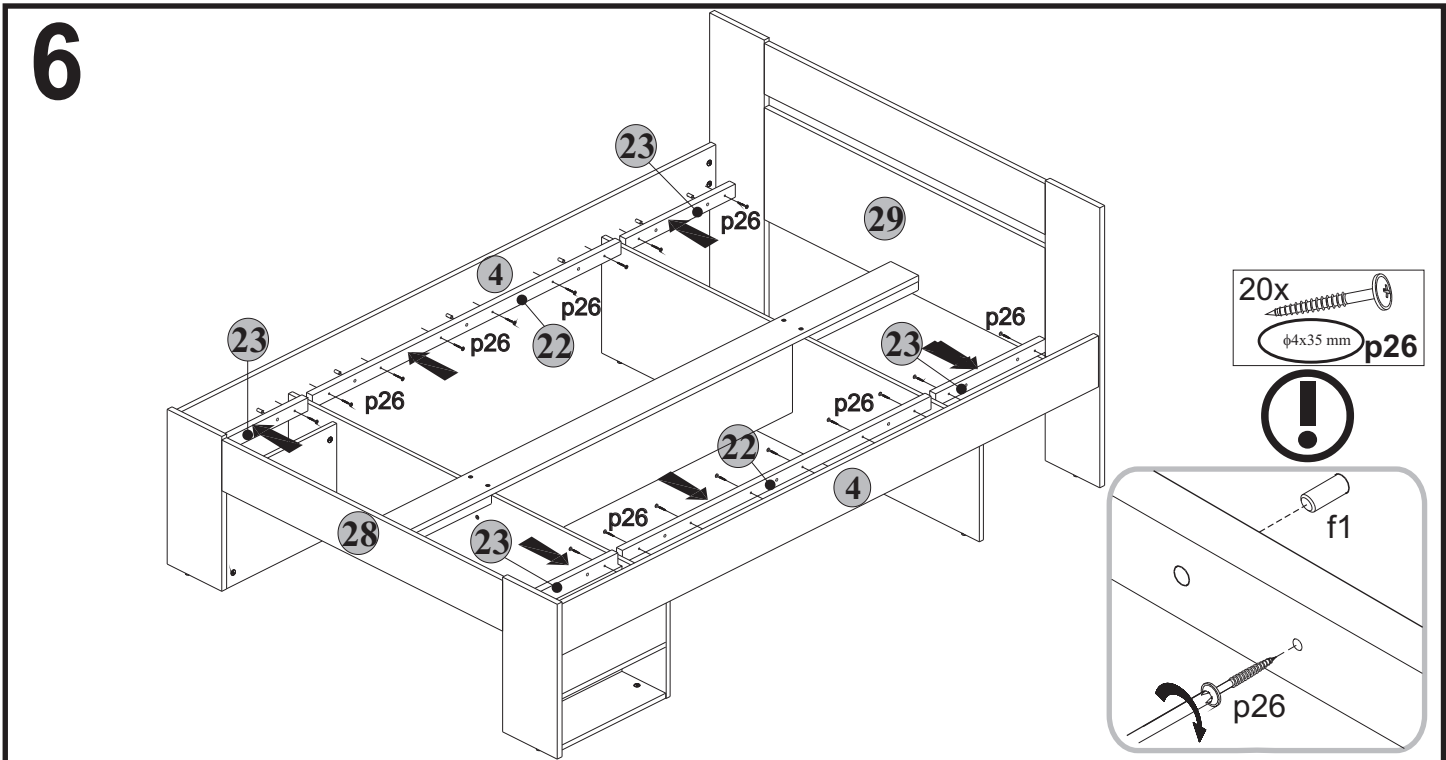
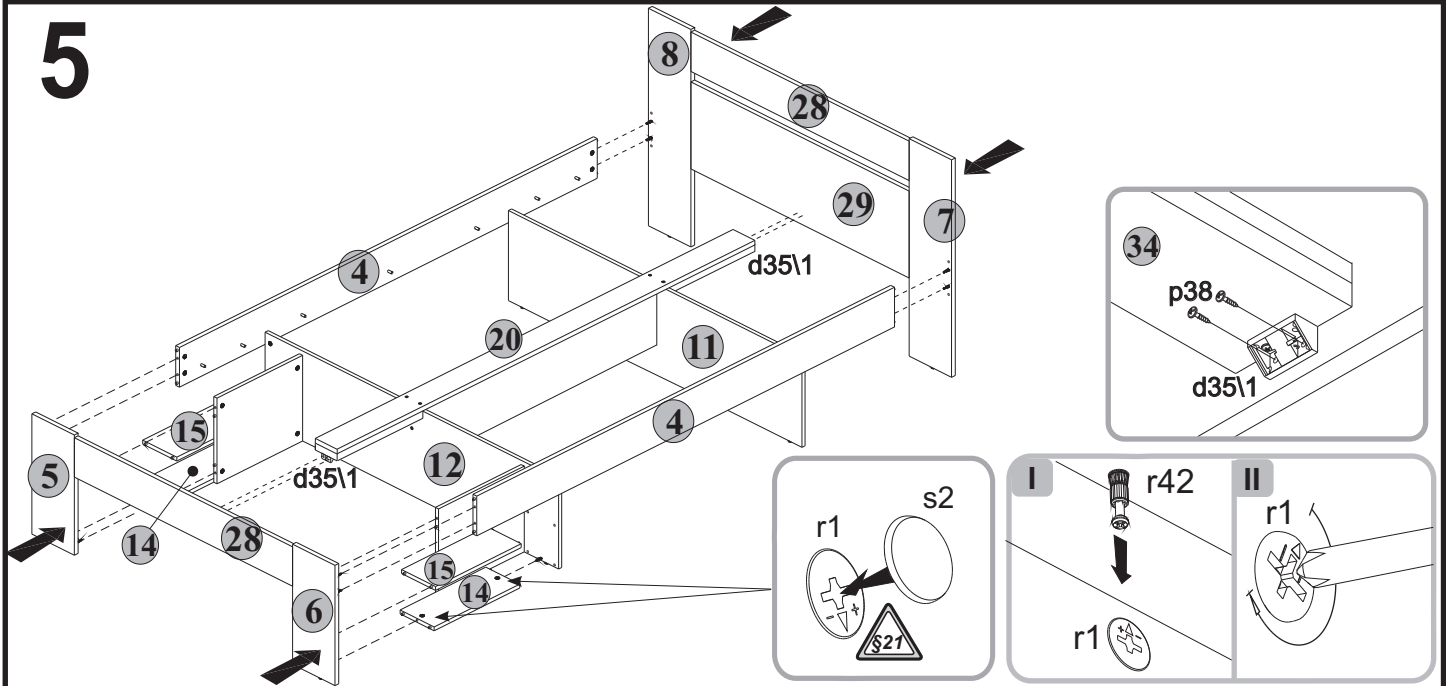
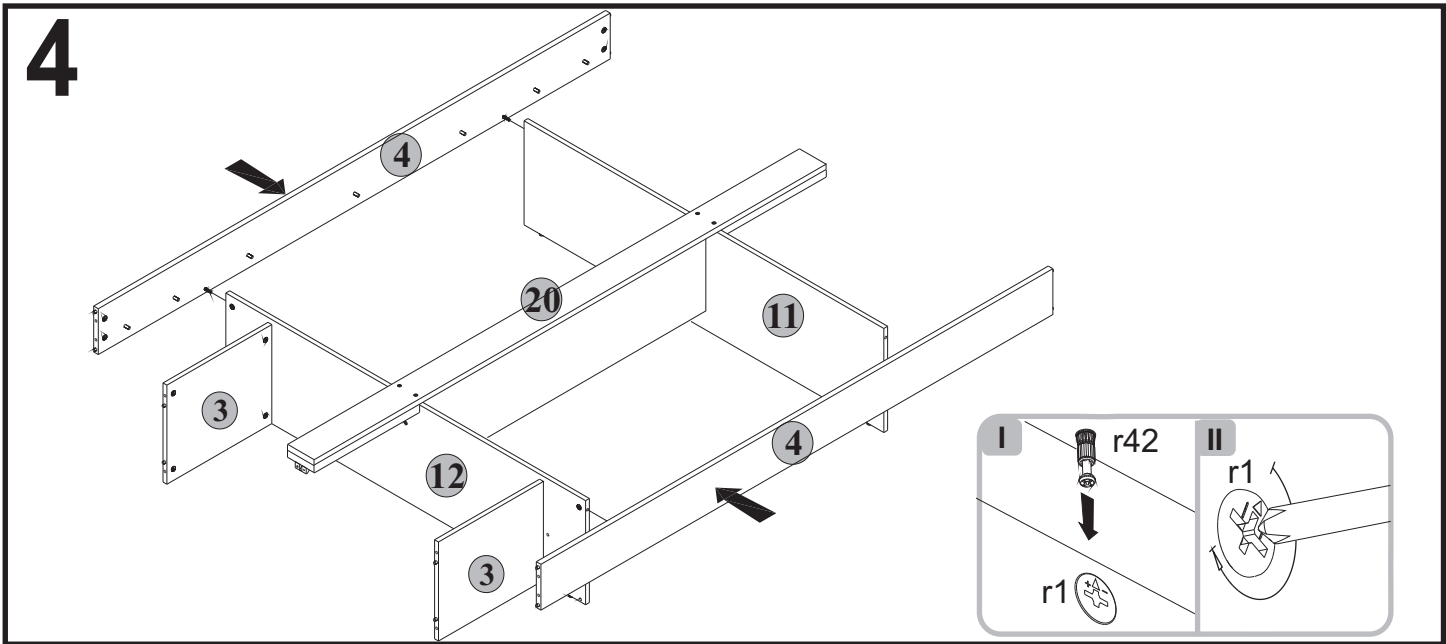


# 2



# 3





# 7

