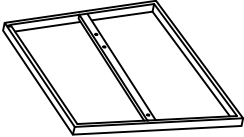
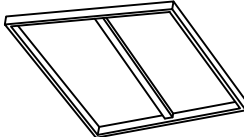
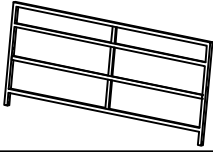
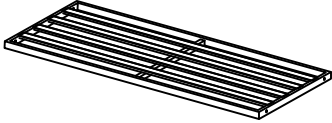
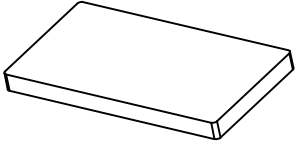
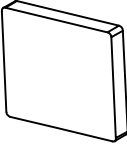



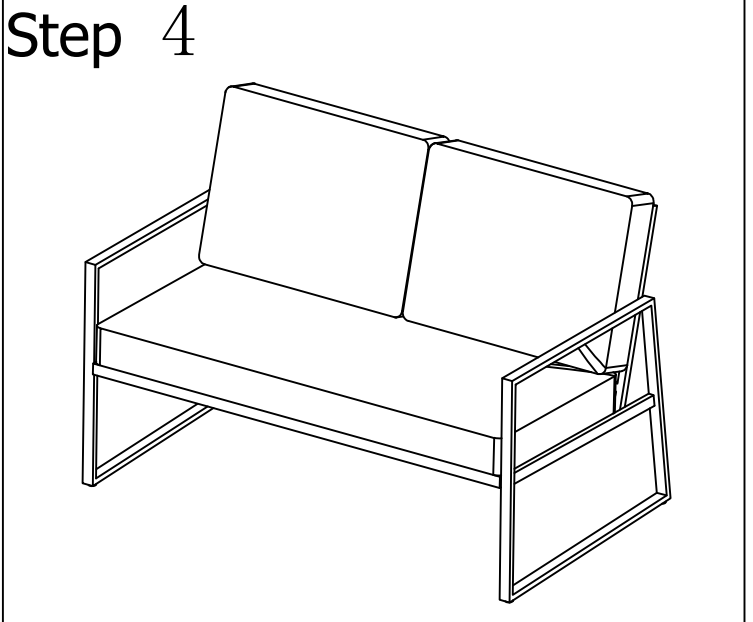
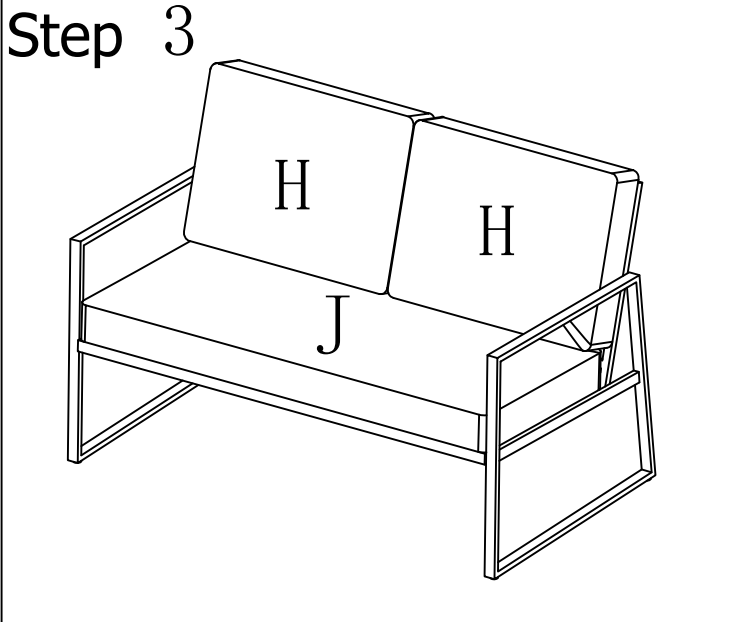
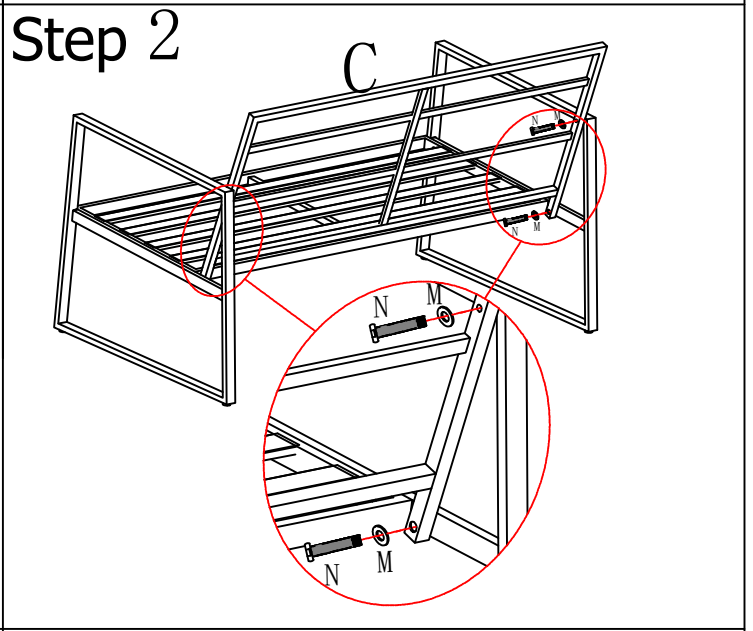
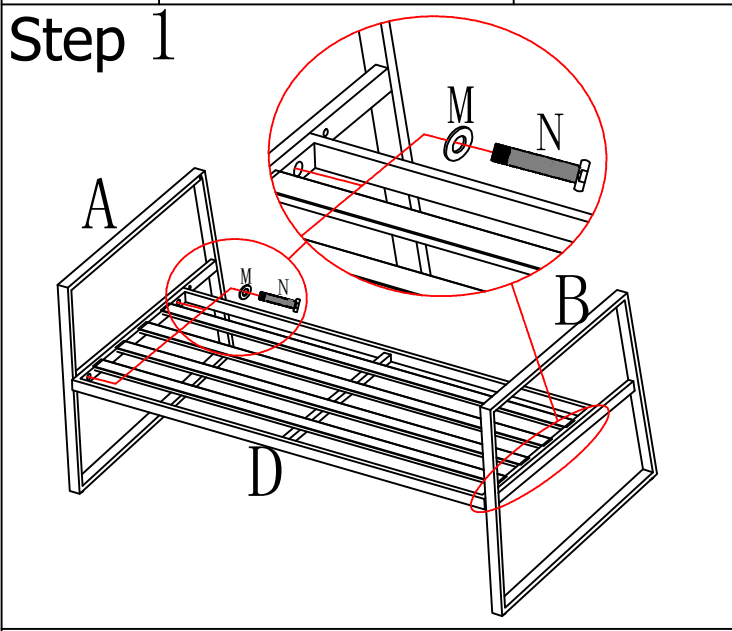
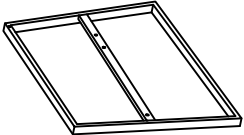
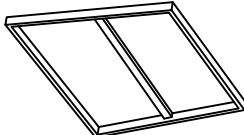
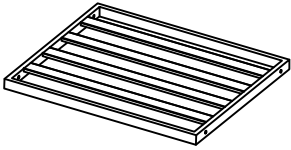
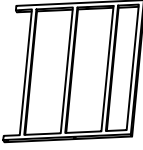
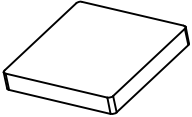
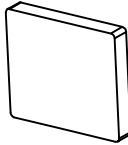

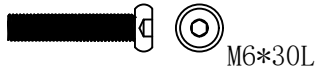
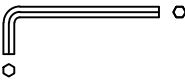


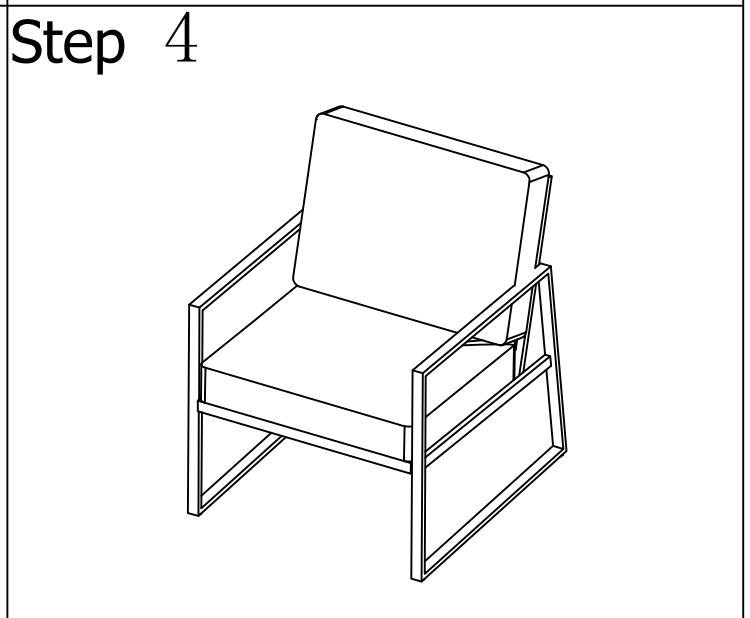
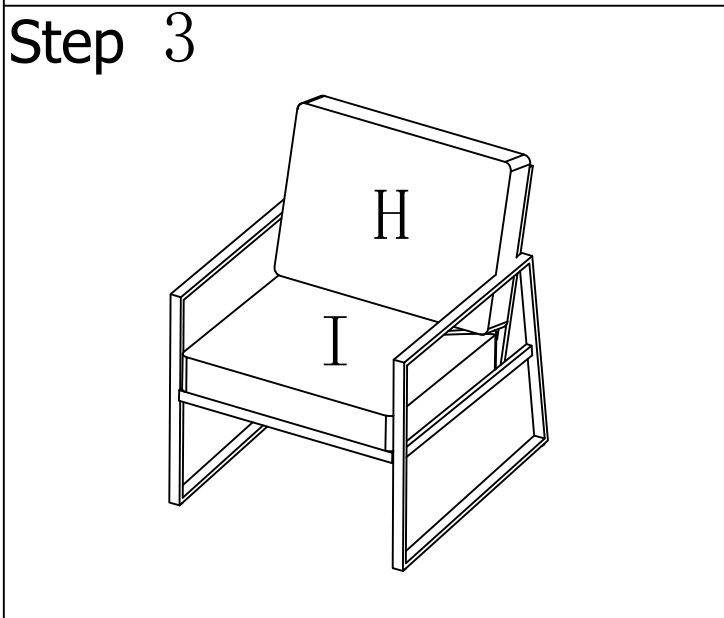
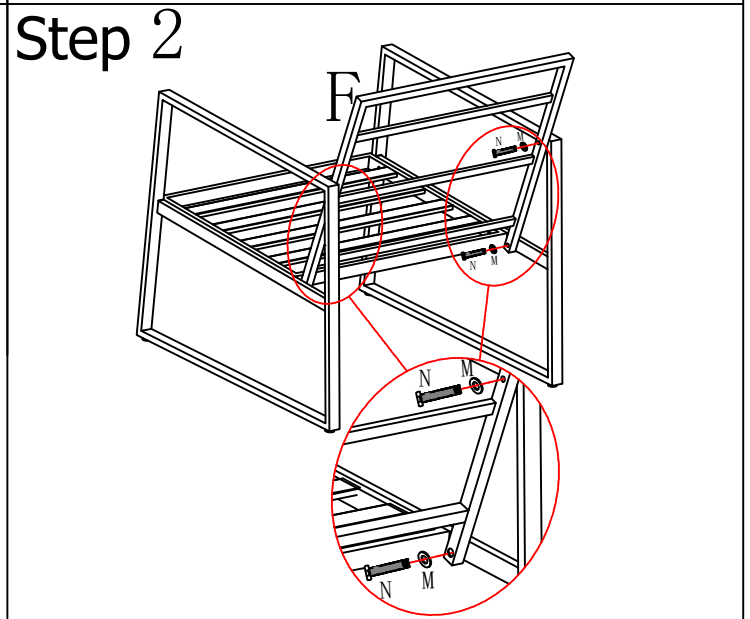
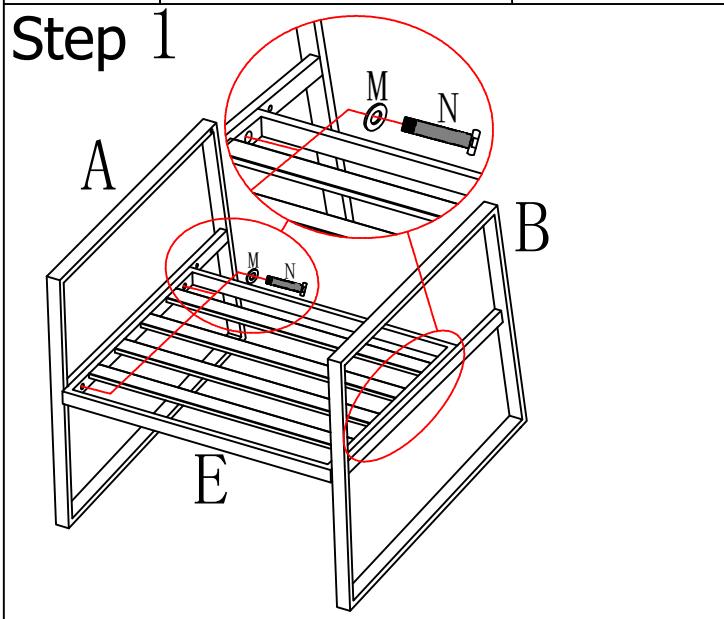
ASSEMBLY INSTRUCTION

NO.	PARTS	Q' TY	NO.	PARTS	Q' TY
A		1PC	B		1PC
C		1PC	D		1PC
J		1PC	H		2PCS
M		8PCS	N		8PCS
P		1PC			

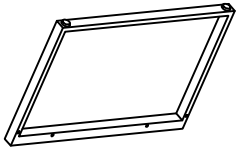
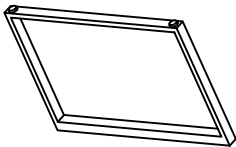
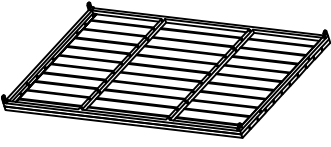





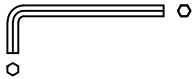


ASSEMBLY INSTRUCTION

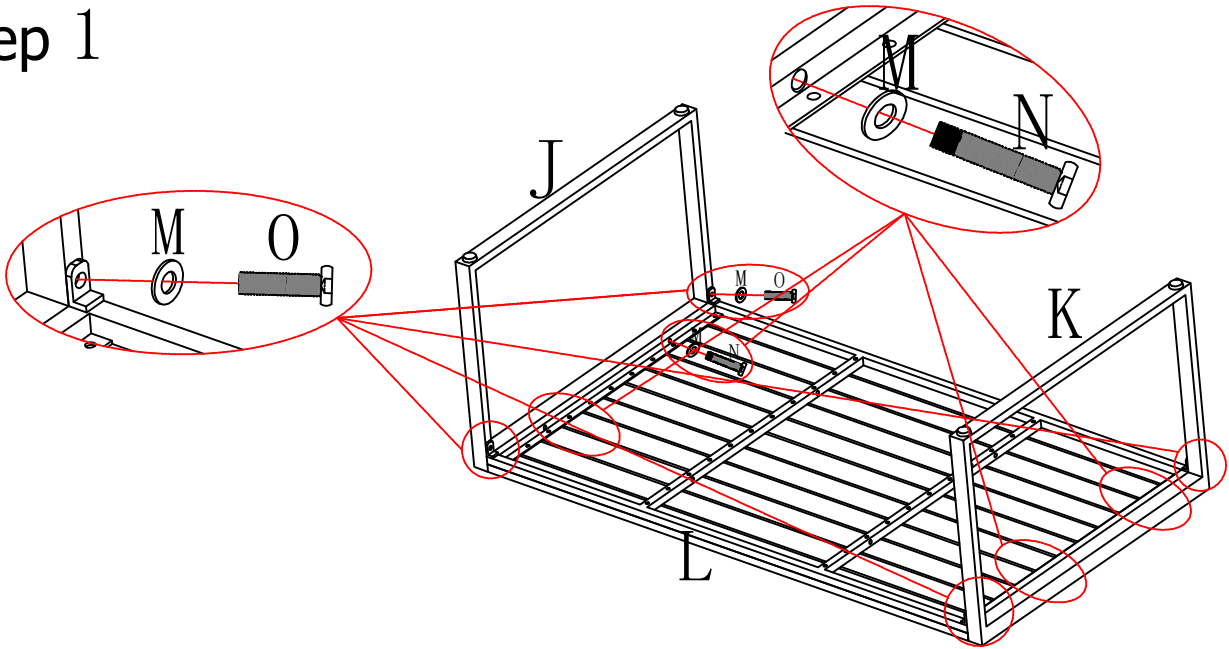
NO.	PARTS	Q' TY	NO.	PARTS	Q' TY
A		1PC	B		1PC
E		1PC	F		1PC
I		1PC	H		1PCS
M		8PCS	N		8PCS
P		1PC			



ASSEMBLY INSTRUCTION

NO.	PARTS	Q' TY	NO.	PARTS	Q' TY
J		1PC	K		1PC
L		1PC	M		8PCS
N	  M6*30L	4PCS	O	  M6*20L	4PCS
P		1PC			

Step 1



Step 2

