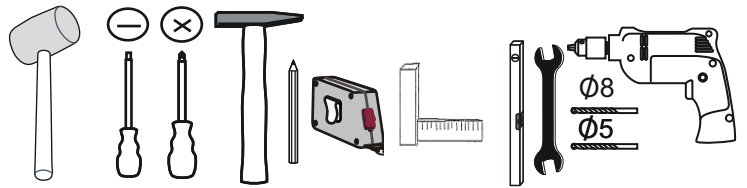
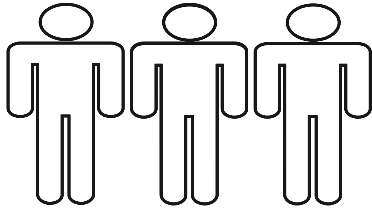
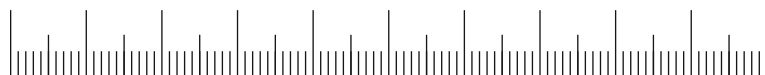


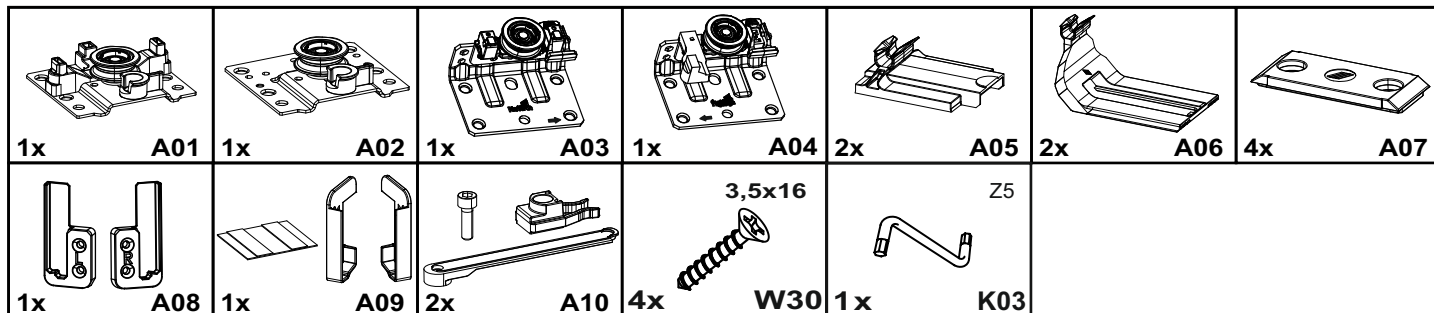
NR	DIM	QTE	COLLI
1	986x515x22	1	1/7
2	986x535x15	1	1/7
3	827x50x15	2	1/7
4	827x50x15	2	1/7
5	986x50x15	1	1/7
6	986x50x15	1	1/7
7	986x535x15	1	1/7
8	827x535x15	2	2/7
9	827x515x22	2	2/7
10R	827x535x15	1	2/7
10L	827x535x15	1	2/7
11	2095x551x15	1	3/7
12	2033x2x993	1	3/7
13	2095x580x15	1	3/7
14	2094x535x15	2	4/7
15	2033x834x2	2	4/7
16	1365x341,5x15	2	5/7;6/7
17	1365x341,5x15	6	5/7;6/7
18	1365x341,5x15	4	5/7;6/7



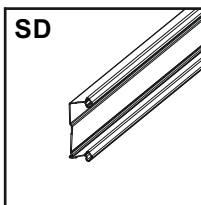
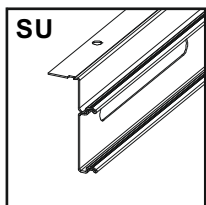
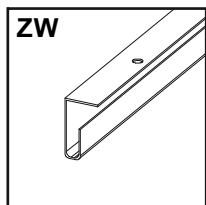
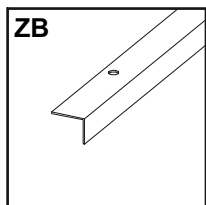
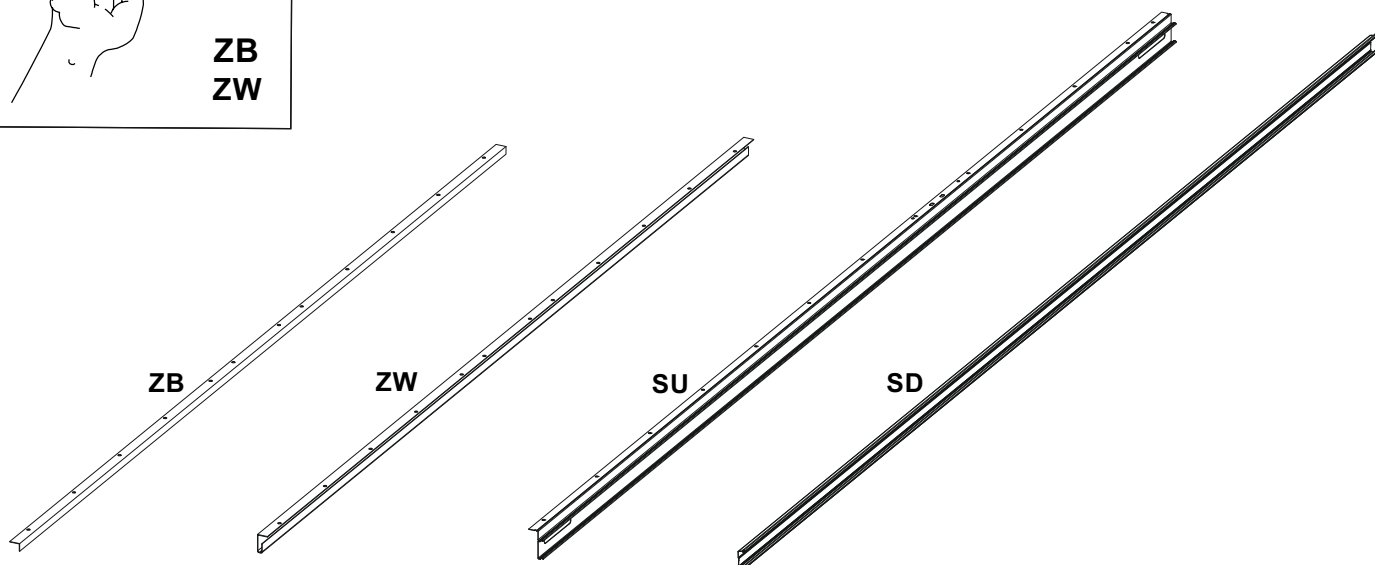
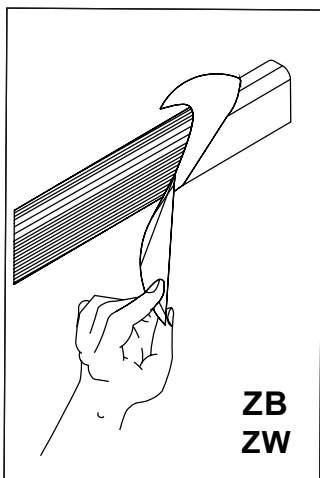
 48x T05	 48x T04	 18x W16	 18x C02	 24x R02	 24x W20	 20x S01
 6x E03	 214x W02	 24x W12	 12x W49	 30x W08	 3x Za2	 1x K02
 2x F01	 2x F11	 2x F13	 4x W07	 1x J01	 2x J02	 4x KL2

0 10 20 30 40 50 60 70 80 90 100





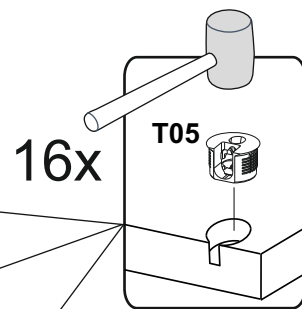
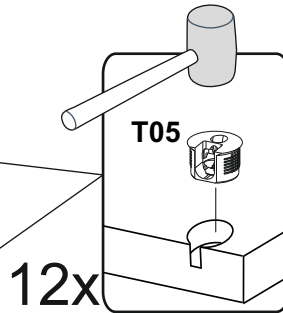
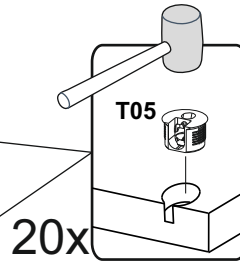
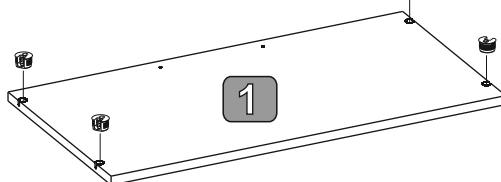
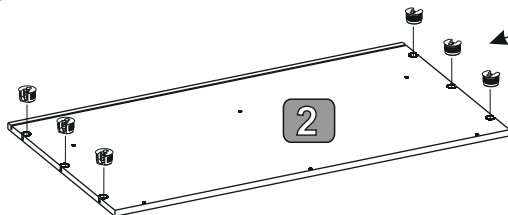
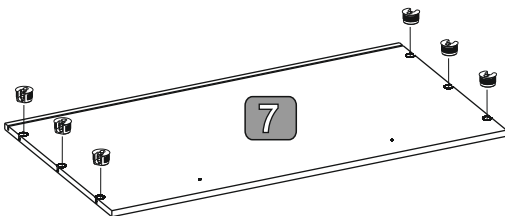
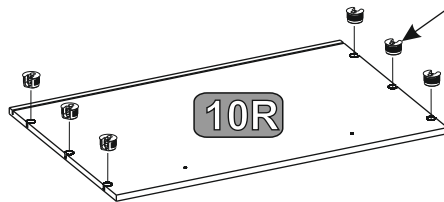
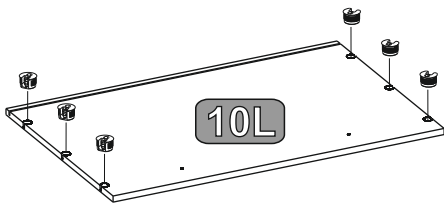
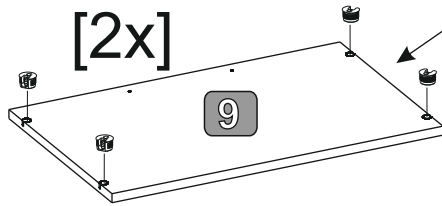
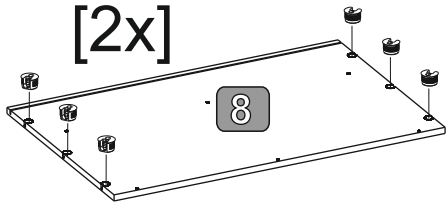
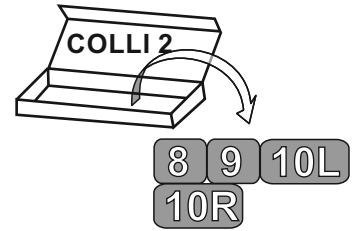
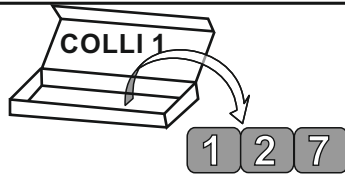
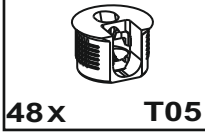
NR	DIM	QTE	COLLI
ZB	L-2050	1	7/7
ZW	L-2050 H-37	3	7/7
SU	L-2668	1	7/7
SD	L-2664	1	7/7



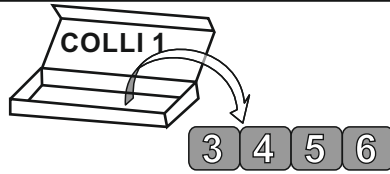
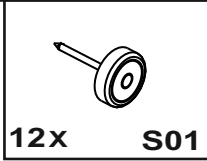
0 10 20 30 40 50 60 70 80 90 100



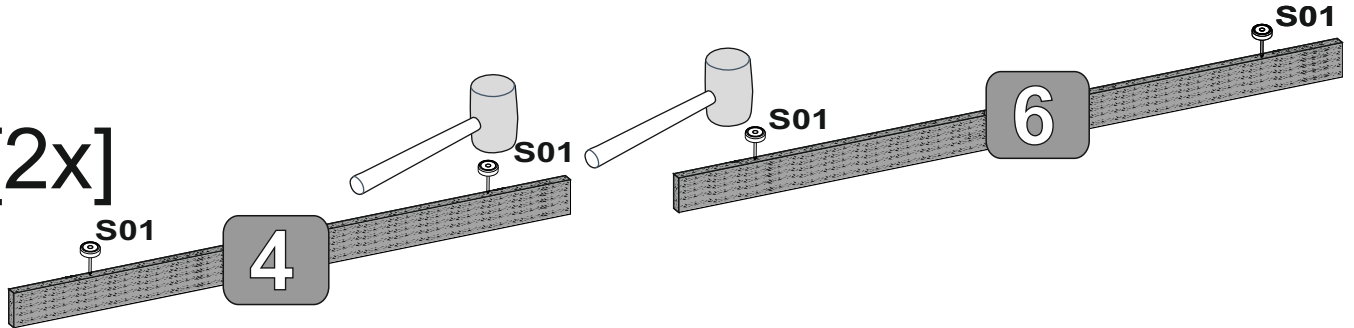
1



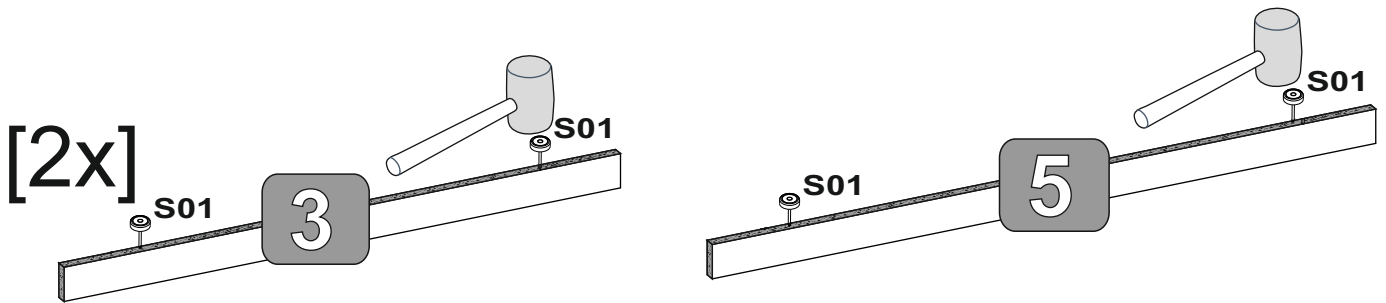
2



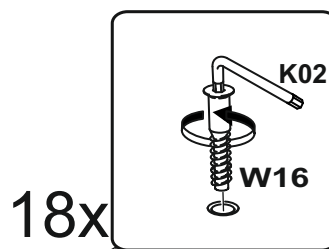
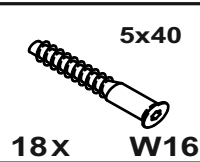
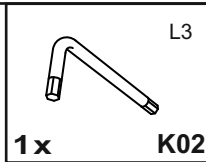
[2x]



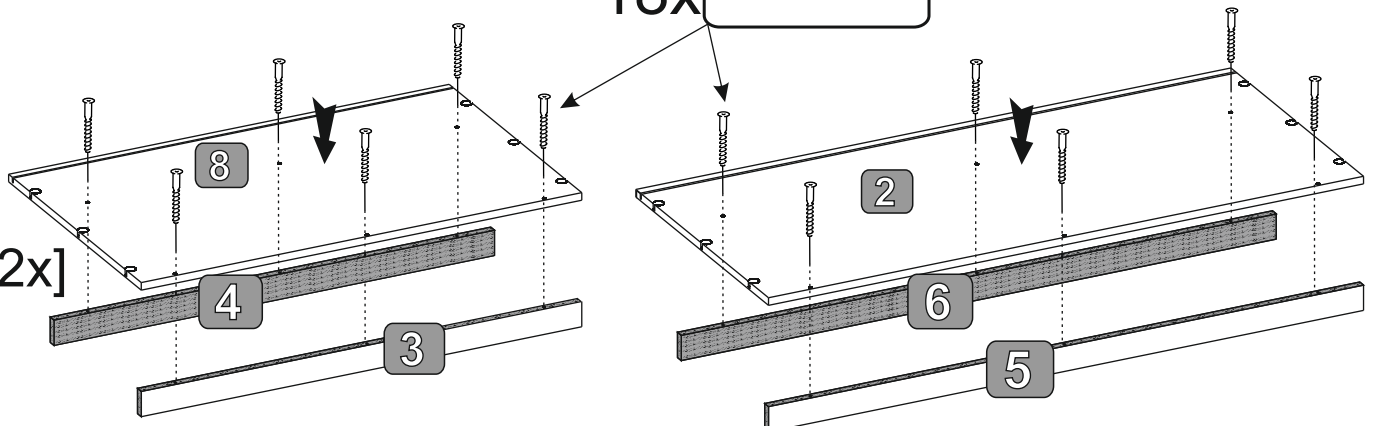
[2x]







3

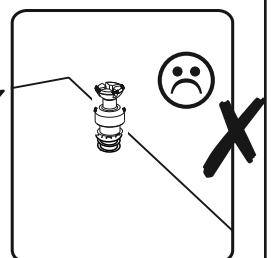
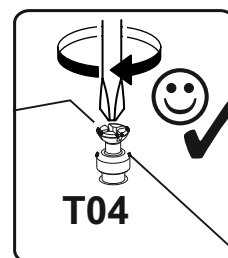
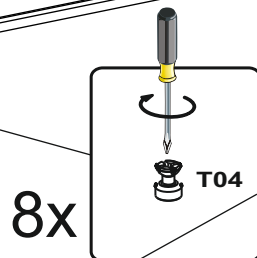
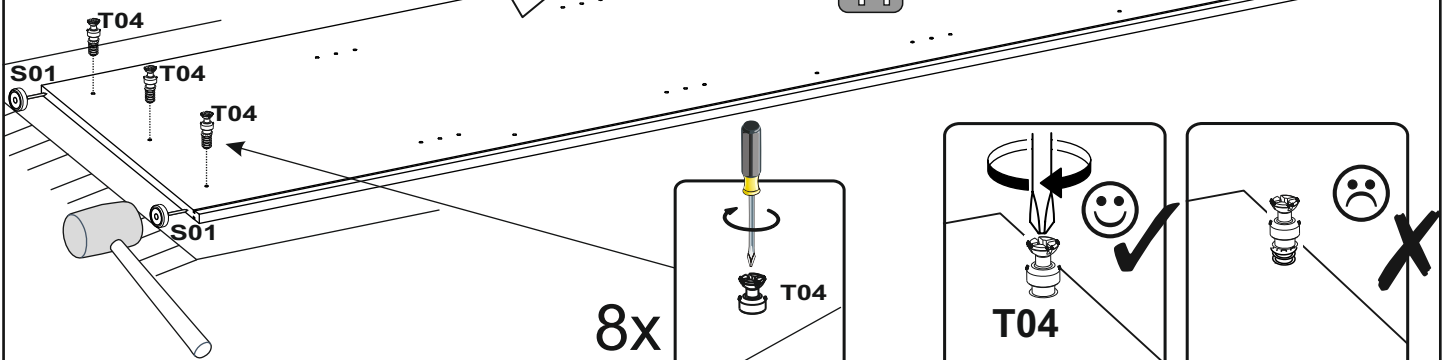
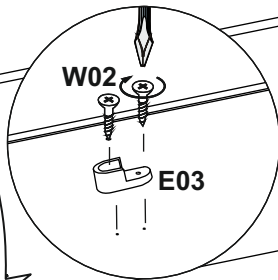
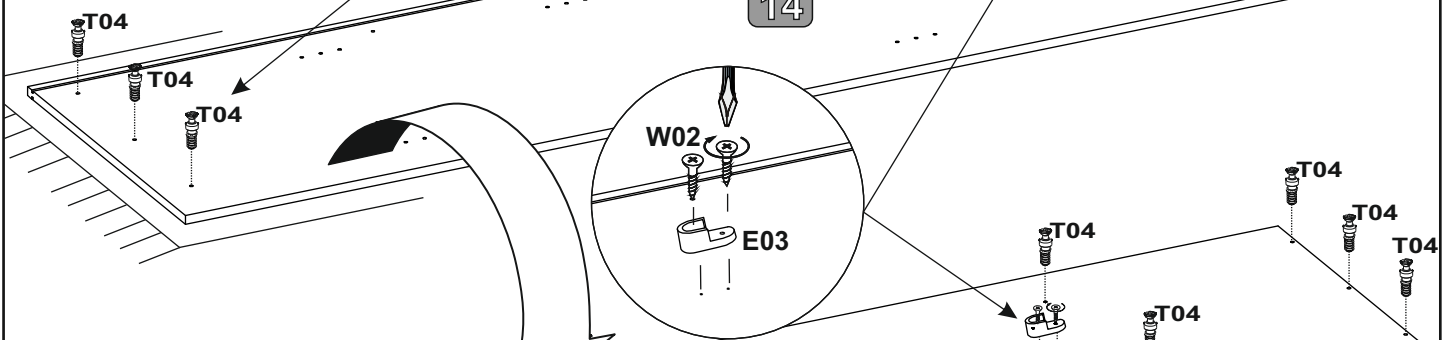
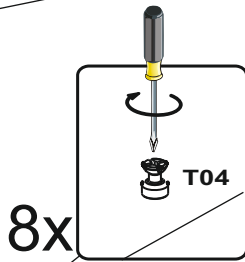
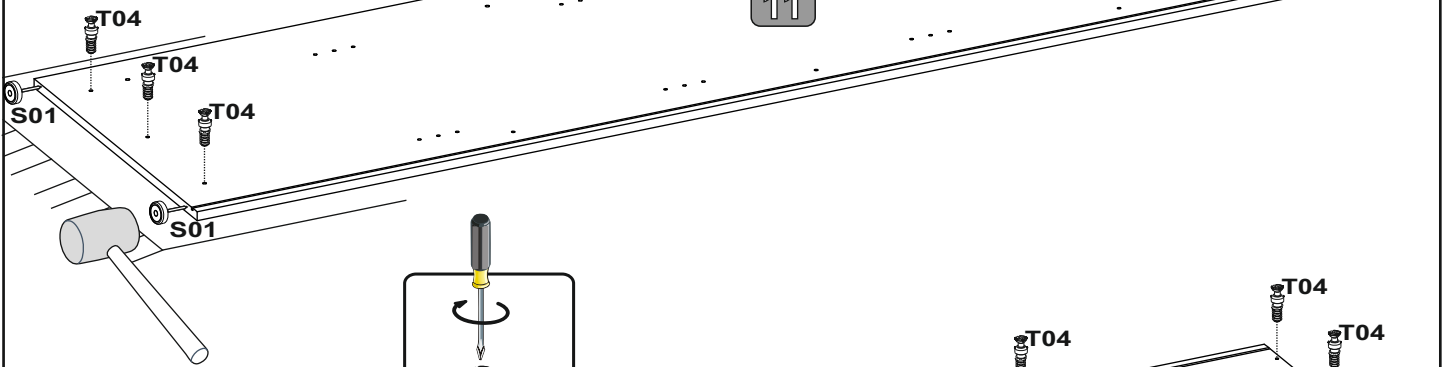
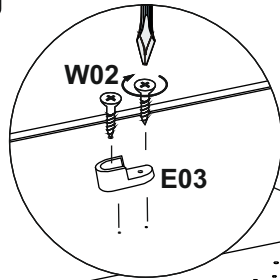
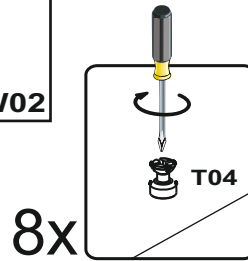
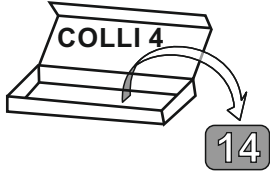
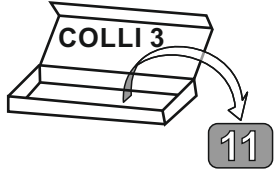


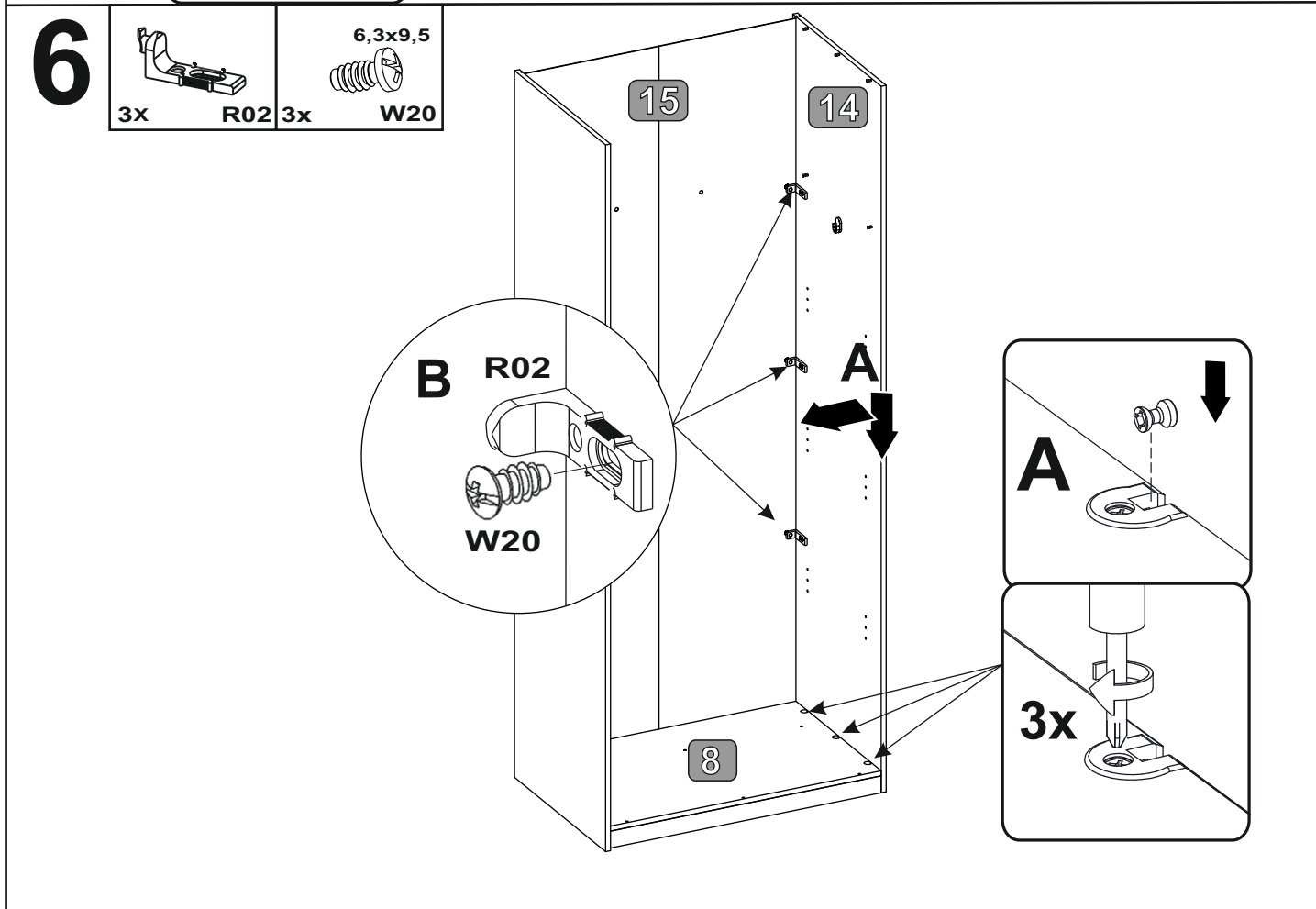
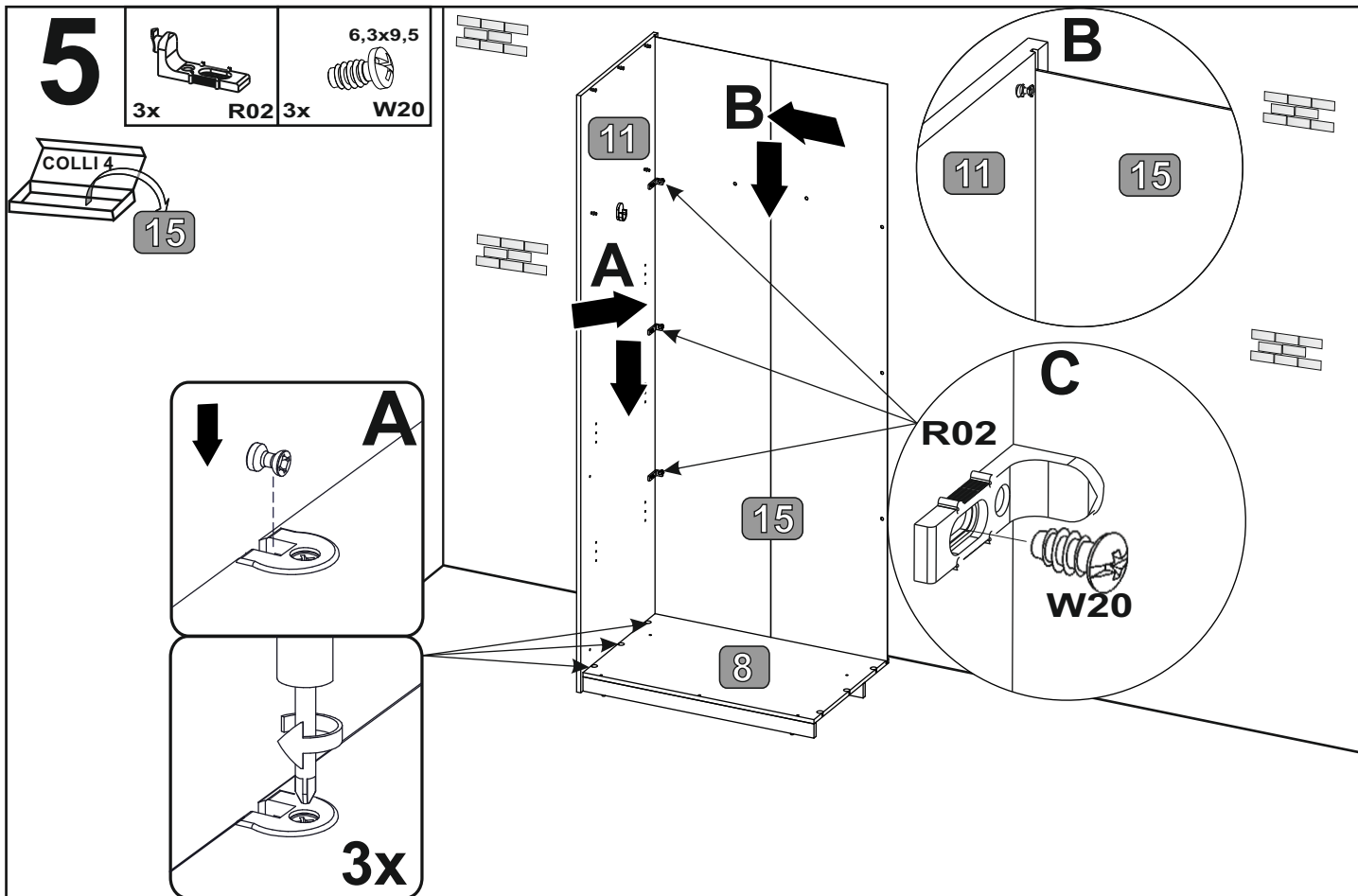
[2x]



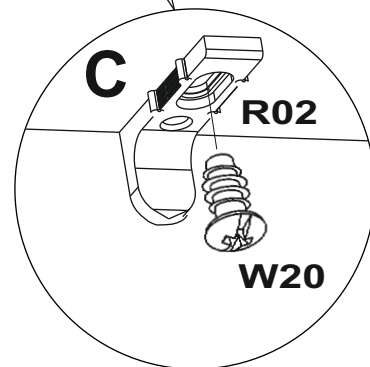
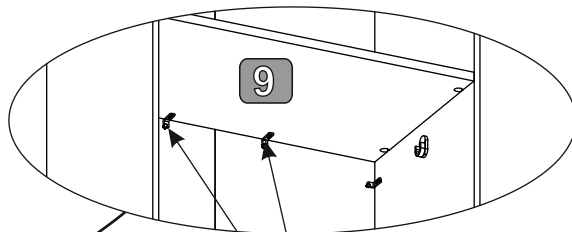
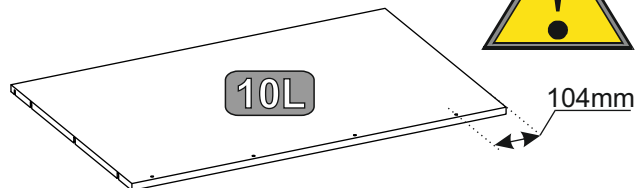
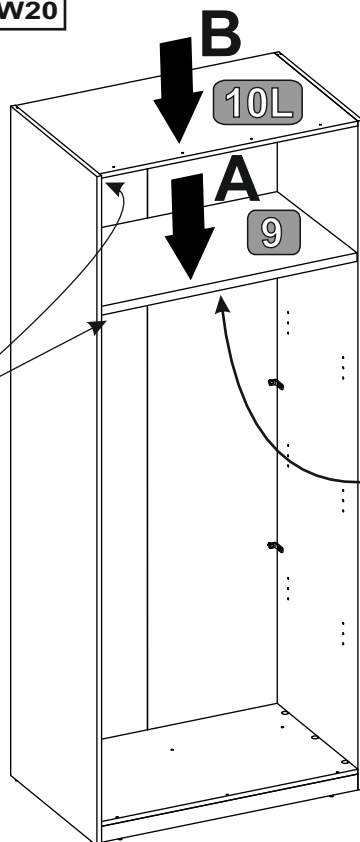
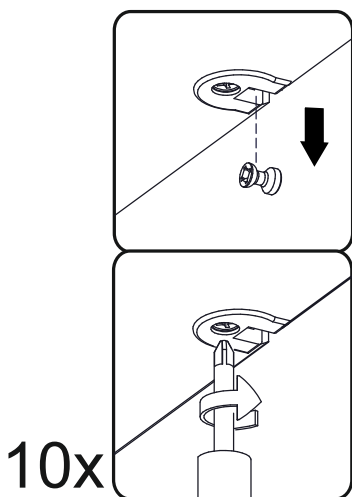
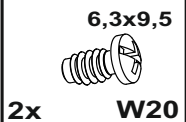
4

 4x S01	 24x T04	 3x E03	 6x W02
---	--	---	---

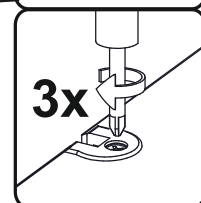
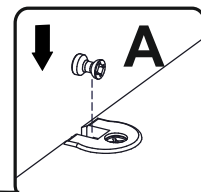
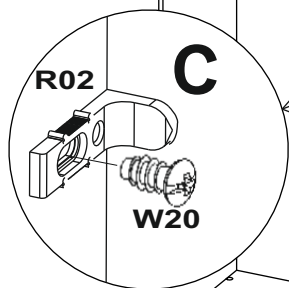
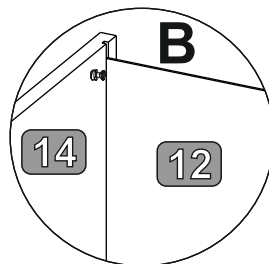
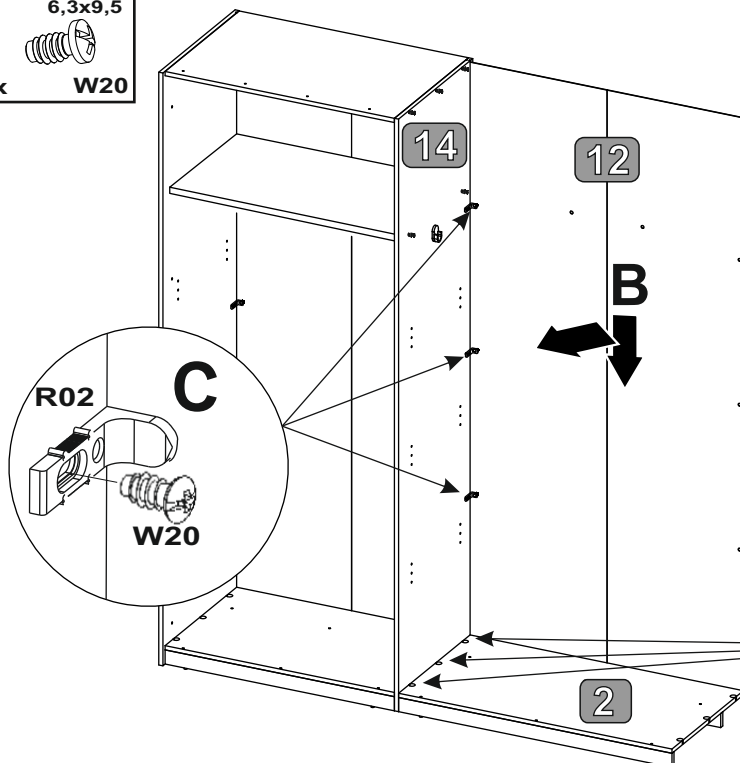
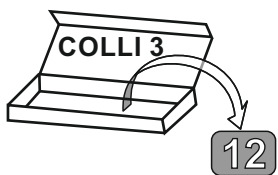




7

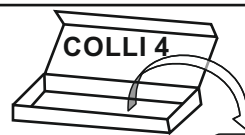
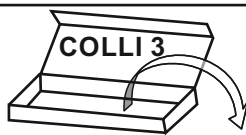
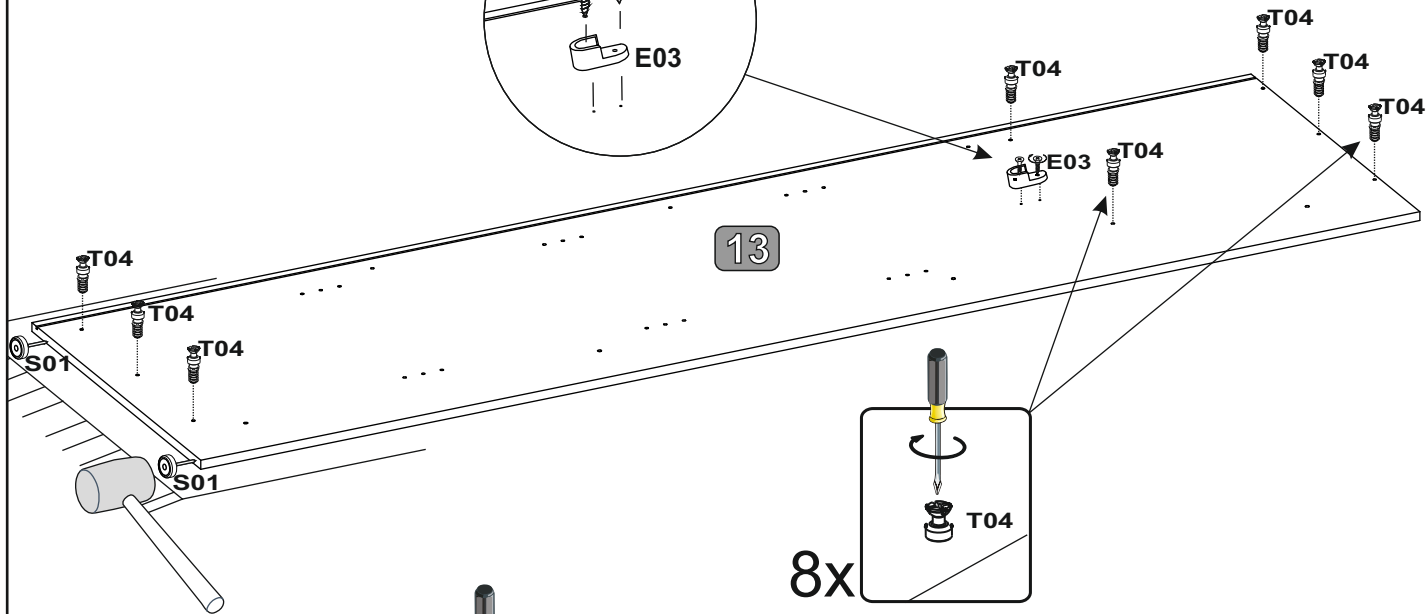
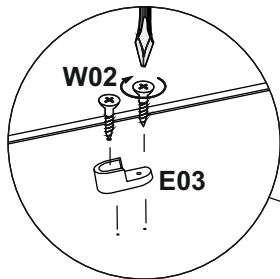
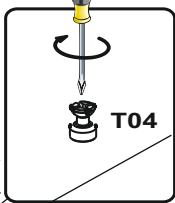
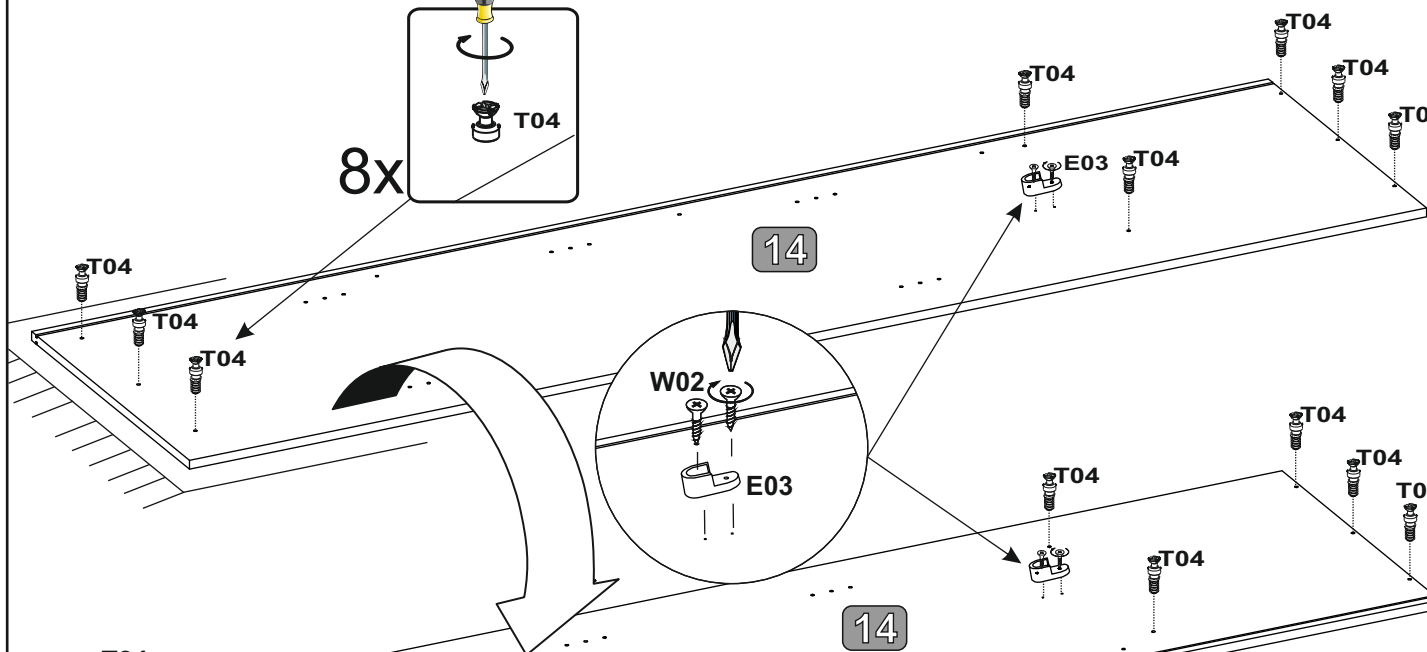
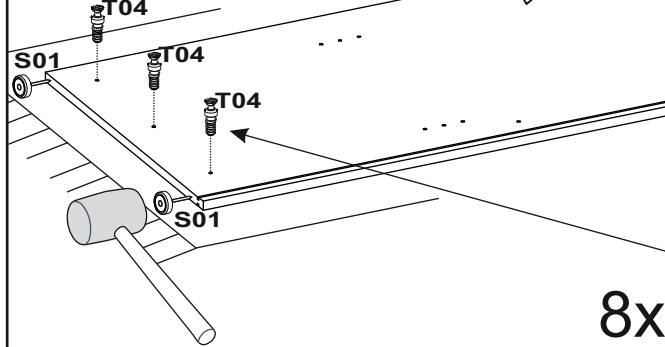
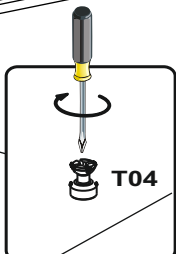
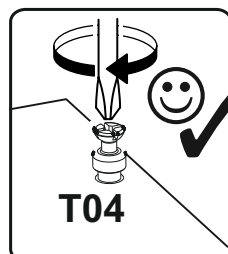
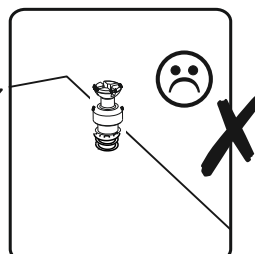


8

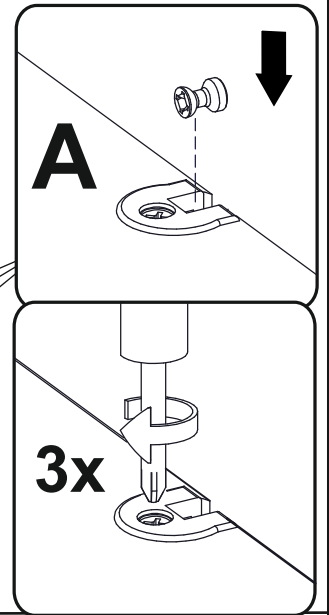
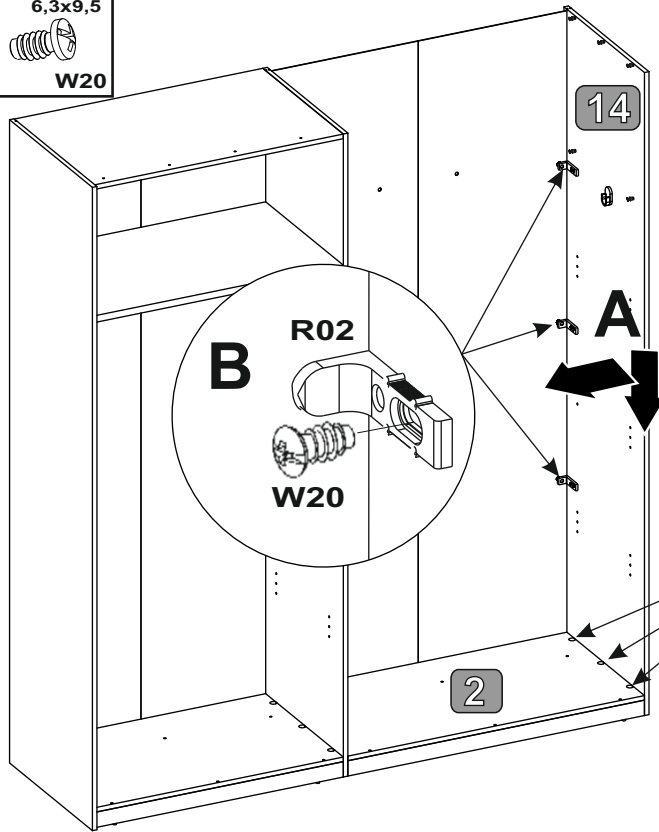
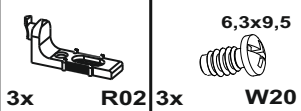


9

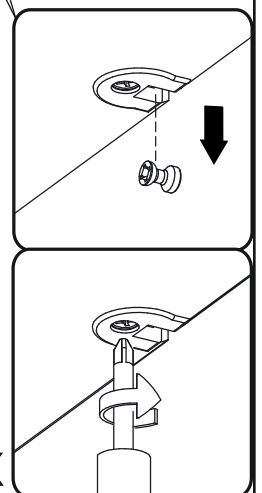
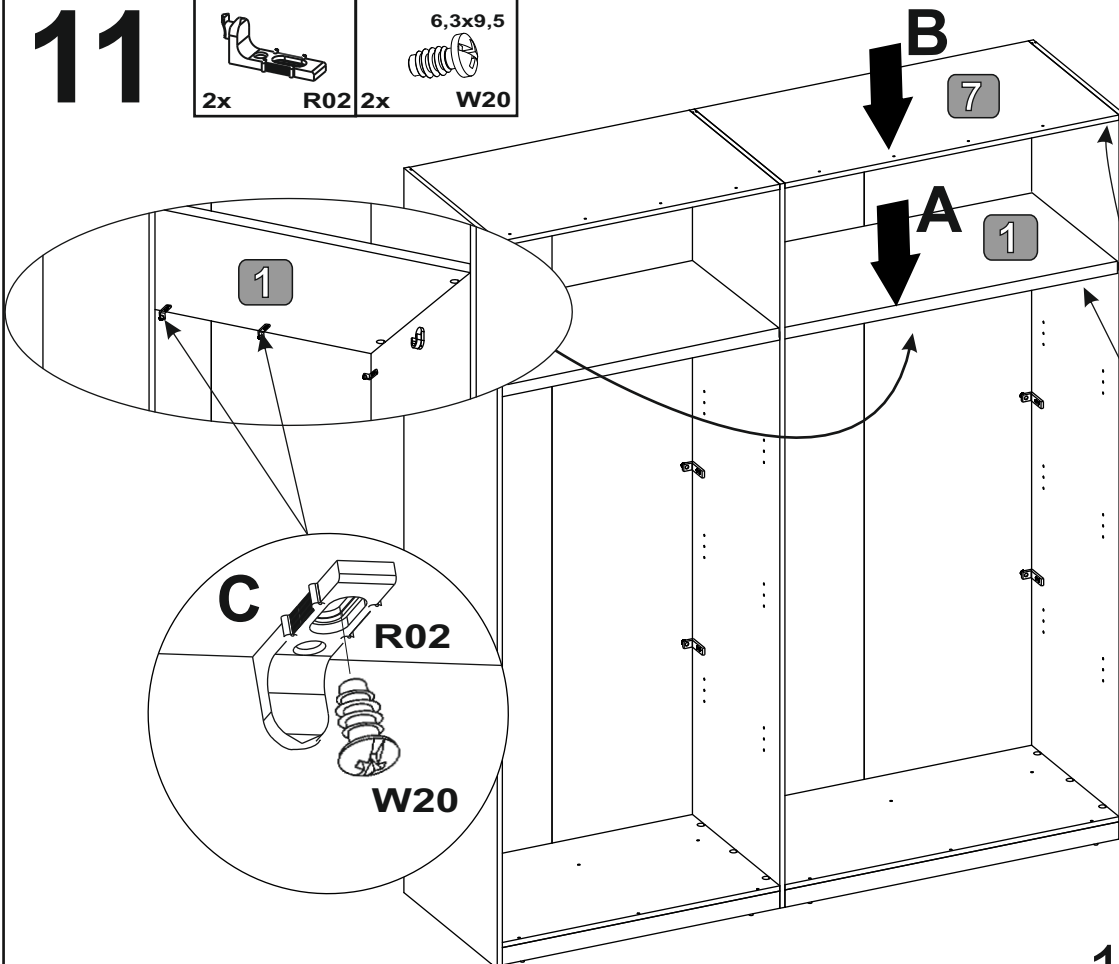
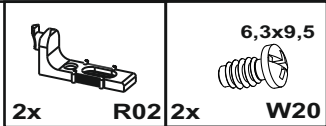
- 4x S01
- 24x T04
- 3x E03
- 6x W02 (3,5x13)

**13****14****13****8x****8x****14****14****8x****8x****T04**

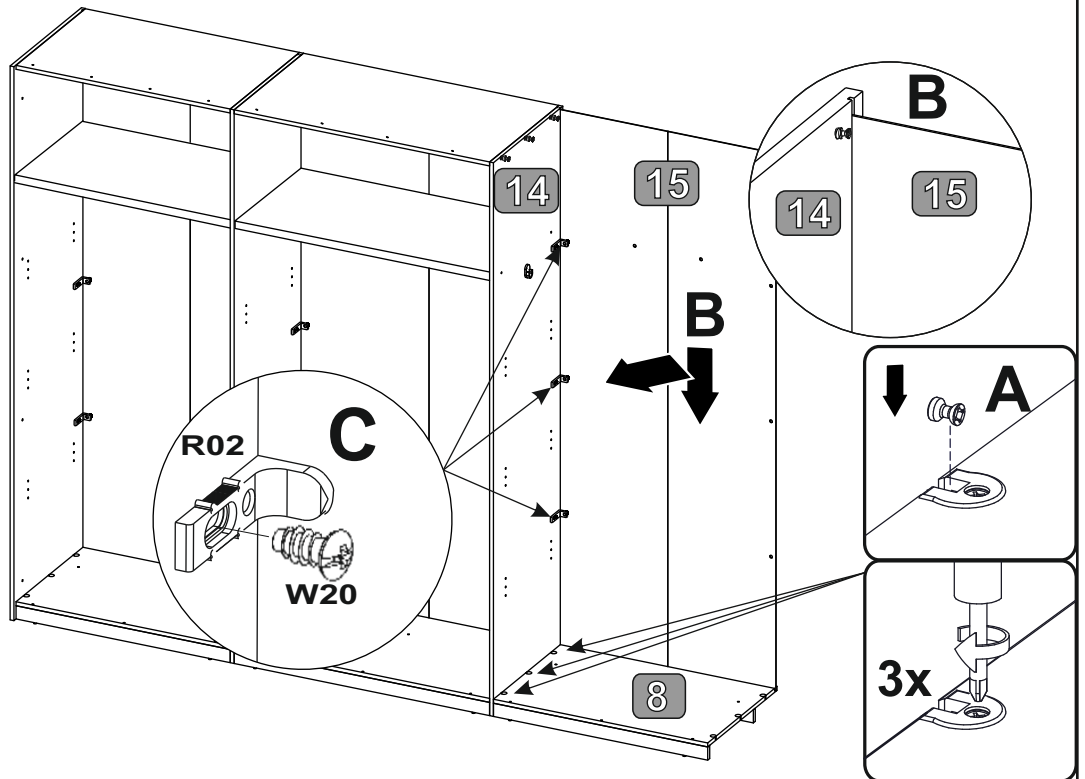
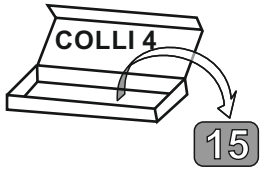
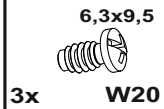
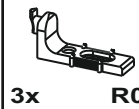
10



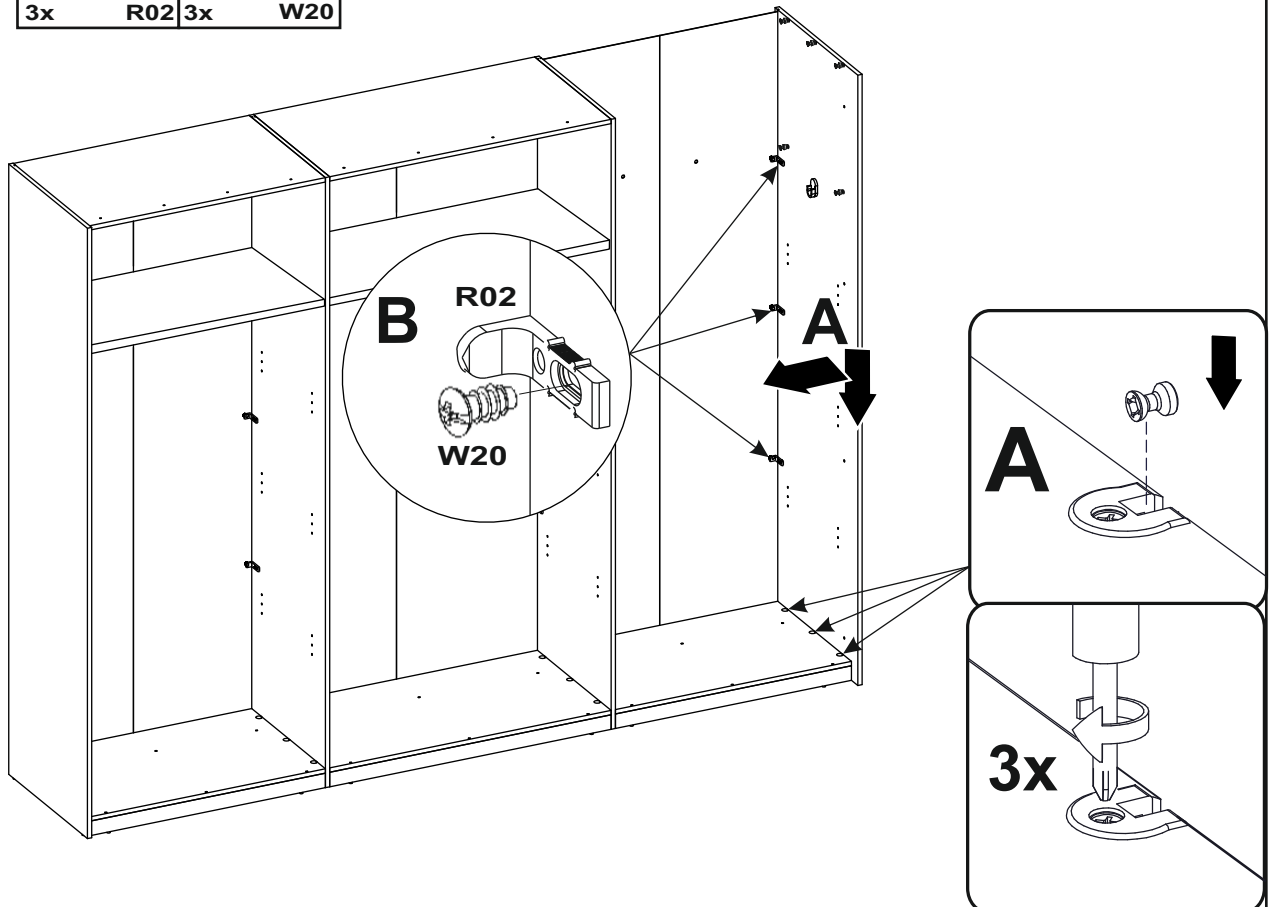
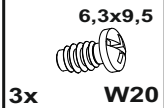
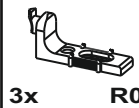
11



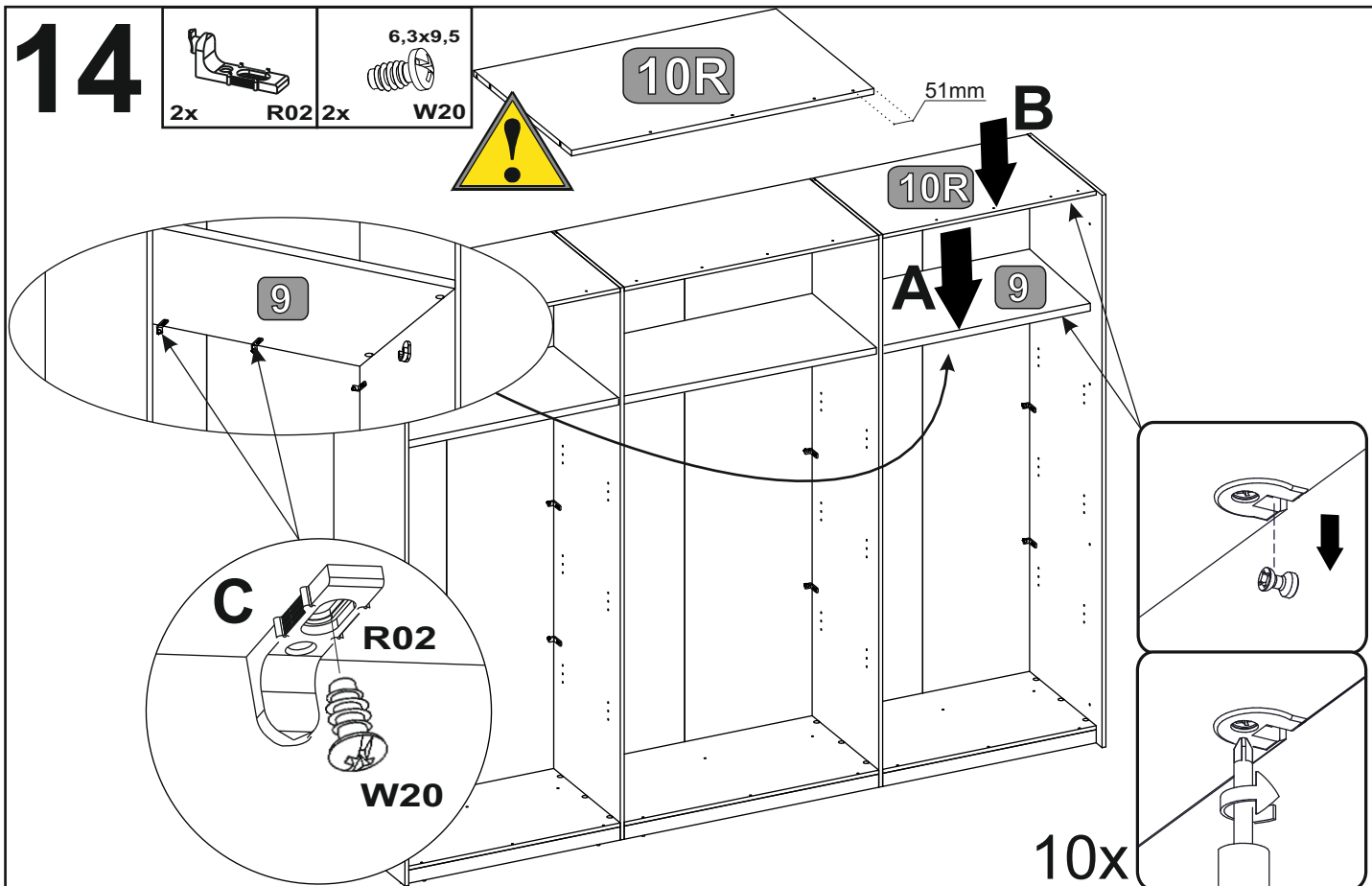
12



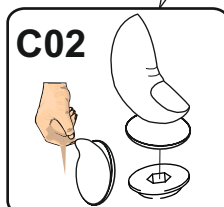
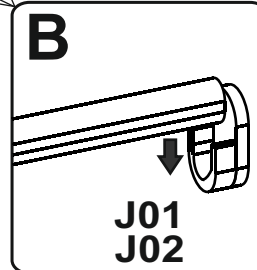
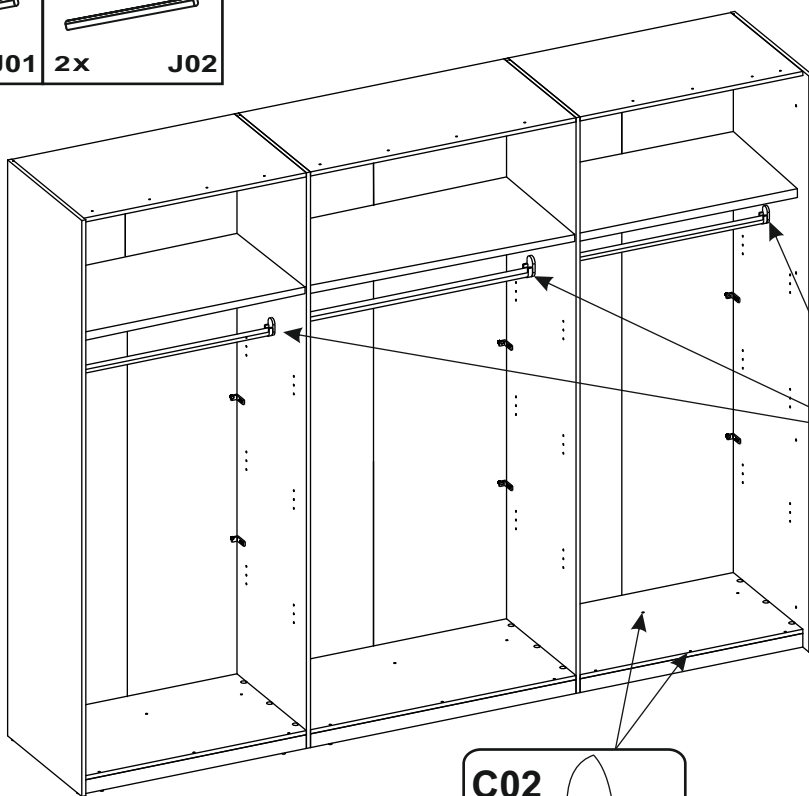
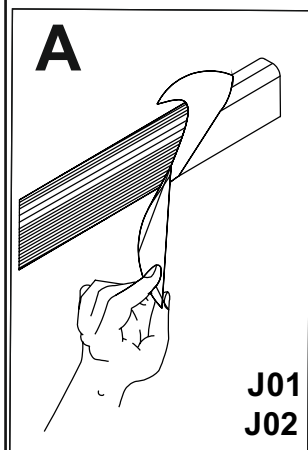
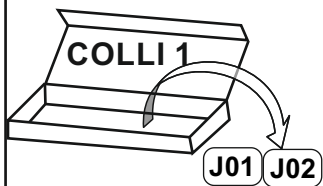
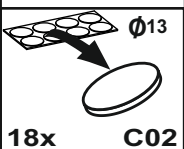
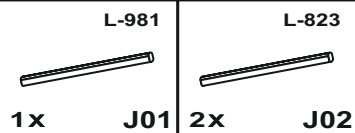
13



14



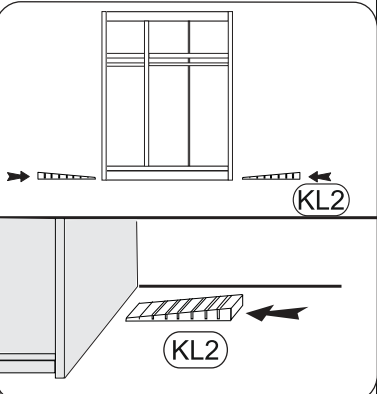
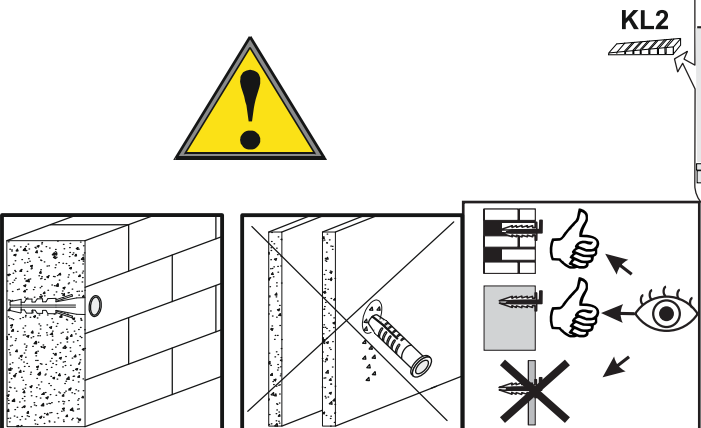
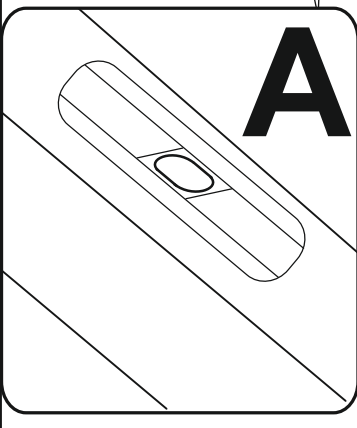
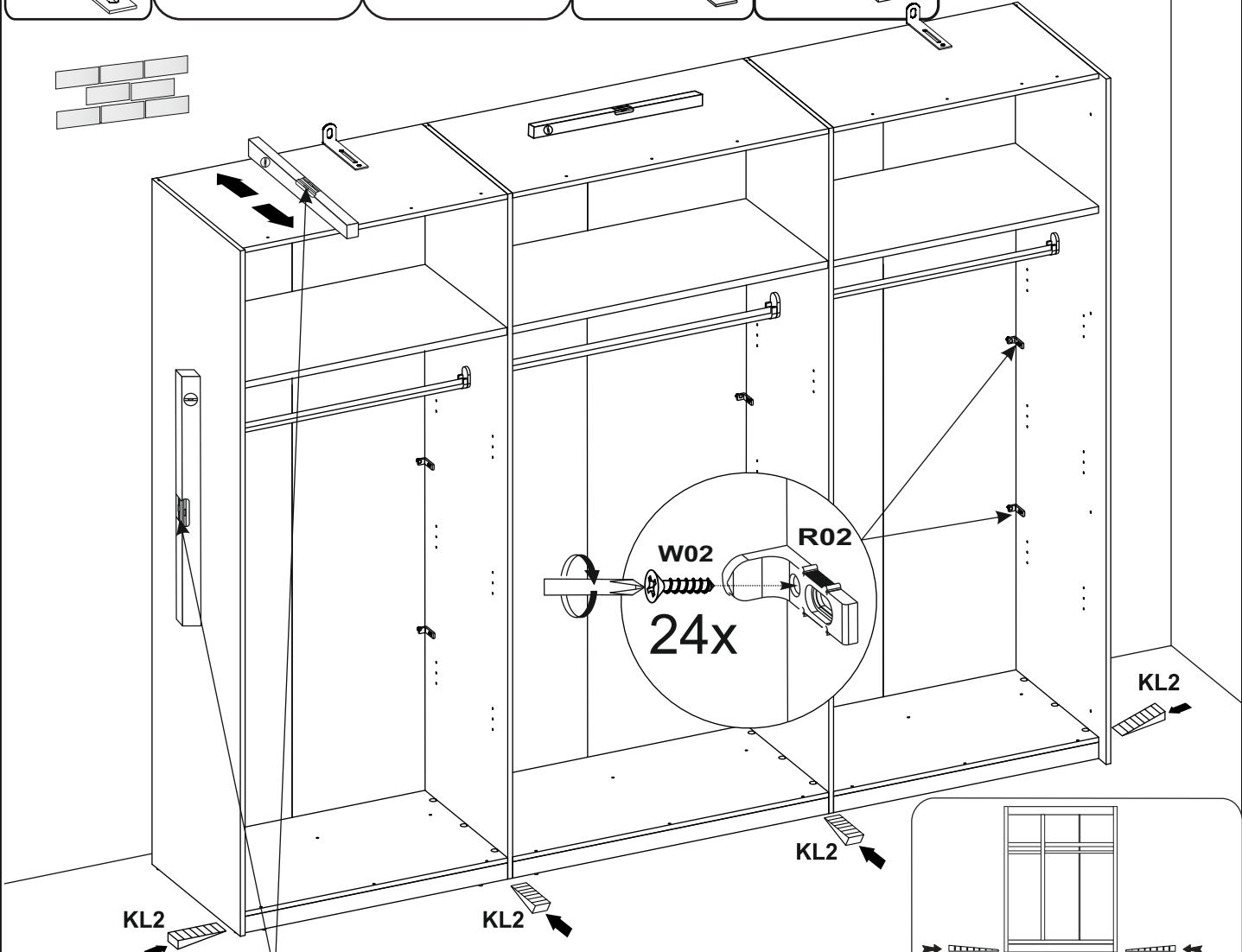
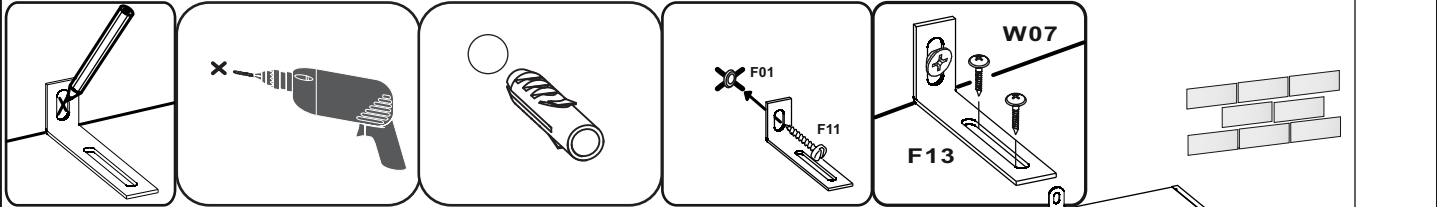
15



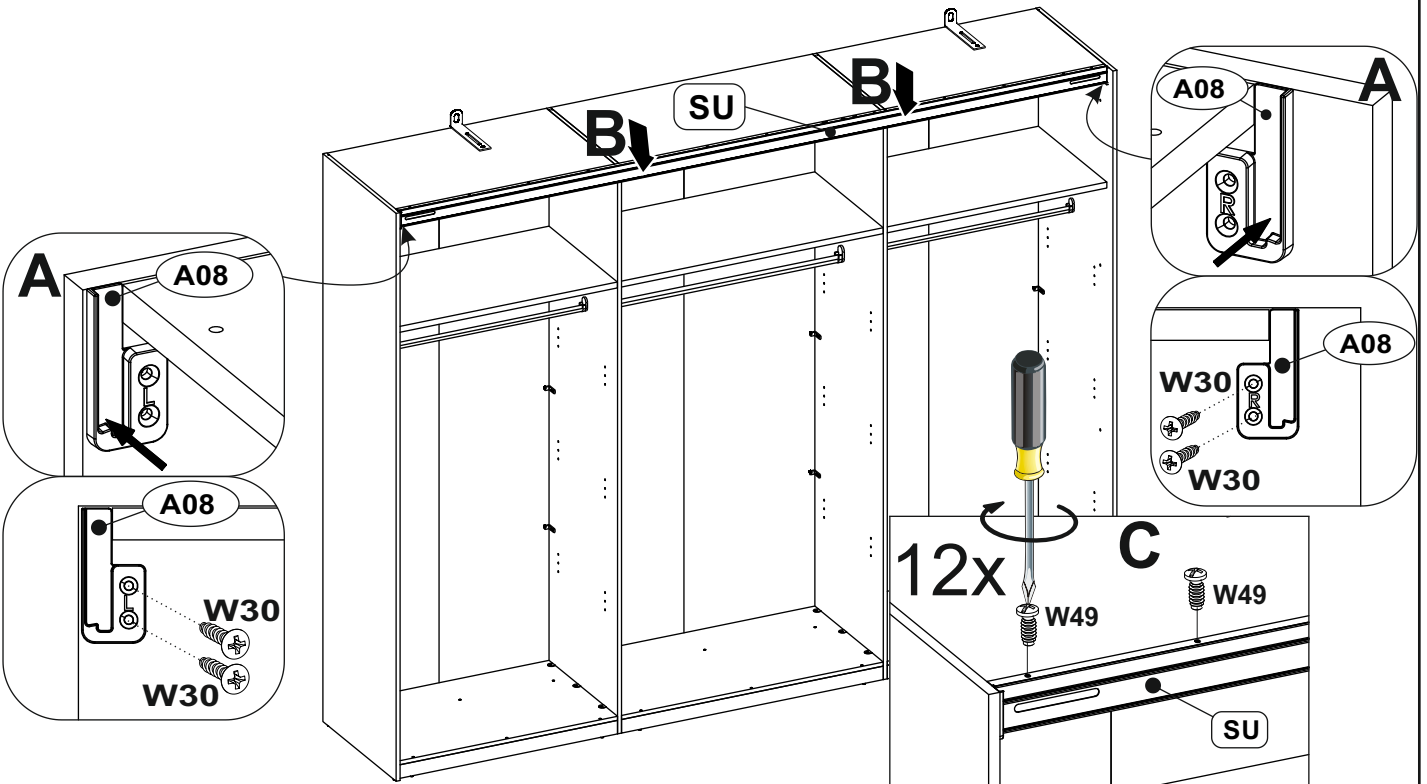
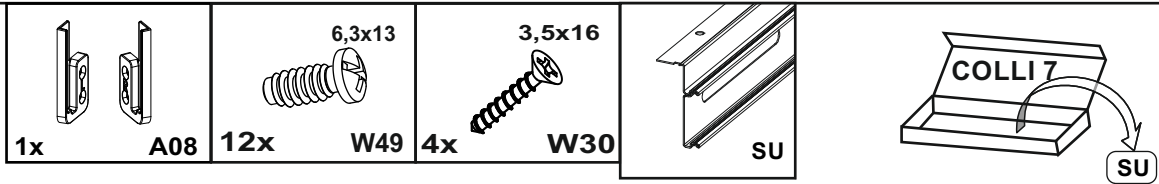
18x

16

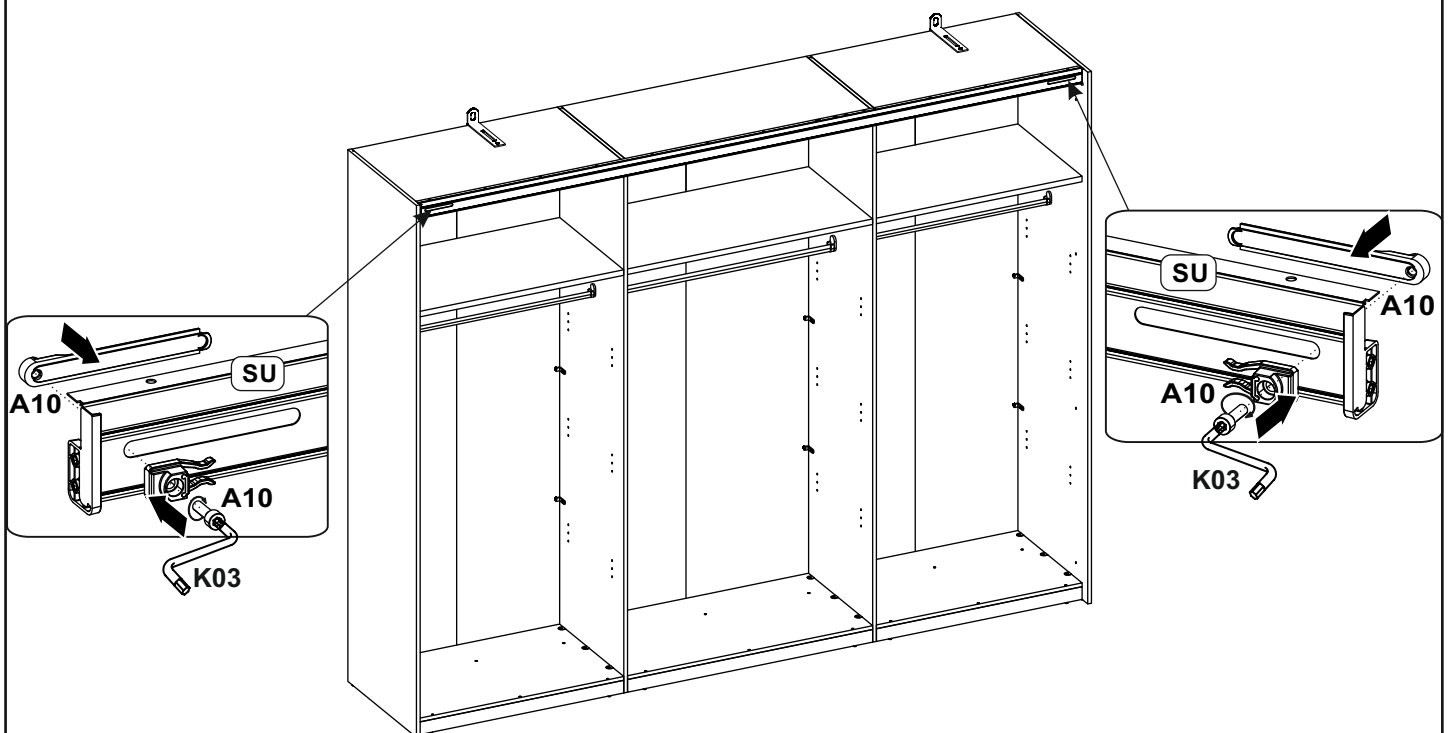
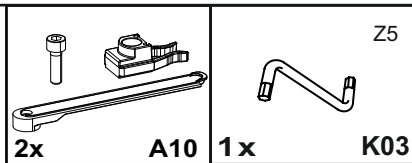
4x	KL2	2x	F01	2x	F11	2x	F13	4x	4x13	W07	24x	3,5x13	W02
----	-----	----	-----	----	-----	----	-----	----	------	-----	-----	--------	-----



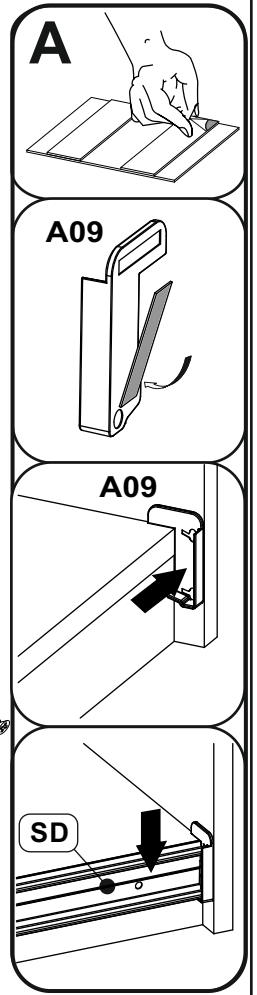
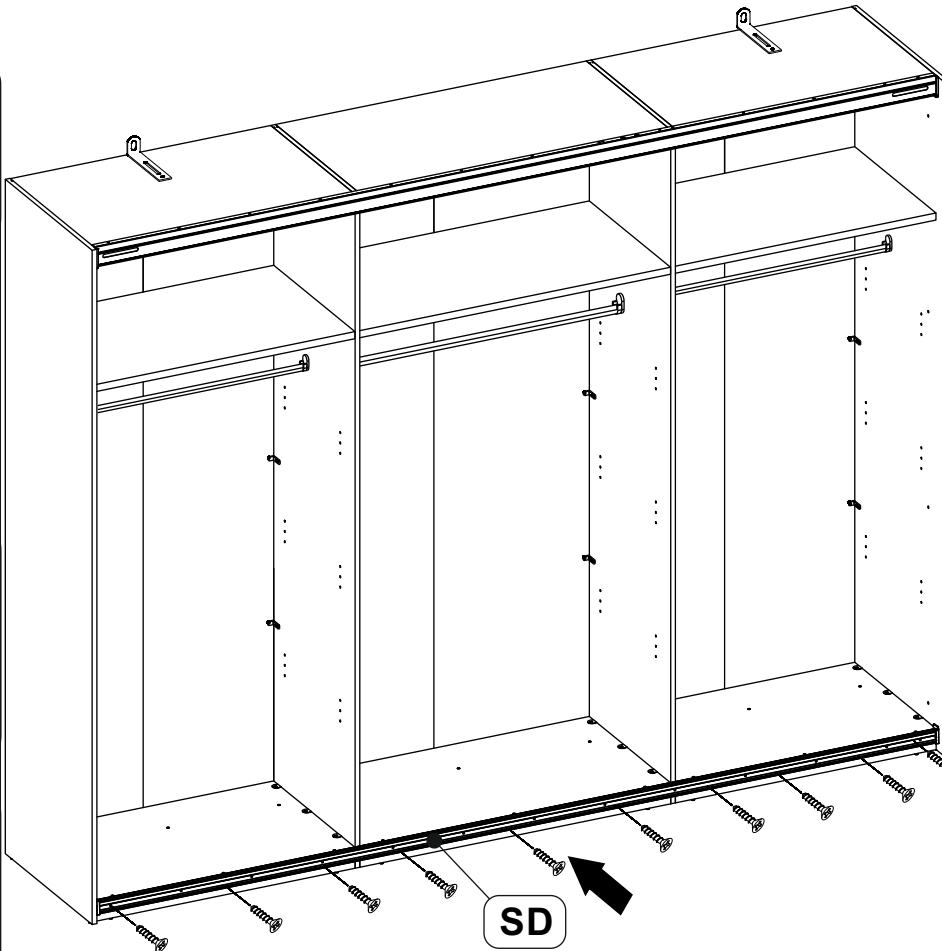
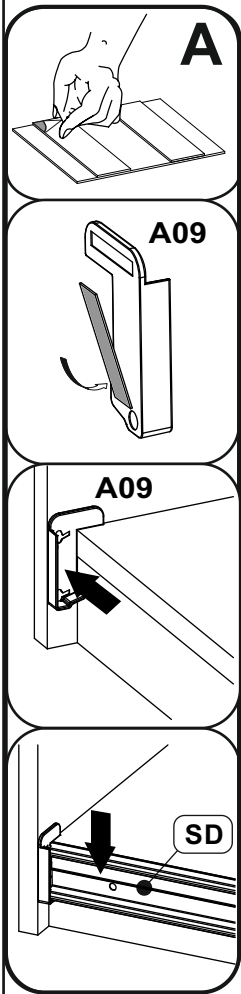
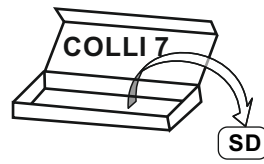
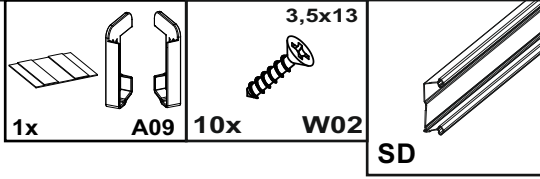
17



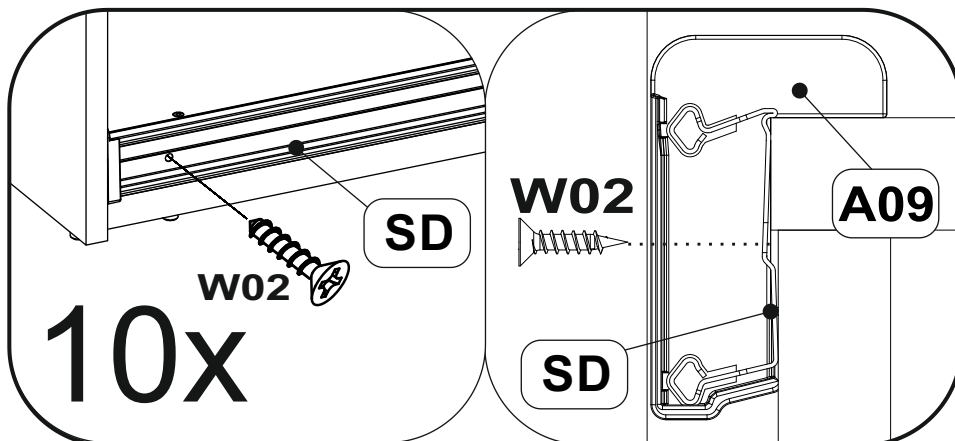
18



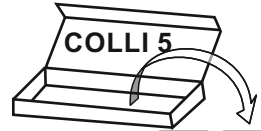
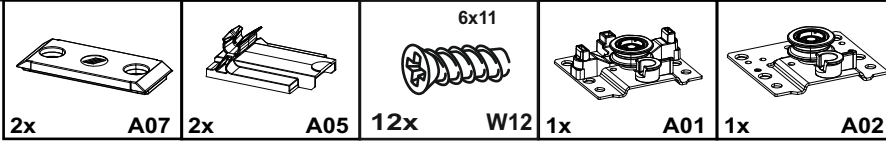
19



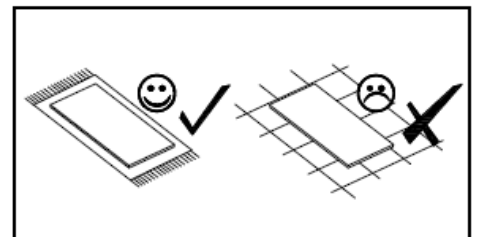
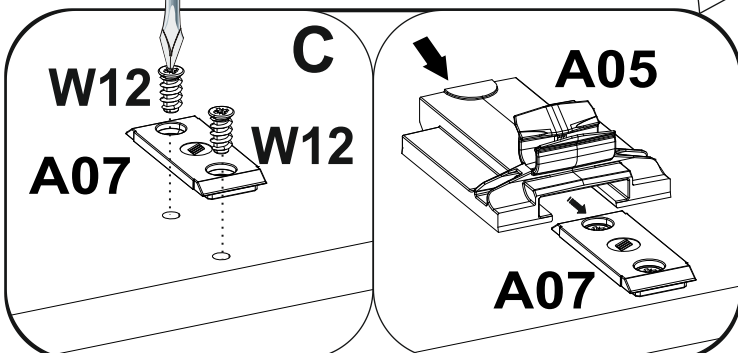
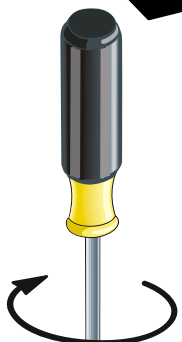
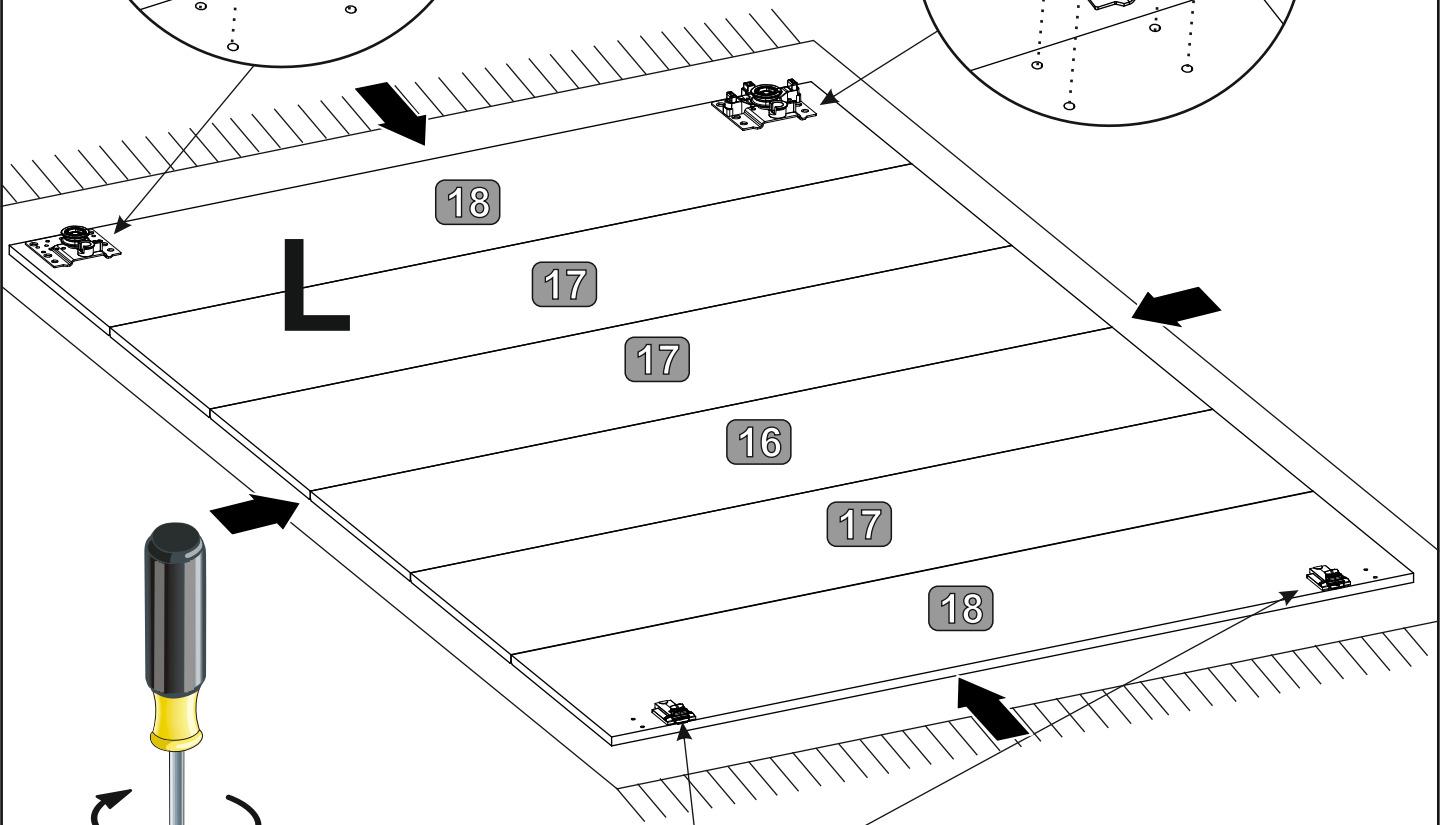
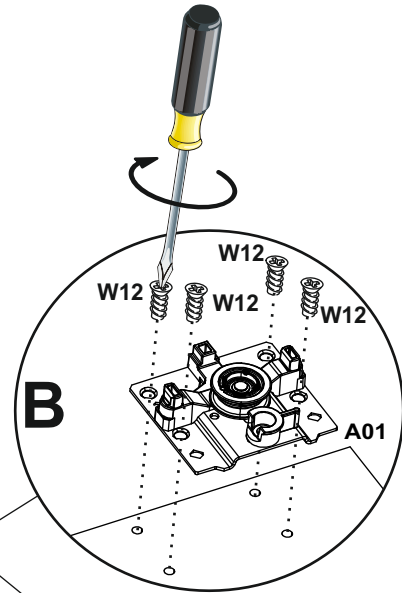
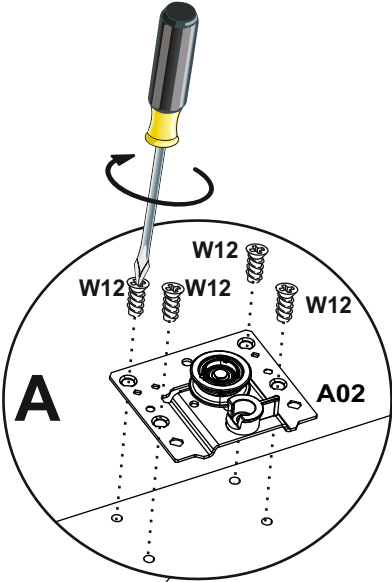
B



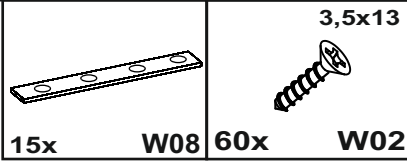
20



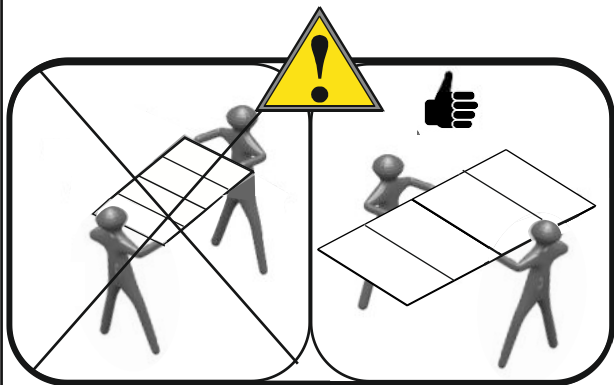
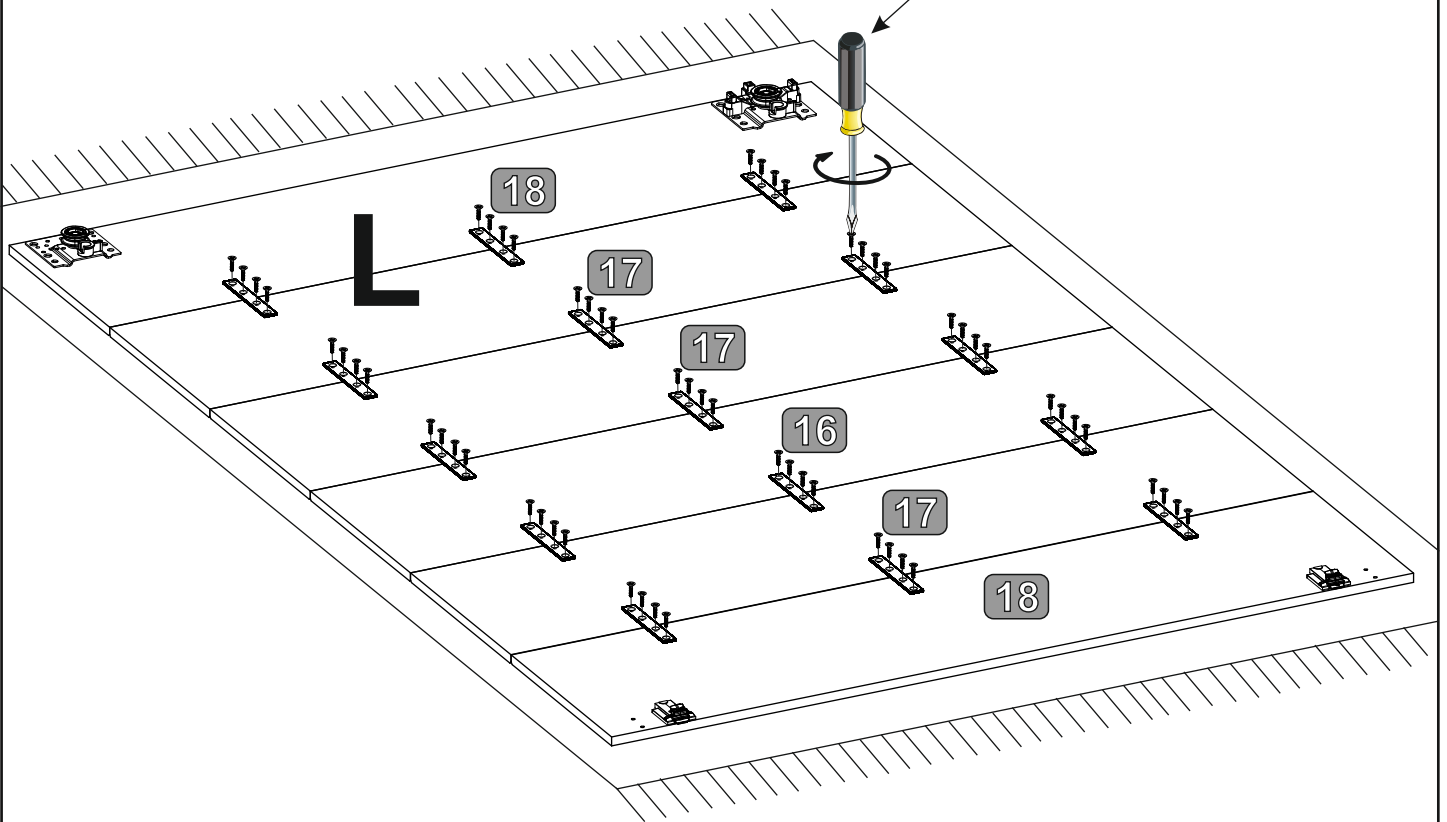
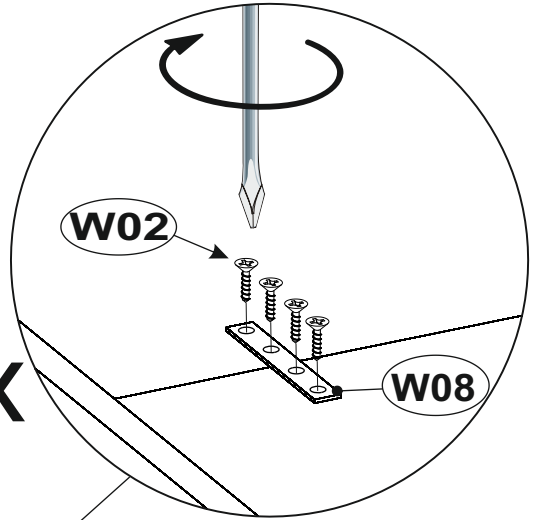
16 17 18



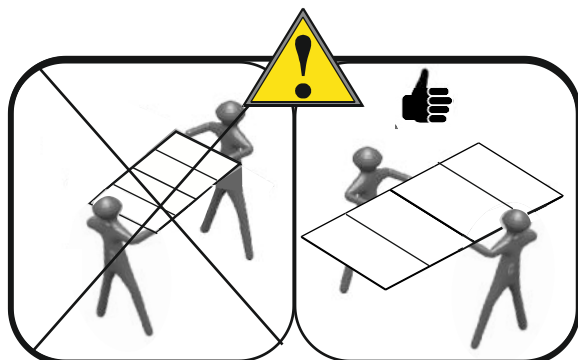
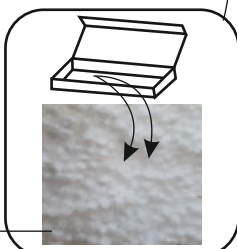
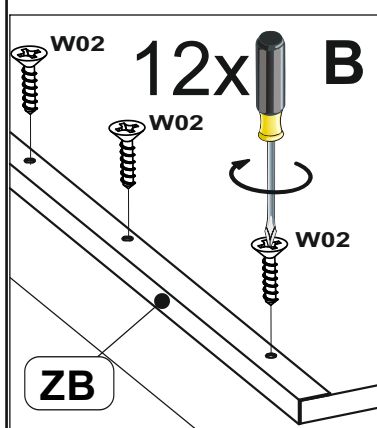
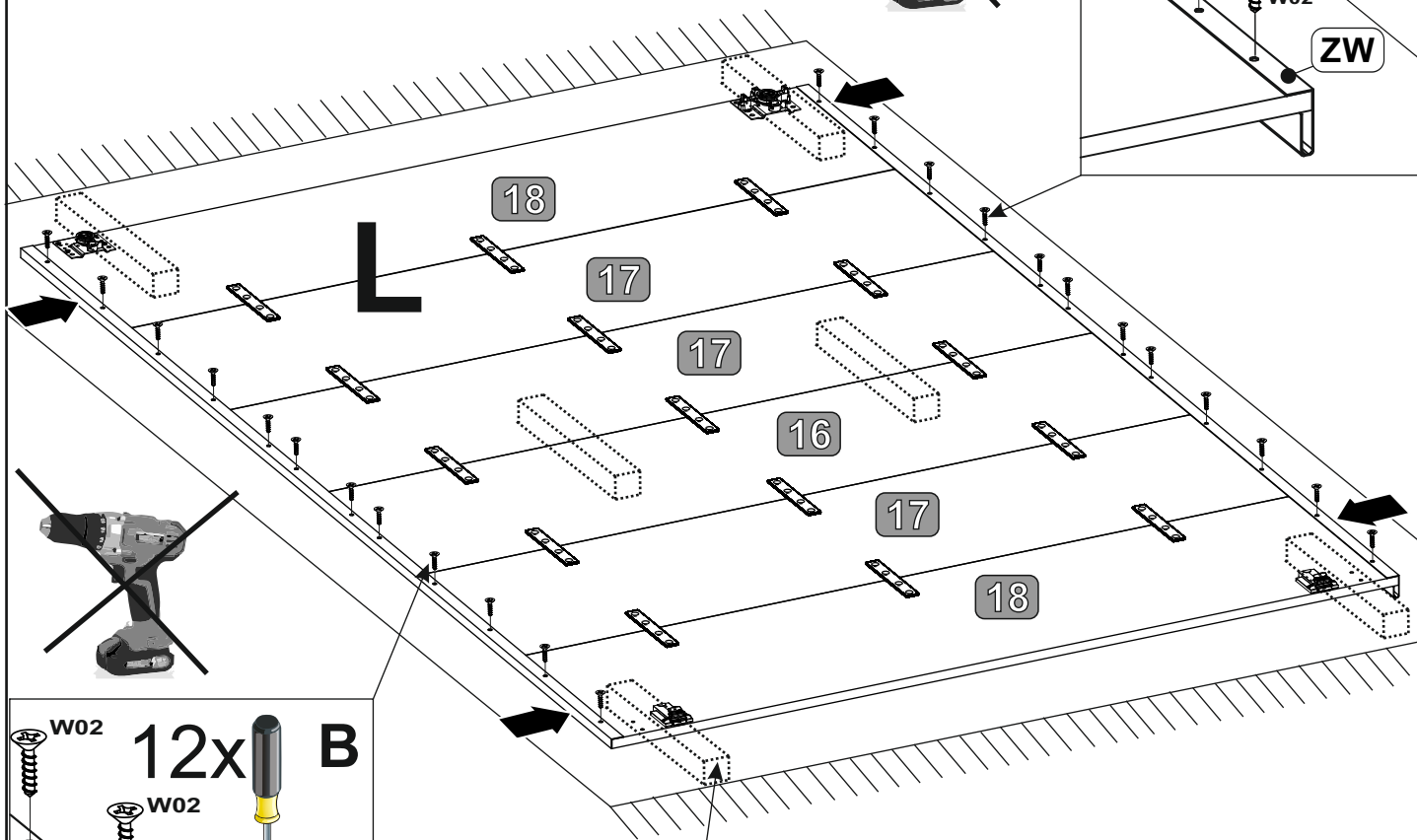
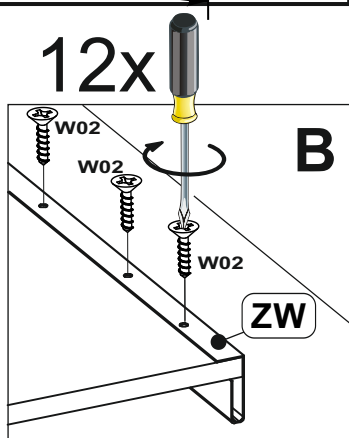
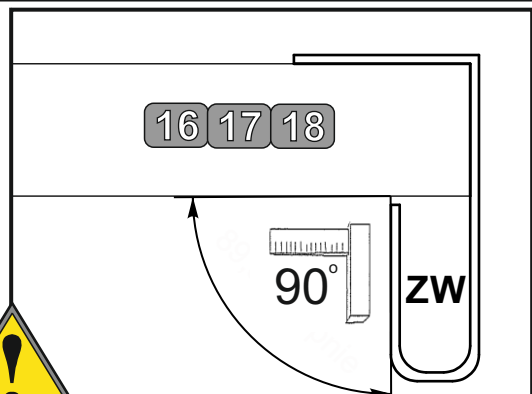
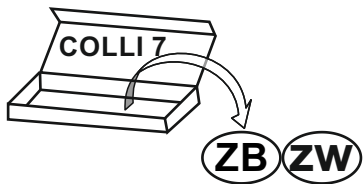
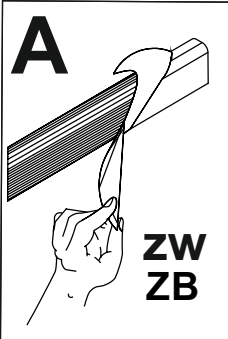
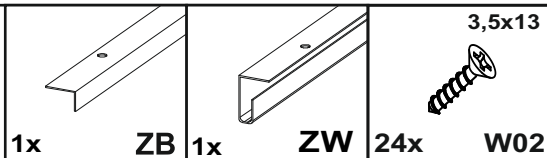
21



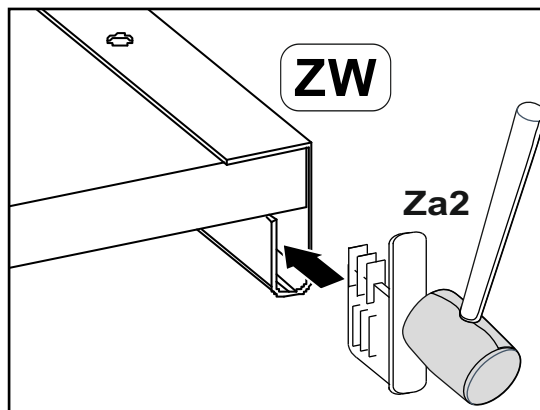
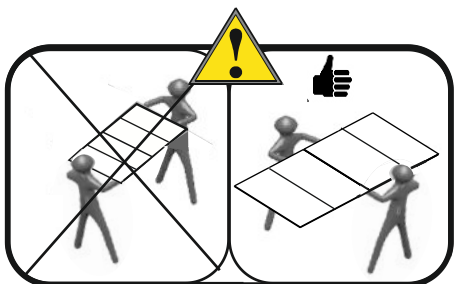
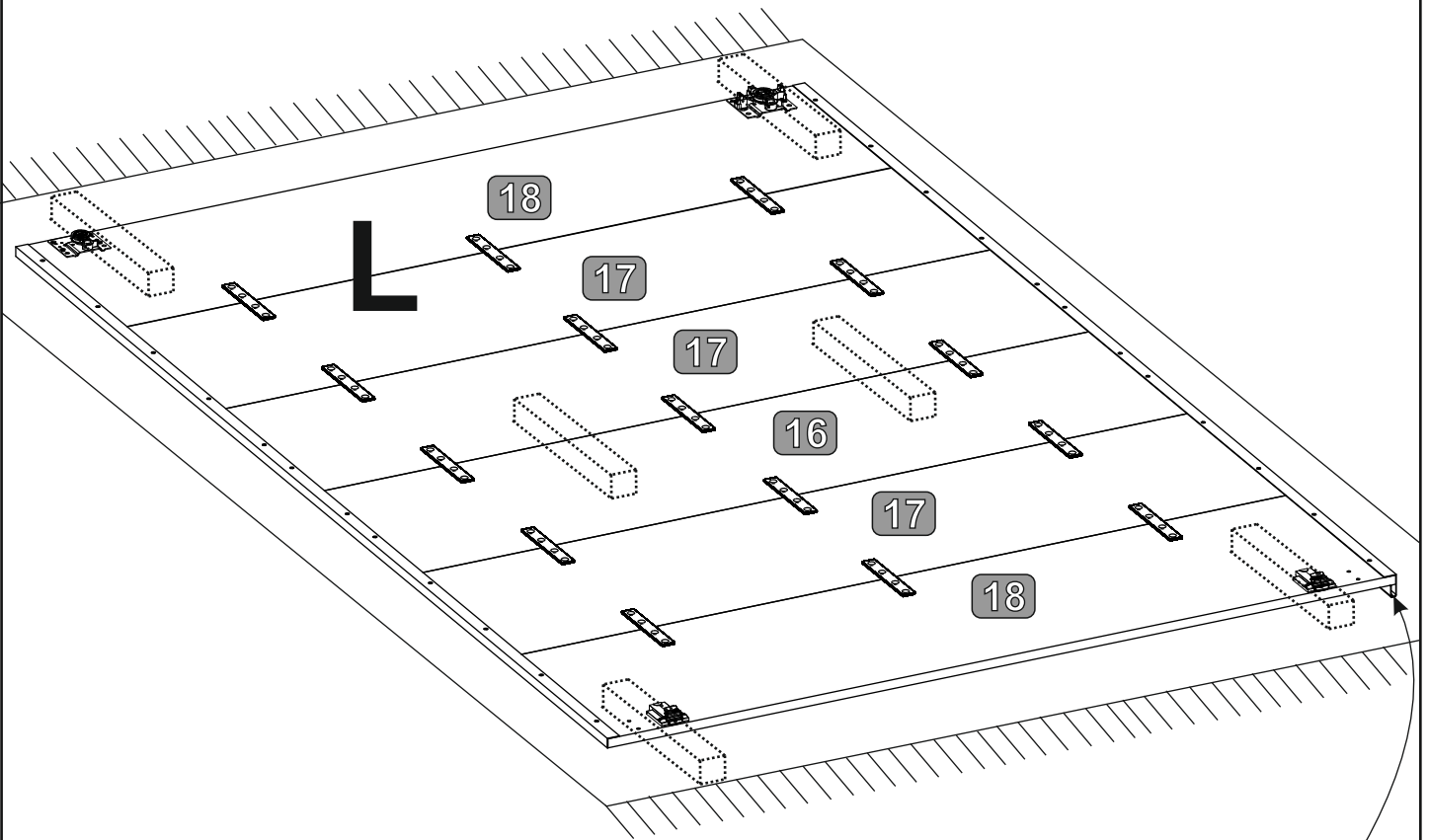
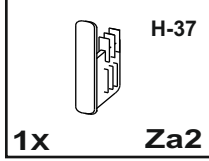
15x



22



23



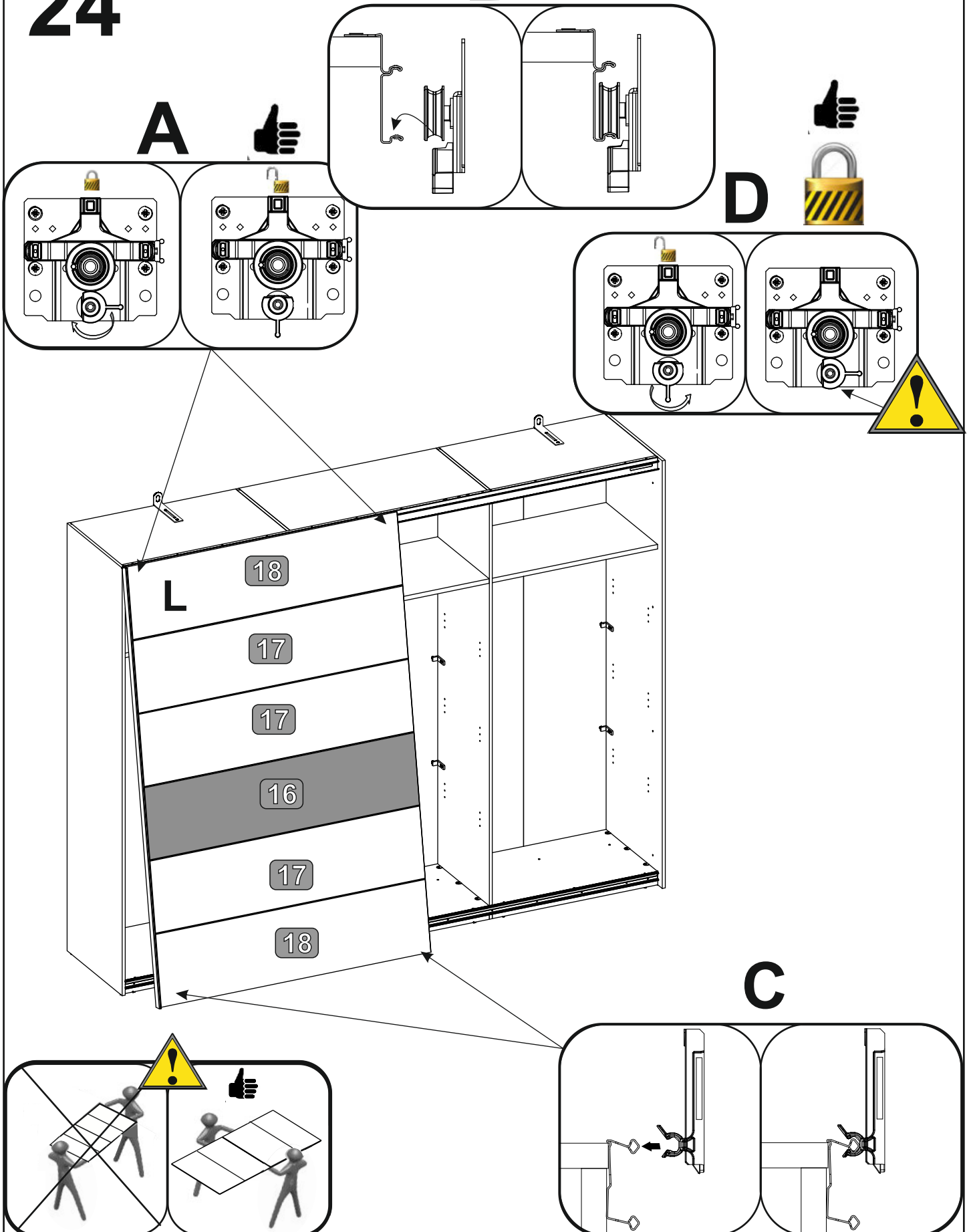
24

B

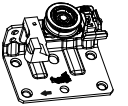

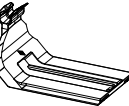
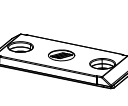
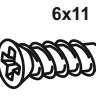
A

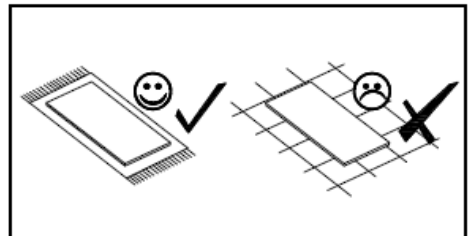
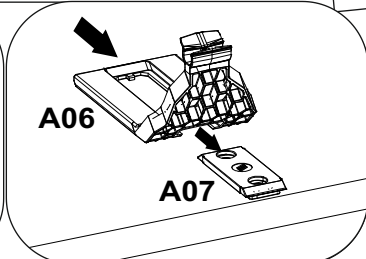
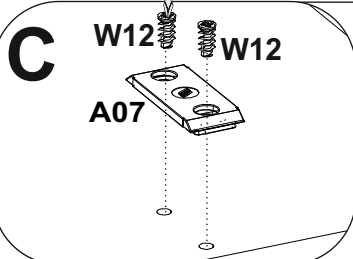
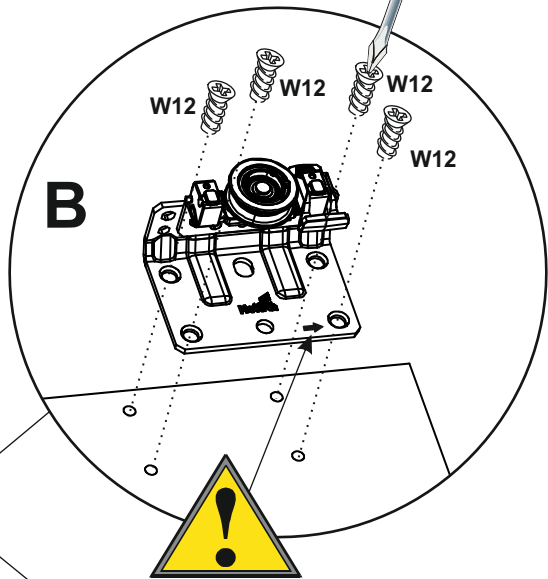
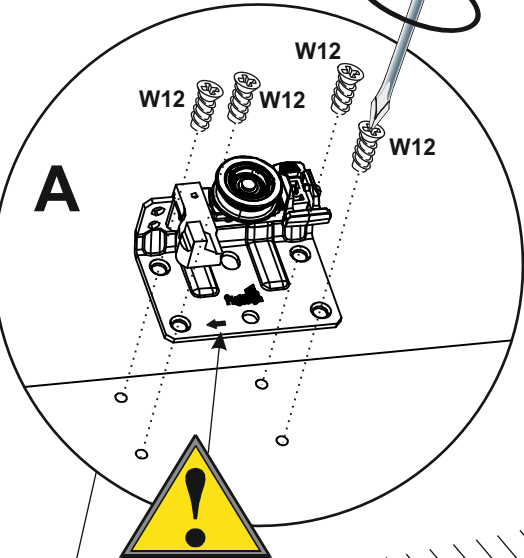
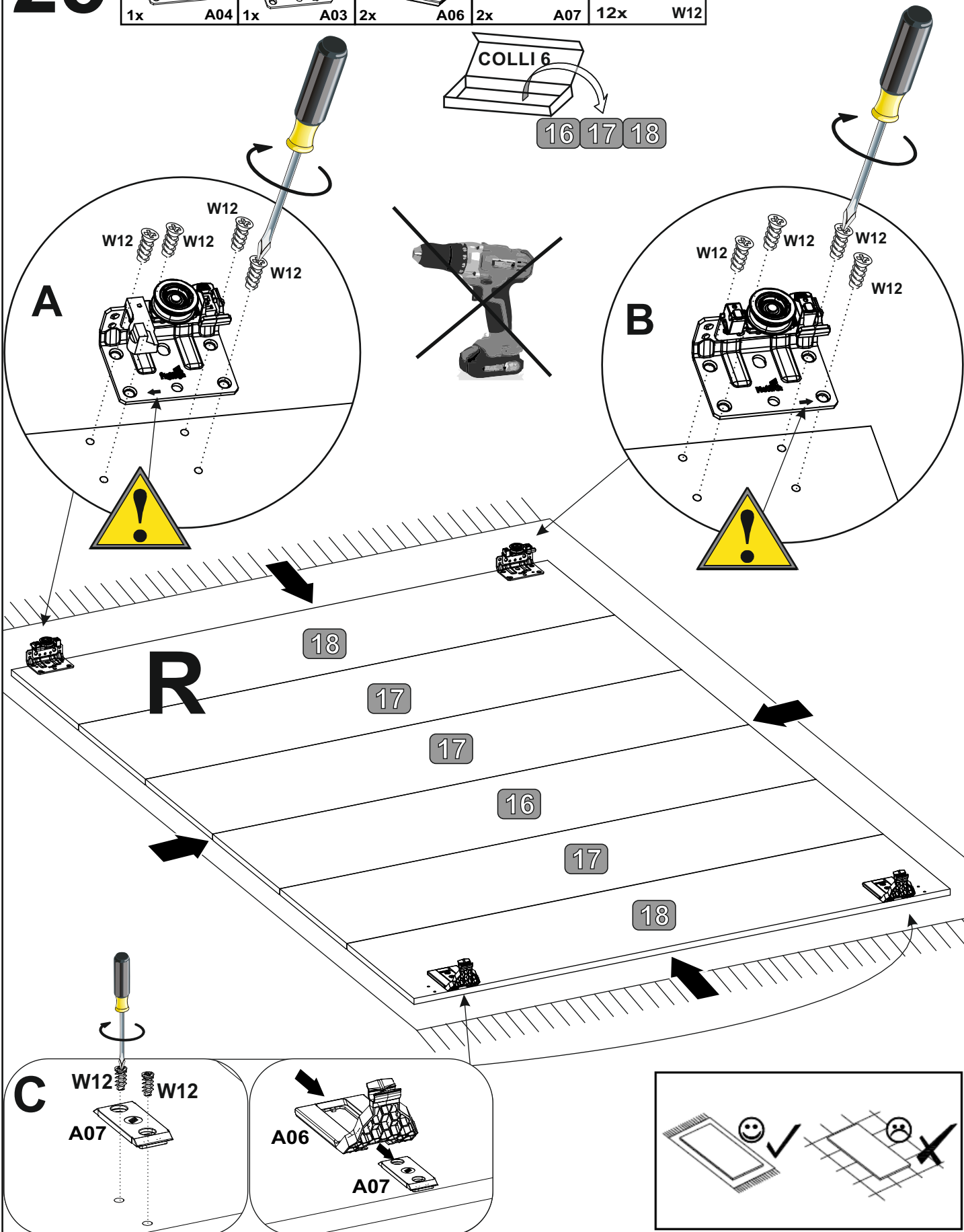
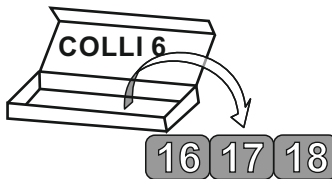
D

C

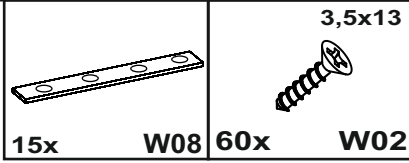


25

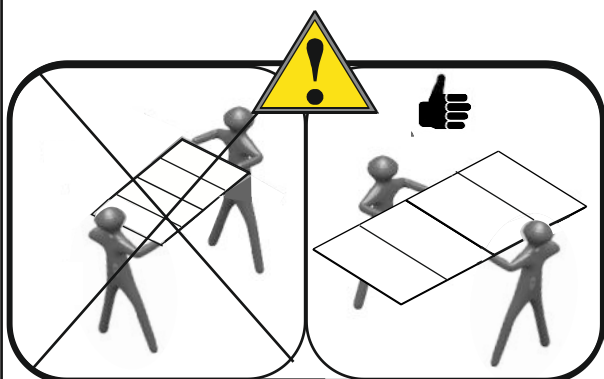
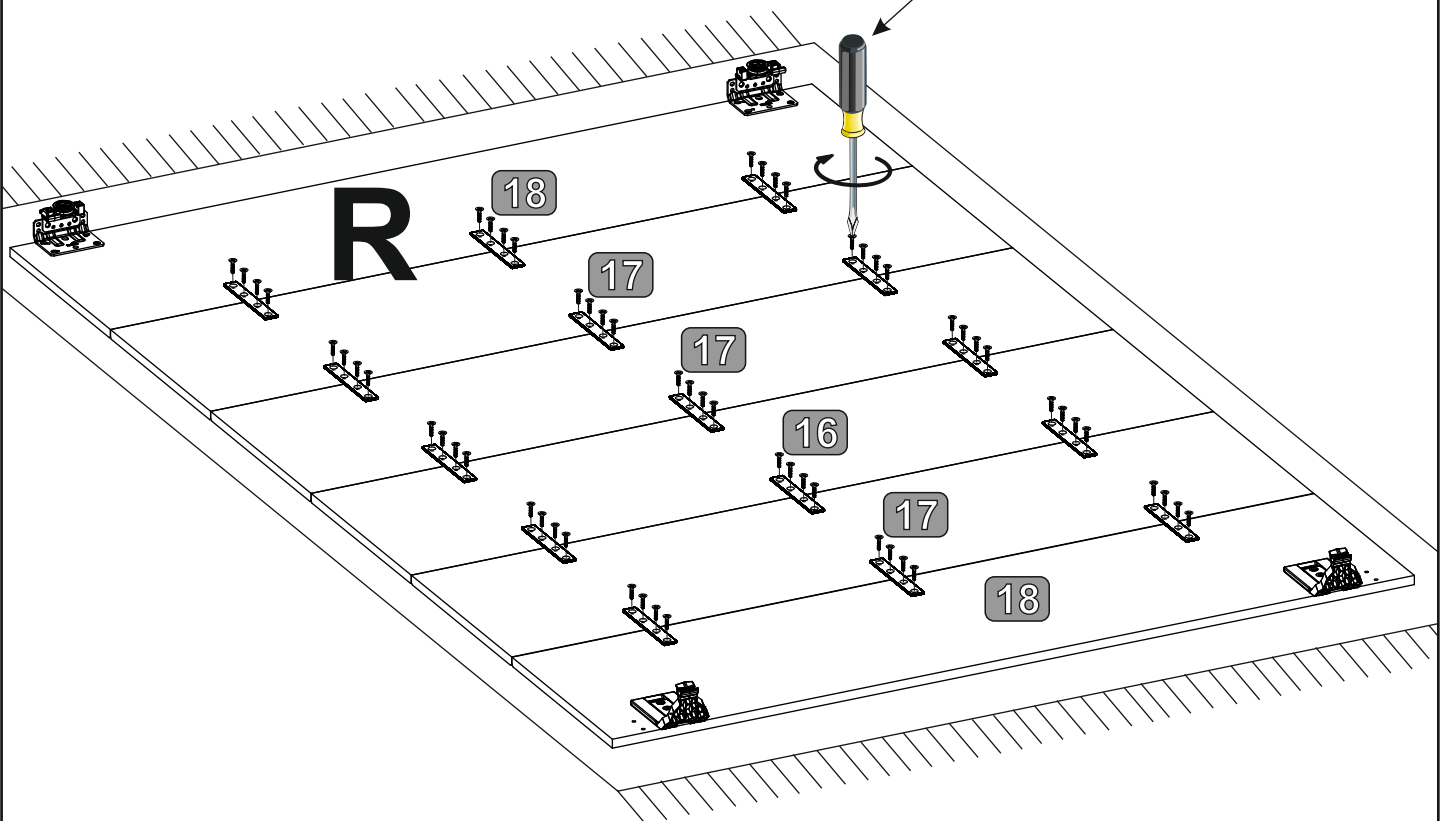
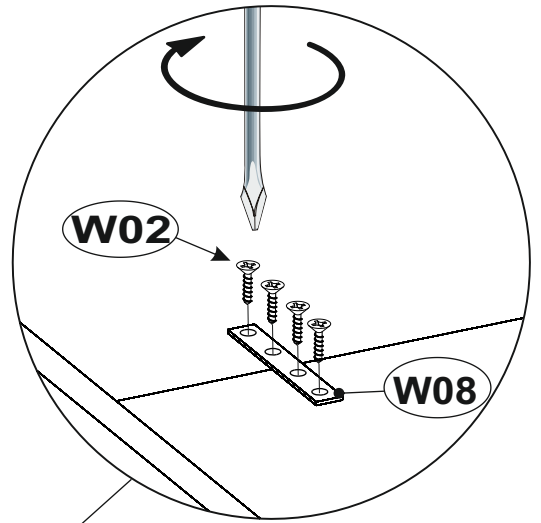
 1x A04	 1x A03	 2x A06	 2x A07	 6x11 12x W12
---	---	---	---	---



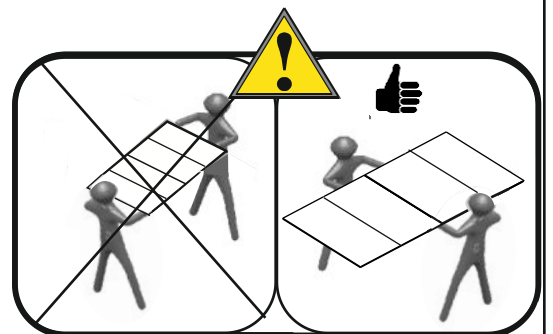
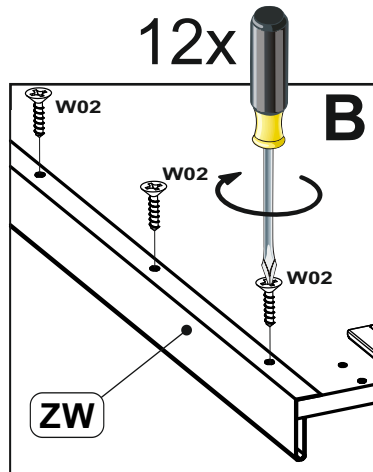
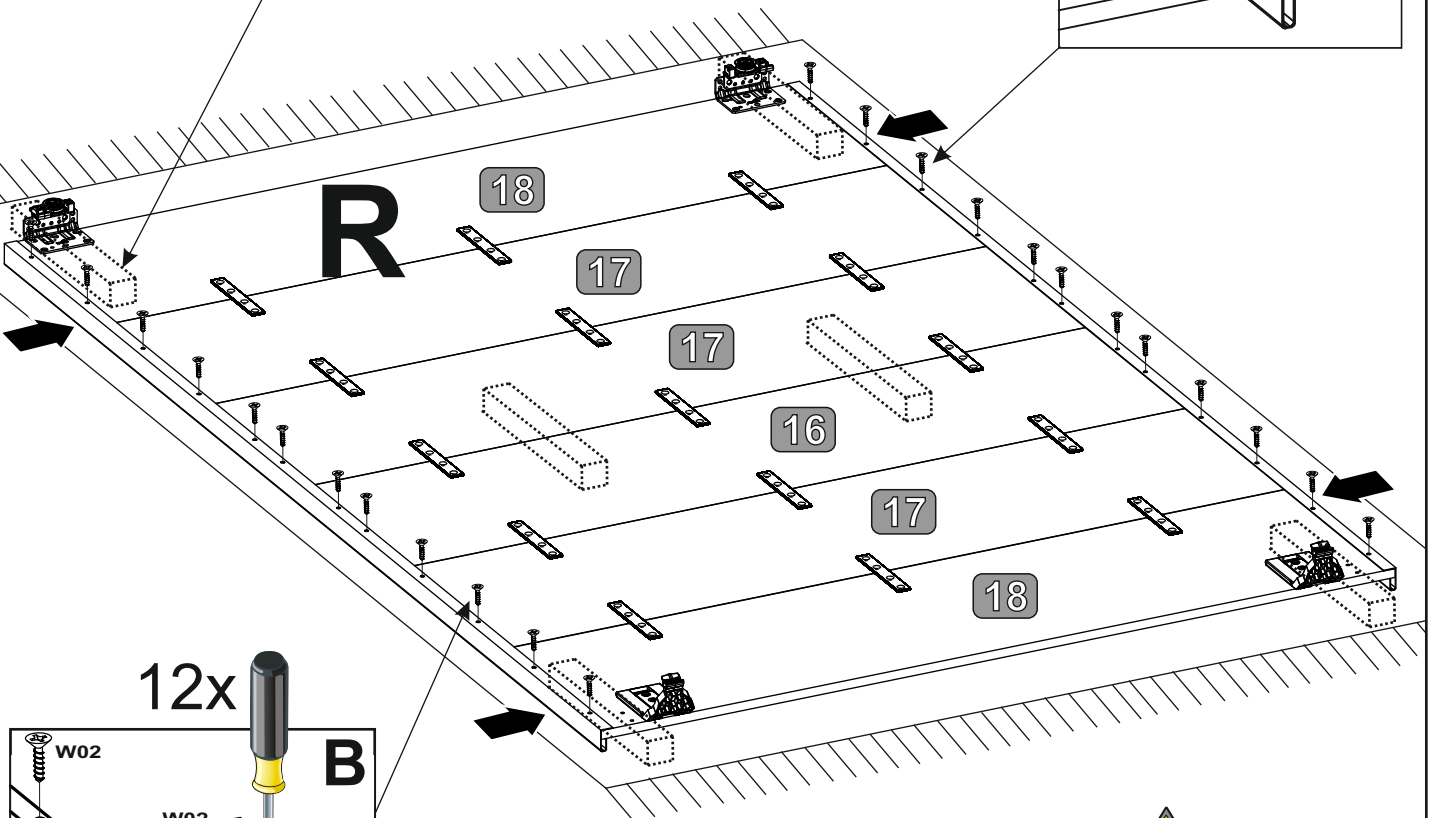
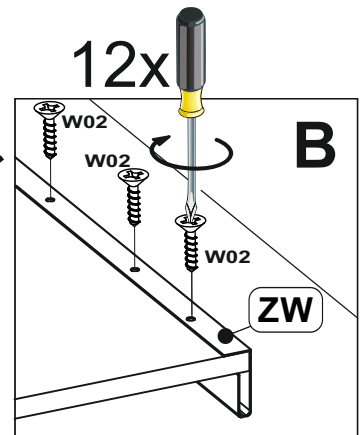
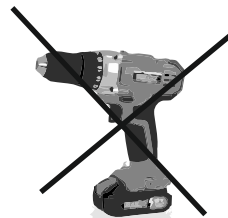
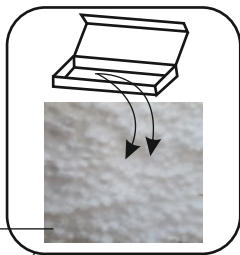
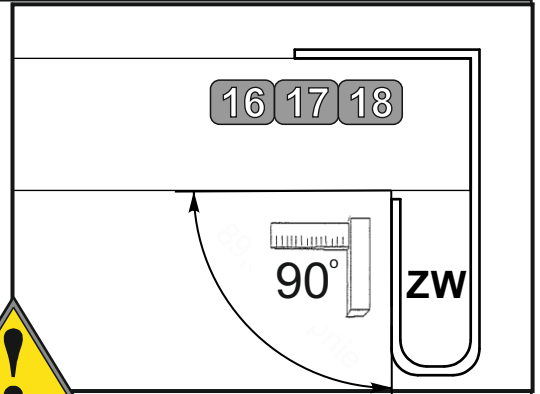
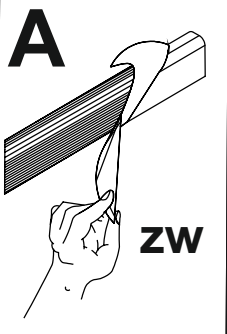
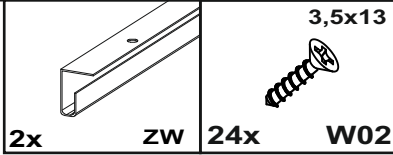
26



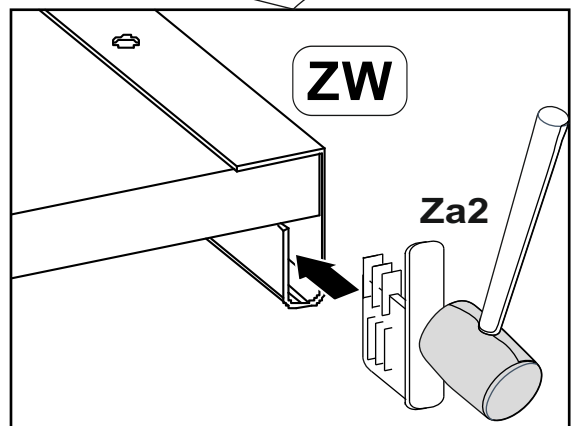
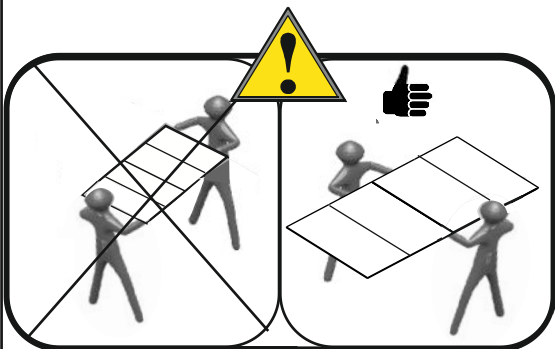
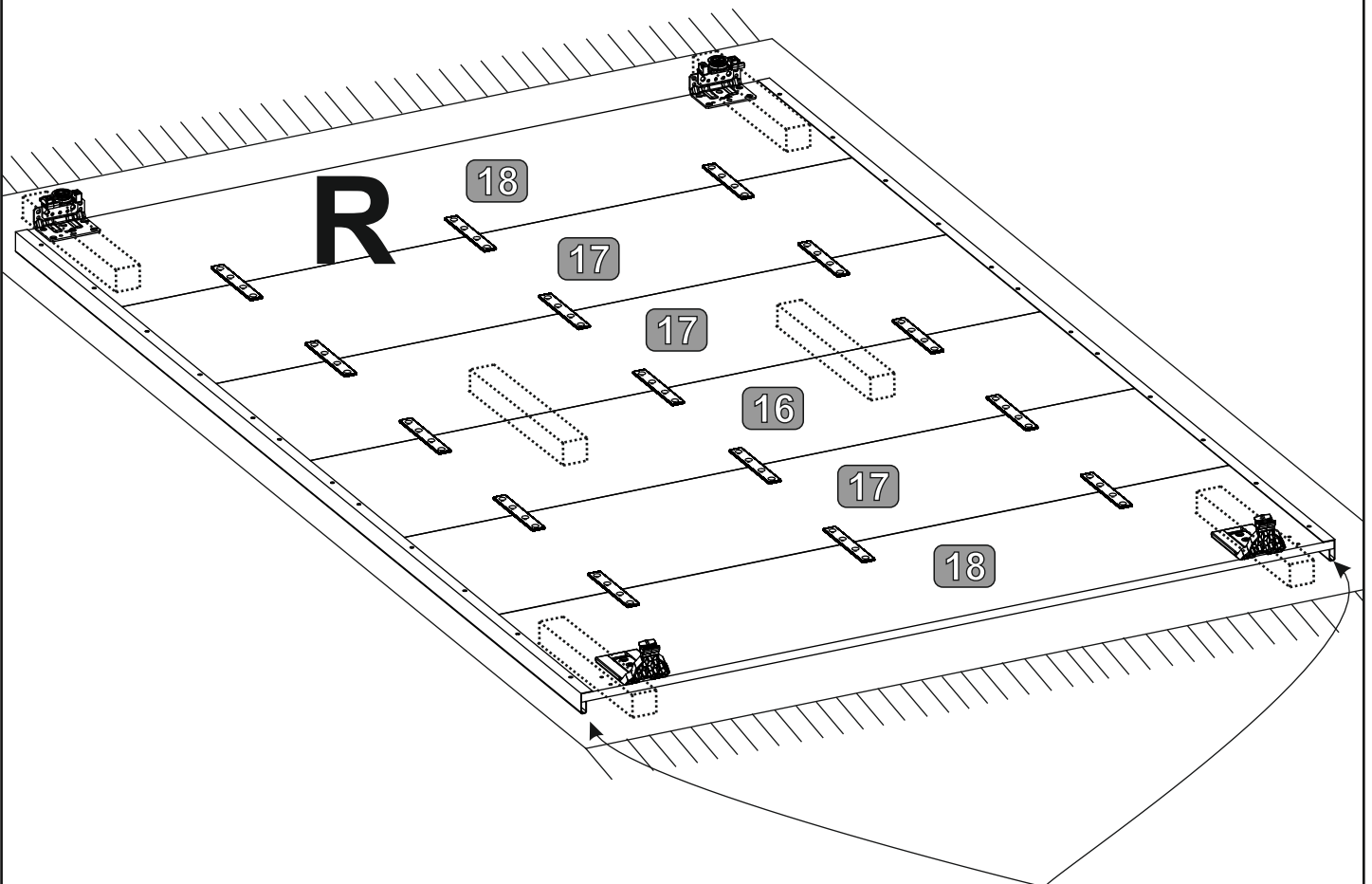
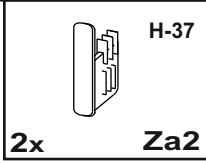
15x



27

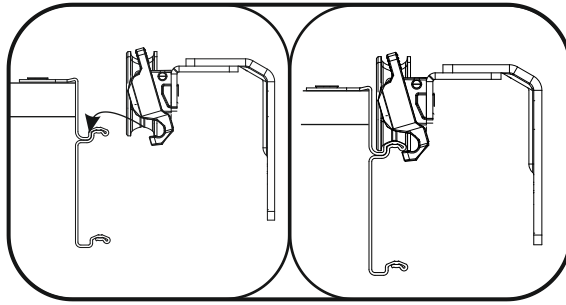


28



29

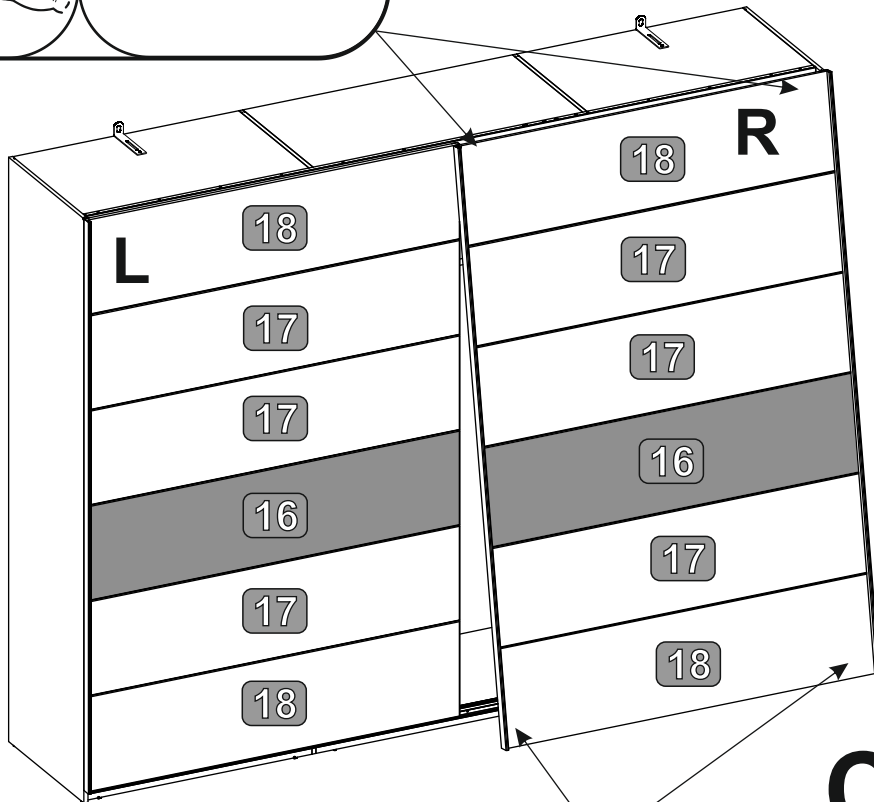
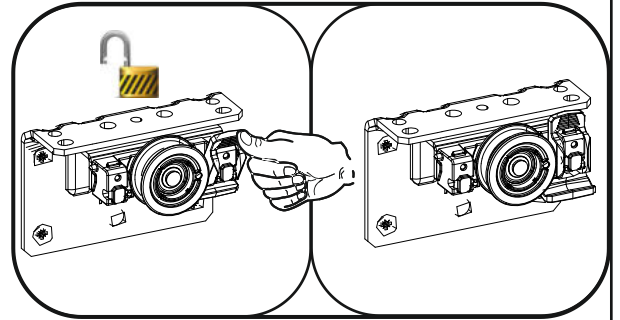
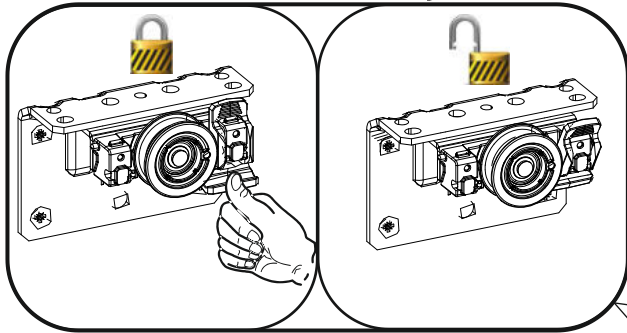
B



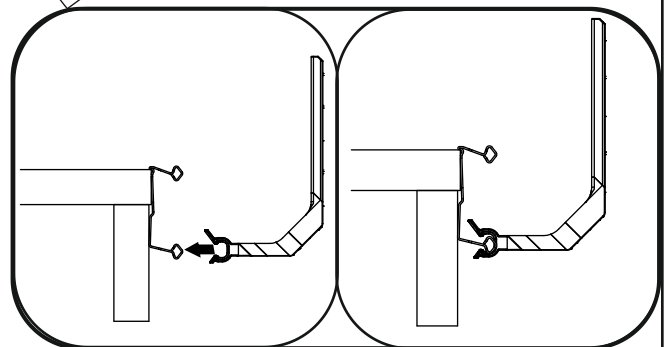
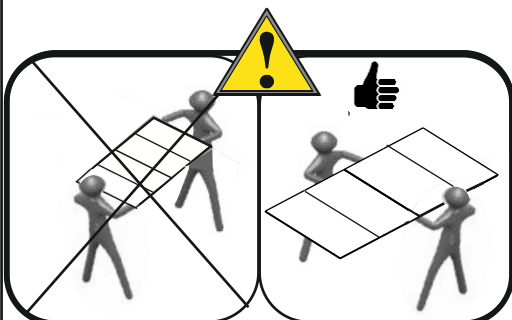
D



A



C



30

