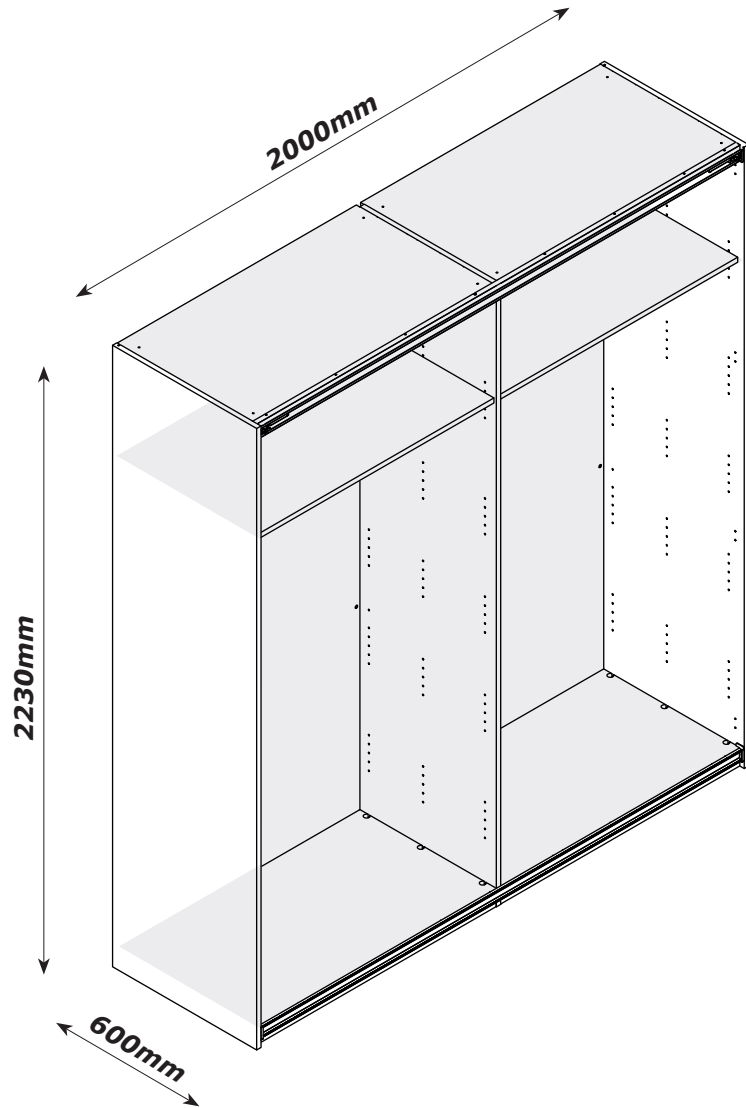
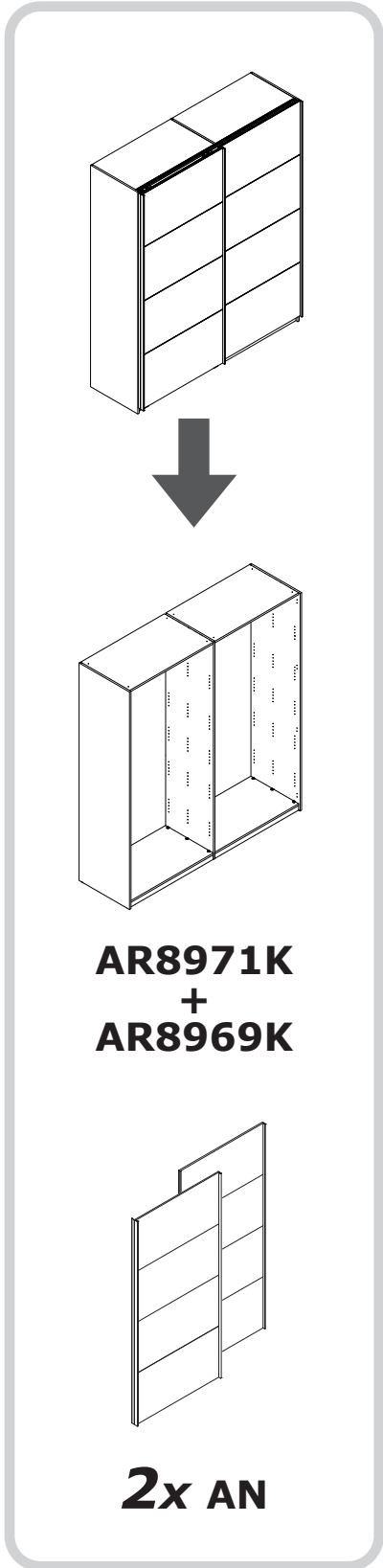
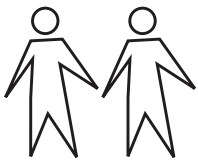


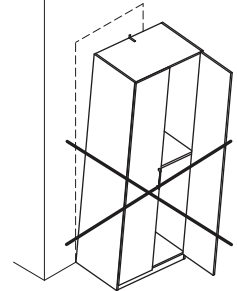
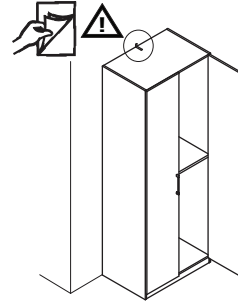
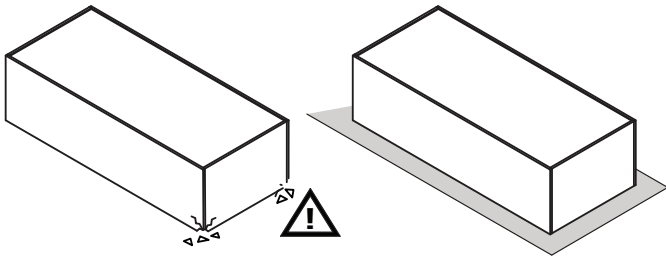
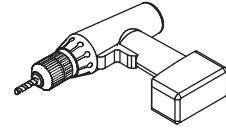
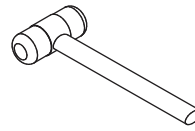
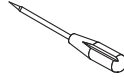
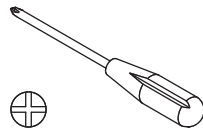
AR8971K76704 + CF8988K



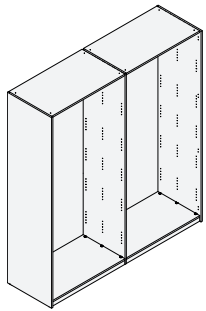
QF5839-2



4h



CF8989K



K183 x1
L. 1996mm

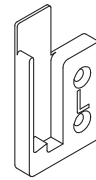


K184 x1
L. 1996mm



W604 x2
L. 982mm

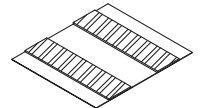
CF0227



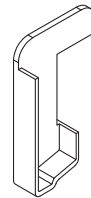
h x1
30x6x53mm



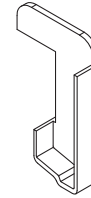
i x1
30x6x53mm



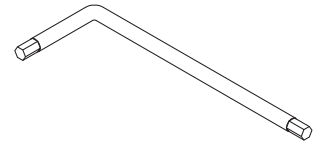
j x1
9x35x0,5mm



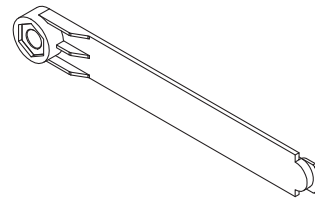
k x1
32,5x9x51,5mm



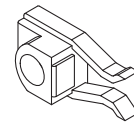
l x1
32,5x9x51,5mm



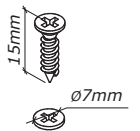
H176
x1



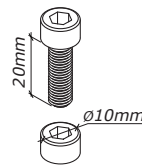
m x2
118x9,5x15mm



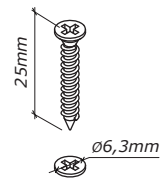
n x2
42x15x21mm



V5
x14



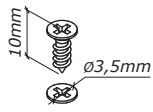
V188
x2



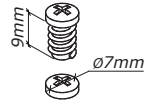
V119
x10

CF8989K

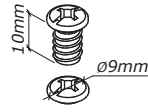
BU4992



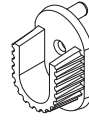
V87
x8



V71
x12



V175
x24



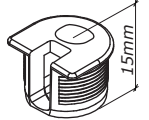
R34
x4



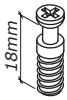
R5
x12



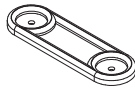
H289
x6



T127
x24



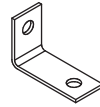
T69
x12



P16
x18



H15
x36



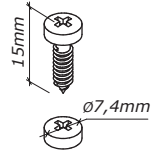
H141
x8



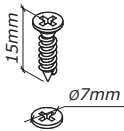
T53
x6



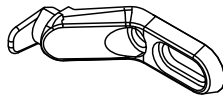
T129
x12



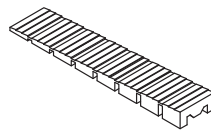
V81
x4



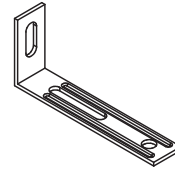
V5
x6



H322
x8



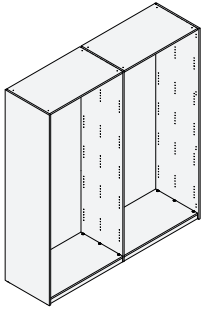
P17
x2



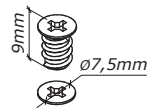
H185
x2



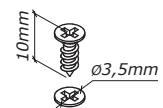
H129
x4



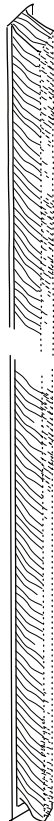
BU4992



V102
x88

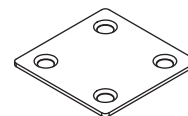


V87
x32

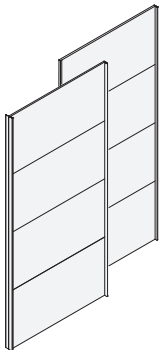


H203 x1
L. 2170mm

CF0198

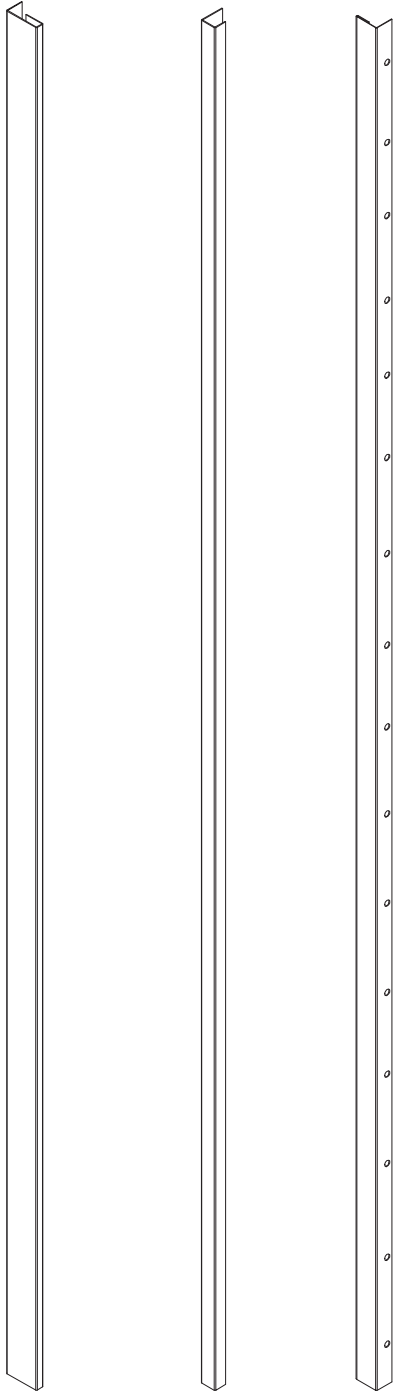


W498
x12



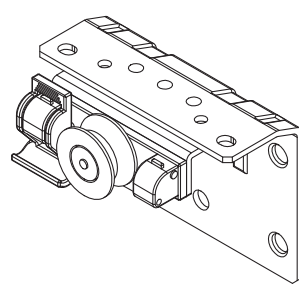
CF8989K

CF

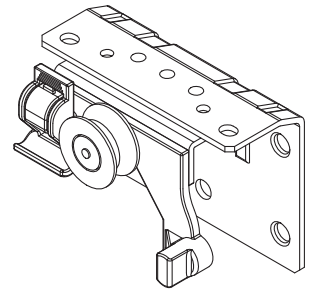


M1 x3 L. 2178mm **M2** x1 L. 2178mm **FW** x1 L. 2178mm

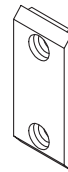
CF0227



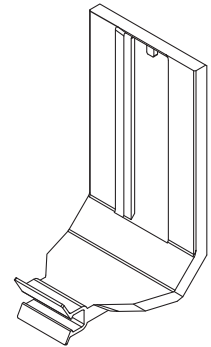
a x1
80x51x60mm



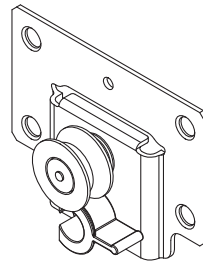
b x1
80x51x60mm



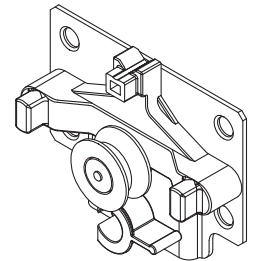
c x4
21x5x49mm



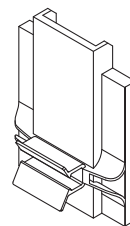
d x2
44x48x84mm



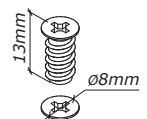
e x1
80x22x60mm



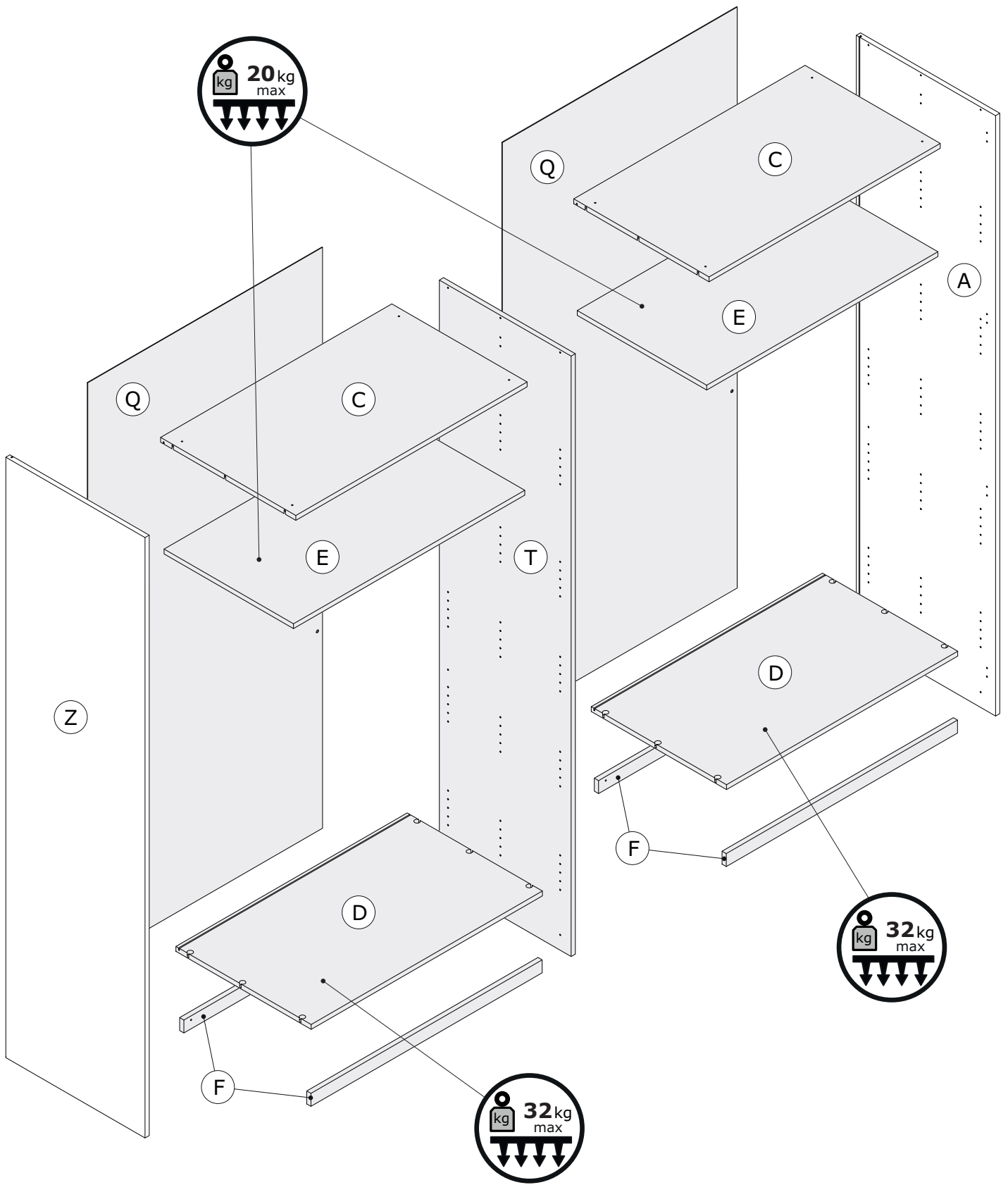
f x1
80x22x62mm



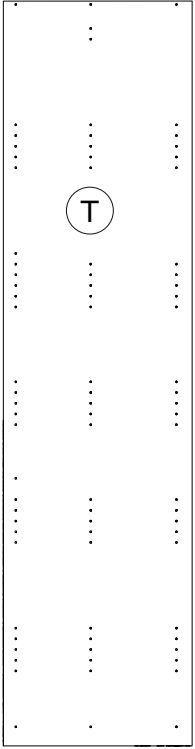
g x2
44x19x60mm



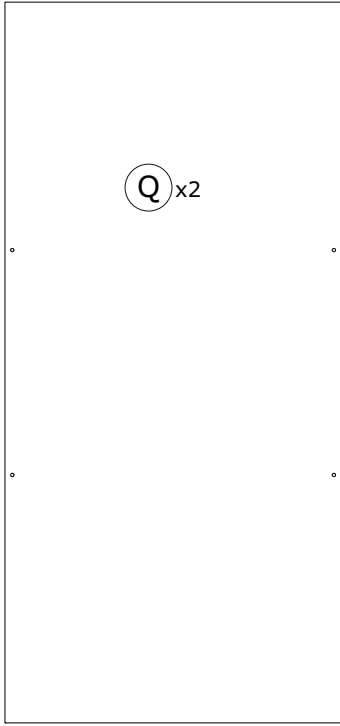
V187
X24



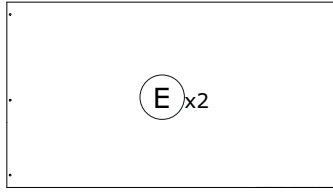
AR8971K7670423



TR2360
2226x564x18mm

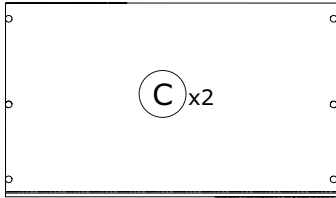


SS0780
2154x1005x2,3mm

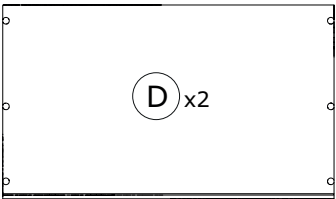


PI7336
990x554x18mm

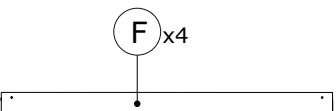
AR8971K7670433



PI7342
990x579x18mm

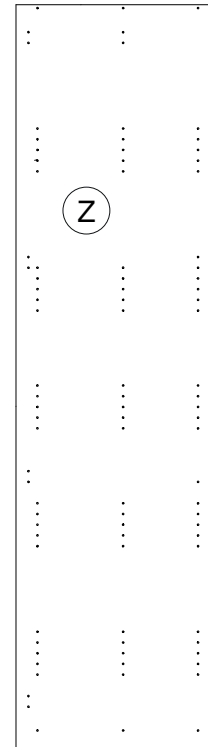
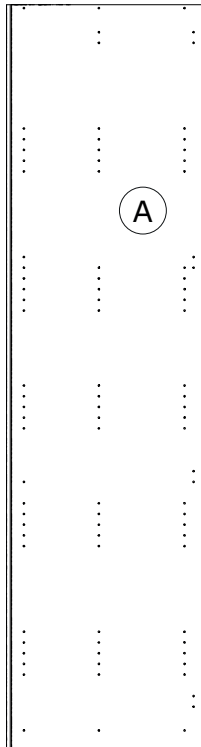


PI7342
990x579x18mm

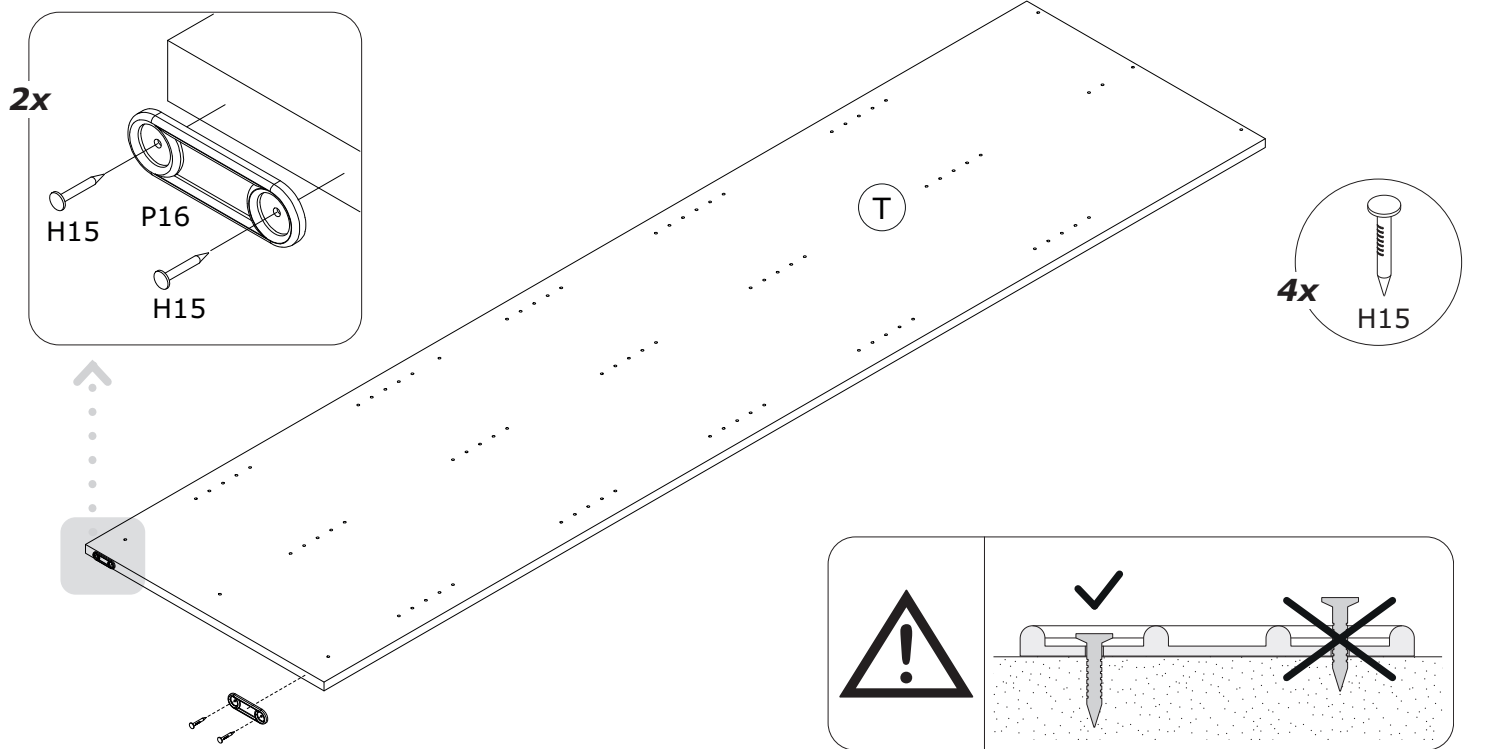


ZO1646
990x48x18mm

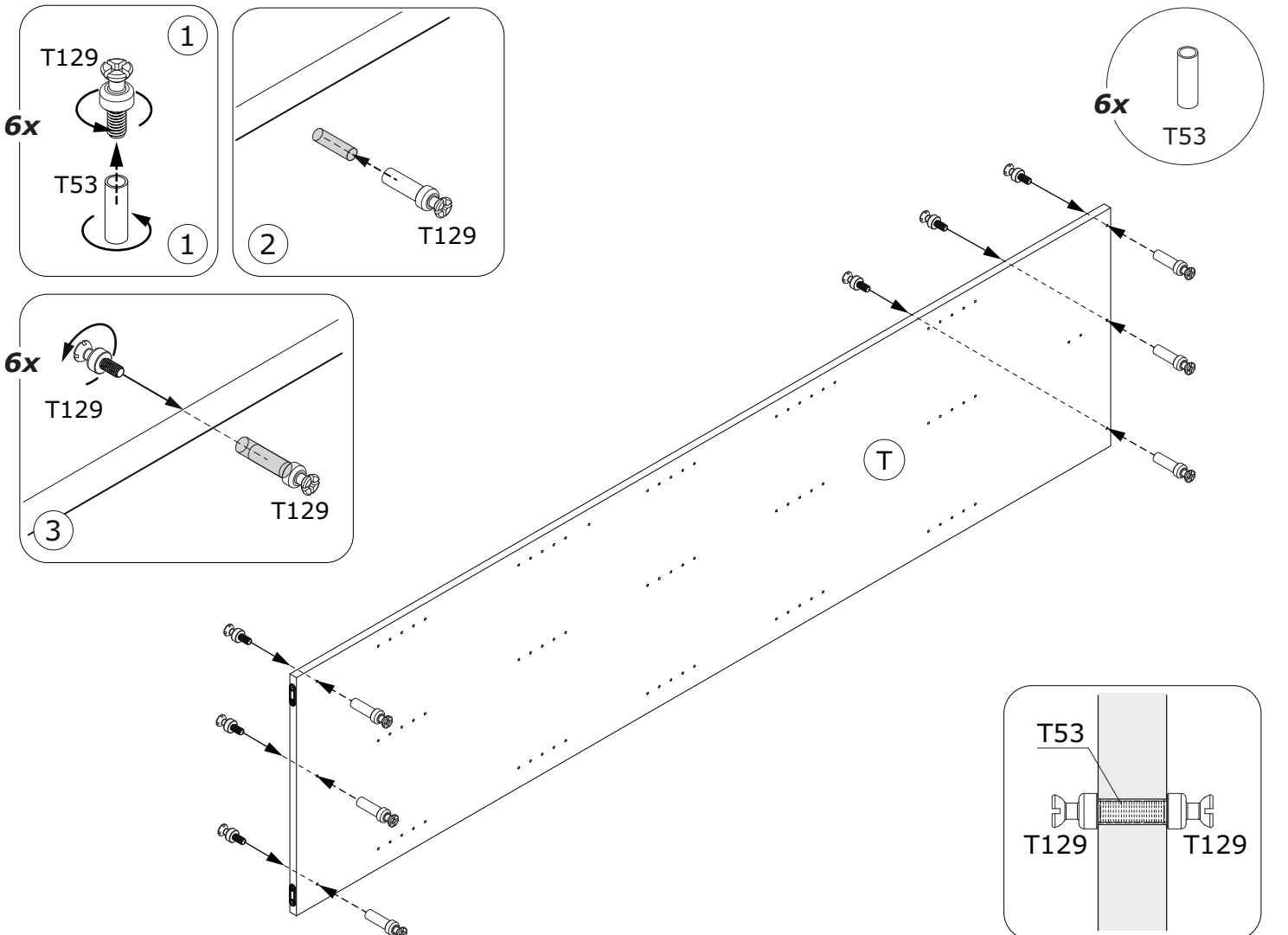
AR8969K-0413



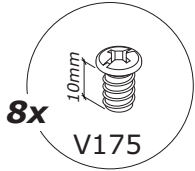
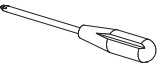
1



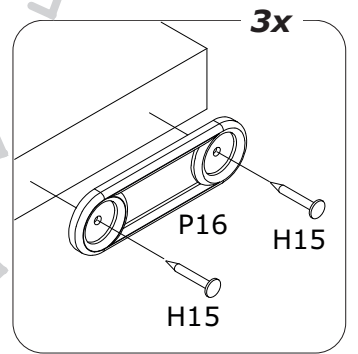
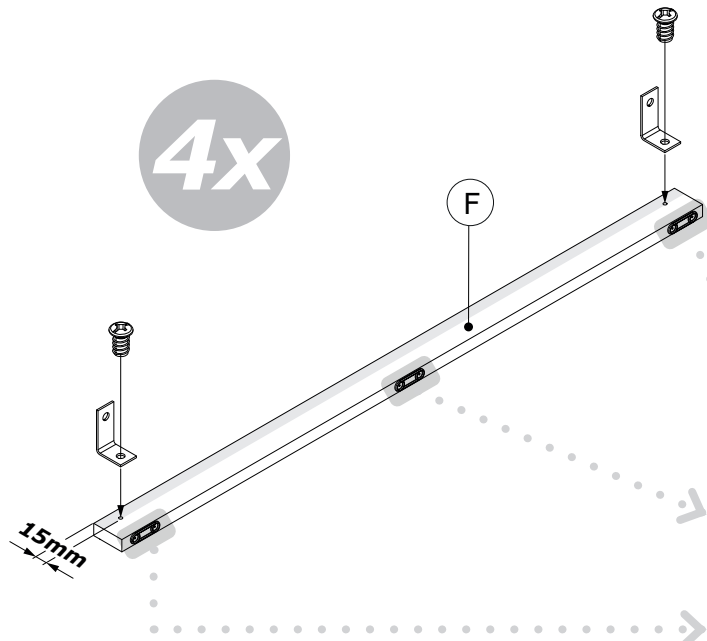
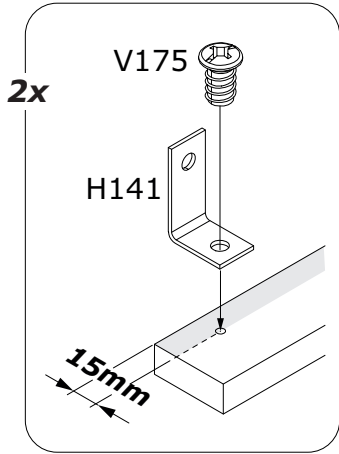
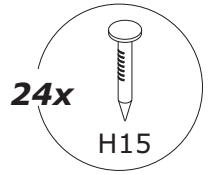
2



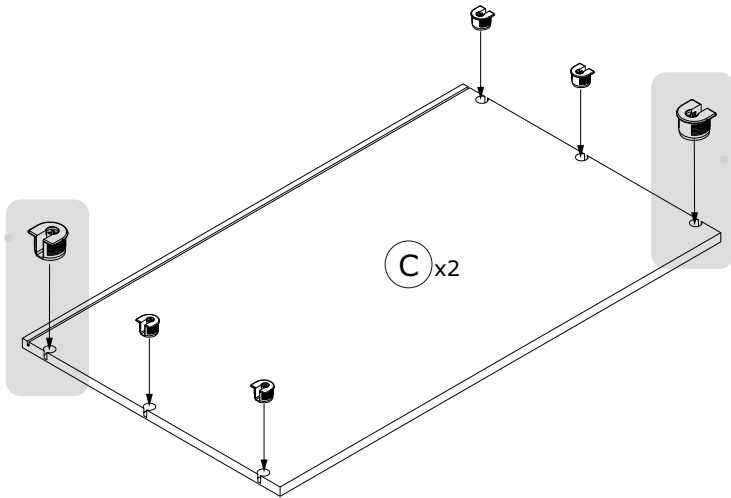
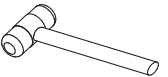
3



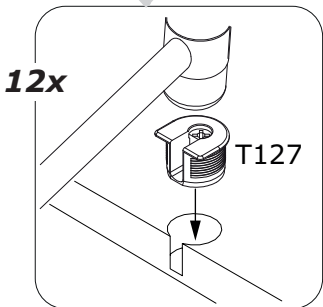
4x



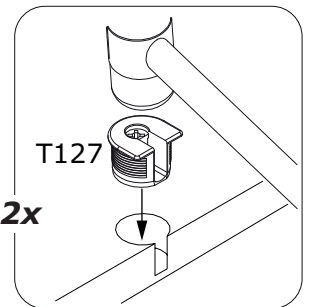
4



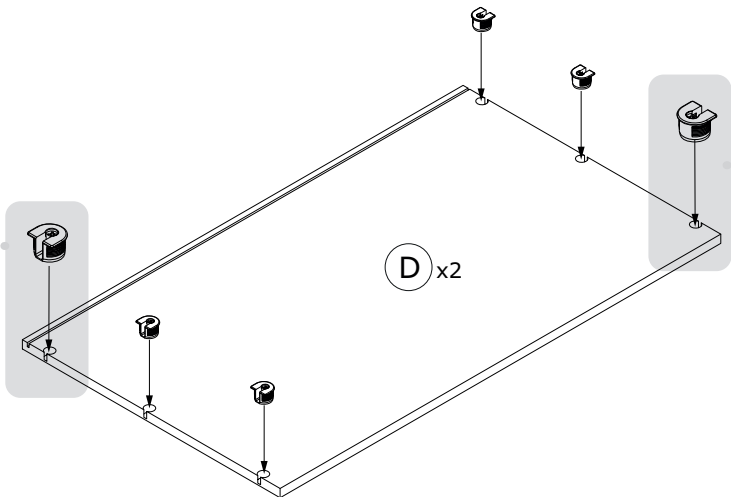
C x2



12x



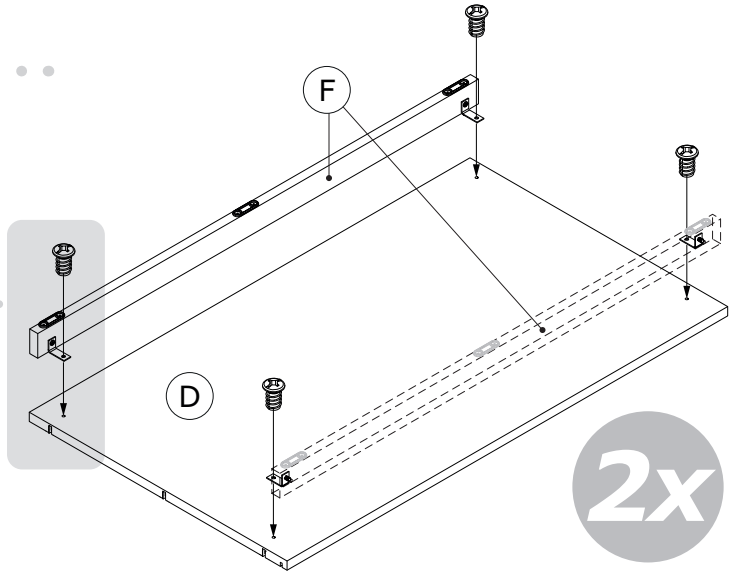
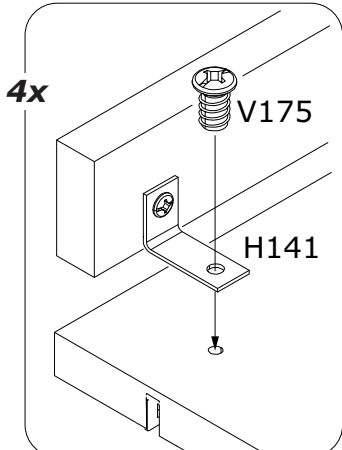
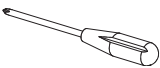
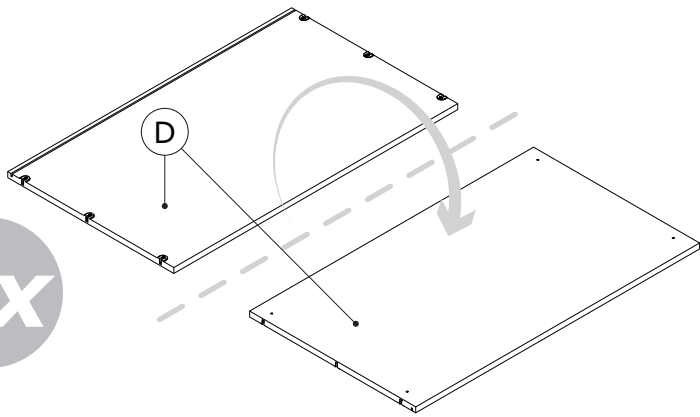
12x



D x2

5

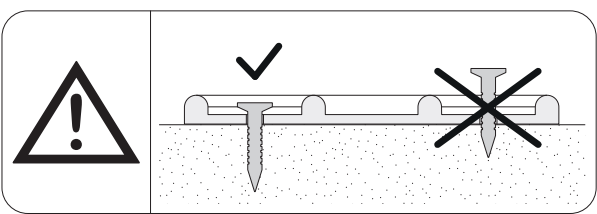
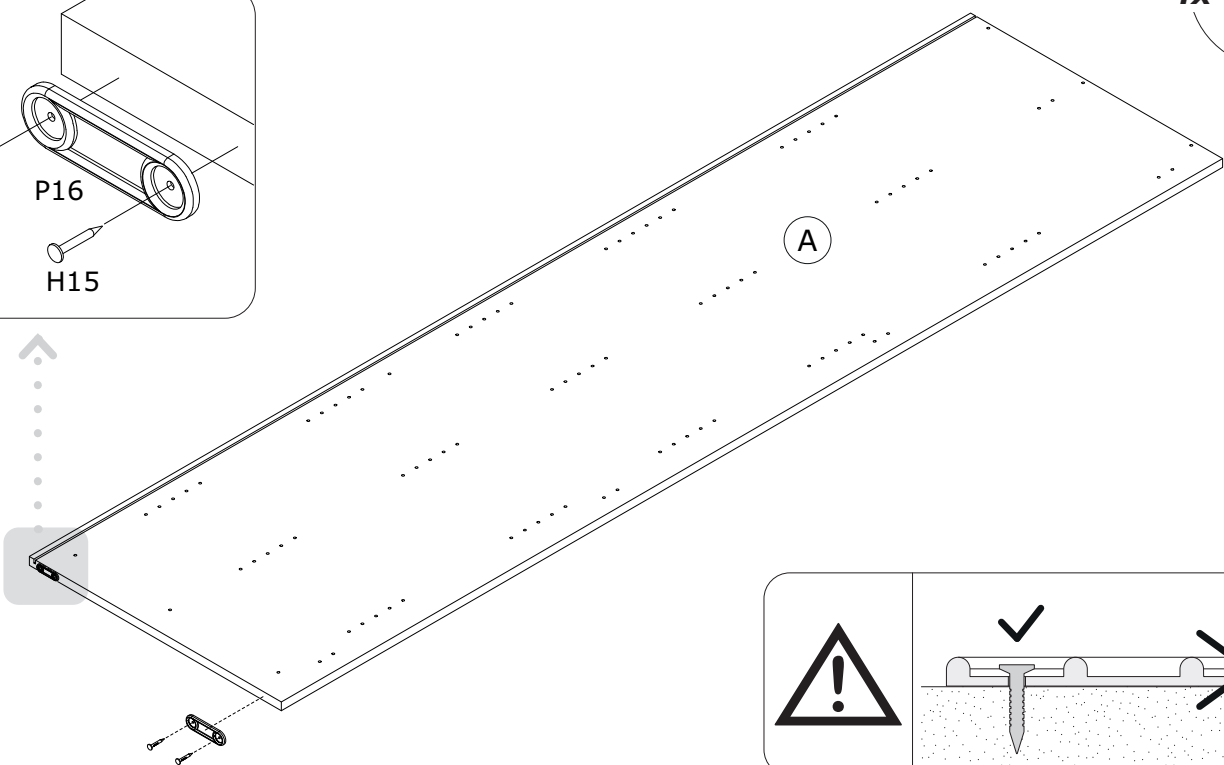
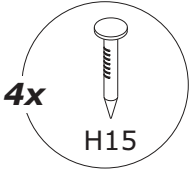
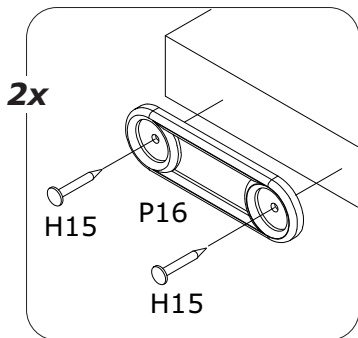
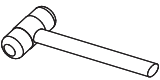
2x



2x

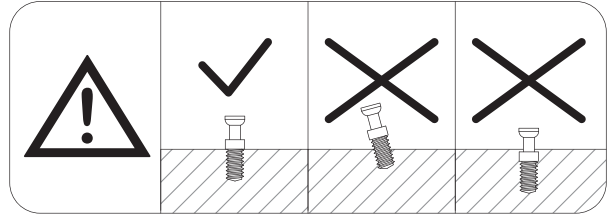
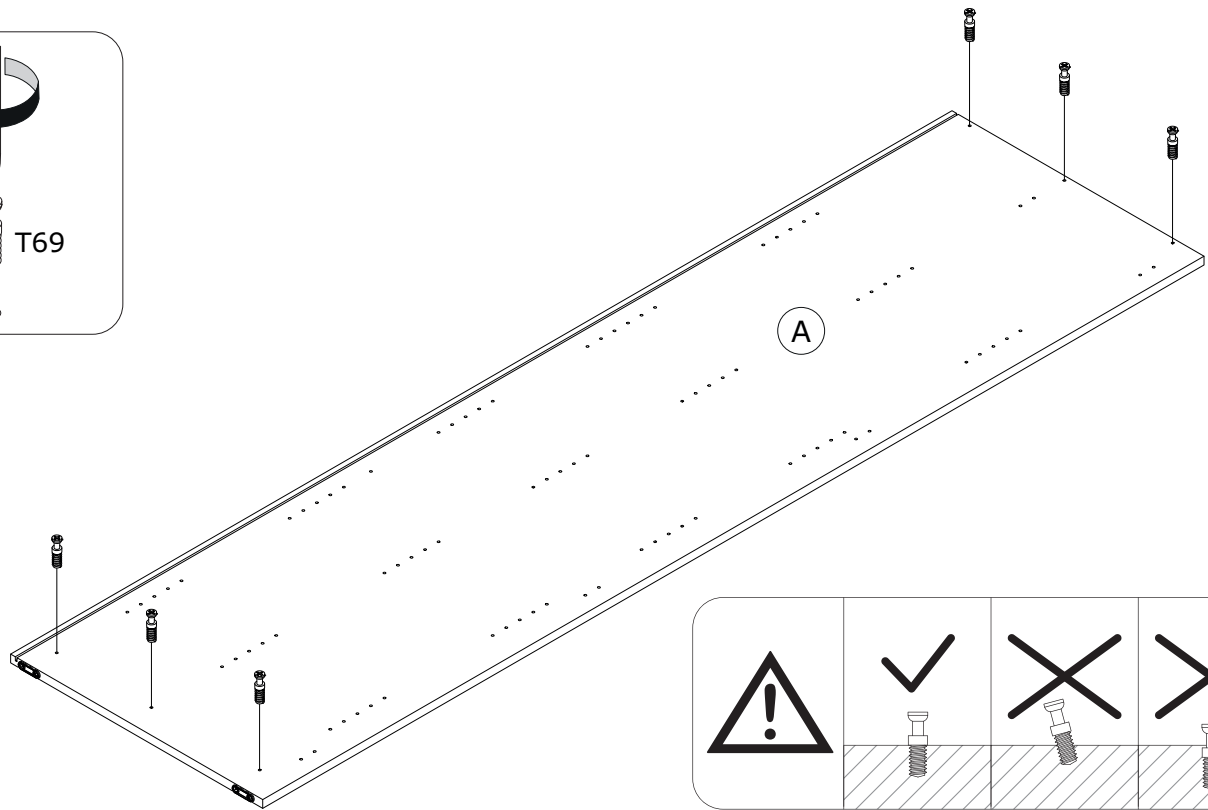
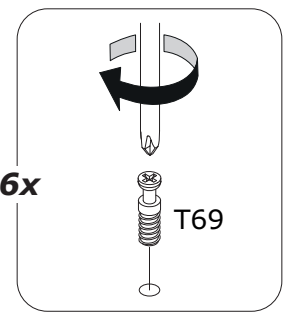
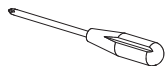
6

AR8969K-0413

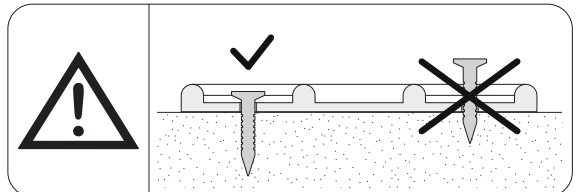
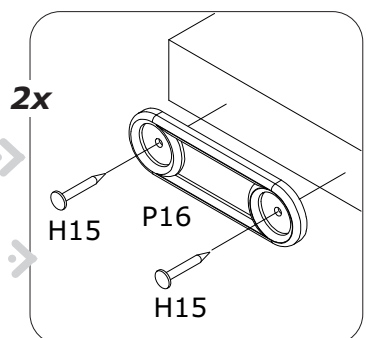
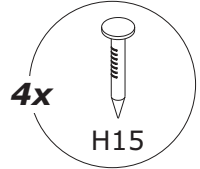
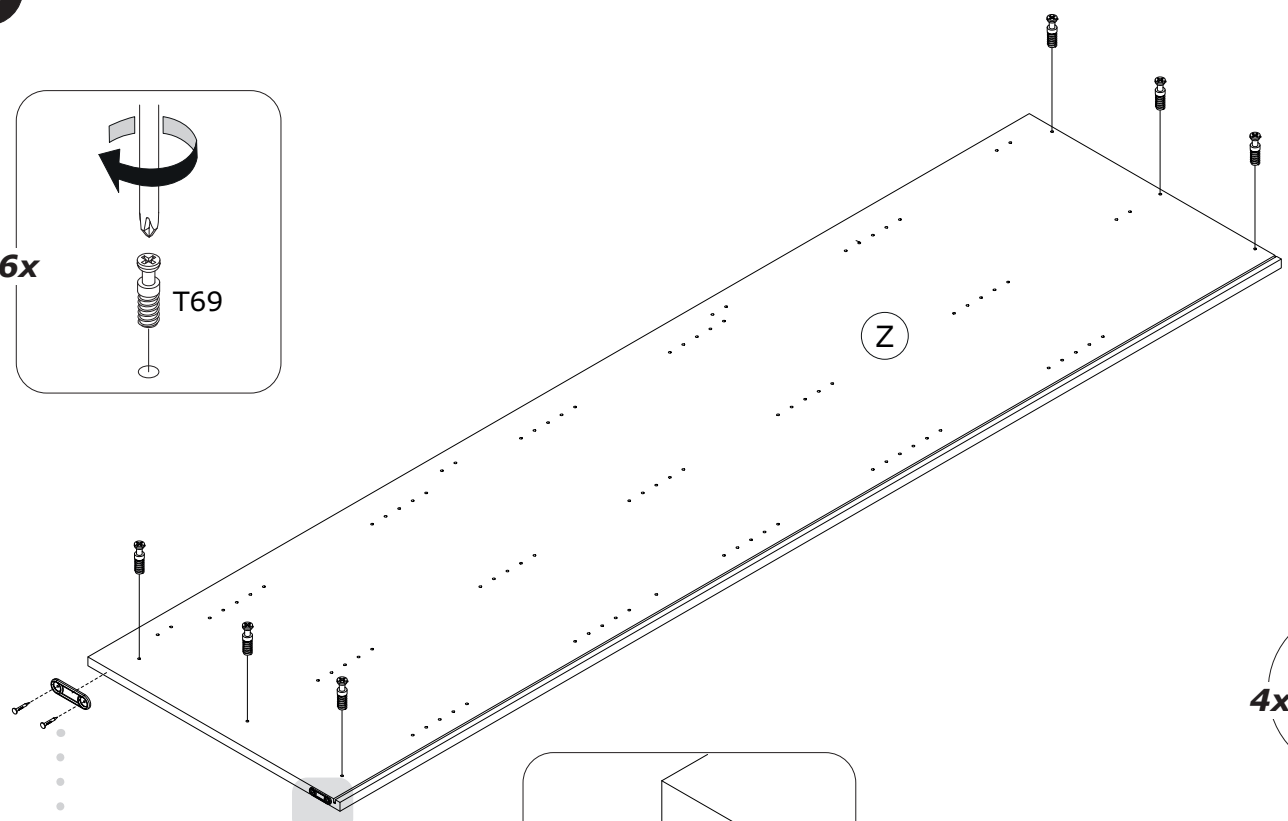
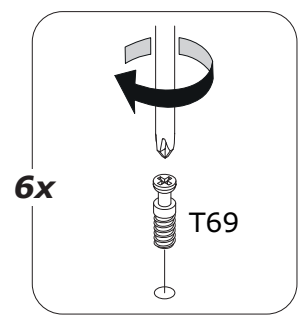
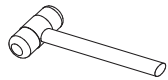


7

AR8969K-0413



8



9

