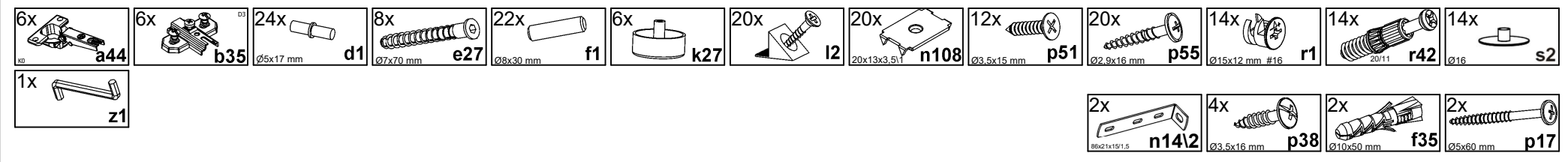
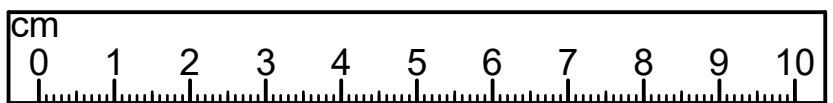
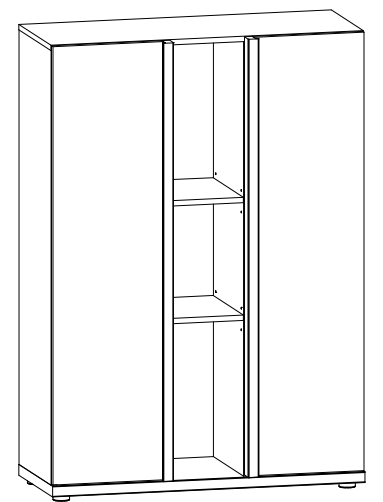
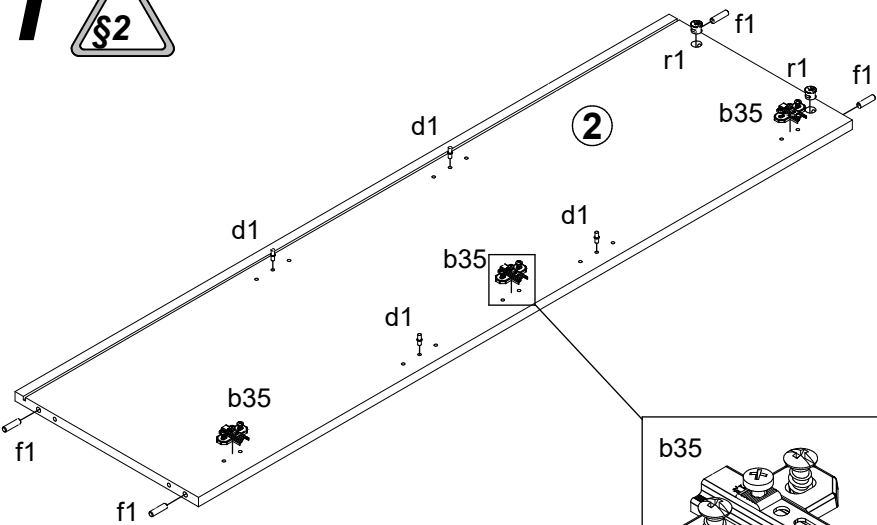


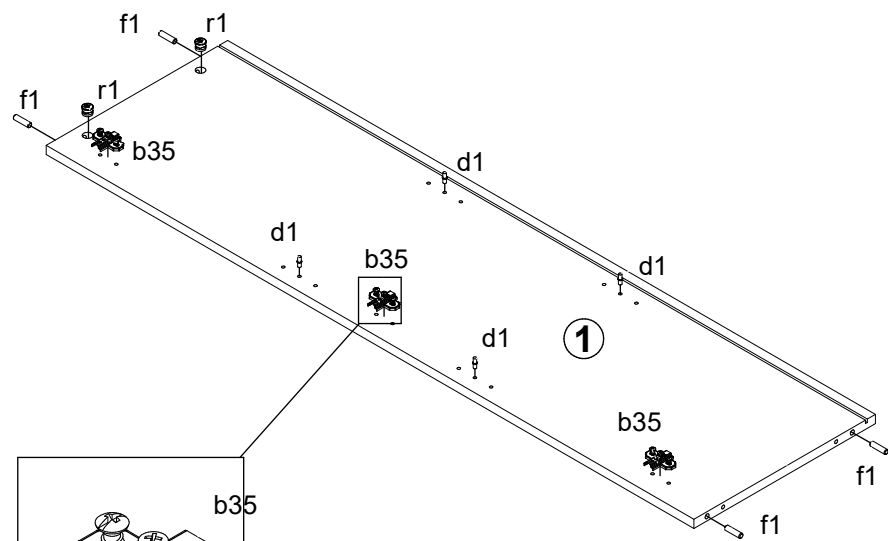
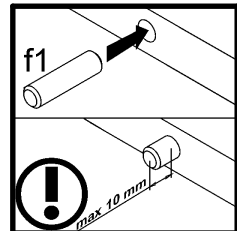
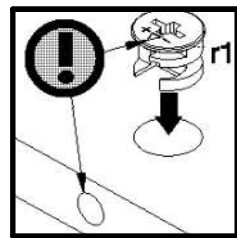
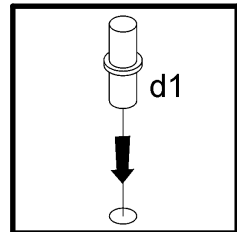
A	B	C (mm)		D
1	S288-1001	1284	360	2/2
2	S288-1002	1284	360	2/2
3	S288-1003	1284,	340	2/2
4	S288-1004	1284,	340	2/2
5	S288-2001	941	360	1/2
6	S288-2002	941	379,	1/2
7	S288-3001	327	340	1/2
8	S288-3002	219	340	1/2
9	S288-5001	1295	32,	1/2
10	S288-7301	1295	332	2/2
11	S288-9001	1294	341	1/2
12	S288-9002	1294	236	1/2



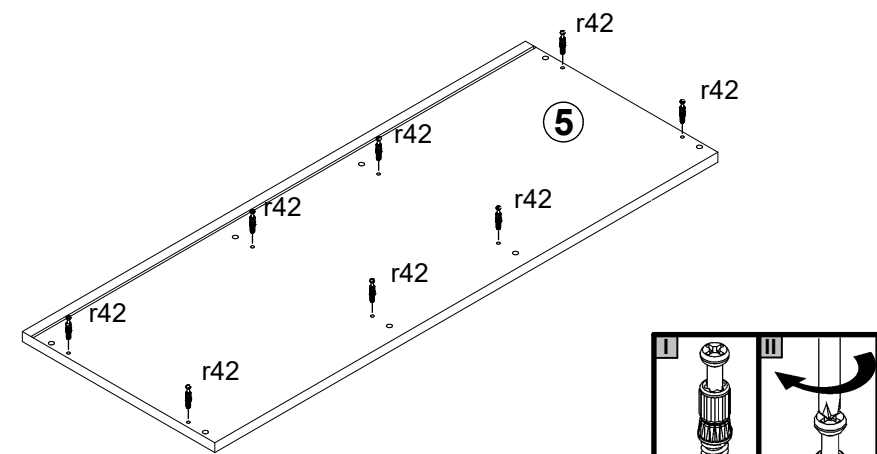
1



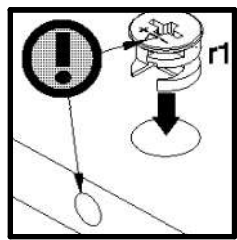
- 4x f1 Ø8x30 mm
- 2x r1 Ø15x12 mm #16
- 3x b35 Ø5x17 mm
- 4x d1 Ø5x17 mm



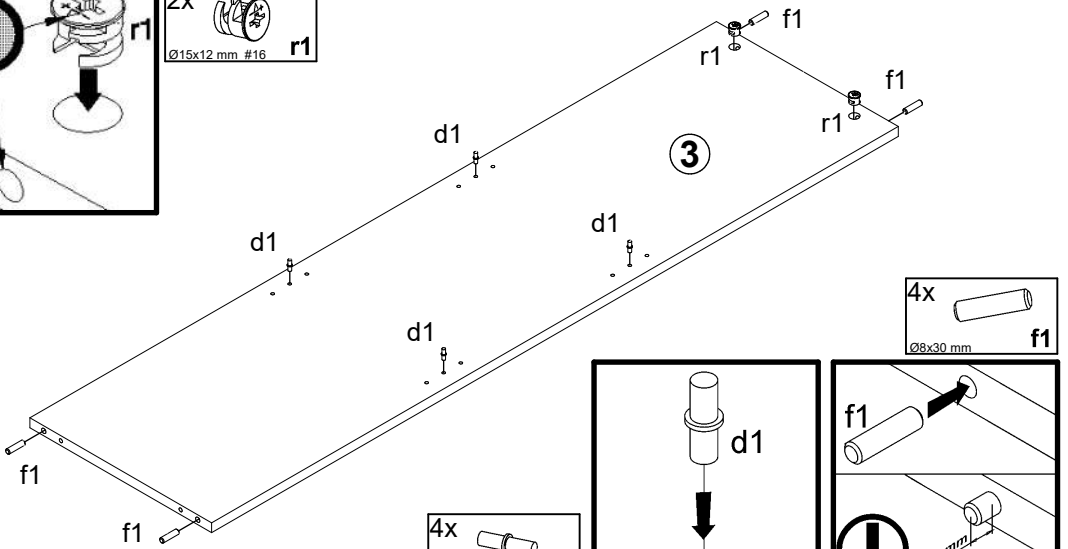
- 3x b35 Ø5x17 mm
- 4x f1 Ø8x30 mm
- 2x r1 Ø15x12 mm #16
- 4x d1 Ø5x17 mm



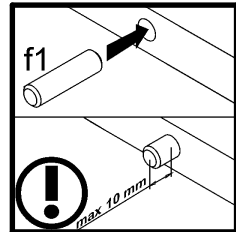
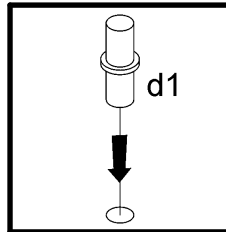
- 8x r42 Ø20x11



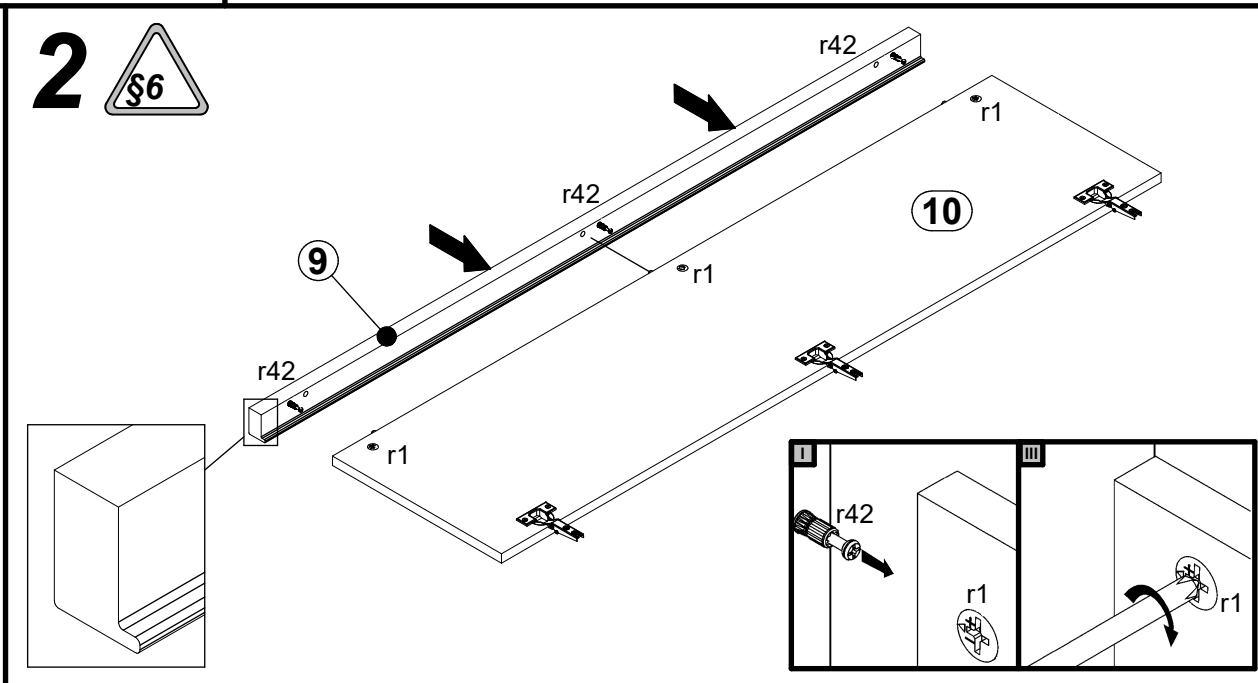
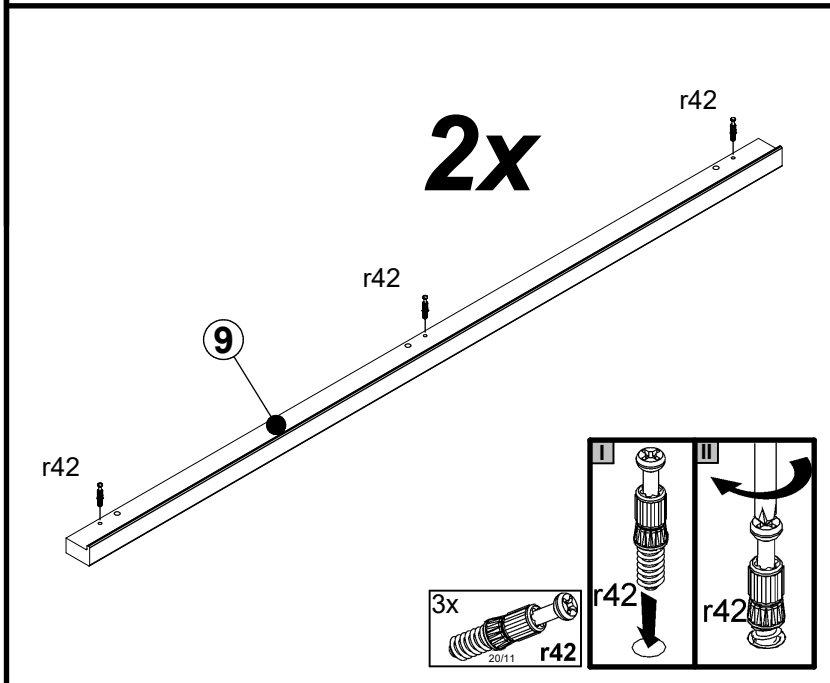
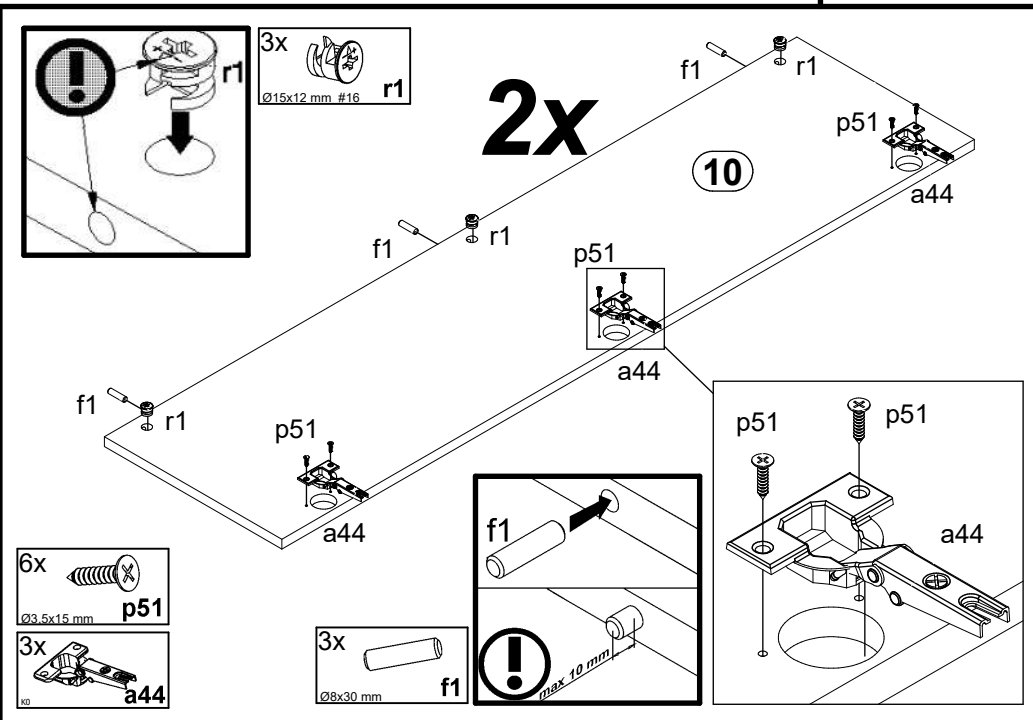
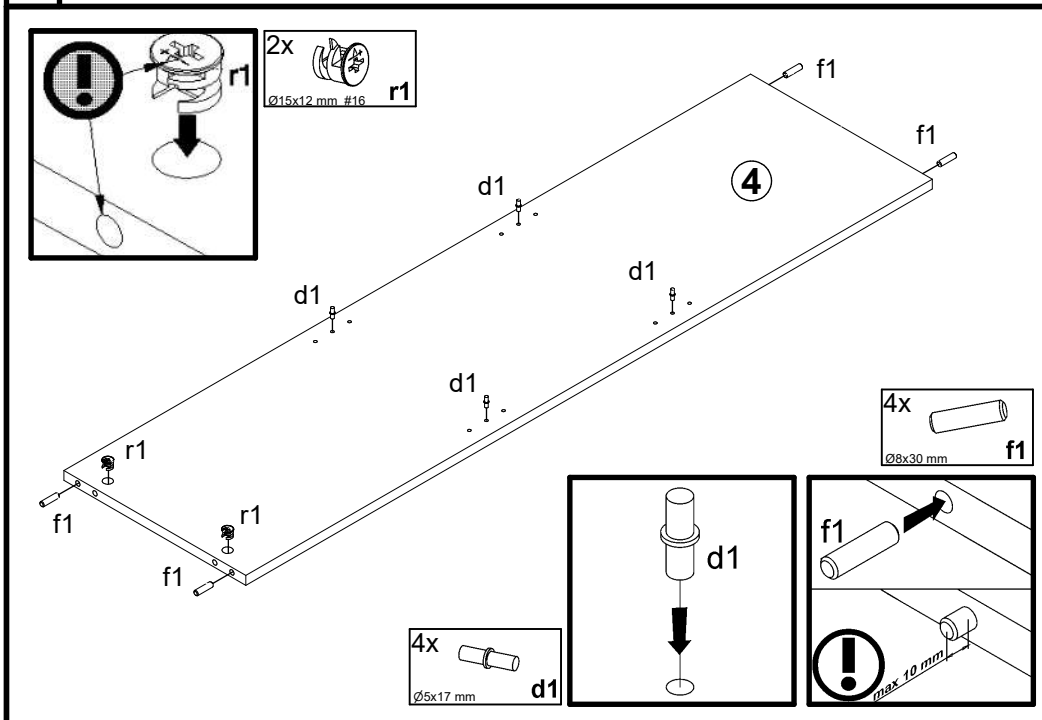
- 2x r1 Ø15x12 mm #16



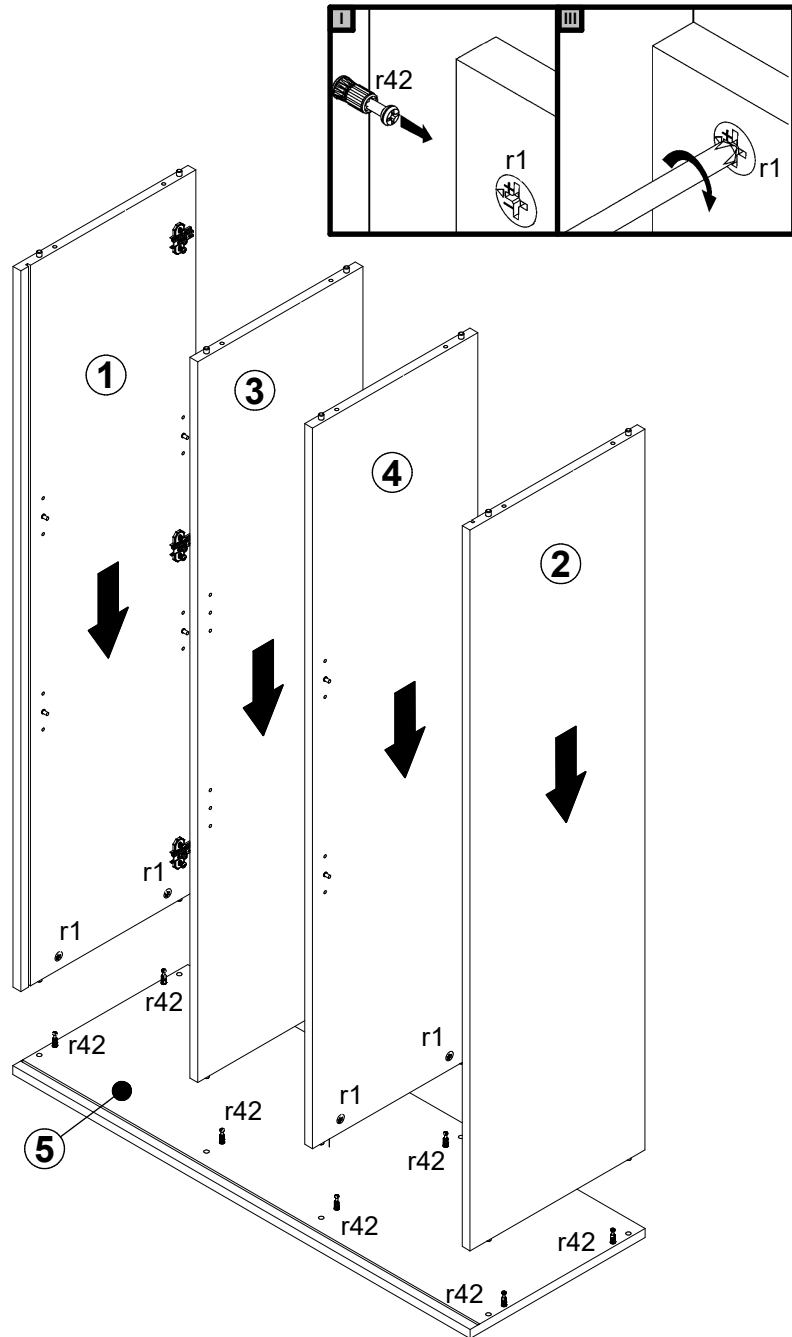
- 4x d1 Ø5x17 mm



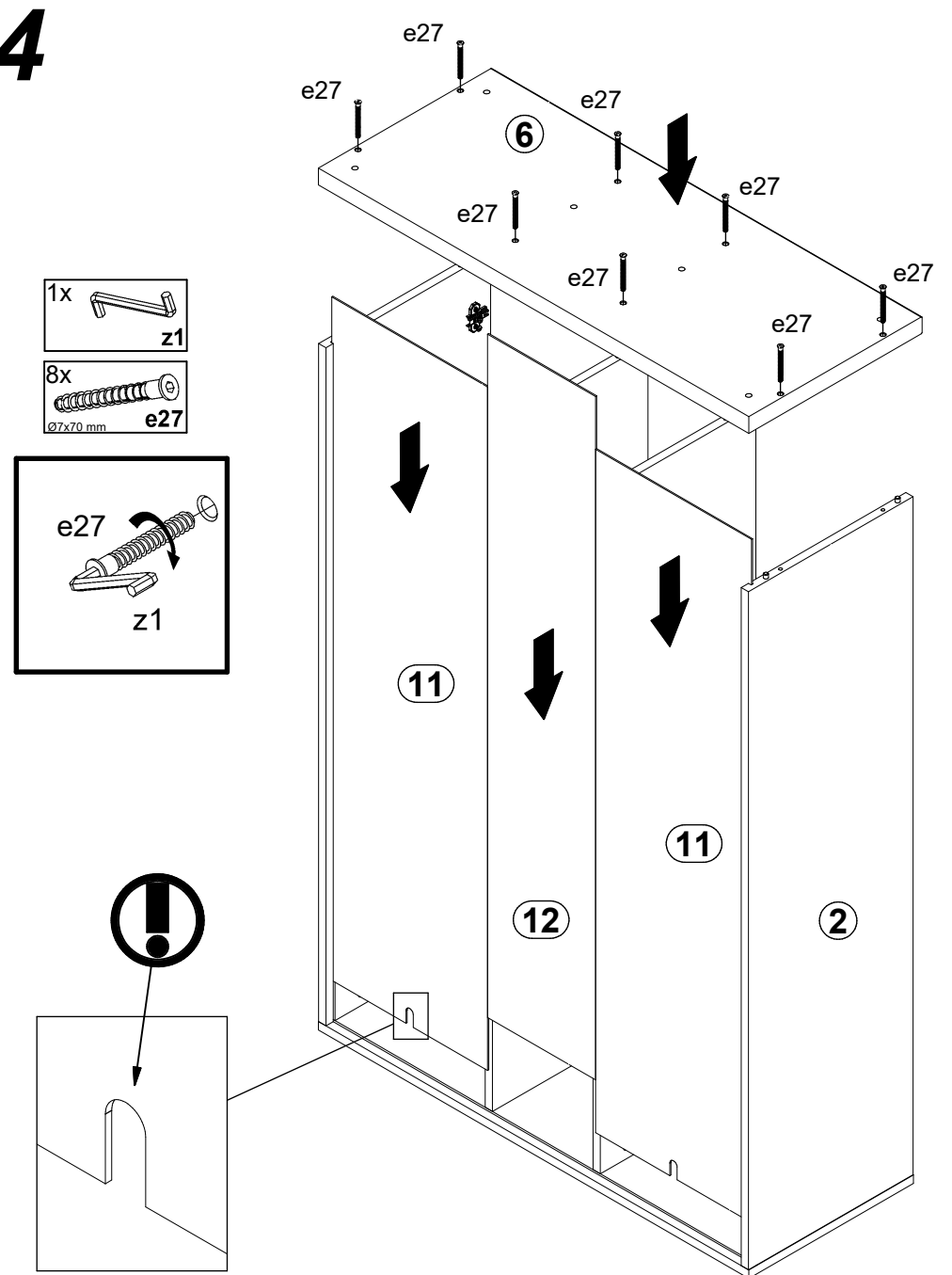
- 4x f1 Ø8x30 mm



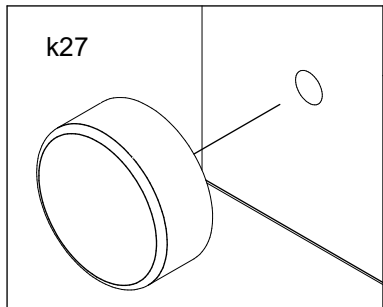
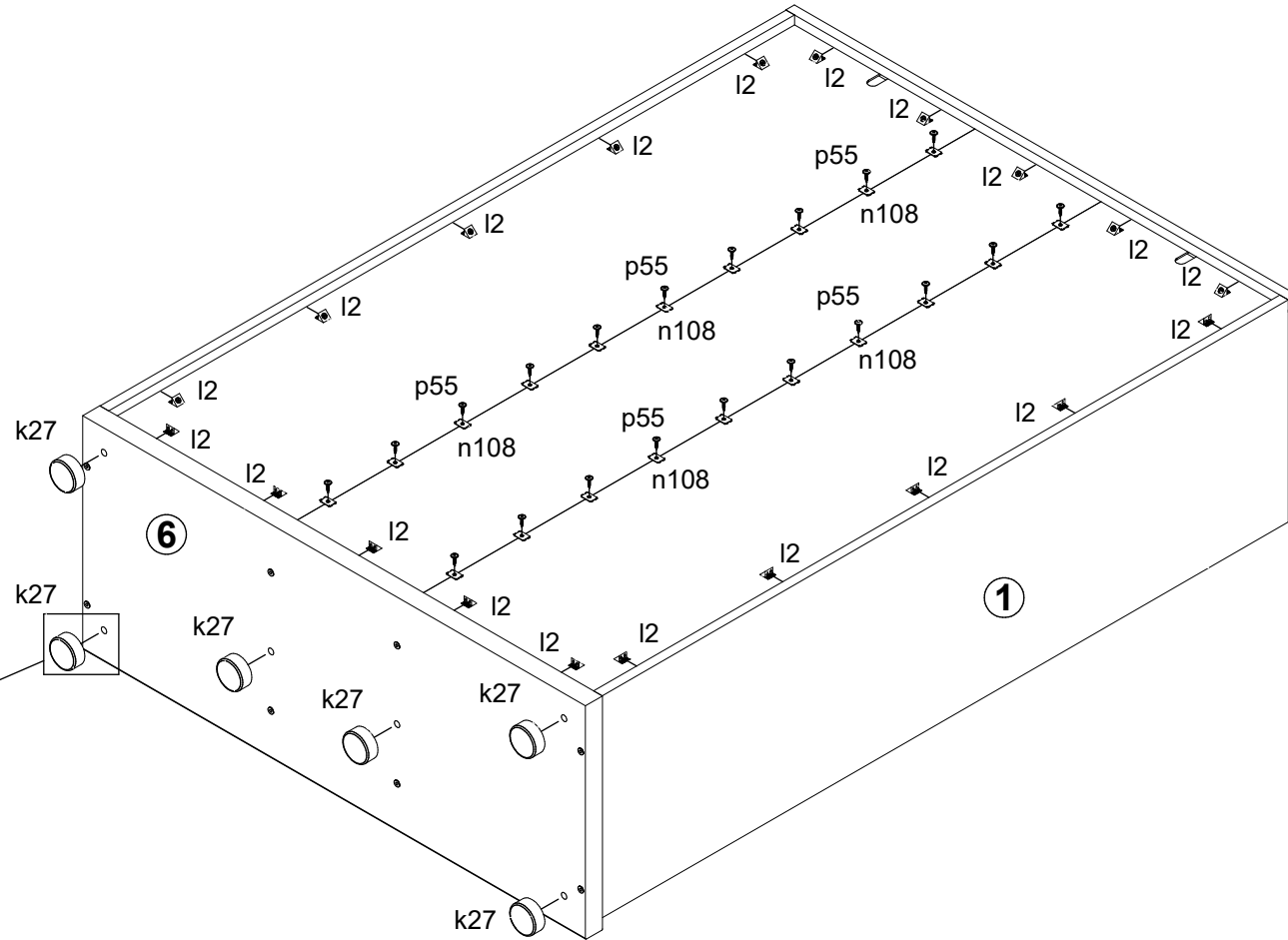
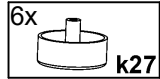
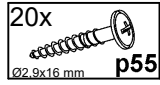
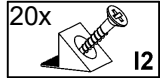
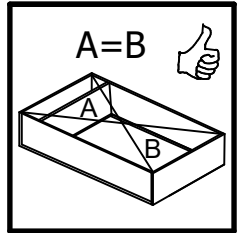
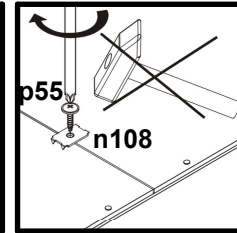
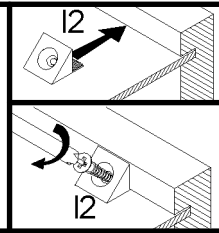
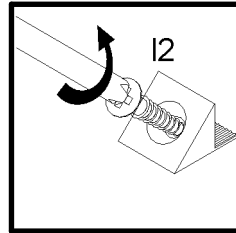
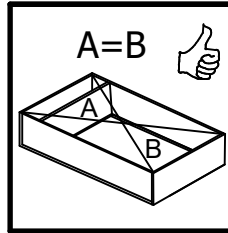
3



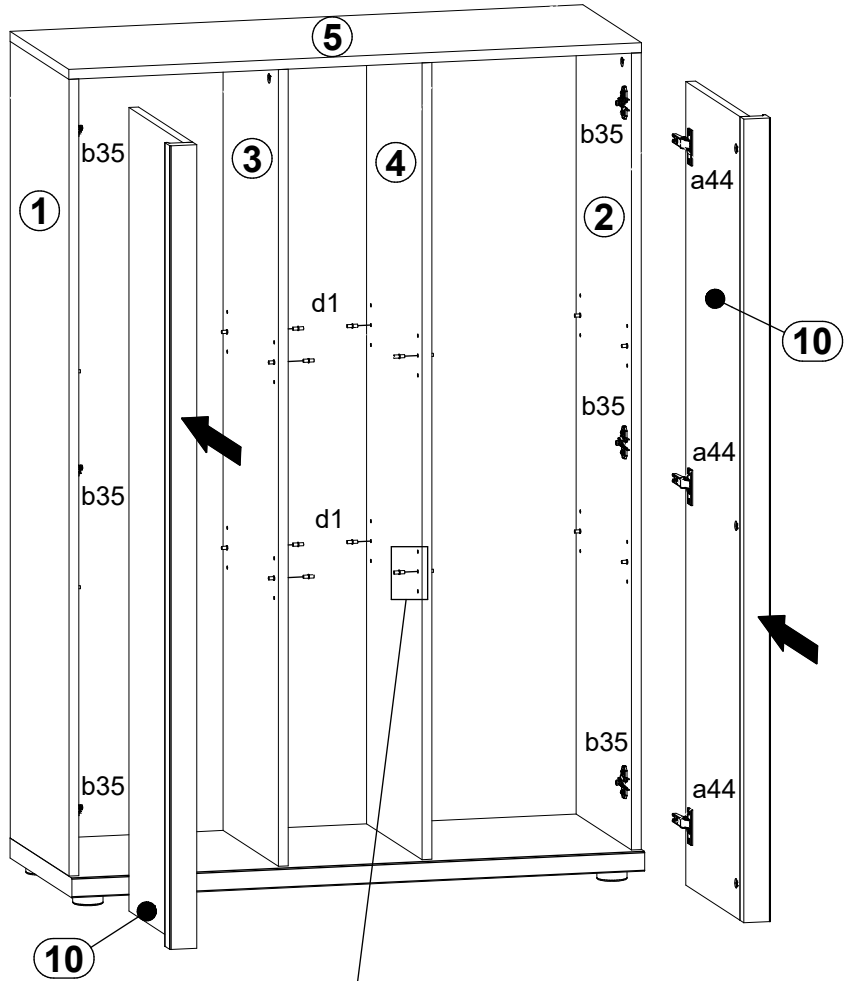
4



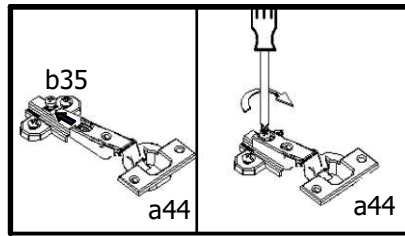
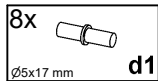
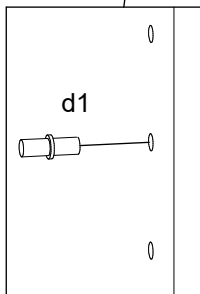
5



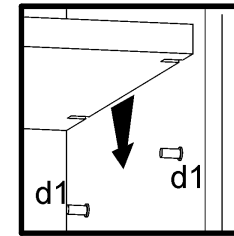
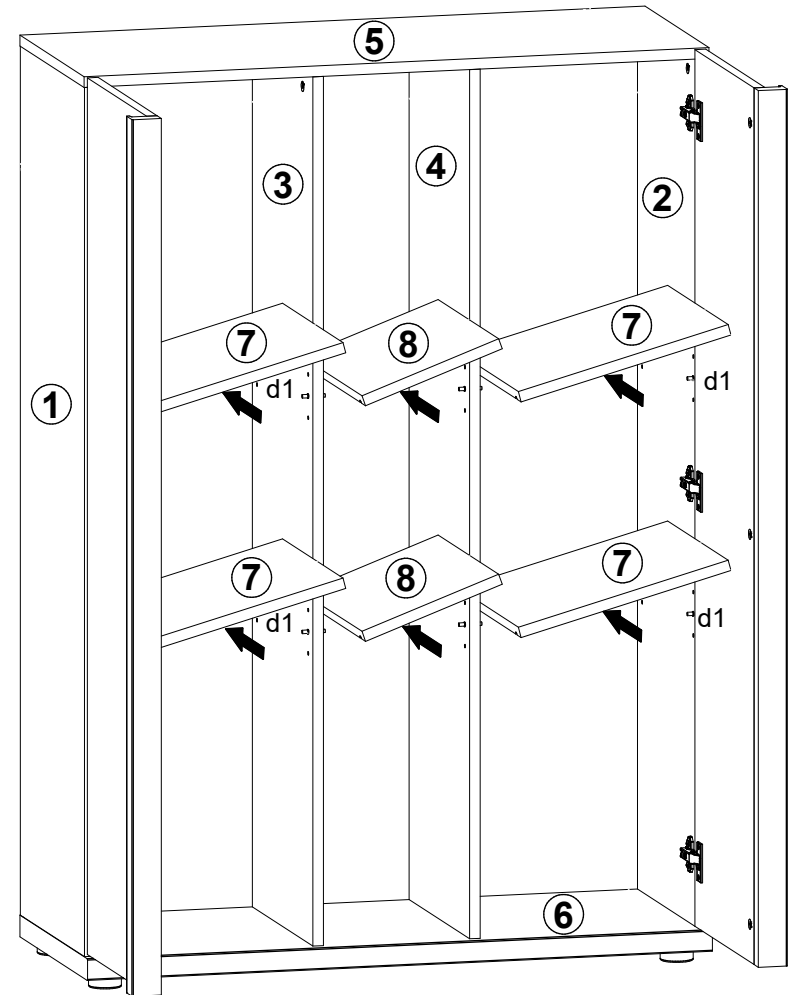
6



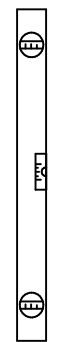
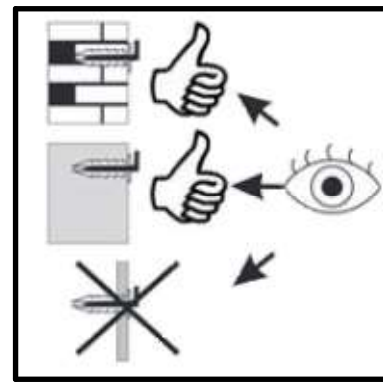
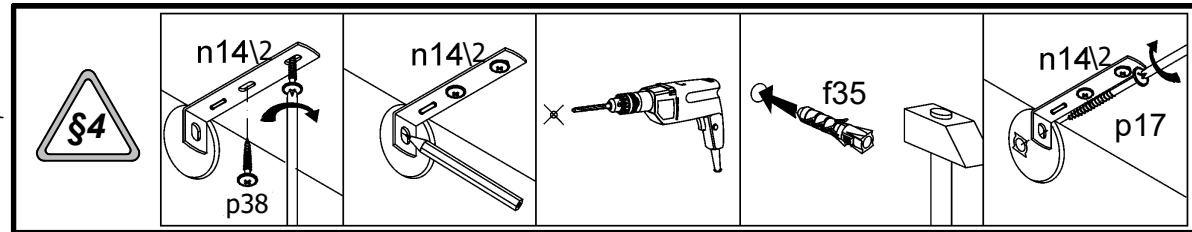
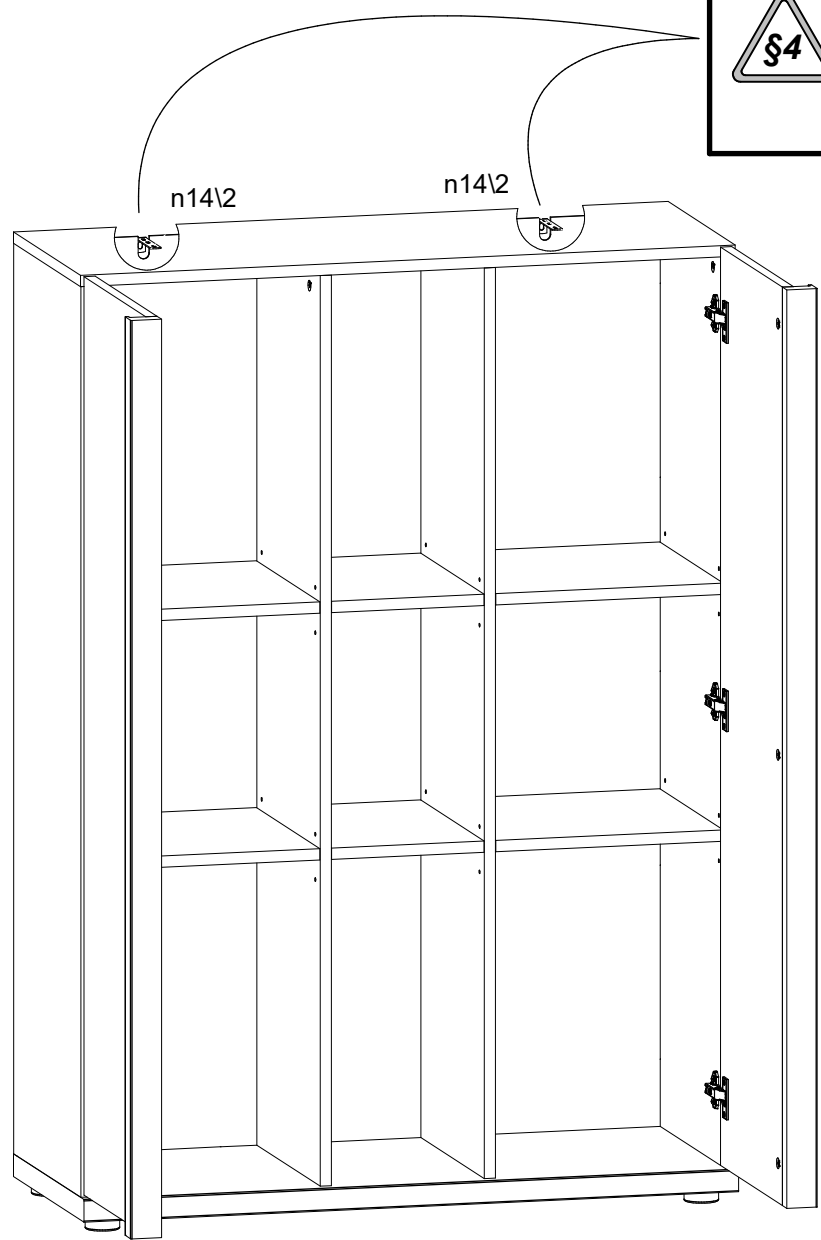
10



7



8



- | | |
|-----------------------------------|--------------------------------|
| 2x
88x21x15/1.5
n142 | 4x
Ø3.5x16 mm
p38 |
| 2x
Ø10x50 mm
f35 | 2x
Ø5x60 mm
p17 |

9

